



US00D725506S

(12) **United States Design Patent**
Bucheder

(10) **Patent No.:** **US D725,506 S**
(45) **Date of Patent:** **** Mar. 31, 2015**

(54) **CASING FOR MEASURING INSTRUMENT**

(56) **References Cited**

(71) Applicant: **E+E Elektronik Ges.m.b.H.**,
Engerwitzdorf (AT)
(72) Inventor: **Erwin Bucheder**, Voecklabruck (AT)
(73) Assignee: **E+E Elektronik Ges.m.b.H.**,
Engerwitzdorf (AT)

U.S. PATENT DOCUMENTS

D375,904 S * 11/1996 Fukuda D10/50
D698,670 S * 2/2014 Luo et al. D10/49
2009/0288484 A1 * 11/2009 Selvan et al. 73/335.02
2014/0269821 A1 * 9/2014 Egley et al. 374/54

(**) Term: **14 Years**
(21) Appl. No.: **29/469,973**
(22) Filed: **Oct. 16, 2013**

* cited by examiner

Primary Examiner — Antoine D Davis
(74) *Attorney, Agent, or Firm* — Kenyon & Kenyon LLP

(30) **Foreign Application Priority Data**

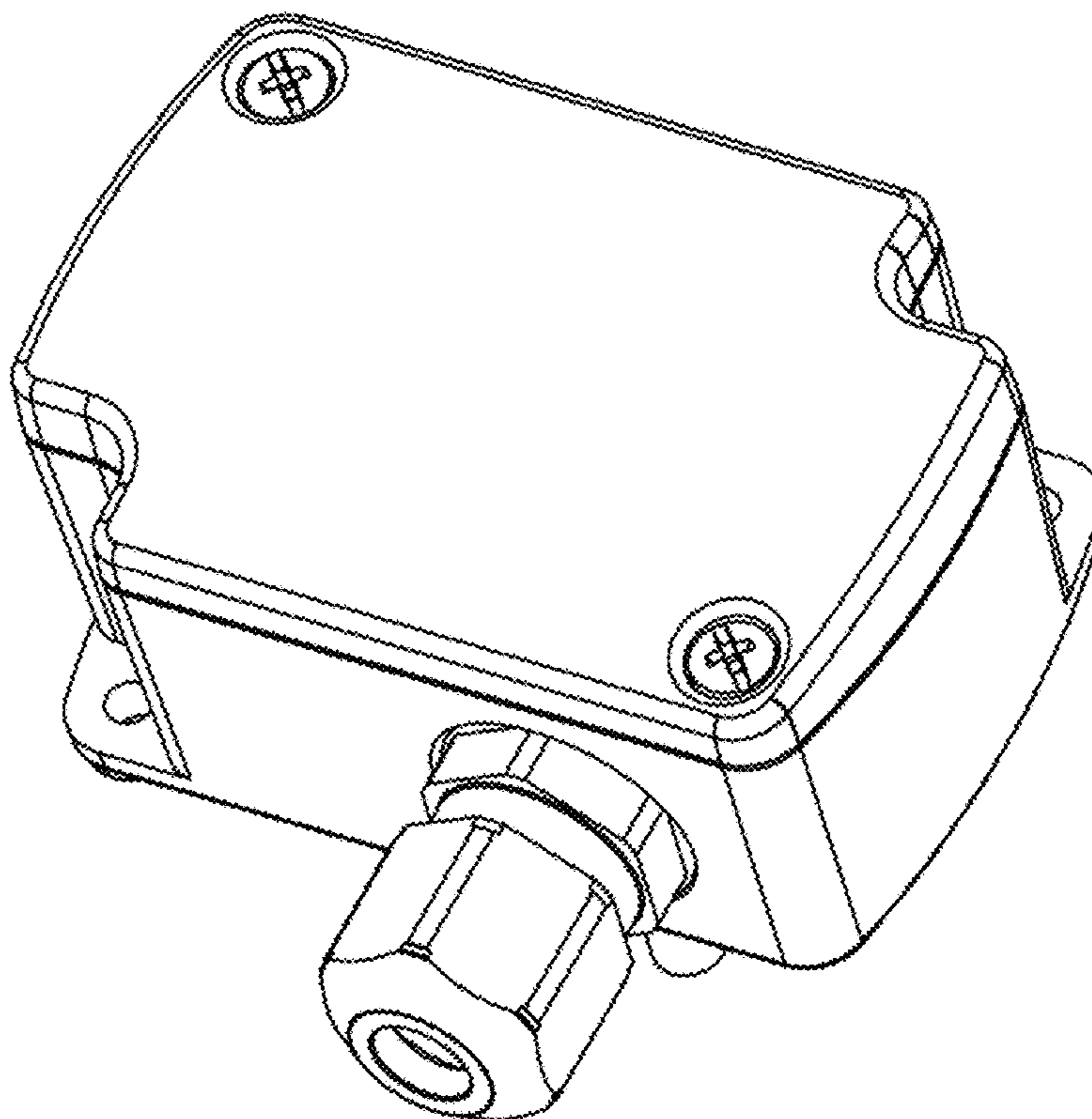
(57) **CLAIM**
The ornamental design for a casing for measuring instrument,
as shown and described.

Apr. 17, 2013 (EM) 002222265-0008
(51) **LOC (10) Cl.** **10-04**
(52) **U.S. Cl.**
USPC **D10/49**
(58) **Field of Classification Search**
CPC G01K 7/13; G01K 1/08–1/125; G01K
1/00–1/065
USPC D10/46, 49, 50
See application file for complete search history.

DESCRIPTION

FIG. 1 is a perspective view of an embodiment of a casing for measurement instrument showing my new design;
FIG. 2 is a top view thereof;
FIG. 3 is a front view thereof;
FIG. 4 is a first side view thereof;
FIG. 5 is a back view thereof;
FIG. 6 is a bottom view thereof; and,
FIG. 7 is a second side view thereof.

1 Claim, 7 Drawing Sheets



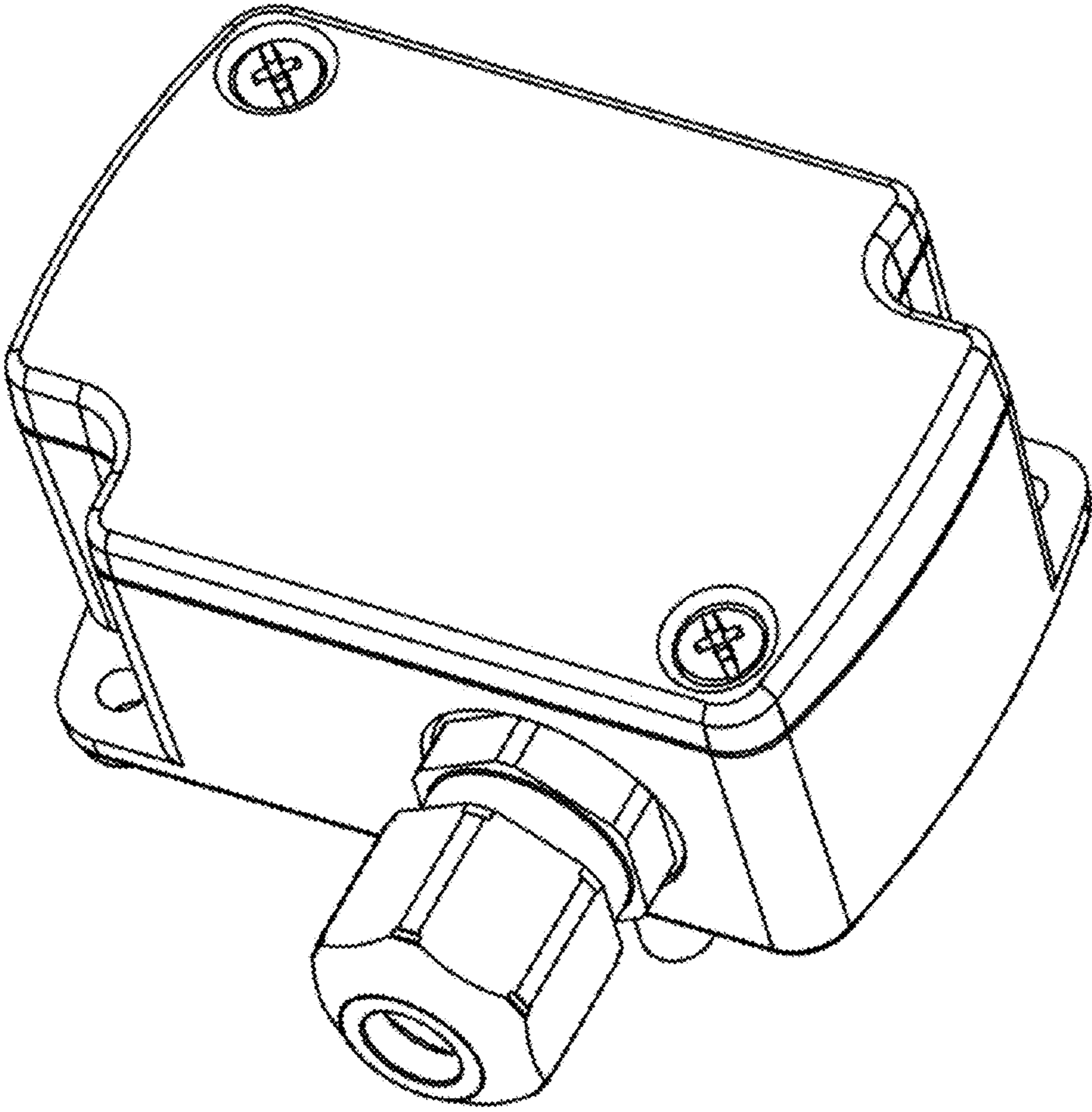


Figure 1

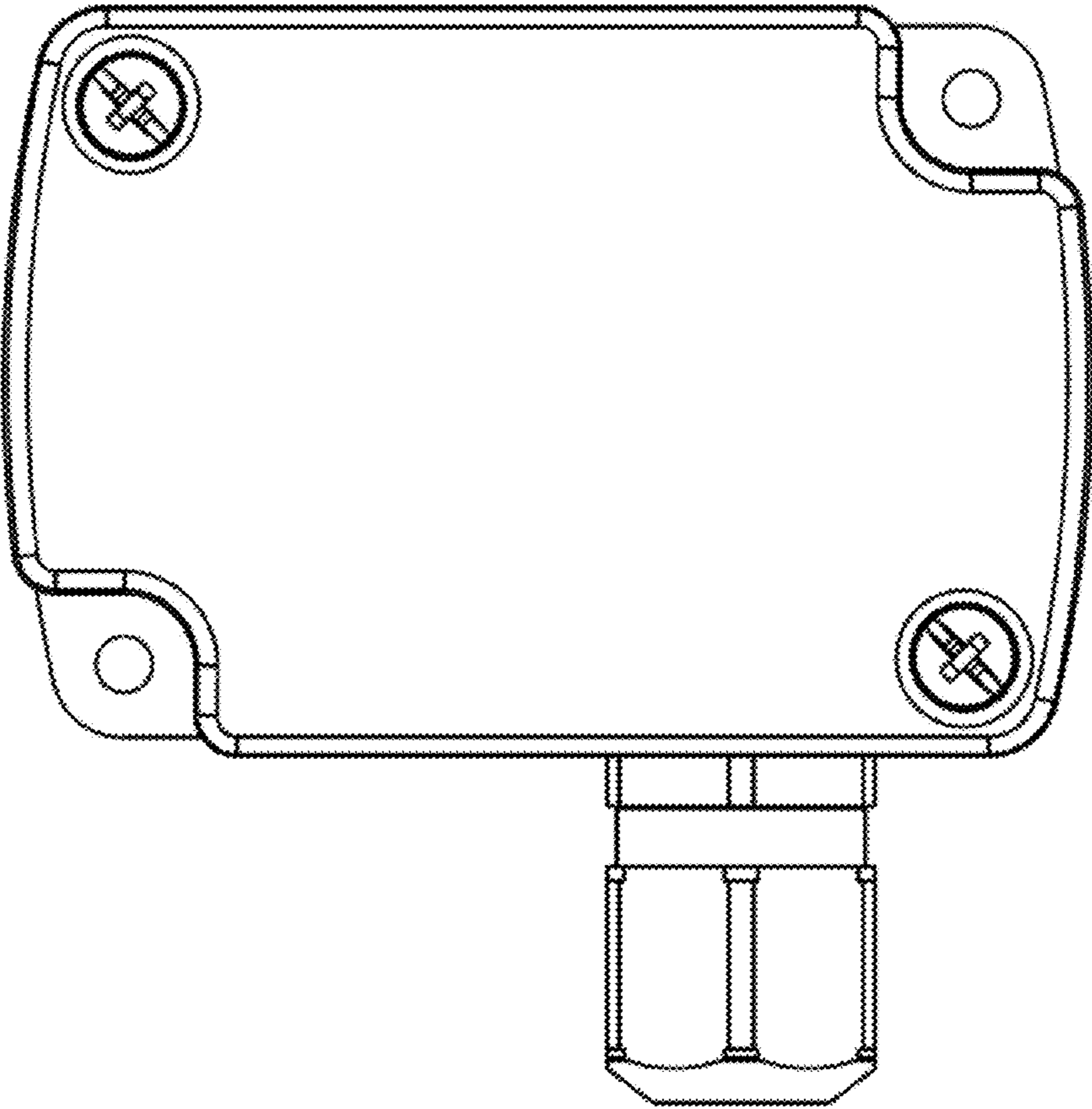


Figure 2

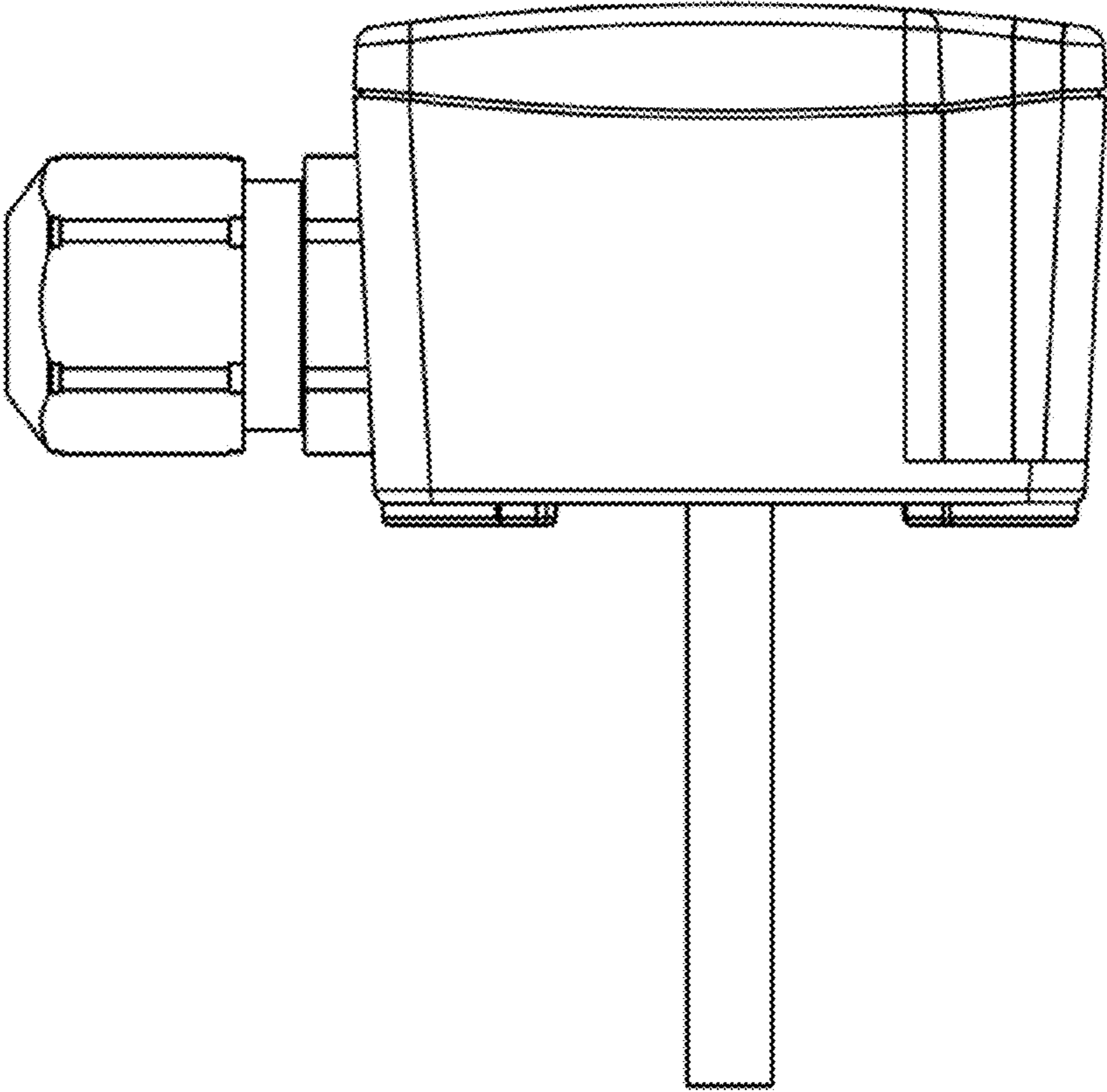


Figure 3

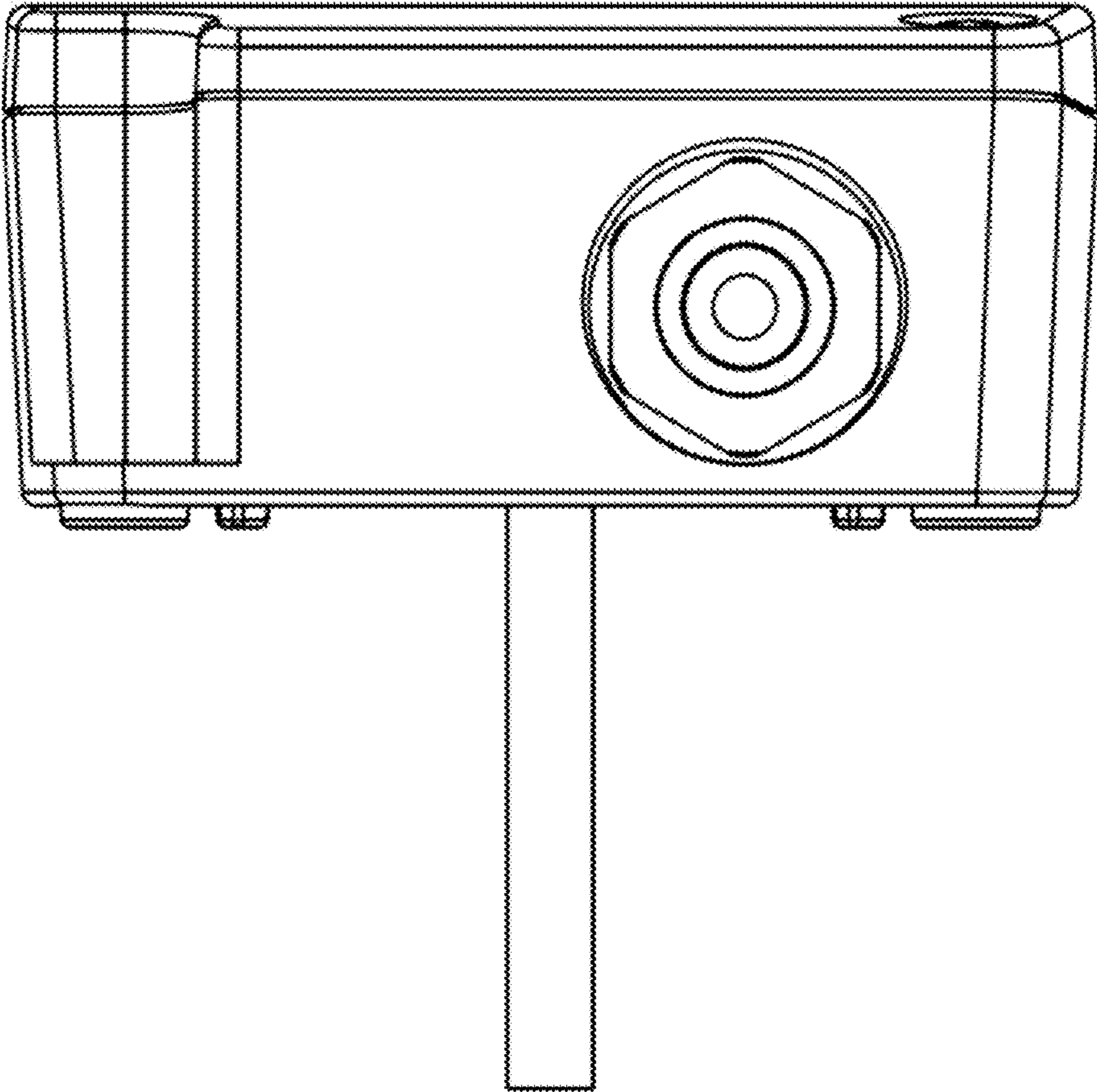


Figure 4

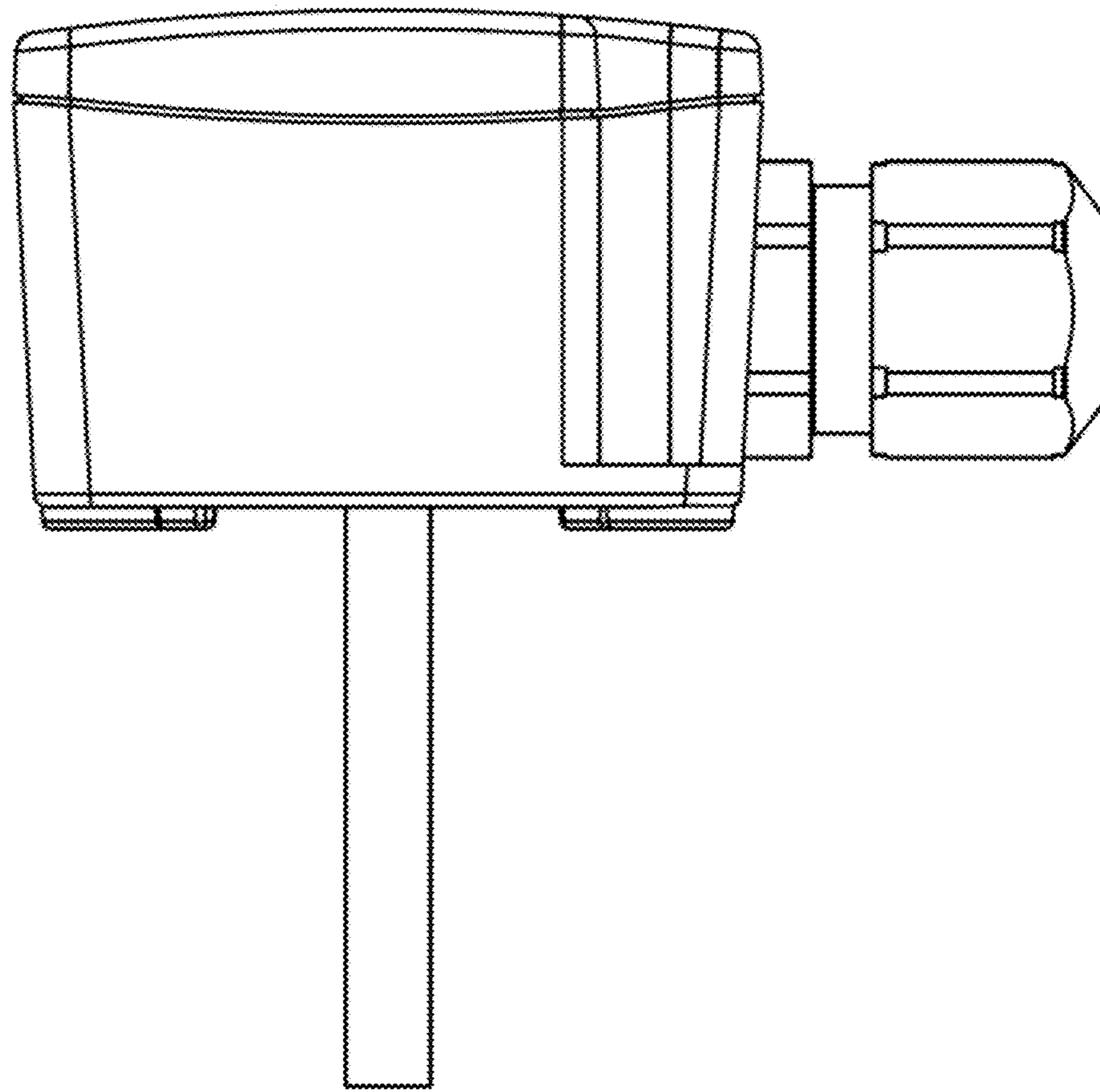


Figure 5

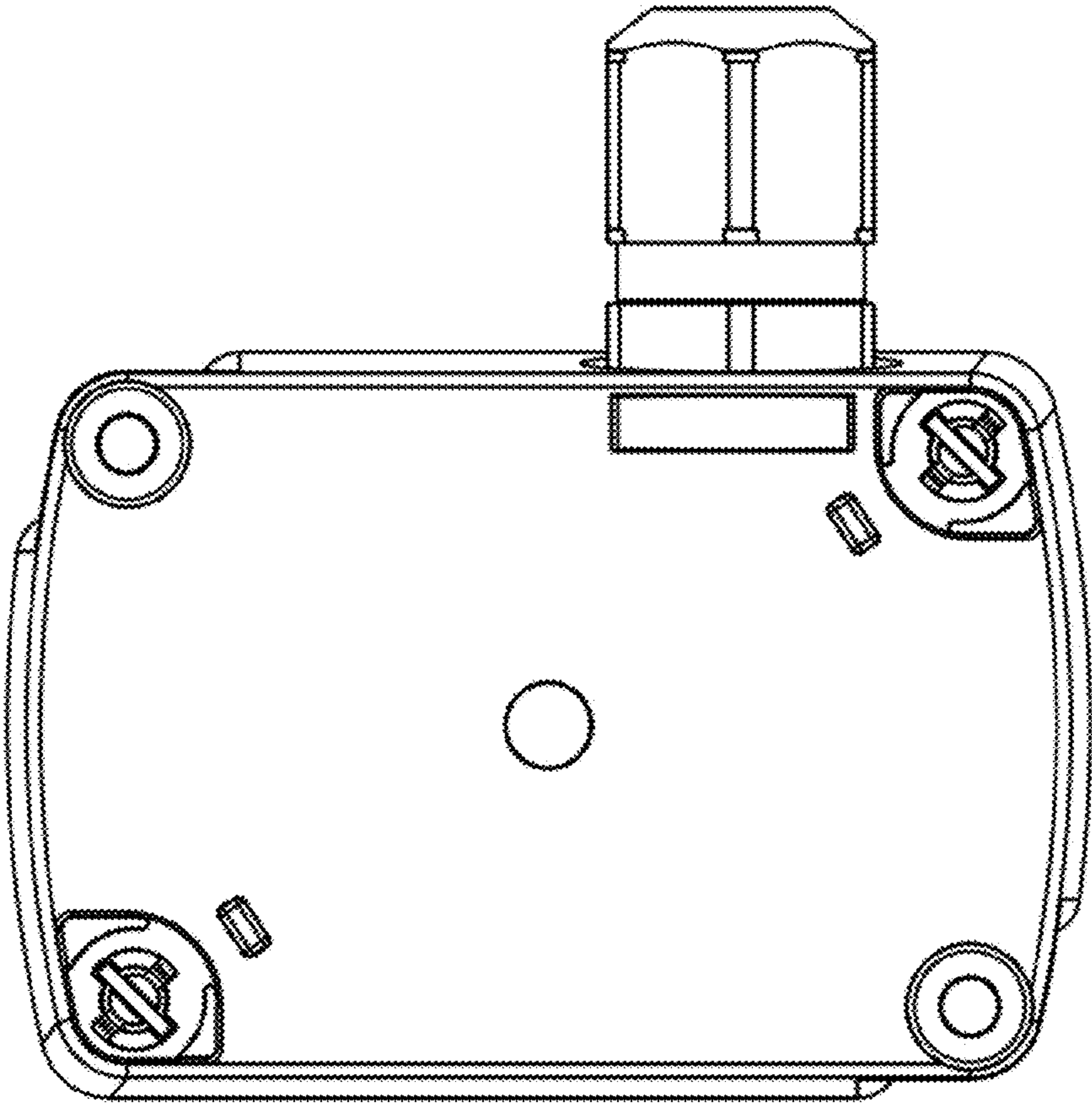


Figure 6

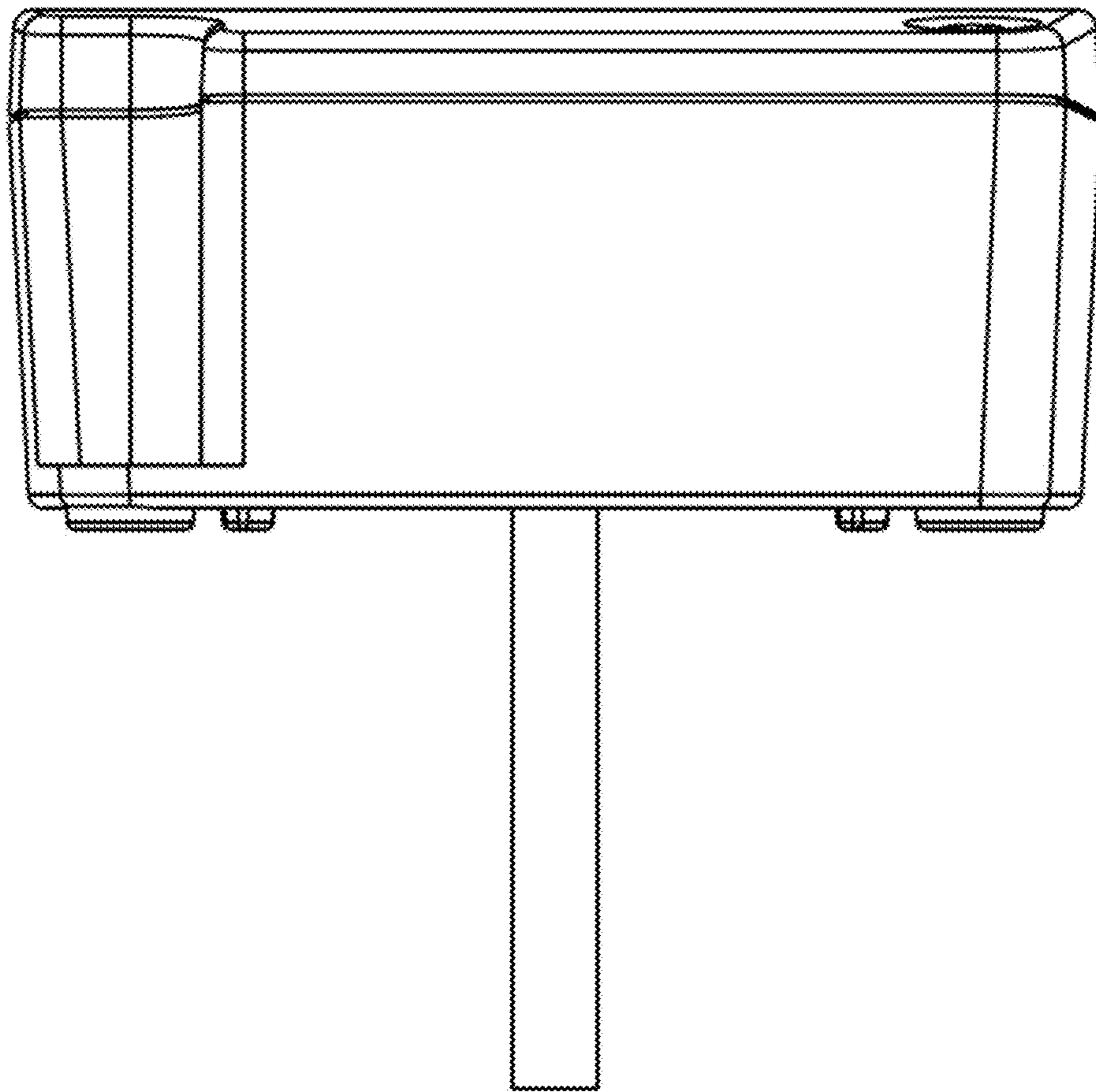


Figure 7