



US00D725505S

(12) **United States Design Patent**  
**Arensmeier et al.**

(10) **Patent No.:** **US D725,505 S**

(45) **Date of Patent:** **\*\* Mar. 31, 2015**

(54) **MONITORING MODULE**

700/159, 181, 276, 277, 278

See application file for complete search history.

(71) Applicants: **Jeff Arensmeier**, Fenton, MO (US);  
**Horst Jaeschke**, Imperial, MO (US)

(56) **References Cited**

(72) Inventors: **Jeff Arensmeier**, Fenton, MO (US);  
**Horst Jaeschke**, Imperial, MO (US)

U.S. PATENT DOCUMENTS

(73) Assignee: **Emerson Climate Technologies, Inc.**,  
Sidney, OH (US)

D580,800 S \* 11/2008 Hauk ..... D10/49  
D678,083 S \* 3/2013 Breuer et al. .... D10/49

\* cited by examiner

(\*\*) Term: **14 Years**

*Primary Examiner* — Antoine D Davis

(21) Appl. No.: **29/449,739**

(74) *Attorney, Agent, or Firm* — Harness, Dickey & Pierce,  
P.L.C.

(22) Filed: **Mar. 15, 2013**

(51) **LOC (10) Cl.** ..... **10-04**

(57) **CLAIM**

(52) **U.S. Cl.**  
USPC ..... **D10/49**

The ornamental design for a monitoring module, as shown  
and described.

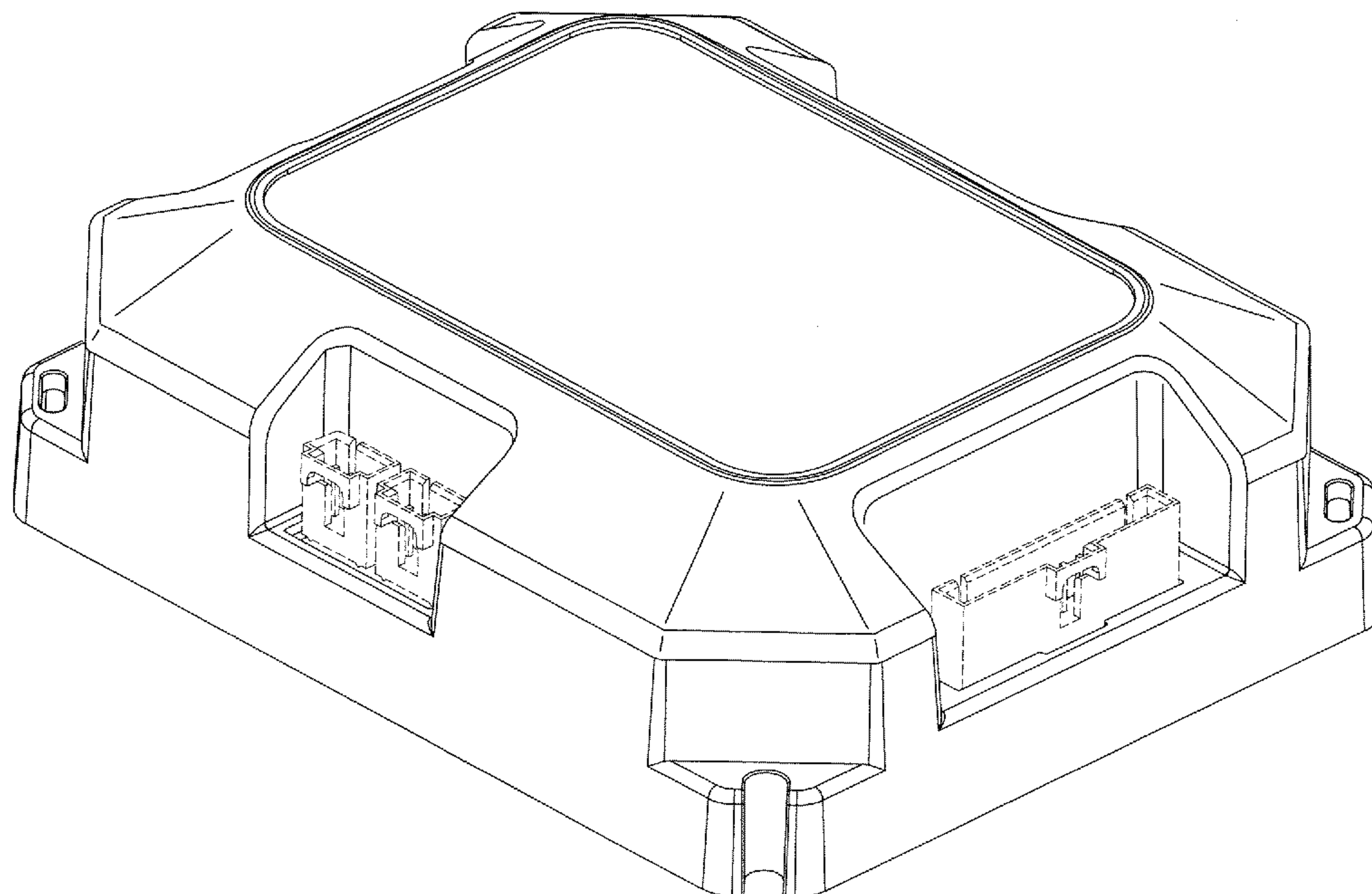
(58) **Field of Classification Search**

**DESCRIPTION**

CPC ..... F23N 5/20; F23N 5/203; F23N 5/206;  
F23N 5/18; F23N 5/184; F23N 5/187; F23N  
5/22; F23N 2025/12; F23N 2041/02; F24F  
11/00; F24F 11/0012; F24F 11/0009; F24F  
11/001; F24F 2011/0057; F24F 2011/0073;  
F24F 2011/0091  
USPC ..... D10/49–50, 103; D13/162; 55/279,  
55/DIG. 7; 62/176.6, 125–130, 78, 180,  
62/186; 73/23.2, 23.34, 31.01, 31.02, 431,  
73/170.16–170.19, 170.21–170.25,  
73/863.12, 29.02, 335.01–335.14;  
220/3.2; 236/46 R, 47, 94, 44 C, 44 R,  
236/49.3, 44 A, 96, 1 B, 1 C, 1 E, 1 EA, 1 EB,  
236/1 F, 1 G, 1 H, 9 R; 337/112, 327, 360;  
340/602, 627, 632, 634; 349/56–72;  
454/229, 239, 256, 257, 258; 700/18,

FIG. 1 is a top front perspective view of a monitoring module;  
FIG. 2 is a bottom rear perspective view of the monitoring  
module;  
FIG. 3 is a front view of the monitoring module;  
FIG. 4 is a rear view of the monitoring module;  
FIG. 5 is a top view of the monitoring module;  
FIG. 6 is a bottom view of the monitoring module;  
FIG. 7 is a left side view of the monitoring module; and,  
FIG. 8 is a right side view of the monitoring module.  
The broken lines in the drawings show the environment in  
which the design is associated but form no part of the claimed  
design.

**1 Claim, 5 Drawing Sheets**



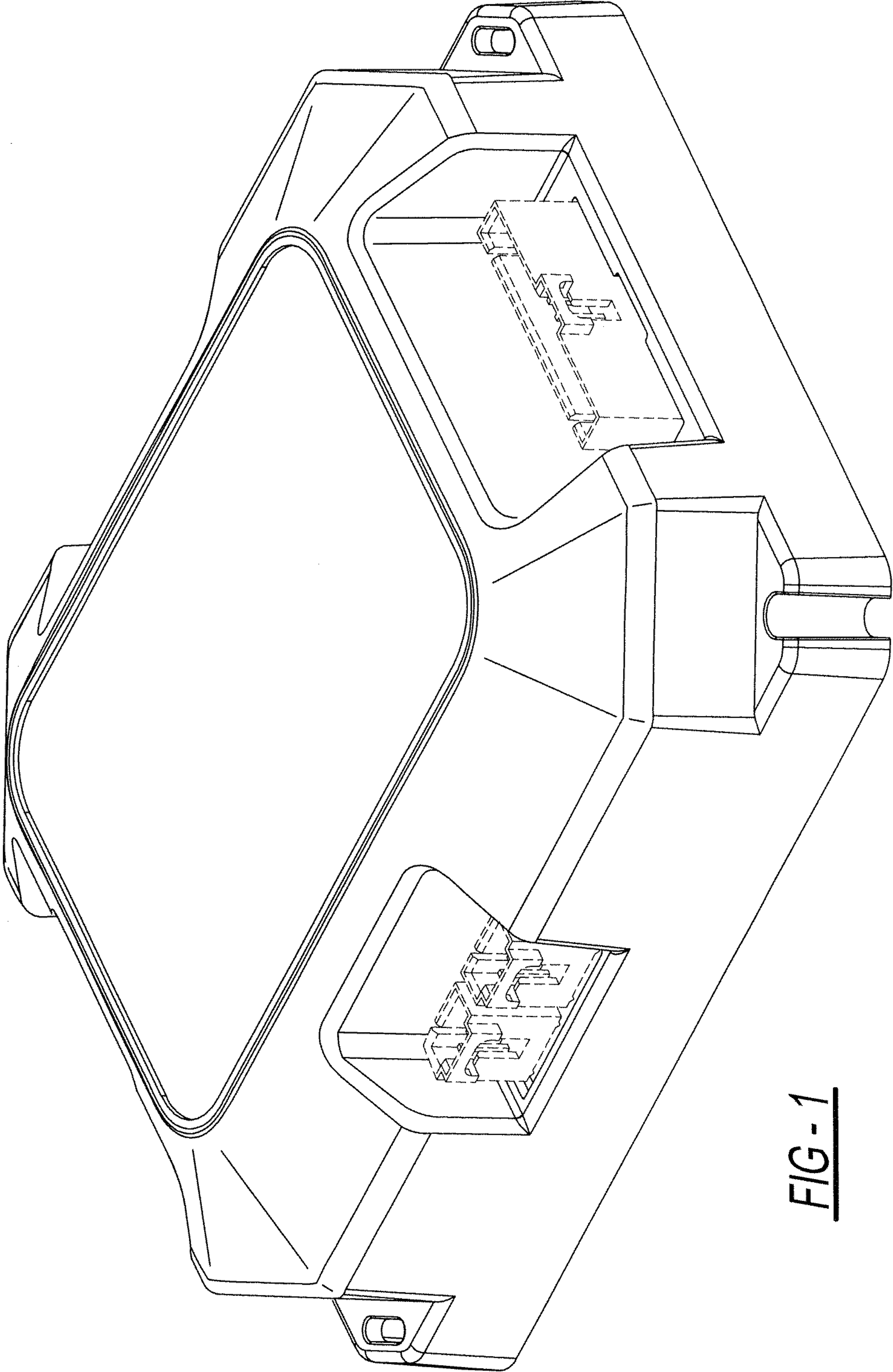


FIG-1

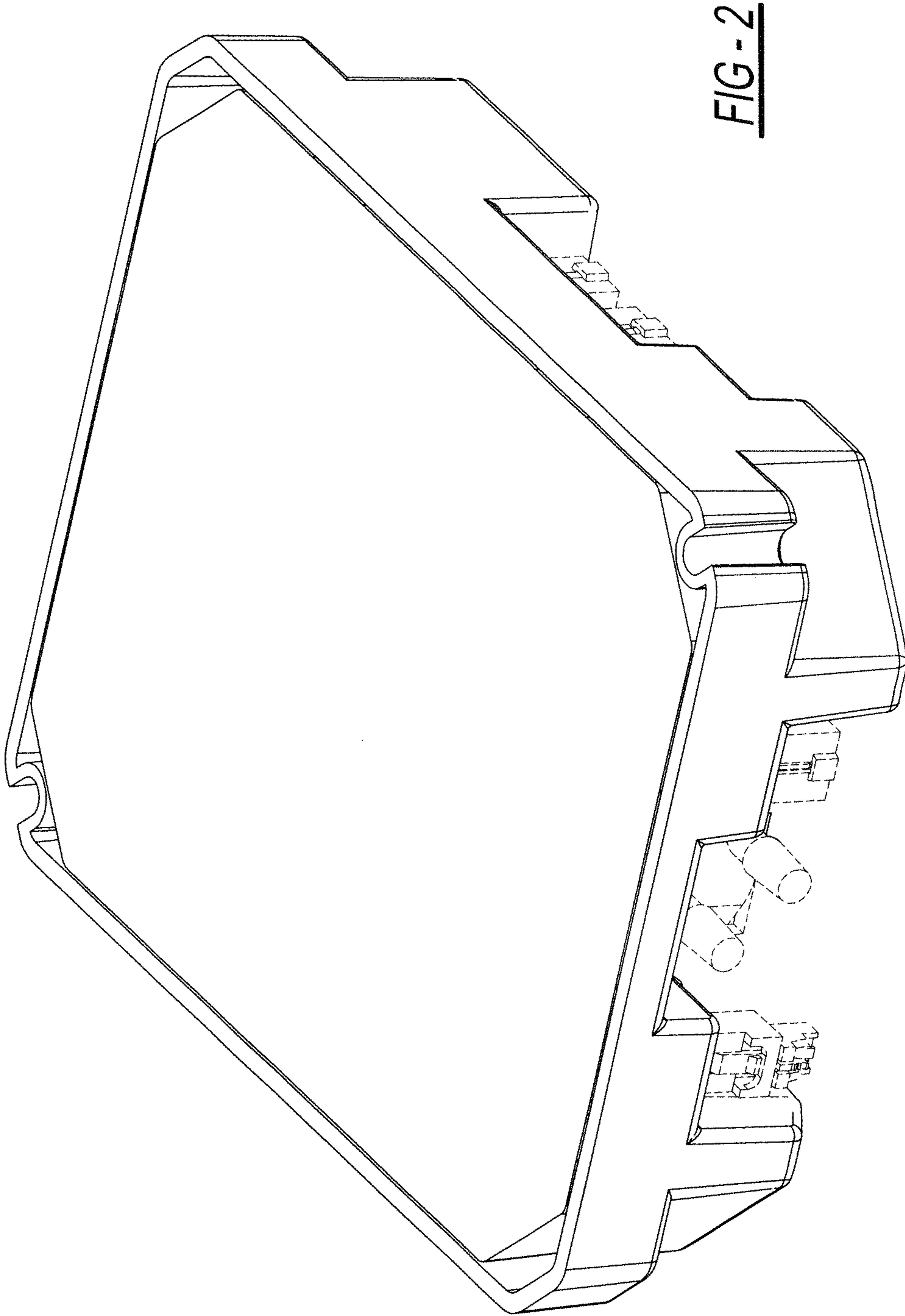


FIG - 2



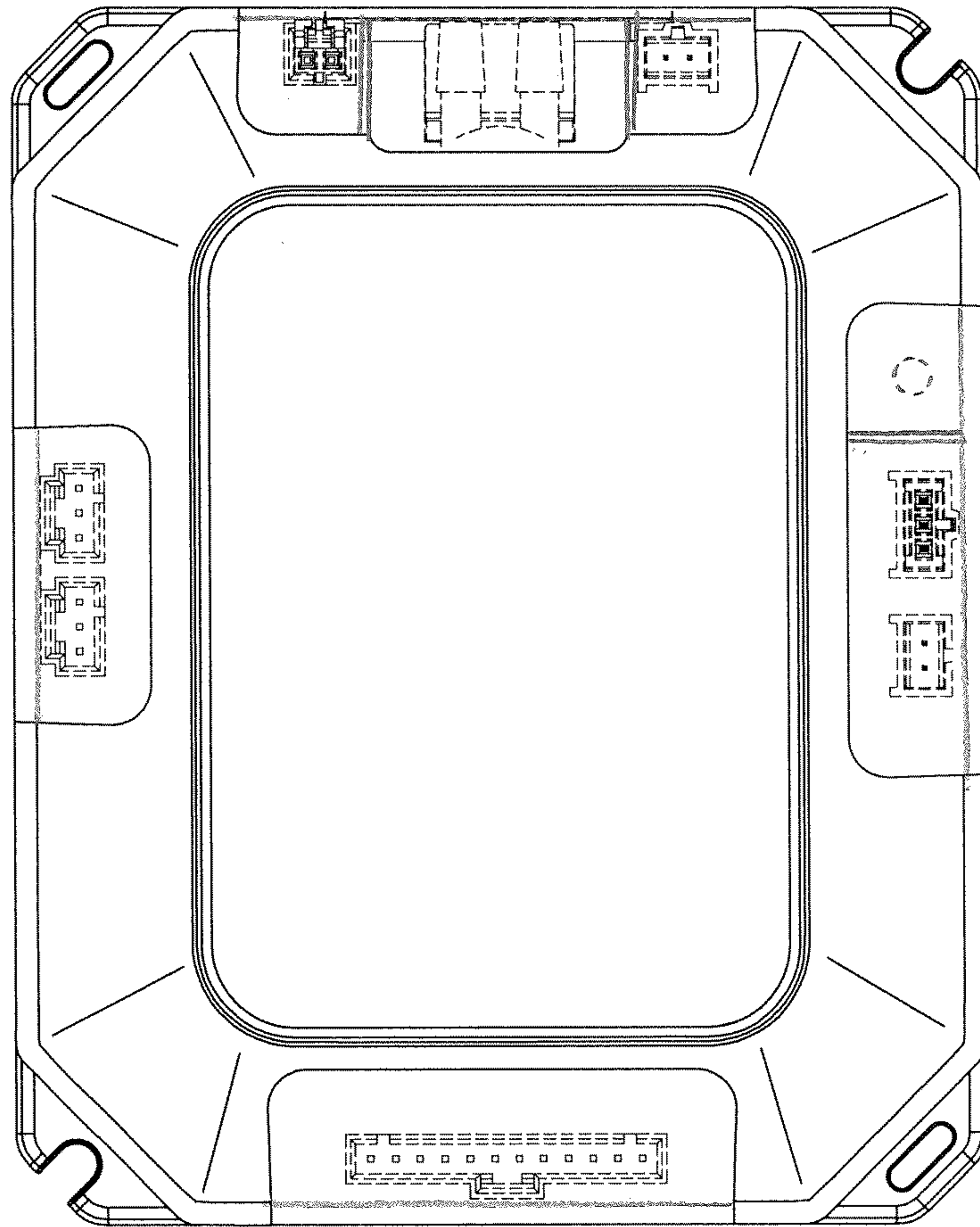


FIG - 3

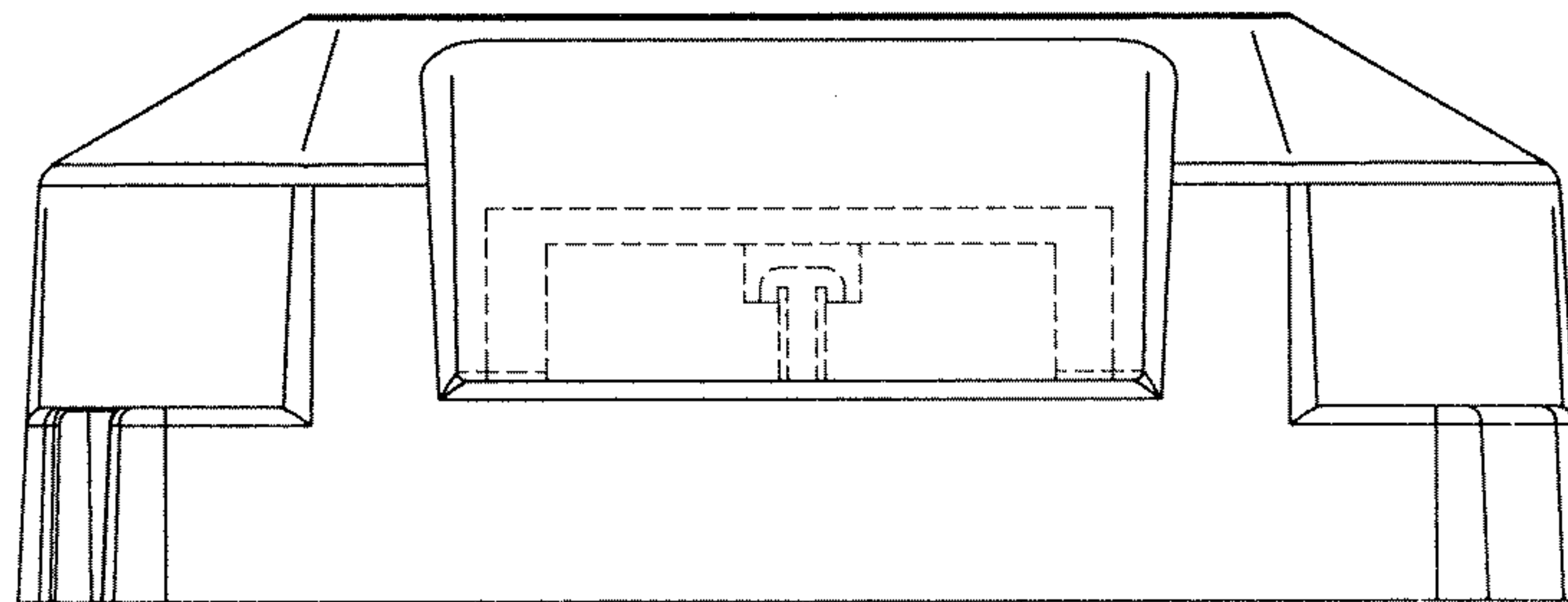


FIG - 4

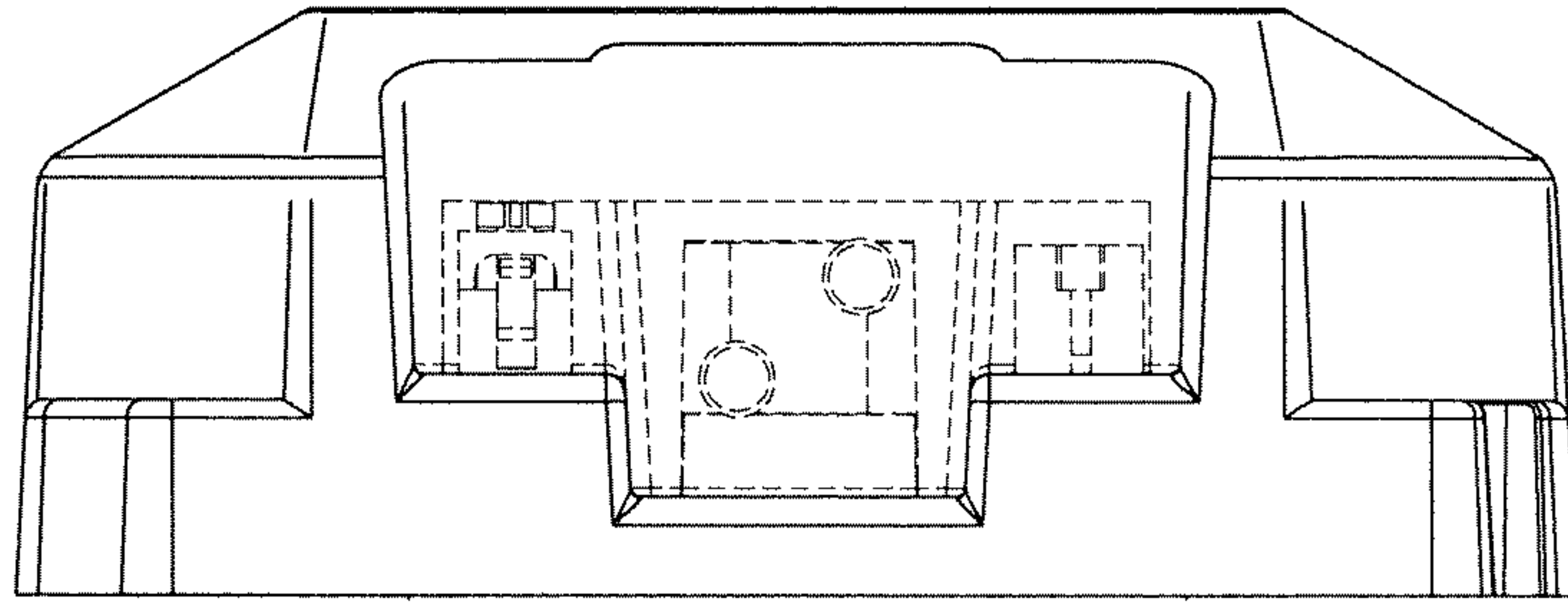


FIG - 5

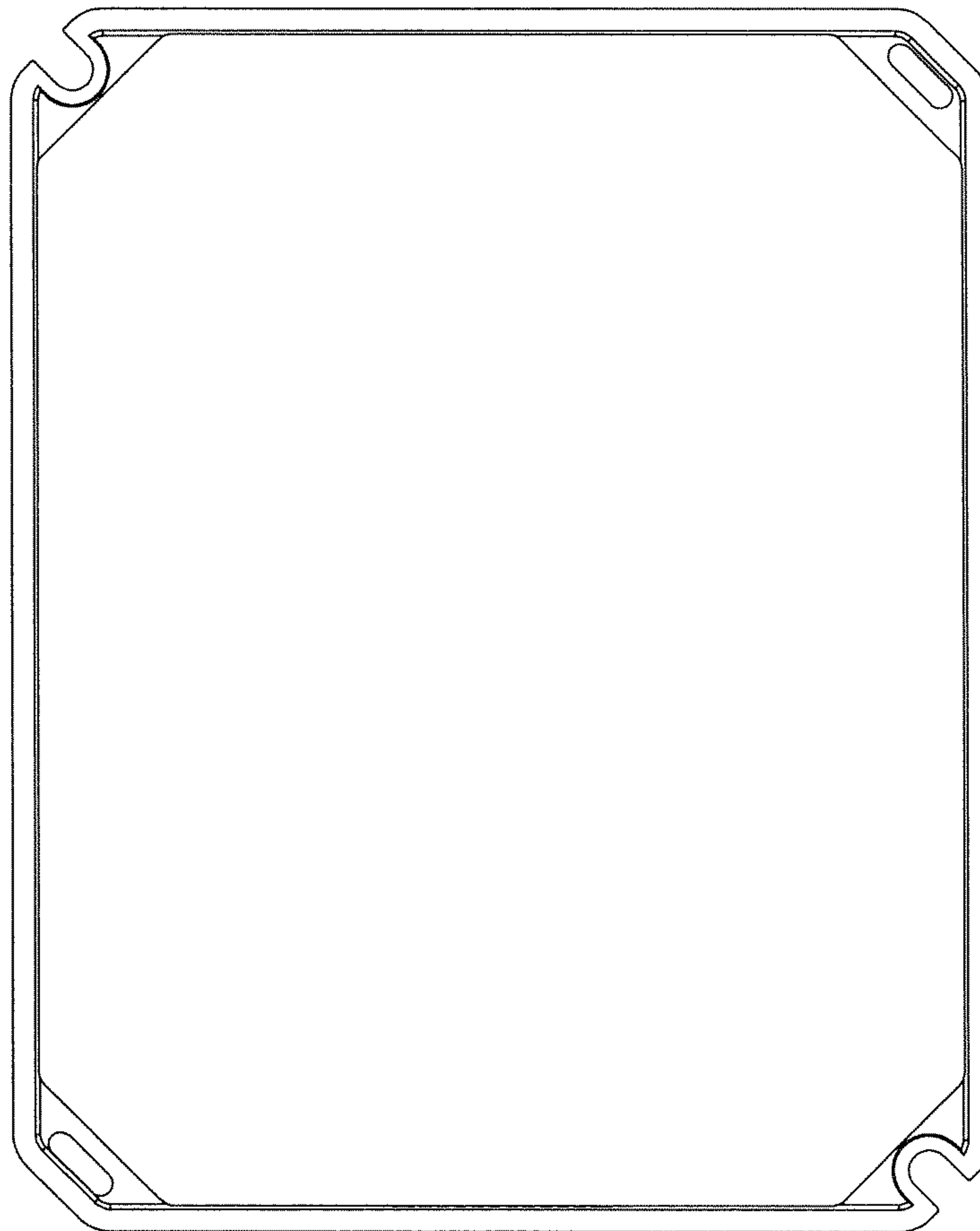


FIG - 6

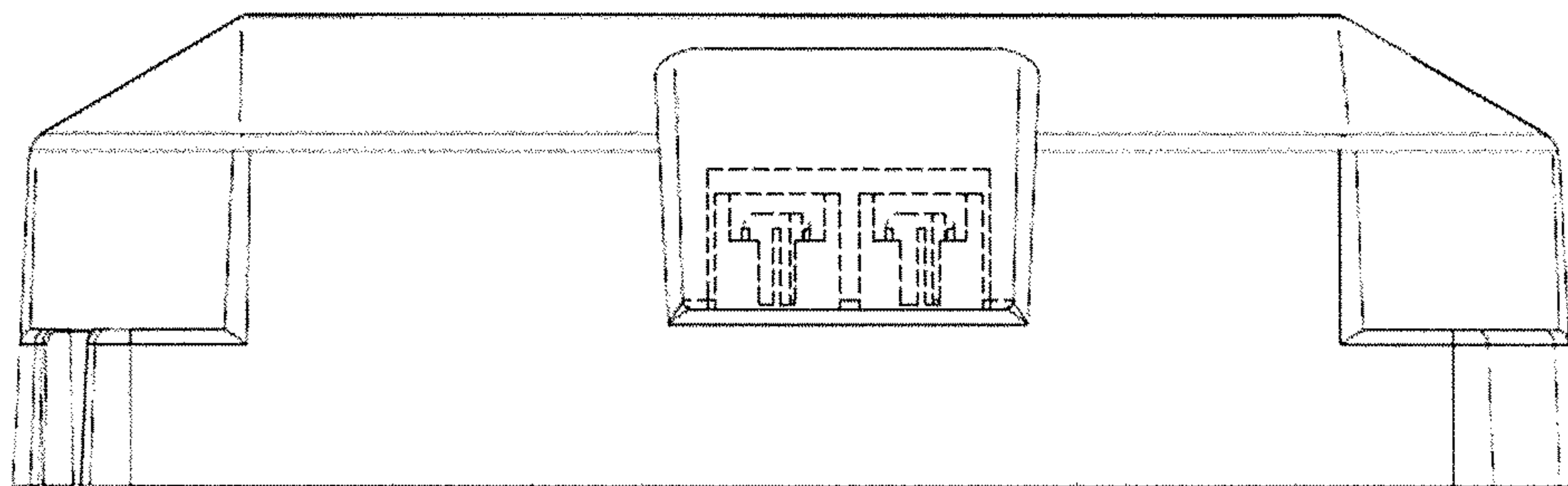


FIG - 7

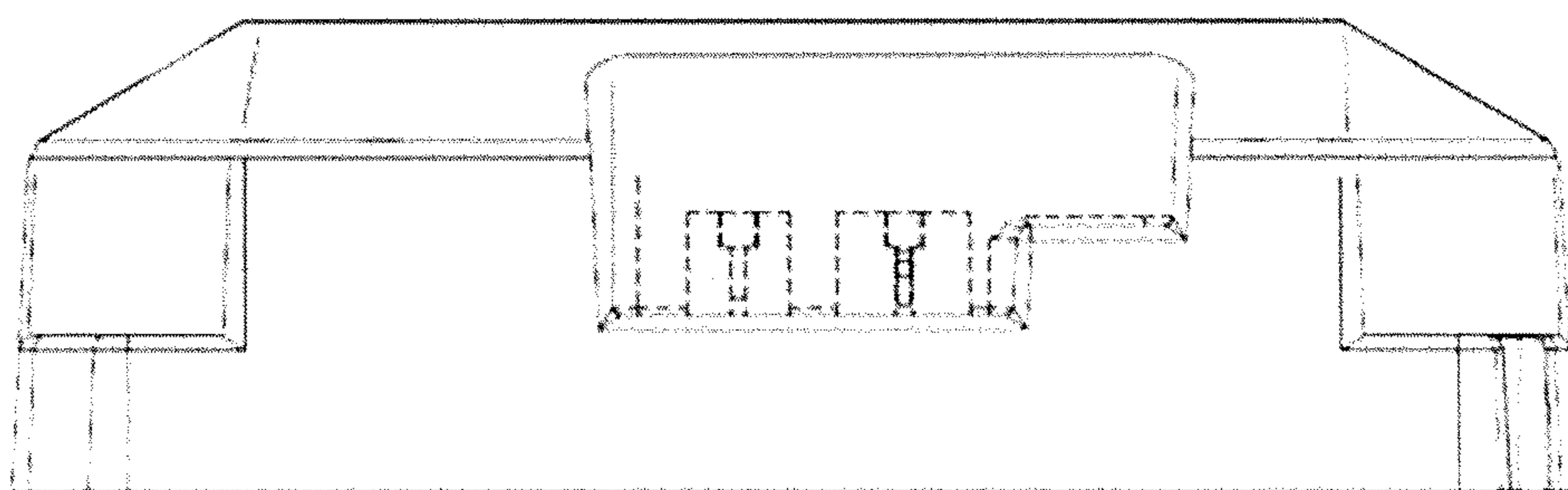


FIG - 8