

US00D725504S

(12) **United States Design Patent**
McEneaney et al.

(10) **Patent No.:** **US D725,504 S**
(45) **Date of Patent:** **** Mar. 31, 2015**

(54) **PARKING TERMINAL**

(71) Applicant: **Snapwire Innovations, LLC**, Cheshire, CT (US)

(72) Inventors: **Patrick McEneaney**, Agoura Hills, CA (US); **Fernando Pardo**, Moorpark, CA (US)

(73) Assignee: **Snapwire Innovations, LLC**, Cheshire, CT (US)

(**) Term: **14 Years**

(21) Appl. No.: **29/473,107**

(22) Filed: **Nov. 19, 2013**

(51) **LOC (10) Cl.** **10-03**

(52) **U.S. Cl.**
USPC **D10/42**

(58) **Field of Classification Search**
CPC G07F 17/24; G07C 1/30; G07B 15/02
USPC D10/40, 41, 42, 43, 44, 45; D20/2, 6, 9;
D99/8; 194/211, 217, 251, 277, 297,
194/302, 350, 351, 900, 902, 200, 204;
368/89, 90, 91, 92; 235/381, 382, 384,
235/390; 340/932.2; 705/13, 418
See application file for complete search history.

(56) **References Cited**

U.S. PATENT DOCUMENTS

D161,888 S * 2/1951 Wilkin D10/42
4,786,787 A * 11/1988 Nawada et al. 235/381
5,065,156 A * 11/1991 Bernier 340/932.2
D412,289 S * 7/1999 Winwood D10/42

D431,788 S * 10/2000 Tuxen et al. D10/42
6,230,868 B1 * 5/2001 Tuxen et al. 194/217
6,275,169 B1 * 8/2001 Krygler et al. 340/932.2
D450,253 S * 11/2001 Marguet D10/42
D460,005 S * 7/2002 Jacquet D10/42
6,505,774 B1 * 1/2003 Fulcher et al. 235/381
7,019,670 B2 * 3/2006 Bahar 340/932.2
D579,795 S * 11/2008 Martinez et al. D10/42
D632,740 S * 2/2011 Adeline D20/2
2004/0243526 A1 * 12/2004 Krygler et al. 705/418
2006/0152385 A1 * 7/2006 Mandy 340/932.2
2007/0276724 A1 * 11/2007 Catt 705/13
2012/0285793 A1 * 11/2012 Jones et al. 194/217
2012/0286036 A1 * 11/2012 Jones et al. 235/380

* cited by examiner

Primary Examiner — Martie K Holtje

(74) *Attorney, Agent, or Firm* — Cantor Colburn LLP

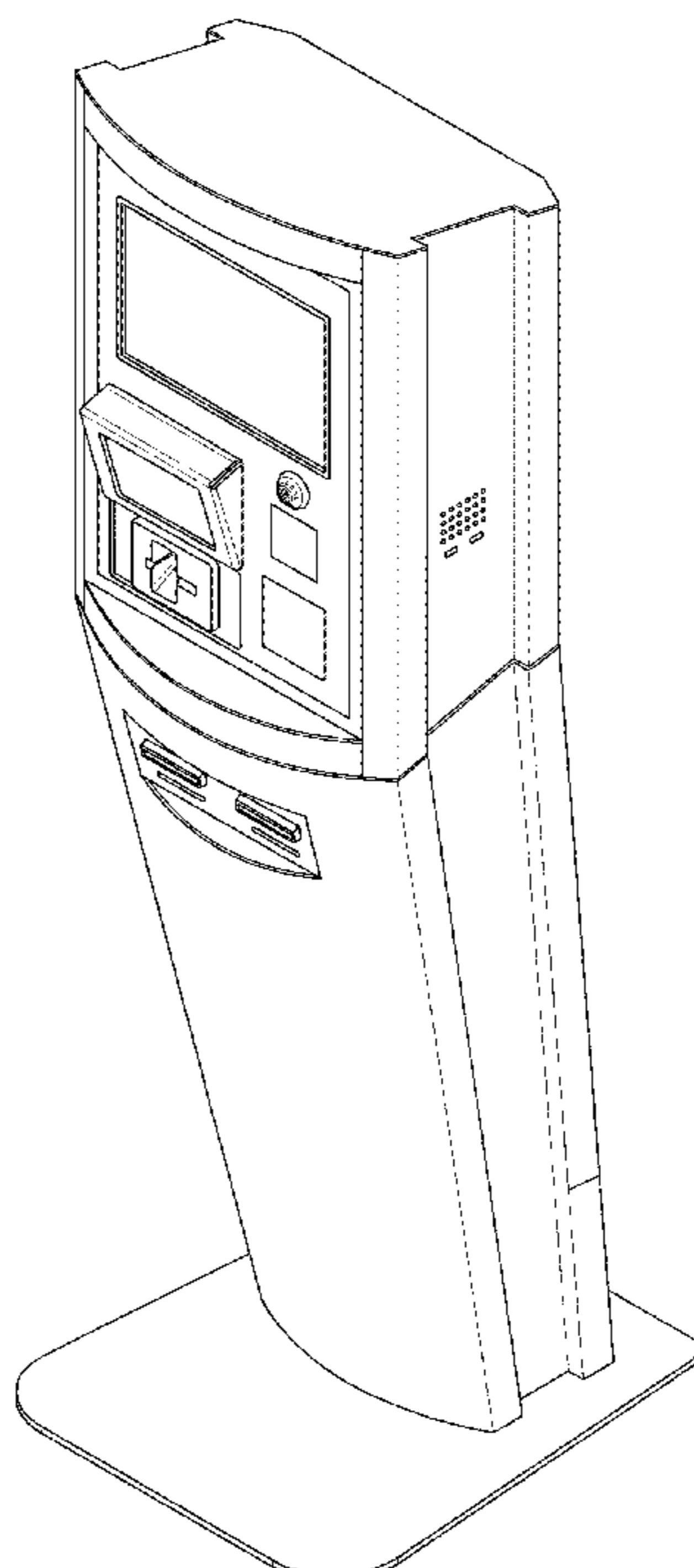
(57) **CLAIM**

We claim, the ornamental design for a parking terminal, as shown and described.

DESCRIPTION

FIG. 1 is a right perspective view of a parking terminal showing our new design;
FIG. 2 is a front view thereof;
FIG. 3 is a rear view thereof;
FIG. 4 is a right side elevational view thereof;
FIG. 5 is a left side elevational view thereof;
FIG. 6 is a top plan view thereof; and,
FIG. 7 is a bottom plan view thereof.
The color of the parking terminal forms no part of the claimed design, a parking terminal according to the claimed design may be of any color or combination of colors.

1 Claim, 6 Drawing Sheets



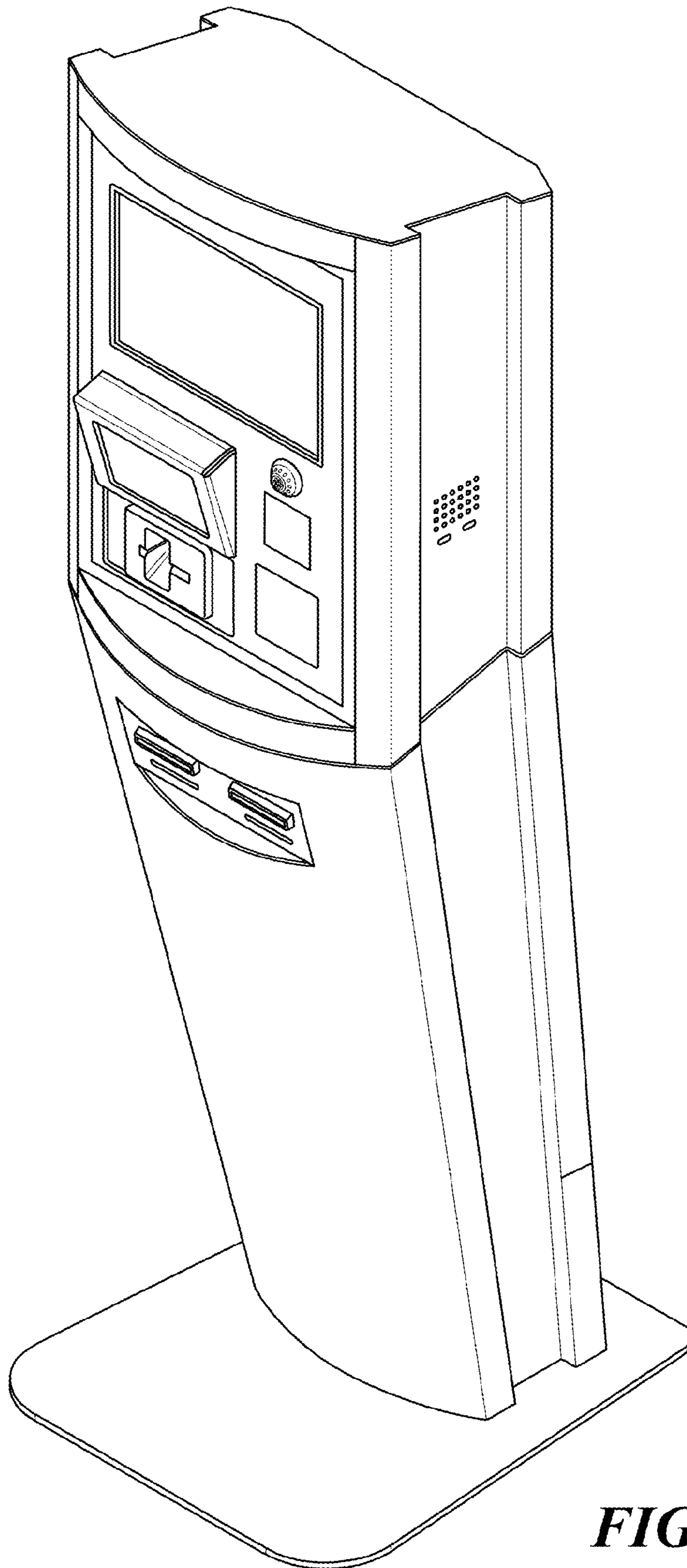


FIG. 1

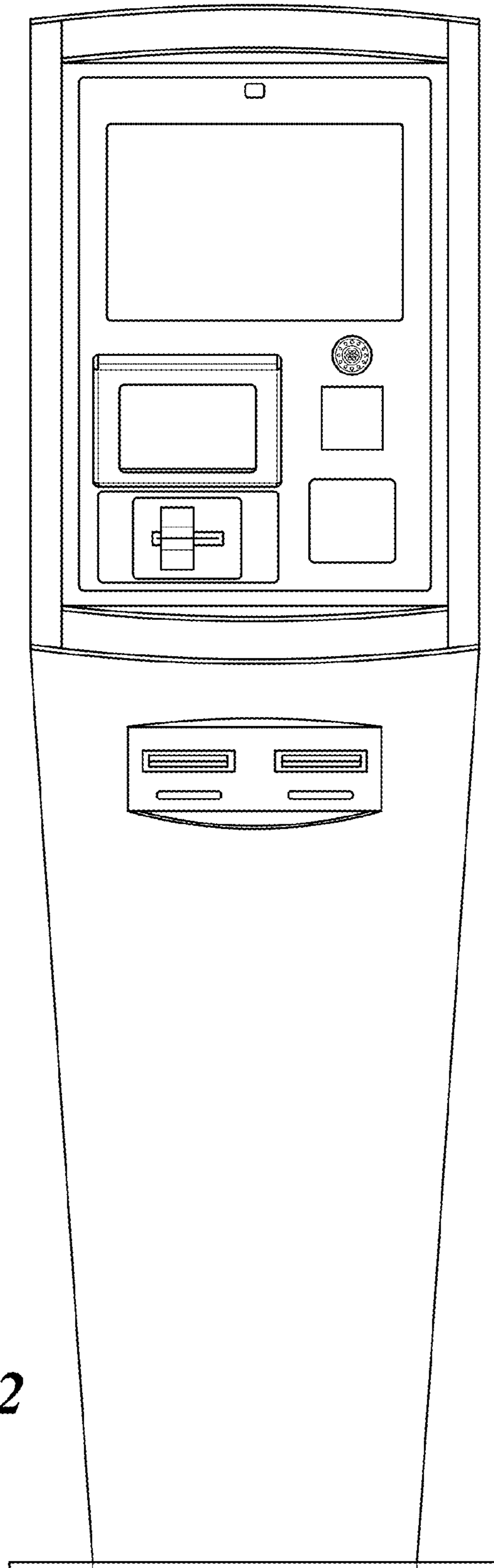


FIG. 2

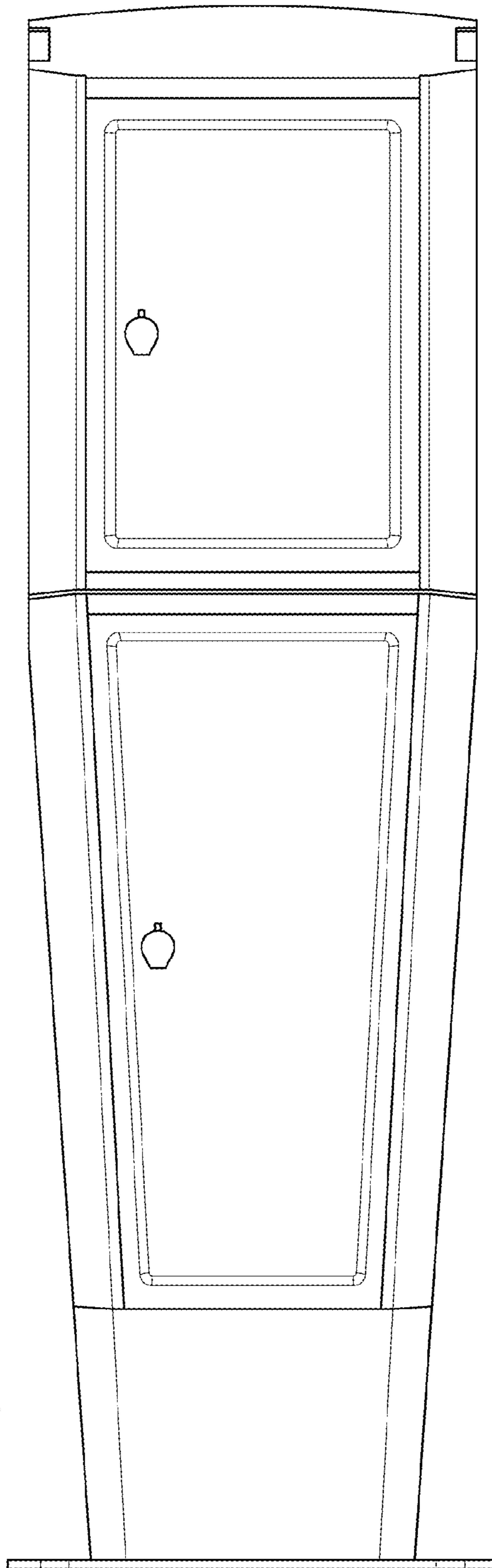


FIG. 3

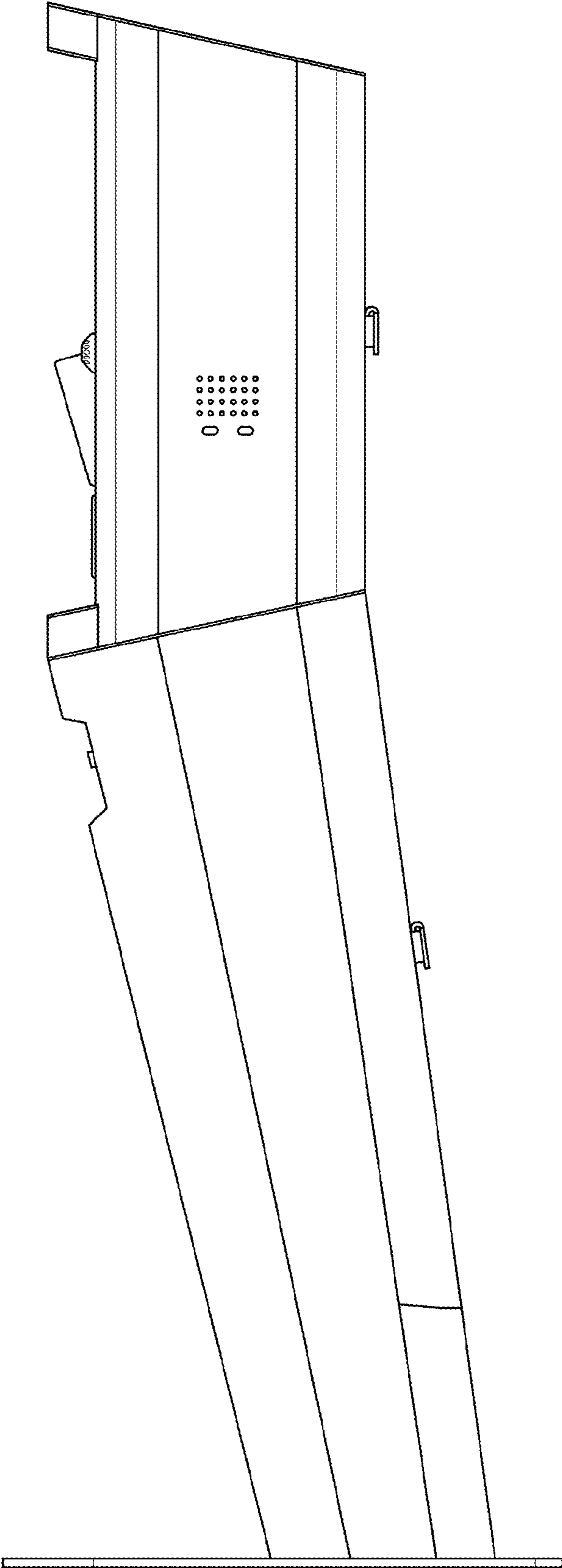


FIG. 4

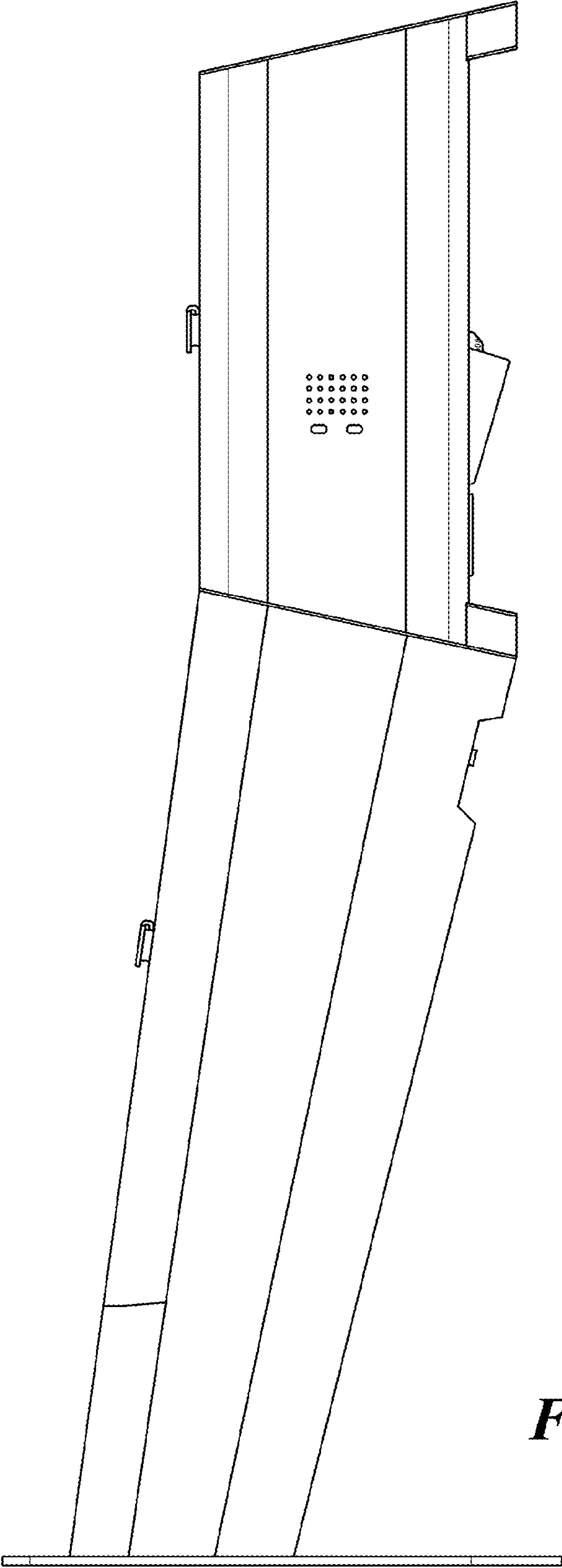


FIG. 5

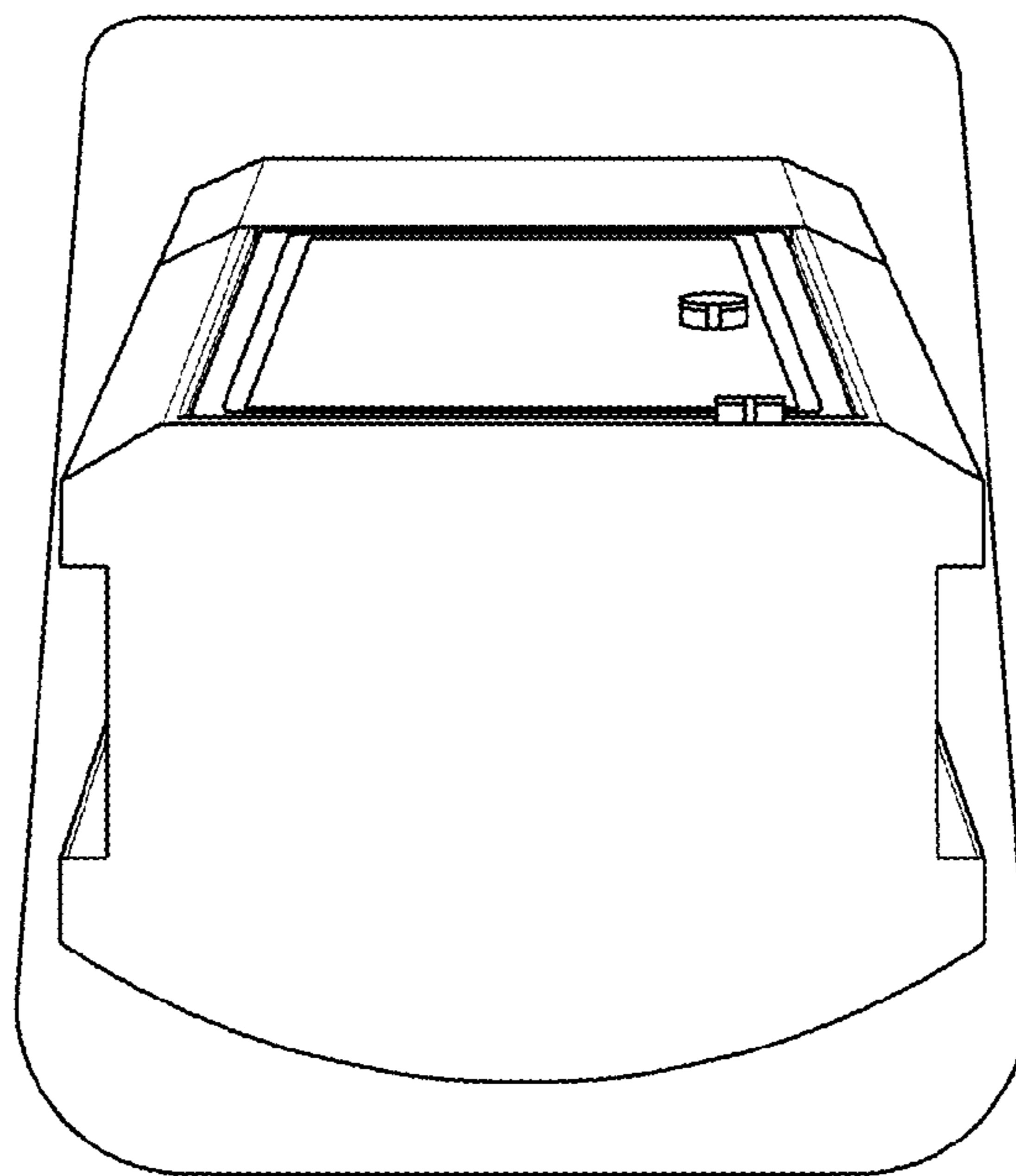


FIG. 6

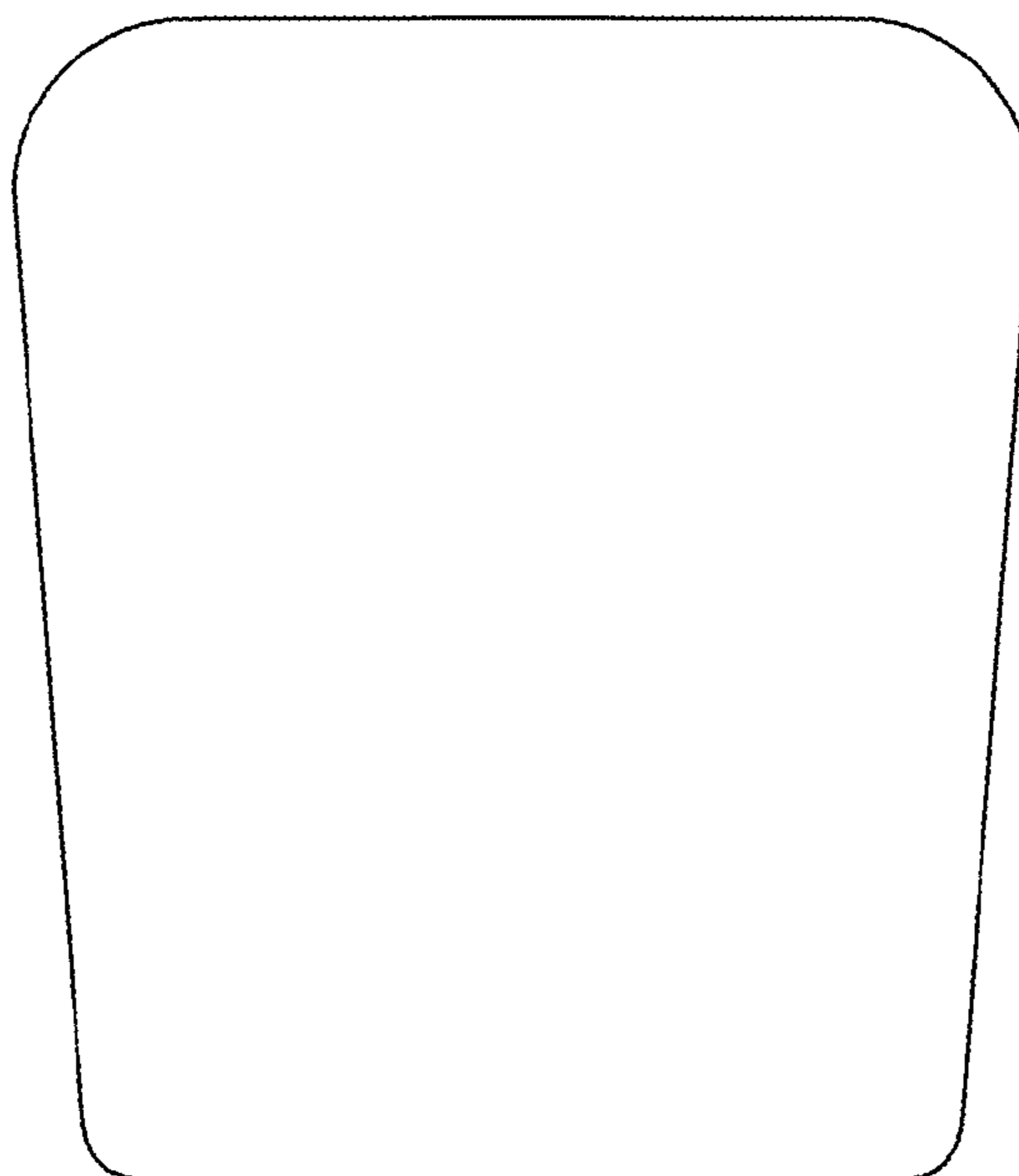


FIG. 7