



US00D725503S

(12) **United States Design Patent**
Chandran et al.

(10) **Patent No.:** **US D725,503 S**
(45) **Date of Patent:** **** Mar. 31, 2015**

(54) **WATER TIMER**

(75) Inventors: **Anand Chandran**, Dunlap, IL (US);
Robert Richard Brimble, Edwards, IL
(US); **Linda Kay Waible**, Peoria, IL
(US)

(73) Assignee: **Robert Bosch GmbH**, Stuttgart (DE)

(**) Term: **14 Years**

(21) Appl. No.: **29/414,514**

(22) Filed: **Feb. 29, 2012**

(51) **LOC (10) Cl.** **10-03**

(52) **U.S. Cl.**
USPC **D10/40**

(58) **Field of Classification Search**

CPC ... A01G 25/16; A01G 25/163; A01G 25/165;
G05D 7/00; F16K 21/00; F16K 21/16; F16K
31/02; F16K 31/44; F16K 31/48
USPC D10/40, 41; D13/158, 162, 162.1, 164,
D13/168, 125; D23/245; 368/10, 89,
368/96-100, 107-121; 200/33 R, 35 R, 315,
200/329, 330; 239/67, 68, 69, 70, 71;
137/119.03, 624.11, 624.12, 624.18,
137/624.21, 624.22

See application file for complete search history.

(56) **References Cited**

U.S. PATENT DOCUMENTS

2,824,181 A * 2/1958 Gallagher et al. 200/35 R
D196,603 S * 10/1963 Beinert D23/245
D281,808 S * 12/1985 Lemkin et al. D23/245
4,633,905 A * 1/1987 Wang 137/624.11
4,921,002 A * 5/1990 Christon et al. 137/119.03
D309,175 S * 7/1990 Hastings et al. D23/245
5,082,015 A * 1/1992 Baker 137/119.03
5,082,022 A * 1/1992 Boundy 137/624.12
5,135,168 A * 8/1992 Wang 239/70
5,826,619 A * 10/1998 Roman 137/624.11
D476,240 S * 6/2003 Kuramochi et al. D10/40
D477,287 S * 7/2003 Roman D13/162
D559,708 S * 1/2008 Michael et al. D10/40

D604,183 S 11/2009 Zore et al.
D604,184 S 11/2009 Leer et al.
D604,189 S 11/2009 Leer et al.
D604,190 S 11/2009 Leer et al.
D605,534 S 12/2009 Zore et al.
D636,278 S * 4/2011 Franchini D10/40
D647,411 S * 10/2011 Barton et al. D10/40
D659,029 S * 5/2012 Connolly et al. D10/40
D671,847 S * 12/2012 Chandran et al. D10/40
D671,848 S * 12/2012 Chandran et al. D10/40
D671,849 S * 12/2012 Chandran et al. D10/40
2009/0008472 A1 * 1/2009 Wilson 239/71
2010/0230510 A1 * 9/2010 Wilson 239/70
2011/0118881 A1 * 5/2011 Tai 700/282

* cited by examiner

Primary Examiner — Martie K Holtje

(74) *Attorney, Agent, or Firm* — Maginot Moore & Beck
LLP

(57) **CLAIM**

The ornamental design for a water timer, as shown and
described.

DESCRIPTION

FIG. 1 is a perspective view of a water timer showing our new
design;

FIG. 2 is a right side elevational view showing the design for
the water timer of FIG. 1;

FIG. 3 is left side elevational view showing the design for the
water timer of FIG. 1;

FIG. 4 is a front elevational view showing the design for the
water timer of FIG. 1;

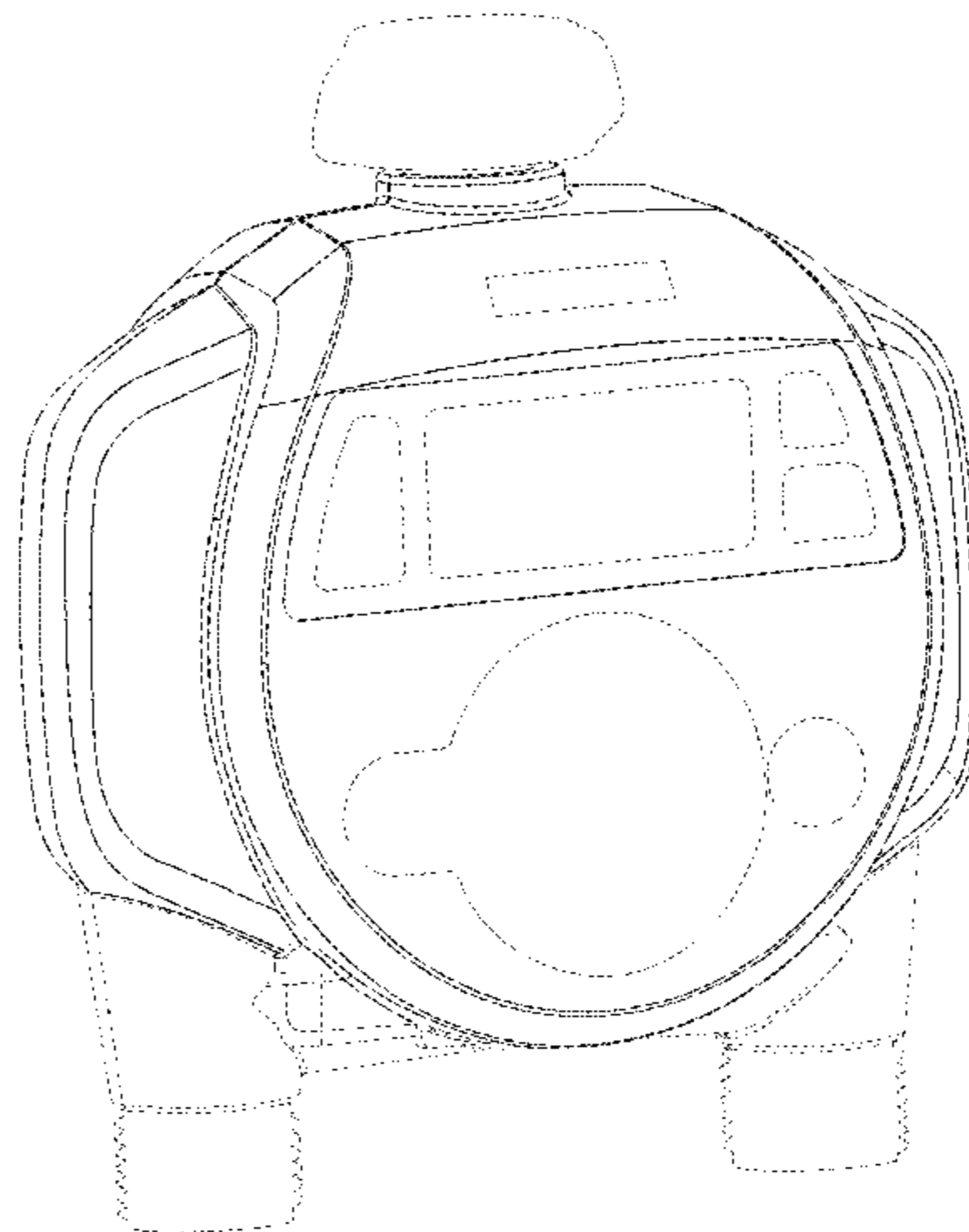
FIG. 5 is a rear elevational view showing the design for the
water timer of FIG. 1;

FIG. 6 is a top elevational view showing the design for the
water timer of FIG. 1; and,

FIG. 7 is a bottom elevational view showing the design for the
water timer of FIG. 1.

The structural elements depicted by broken lines in the draw-
ings have been shown for the purpose of illustrating portions
of the water timer that form no part of the claimed design.

1 Claim, 7 Drawing Sheets



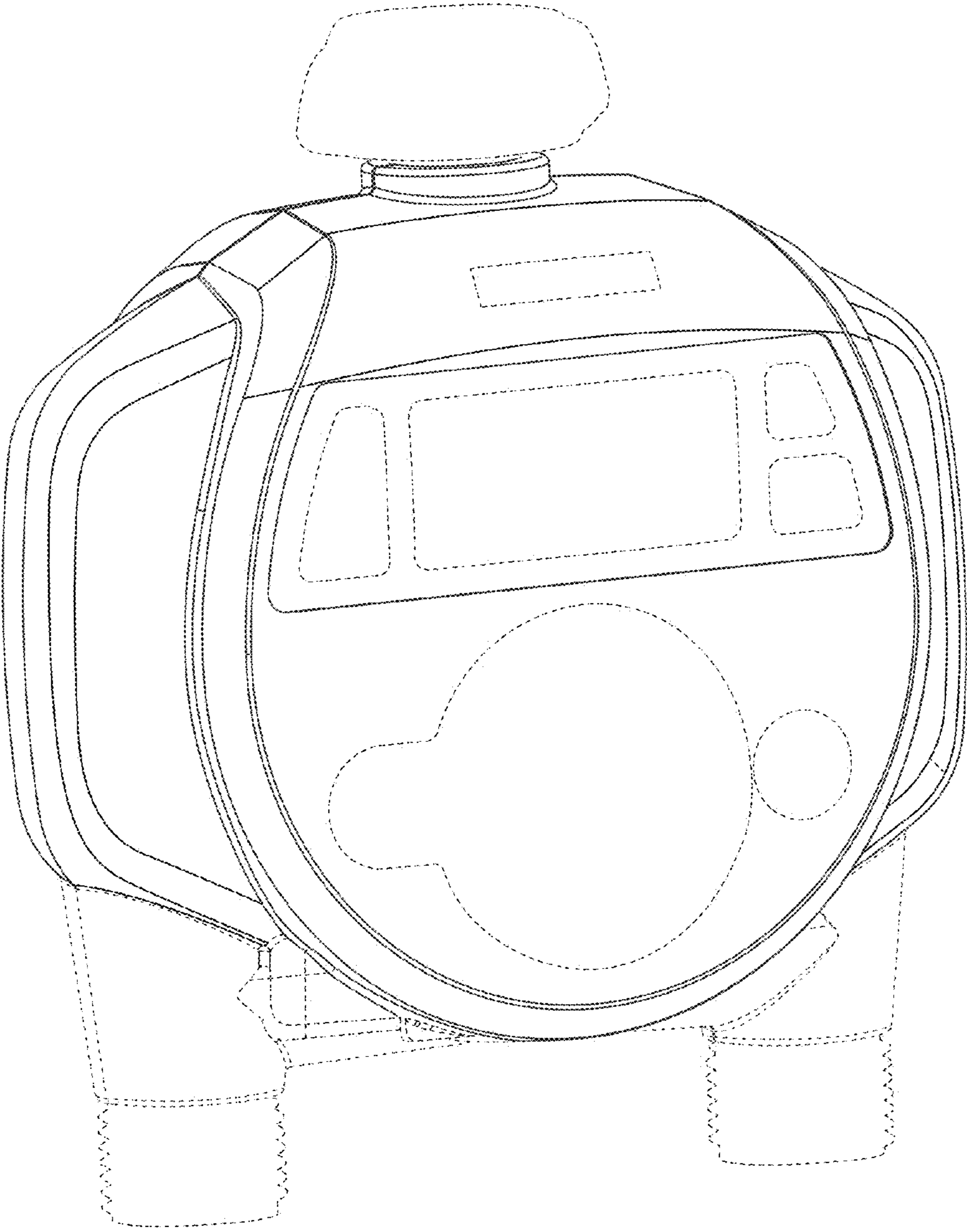


FIG. 1

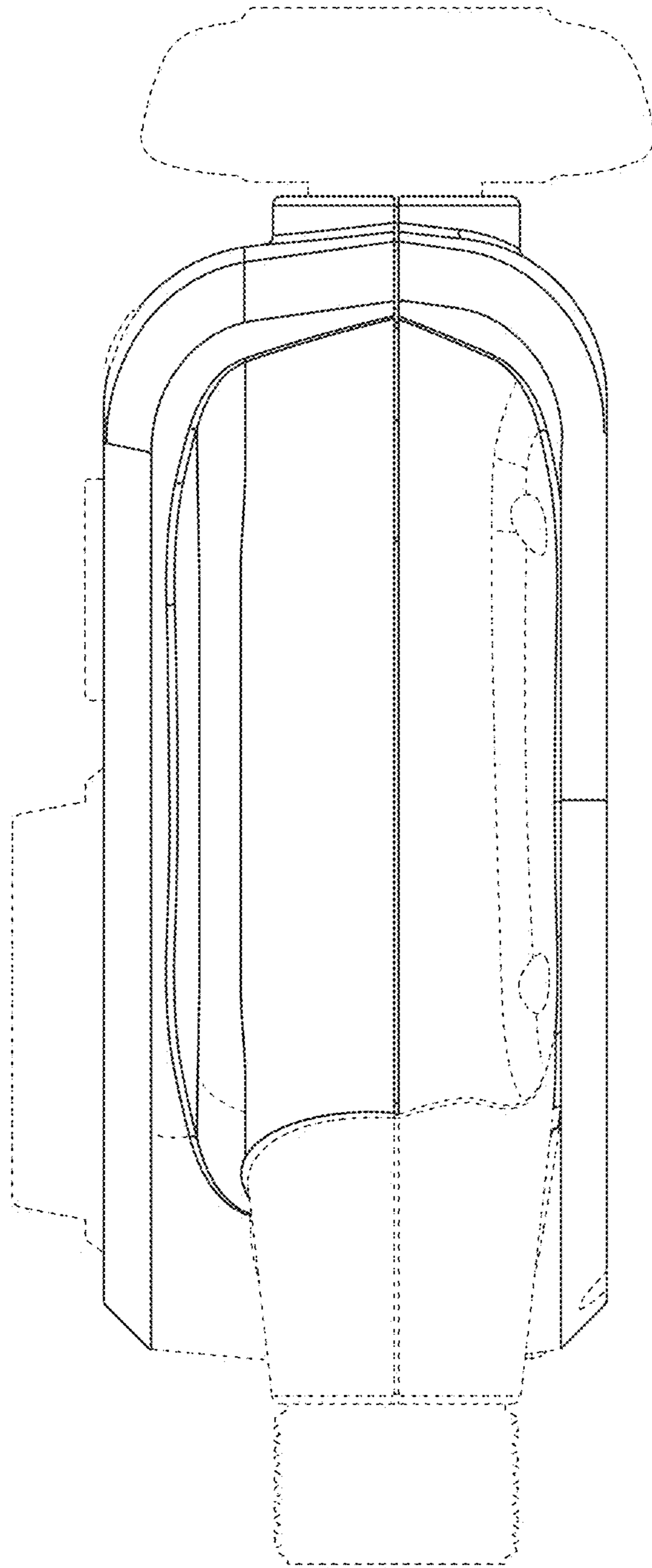


FIG. 2

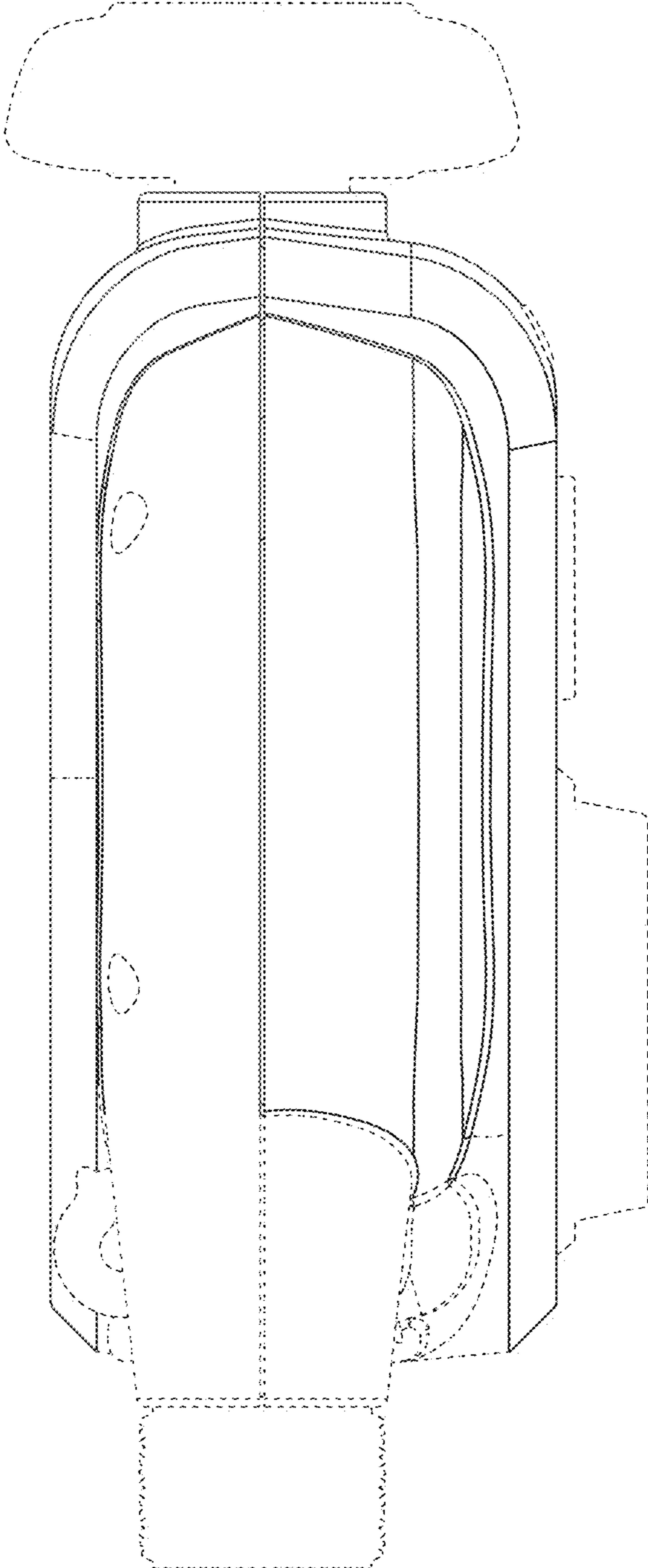


FIG. 3

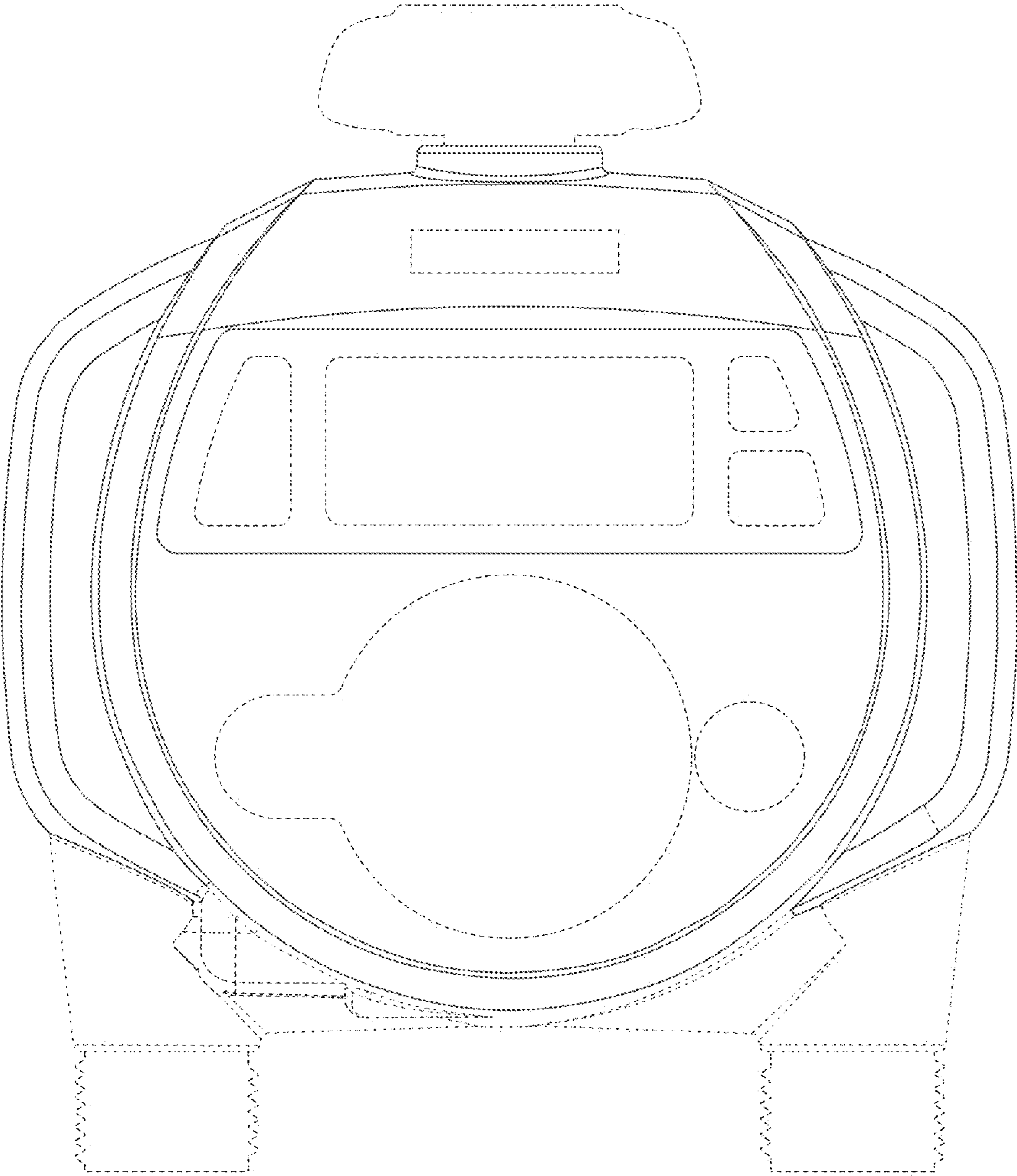


FIG. 4

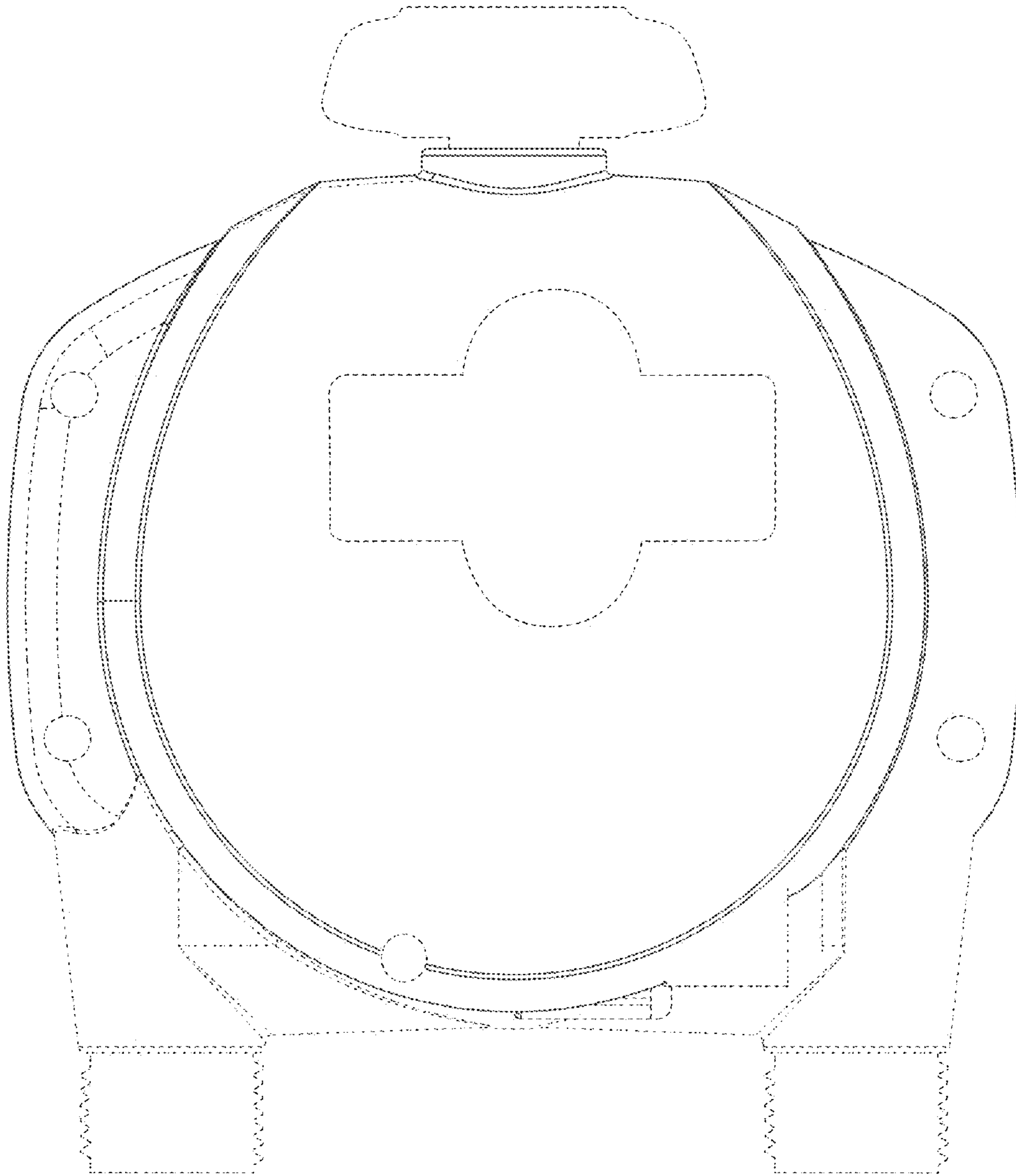


FIG. 5

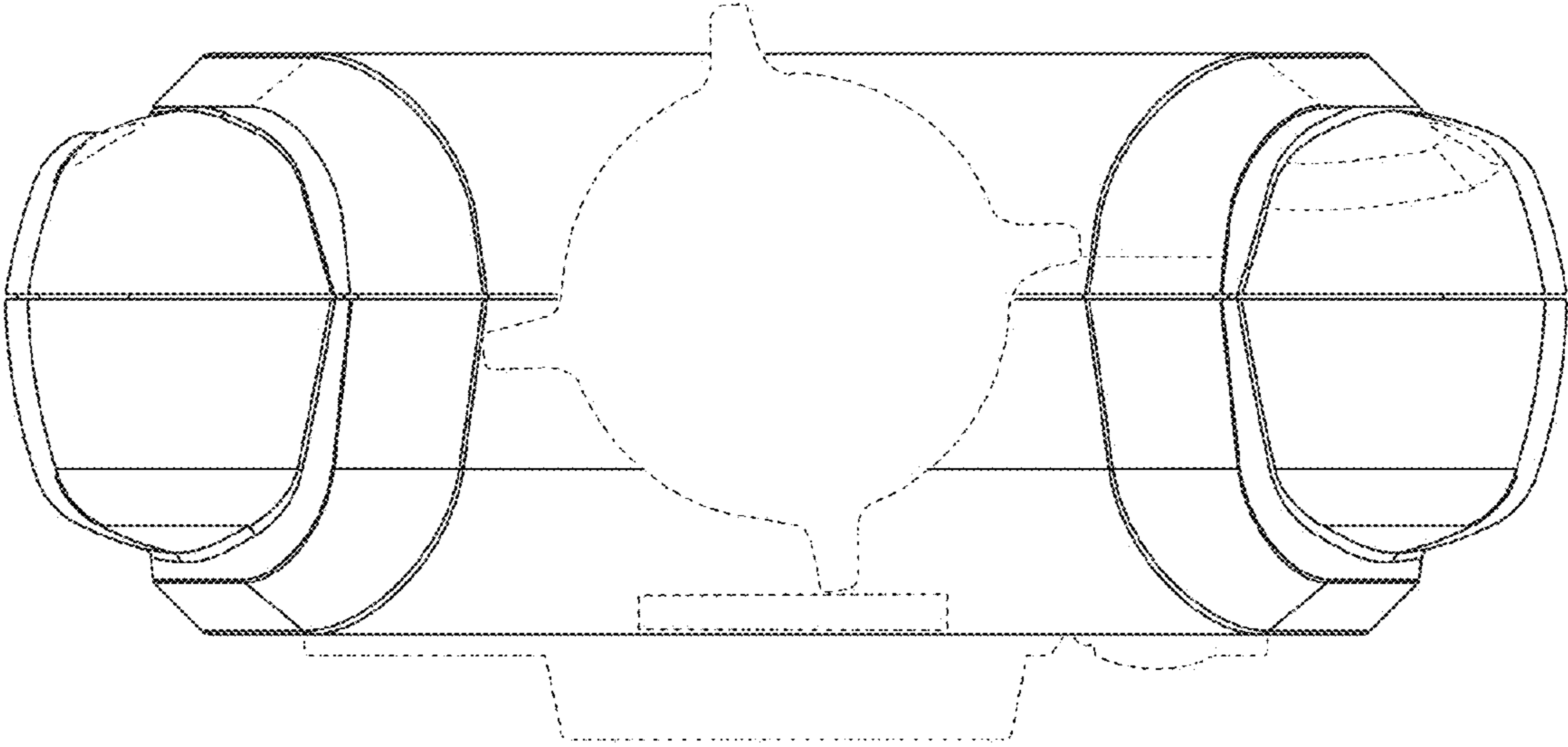


FIG. 6

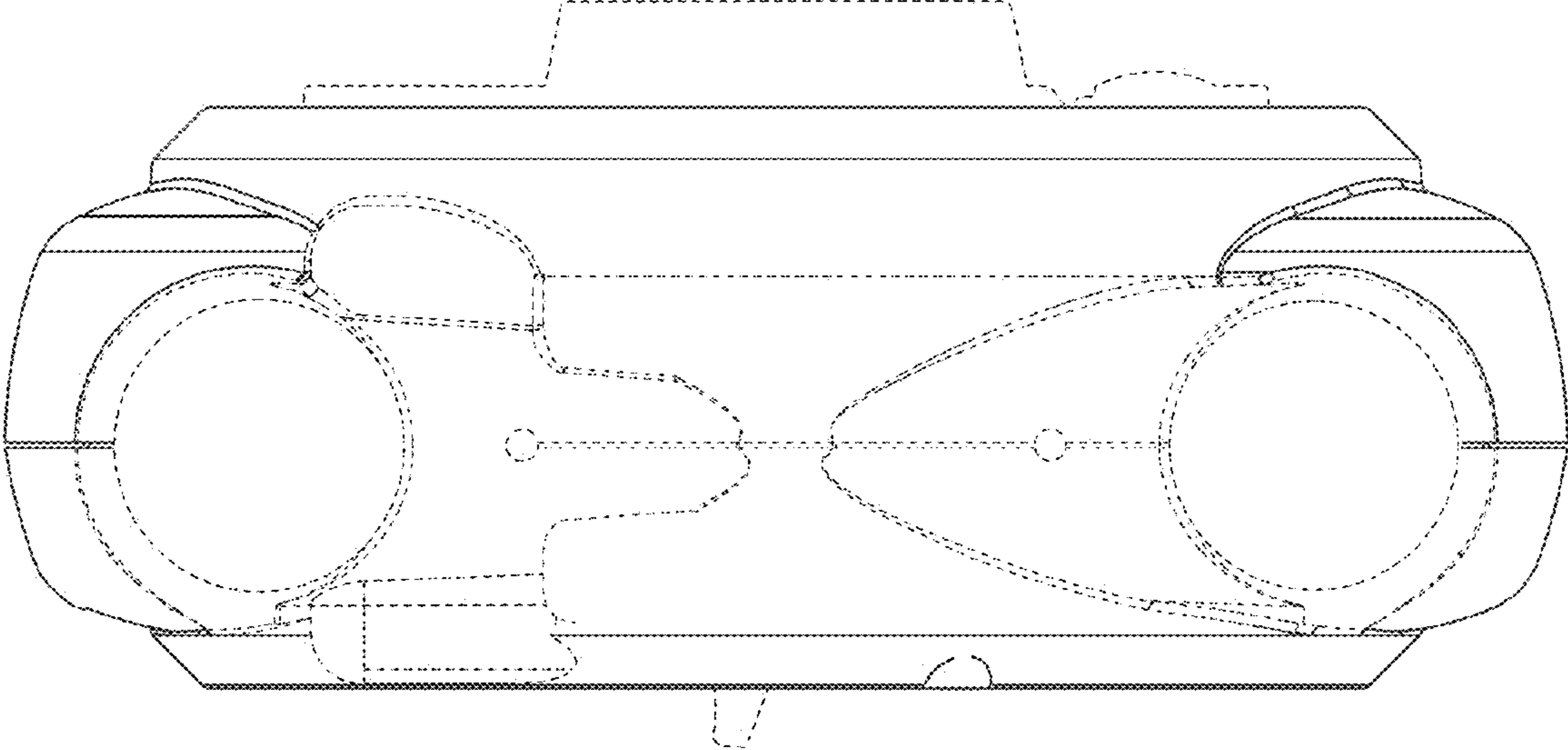


FIG. 7