



US00D725502S

(12) **United States Design Patent**
Meier

(10) **Patent No.:** **US D725,502 S**

(45) **Date of Patent:** **** Mar. 31, 2015**

(54) **WRIST WATCH**

(75) Inventor: **Andre Francois Meier**, Neuchatel (CH)

(73) Assignee: **Juvenia Montres SA**,
La-Chaux-de-Fonds (CH)

(**) Term: **14 Years**

(21) Appl. No.: **29/428,267**

(22) Filed: **Jul. 27, 2012**

(30) **Foreign Application Priority Data**

Jan. 27, 2012 (CH) 138592

(51) **LOC (10) Cl.** **10-02**

(52) **U.S. Cl.**

USPC **D10/39; D10/124; D10/126; D10/127**

(58) **Field of Classification Search**

CPC G04B 19/00; G04B 19/04; G04B 19/06;
G04B 37/00; G04B 45/00; G04B 47/00;
G04B 47/044; G04B 47/04; G04B 47/06;
G04B 47/061; G04B 47/065

USPC D10/30-39, 122-132, 1-29, 61, 65, 66,
D10/68; 368/10, 11, 14, 76, 80, 82, 88, 107,
368/223, 228, 232, 233, 276, 281, 285,
368/309; 33/403, 471; 356/144, 145

See application file for complete search history.

(56) **References Cited**

U.S. PATENT DOCUMENTS

301,215 A * 7/1884 Cory 368/27
346,519 A * 8/1886 Tybjerg 33/471
665,316 A * 1/1901 Fay 33/403
901,822 A * 10/1908 Paquette 368/238
1,697,293 A * 1/1929 Sperry et al. 356/144
2,338,325 A * 1/1944 Friar 356/145

D179,835 S * 3/1957 Bloch D10/124
3,027,797 A * 4/1962 Collen et al. 356/144
D220,209 S * 3/1971 Brigham D10/68
D243,072 S * 1/1977 Spinosa et al. D10/68
4,183,206 A * 1/1980 Porsche et al. 368/14
D286,754 S * 11/1986 Manfredi D10/39
D308,493 S * 6/1990 Zaboyan D10/126
D326,419 S * 5/1992 Bulgari D10/39
D334,890 S * 4/1993 Meyer D10/30
5,550,794 A * 8/1996 Born et al. 368/11
D400,117 S * 10/1998 Fischer D10/124
D413,074 S * 8/1999 Langford D10/66
D476,912 S * 7/2003 Chang D10/68
D634,663 S * 3/2011 Linde D10/126
2008/0078092 A1 * 4/2008 Lin 33/471

* cited by examiner

Primary Examiner — Martie K Holtje

(74) *Attorney, Agent, or Firm* — Sughrue Mion, PLLC

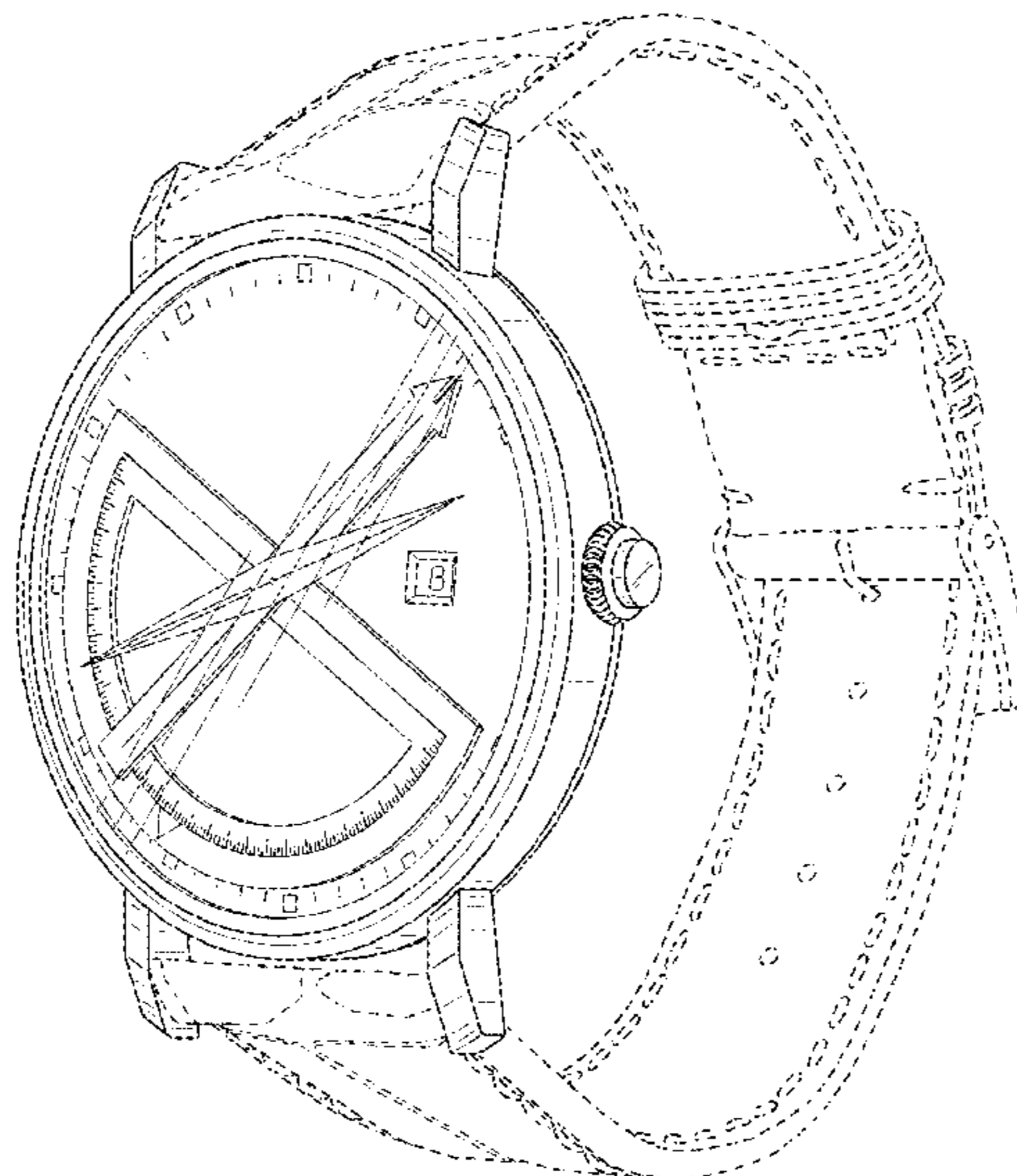
(57) **CLAIM**

The ornamental design for a wrist watch, as shown and described.

DESCRIPTION

FIG. 1 is a perspective view of the front and right side of a wristwatch showing my new design;
FIG. 2 is a front elevational view thereof;
FIG. 3 is a rear elevational view thereof;
FIG. 4 is a left side elevational view thereof;
FIG. 5 is a right side elevational view thereof;
FIG. 6 is a top plan view thereof;
FIG. 7 is a bottom plan view thereof; and,
FIG. 8 is perspective view of the rear and right side thereof.
The structural features depicted by broken lines in the drawings have been shown for the purpose of illustrating portions of the wrist watch that form no part of the claimed design.

1 Claim, 8 Drawing Sheets



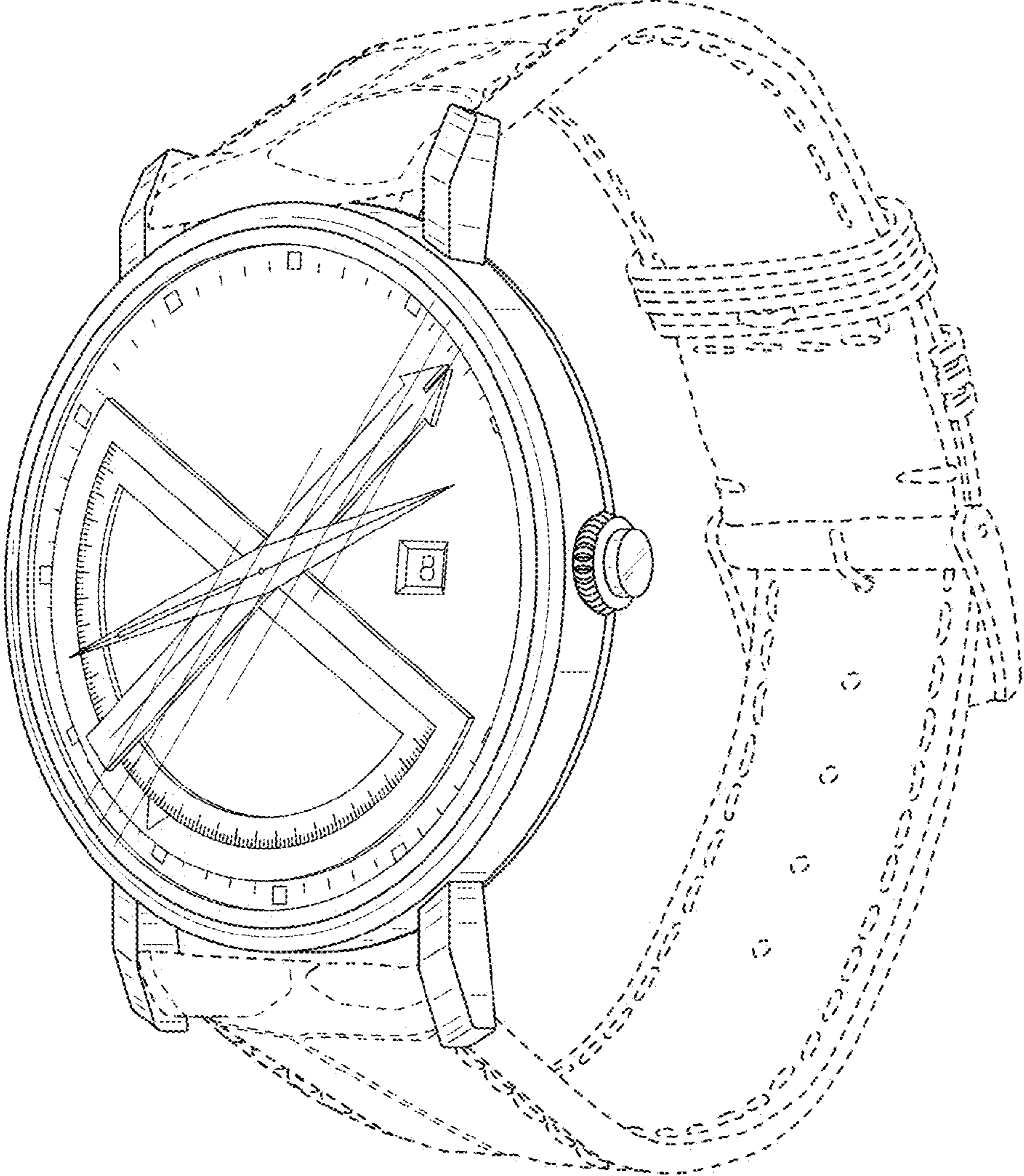


FIG. 1

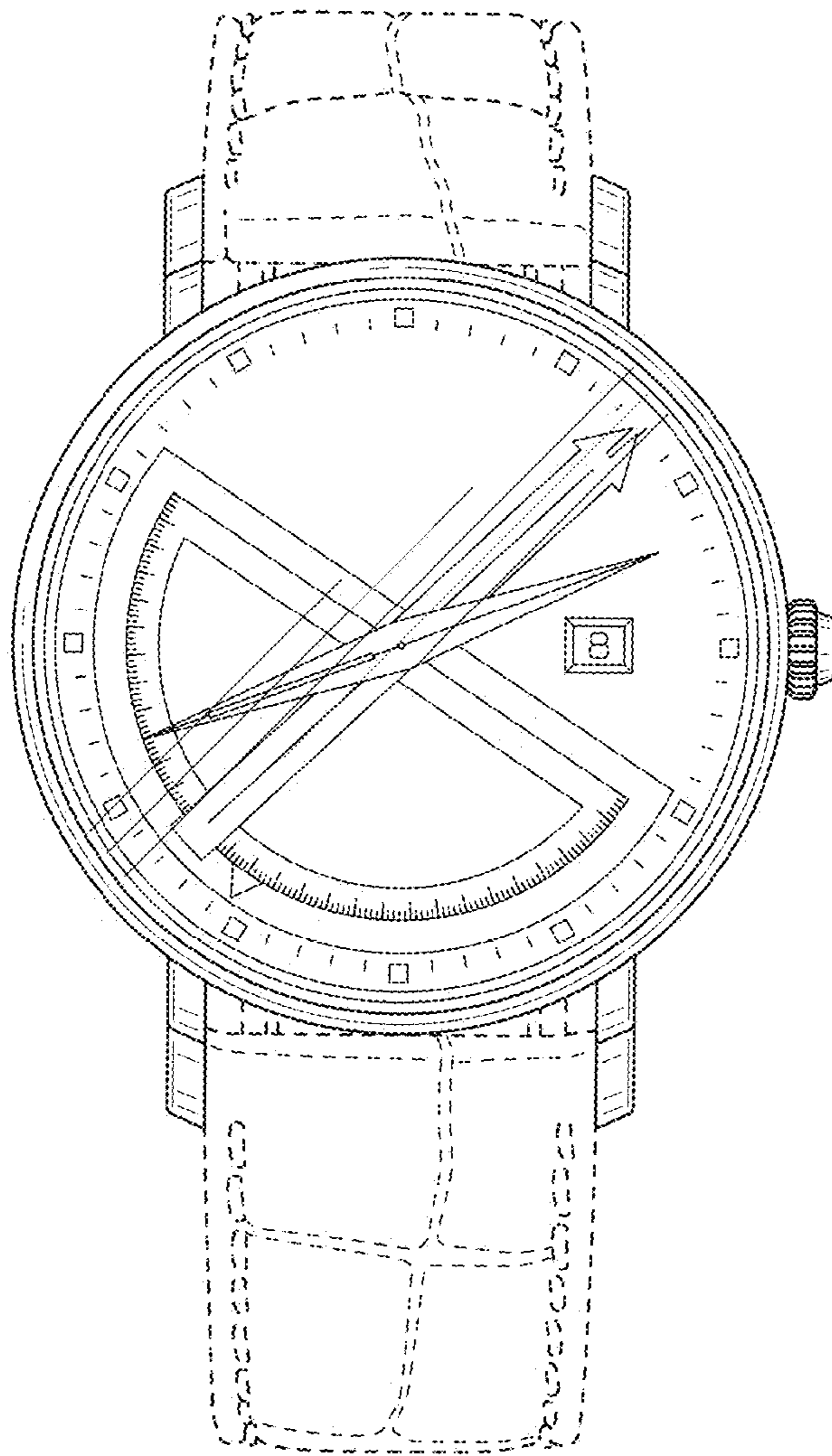


FIG. 2

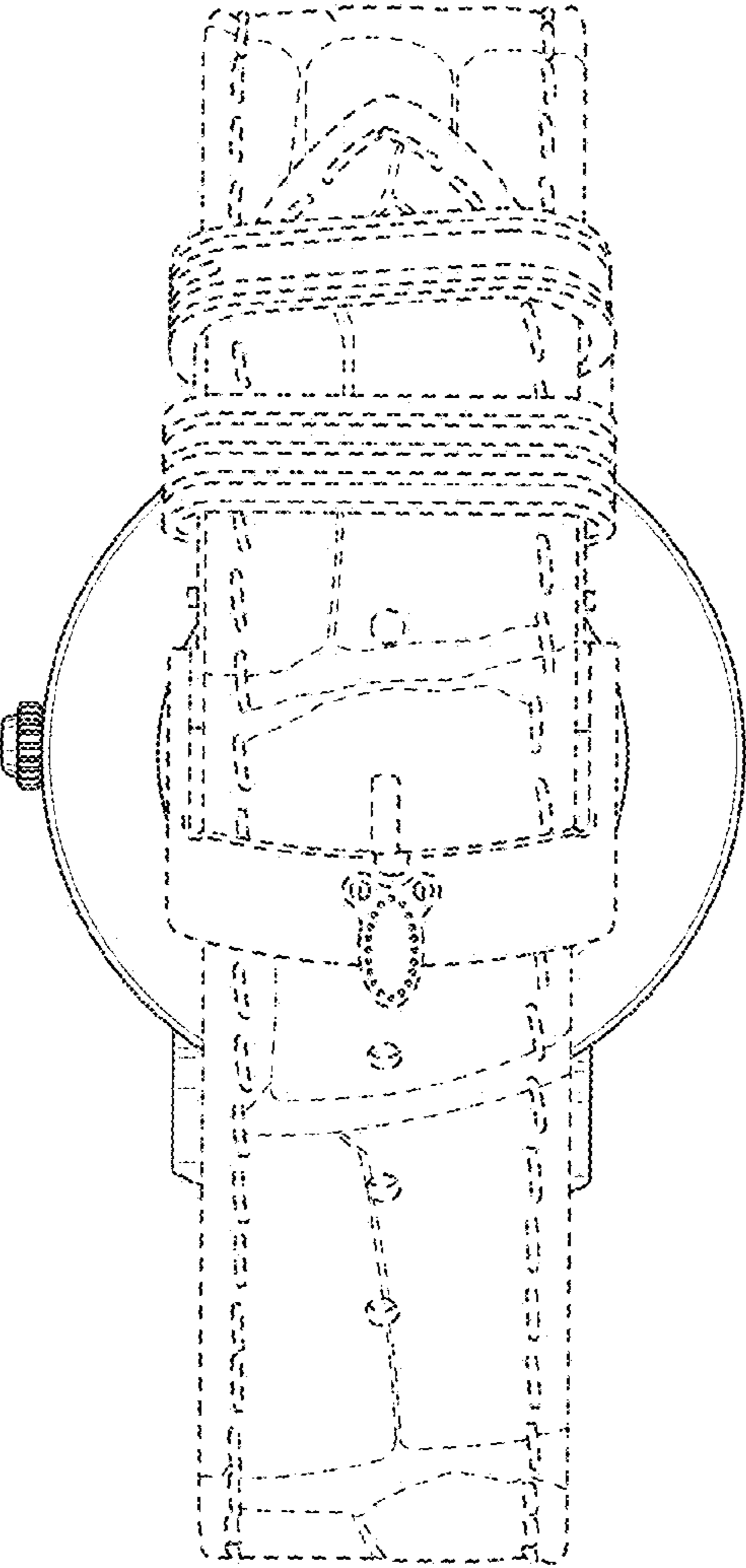


FIG. 3

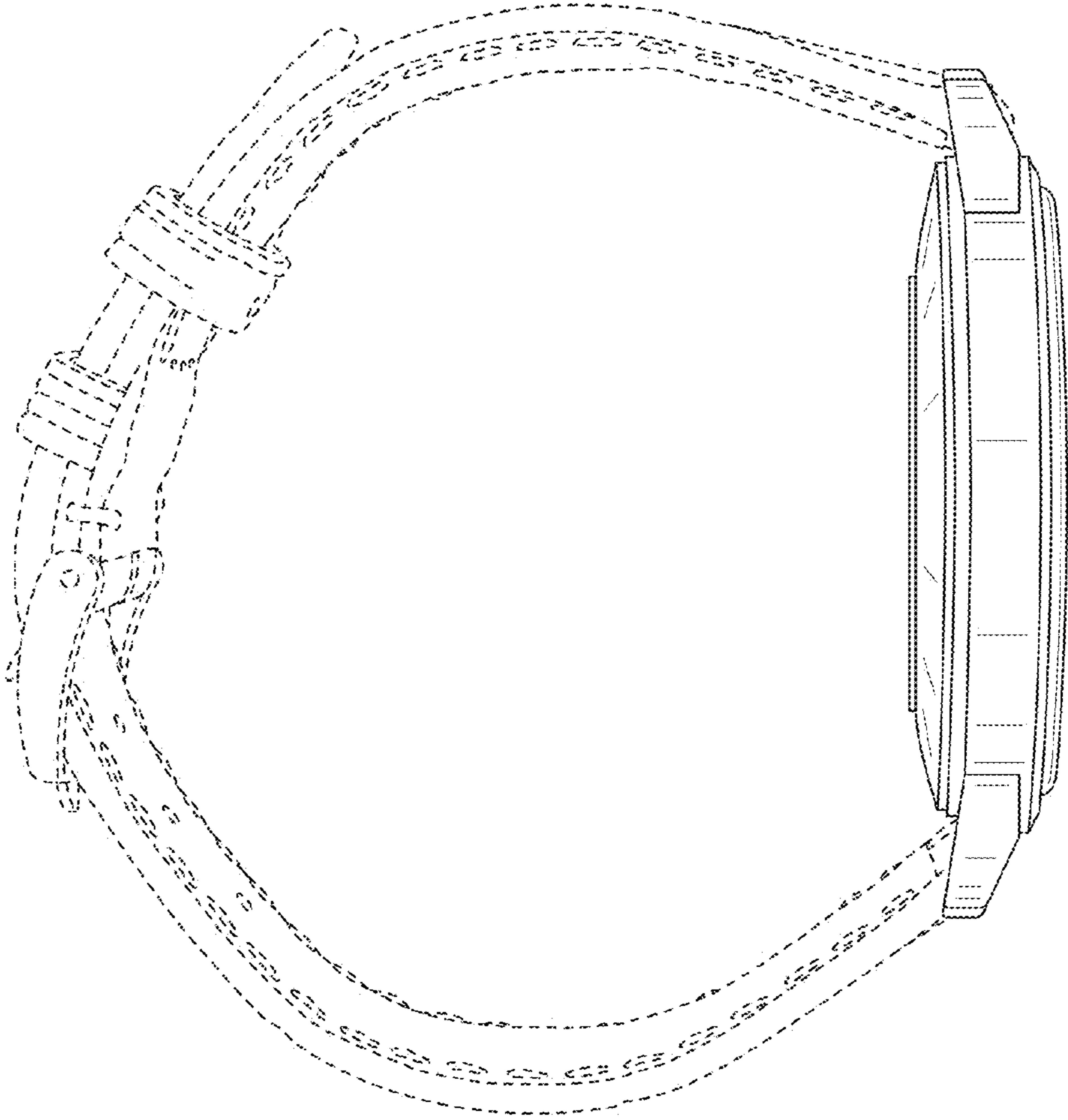


FIG. 4

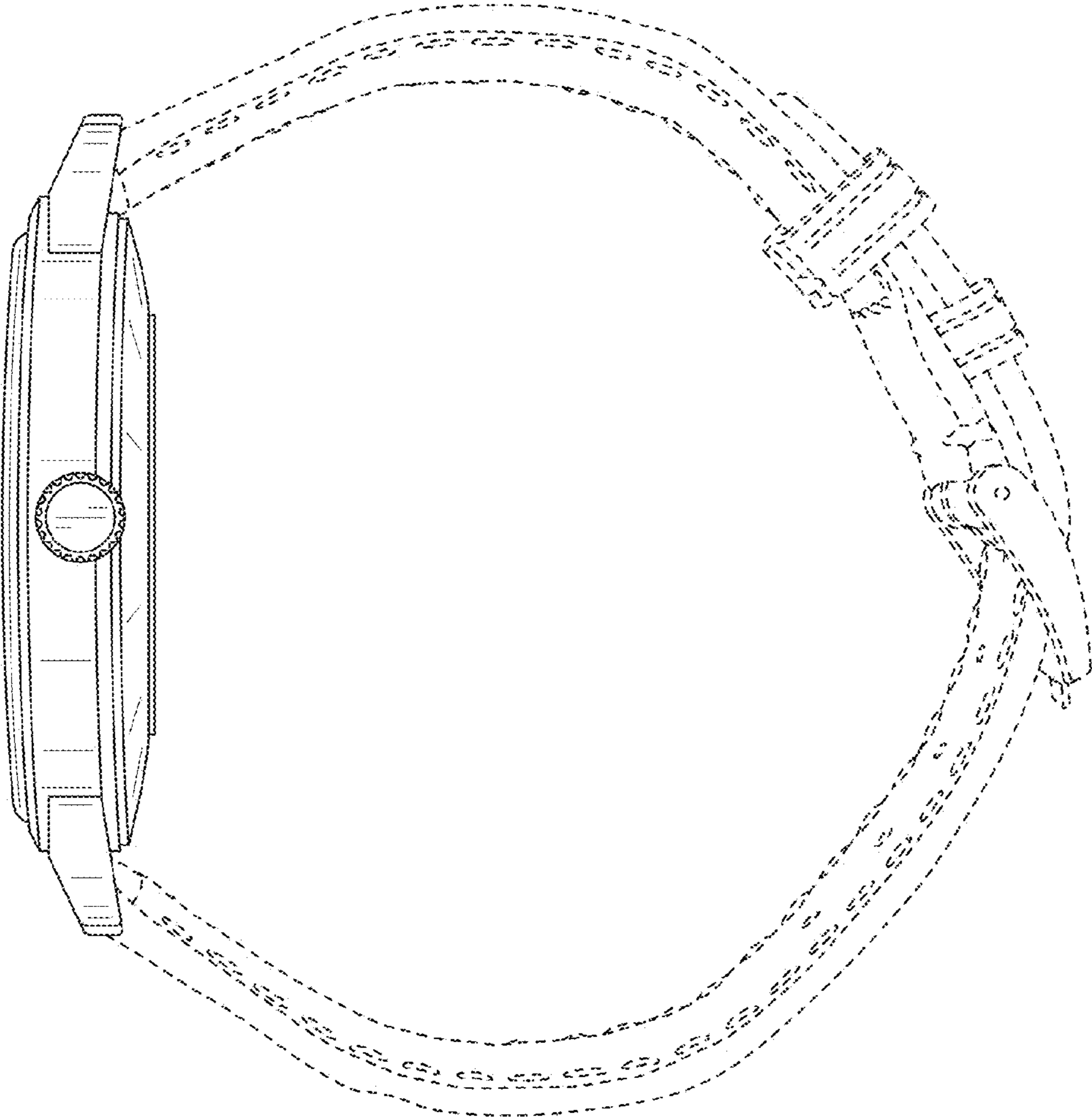


FIG. 5

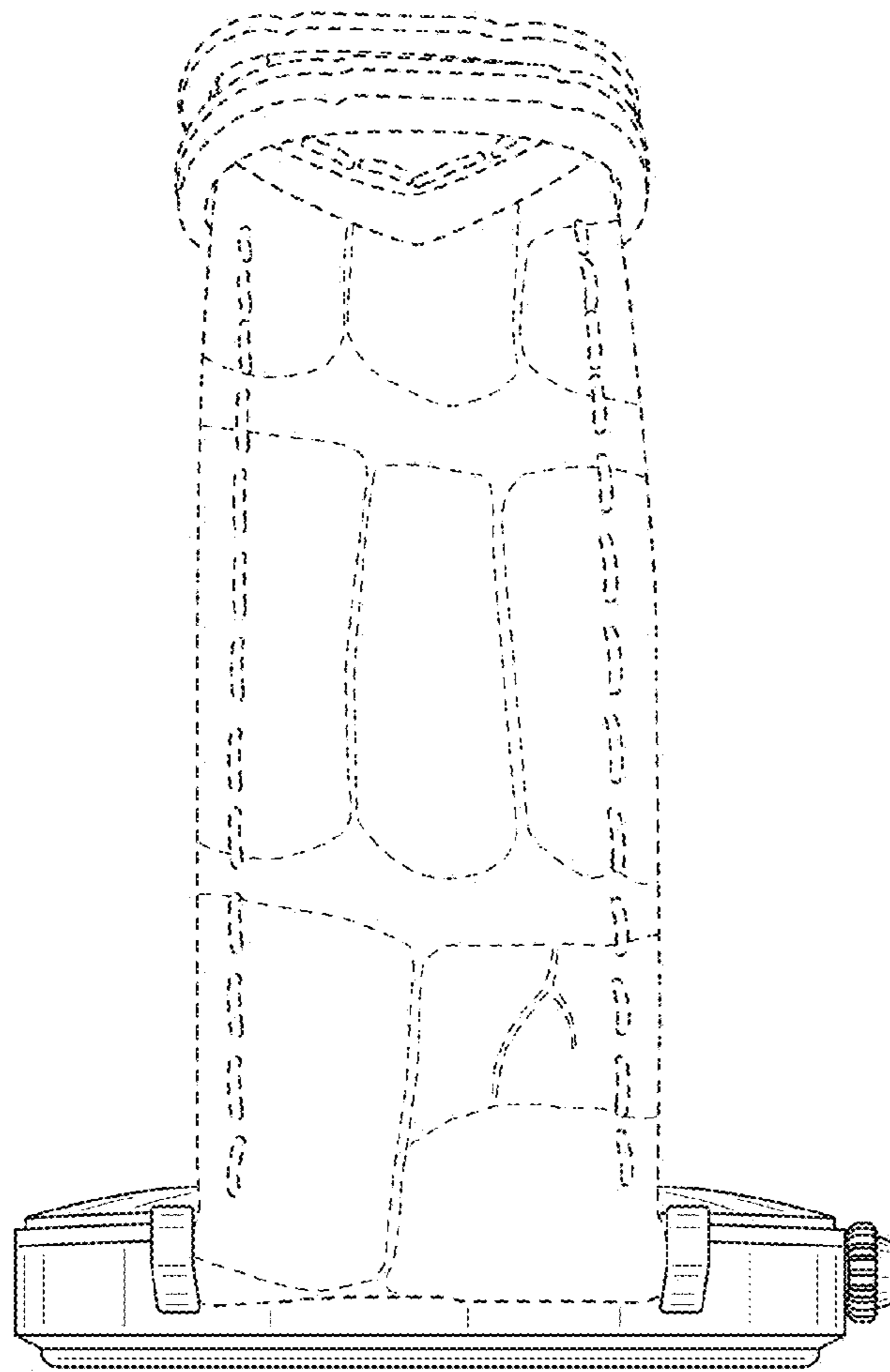


FIG. 6

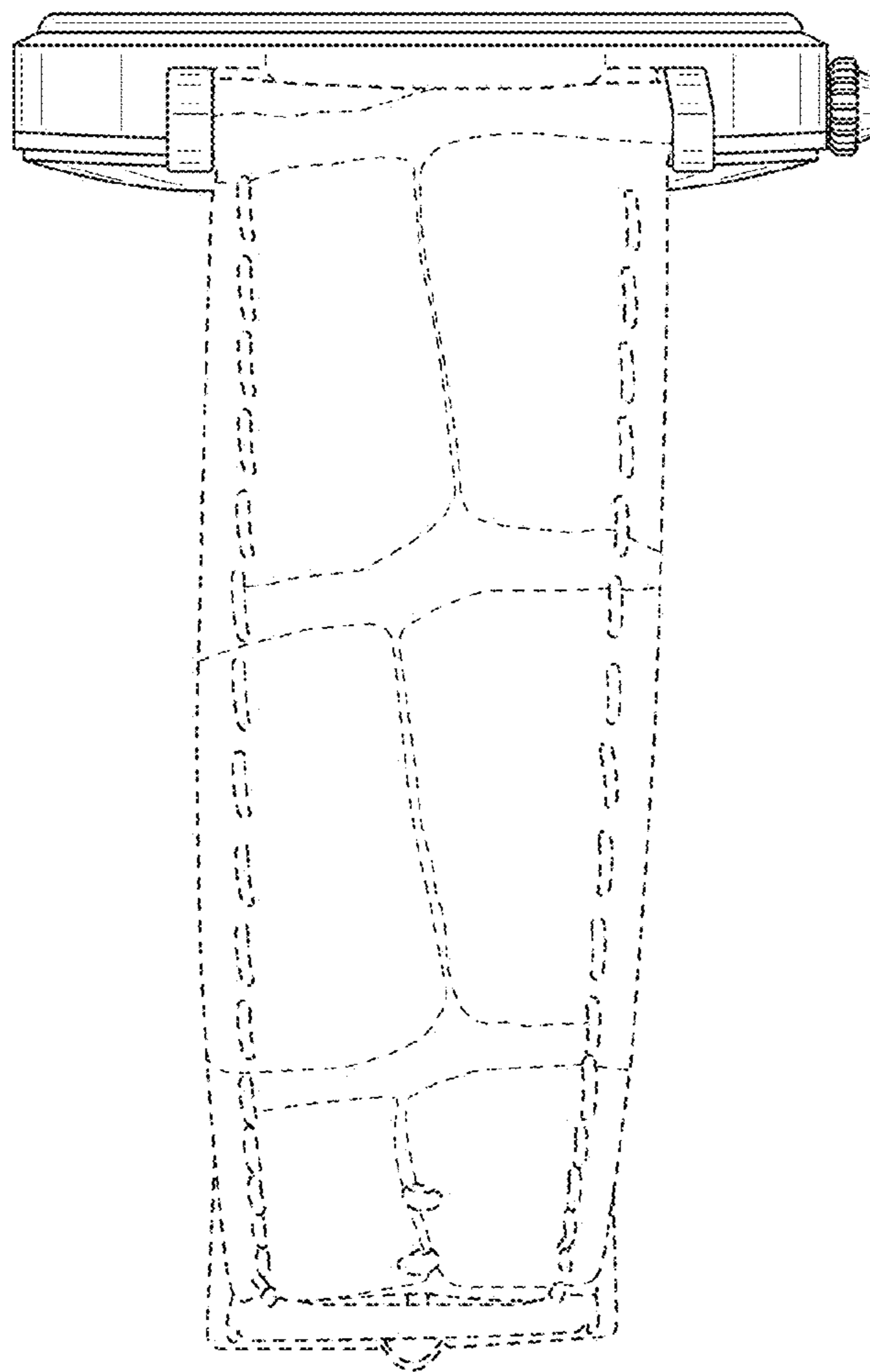


FIG. 7

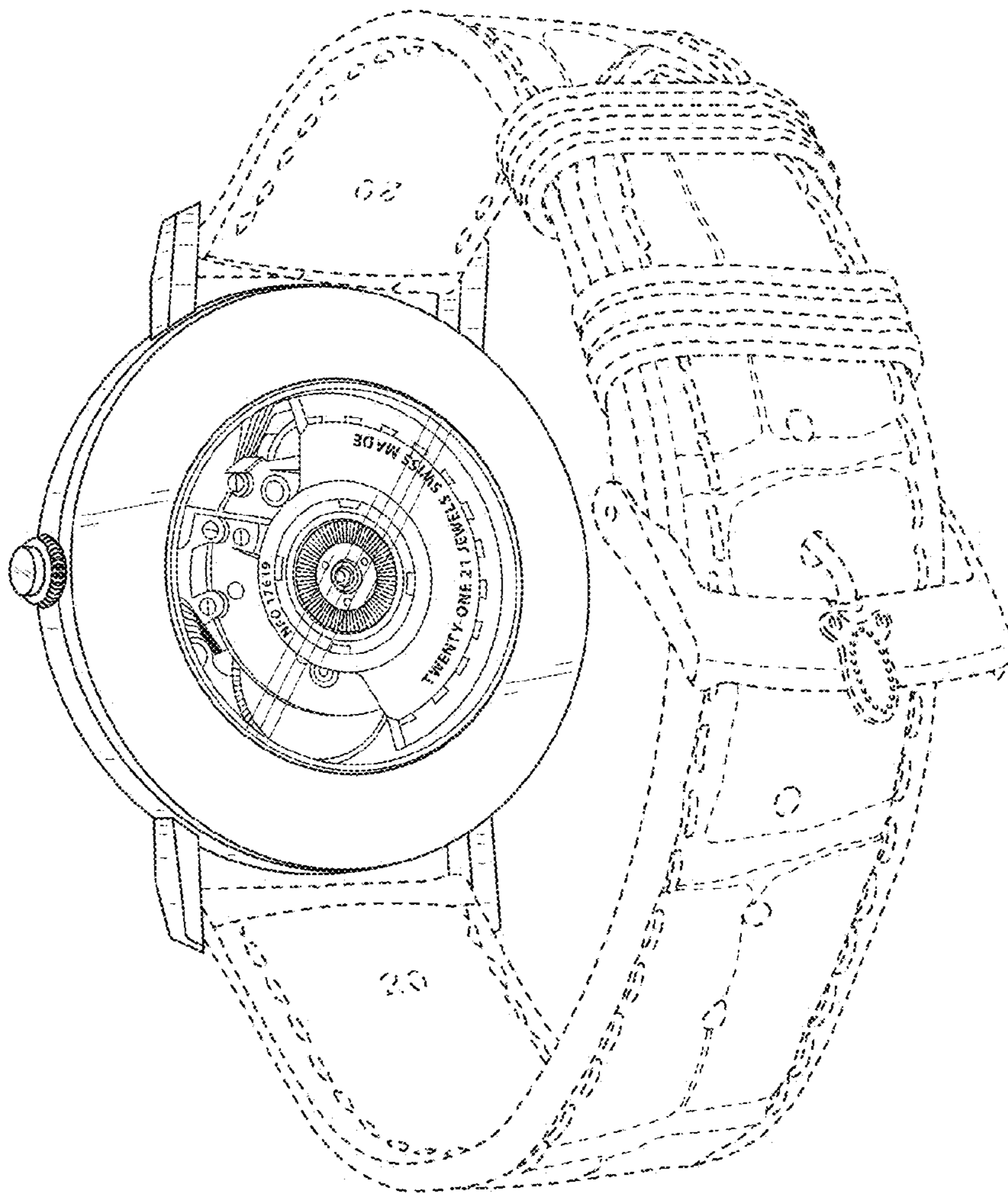


FIG. 8