

US00D725500S

(12) **United States Design Patent**  
**Biver**

(10) **Patent No.:** **US D725,500 S**  
(45) **Date of Patent:** **\*\* Mar. 31, 2015**

(54) **WATCH**

(75) **Inventor:** **Jean-claude Biver**, La Tour-de-Peilz (CH)

(73) **Assignee:** **HUBLLOT SA**, Geneve, Geneva (CH)

(\*\*) **Term:** **14 Years**

(21) **Appl. No.:** **29/425,356**

(22) **Filed:** **Jun. 21, 2012**

(30) **Foreign Application Priority Data**

Dec. 22, 2011 (WO) ..... DM/077 452

(51) **LOC (10) Cl.** ..... **10-02**

(52) **U.S. Cl.**

USPC ..... **D10/39**; D10/124; D10/126; D10/127

(58) **Field of Classification Search**

CPC ..... G04B 19/00; G04B 19/025; G04B 19/04;  
G04B 19/06; G04B 19/24; G04B 19/241;  
G04B 19/243; G04B 19/24313; G04B 37/00;  
G04B 37/0008; G04B 37/18

USPC ..... D10/30-39, 122-132, 1-29; 368/10,  
368/15-19, 21, 28, 29, 34-40, 76-78, 80,  
368/82, 88, 223, 228, 276, 277, 281, 294,  
368/295, 308

See application file for complete search history.

(56) **References Cited**

**U.S. PATENT DOCUMENTS**

2,361,563 A \* 10/1944 Pellaton ..... 368/80  
4,972,393 A \* 11/1990 Sase et al. .... 368/28

D327,445 S \* 6/1992 Fujihara ..... D10/39  
5,220,541 A \* 6/1993 Vuilleumier ..... 368/88  
5,631,878 A \* 5/1997 Chen ..... 368/21  
D474,118 S \* 5/2003 Monachon ..... D10/32  
6,826,122 B2 \* 11/2004 Zaugg ..... 368/28  
D511,695 S \* 11/2005 Hegi ..... D10/39  
D517,432 S \* 3/2006 Laucella ..... D10/39  
D523,357 S \* 6/2006 Kummer ..... D10/38  
D539,674 S \* 4/2007 Vaptzarof ..... D10/38  
D568,180 S \* 5/2008 Laucella ..... D10/39  
D573,488 S \* 7/2008 Sanz ..... D10/39  
D640,146 S \* 6/2011 Tedeschi ..... D10/39  
D642,075 S \* 7/2011 Crocco ..... D10/39  
D648,639 S \* 11/2011 Mille ..... D10/39  
D649,481 S \* 11/2011 Crocco ..... D10/39  
D652,326 S \* 1/2012 Kummer ..... D10/38  
D658,527 S \* 5/2012 Ikezu et al. .... D10/124  
2010/0046328 A1 \* 2/2010 Olsen ..... 368/30

\* cited by examiner

*Primary Examiner* — Martie K Holtje

(74) *Attorney, Agent, or Firm* — Sughrue Mion, PLLC

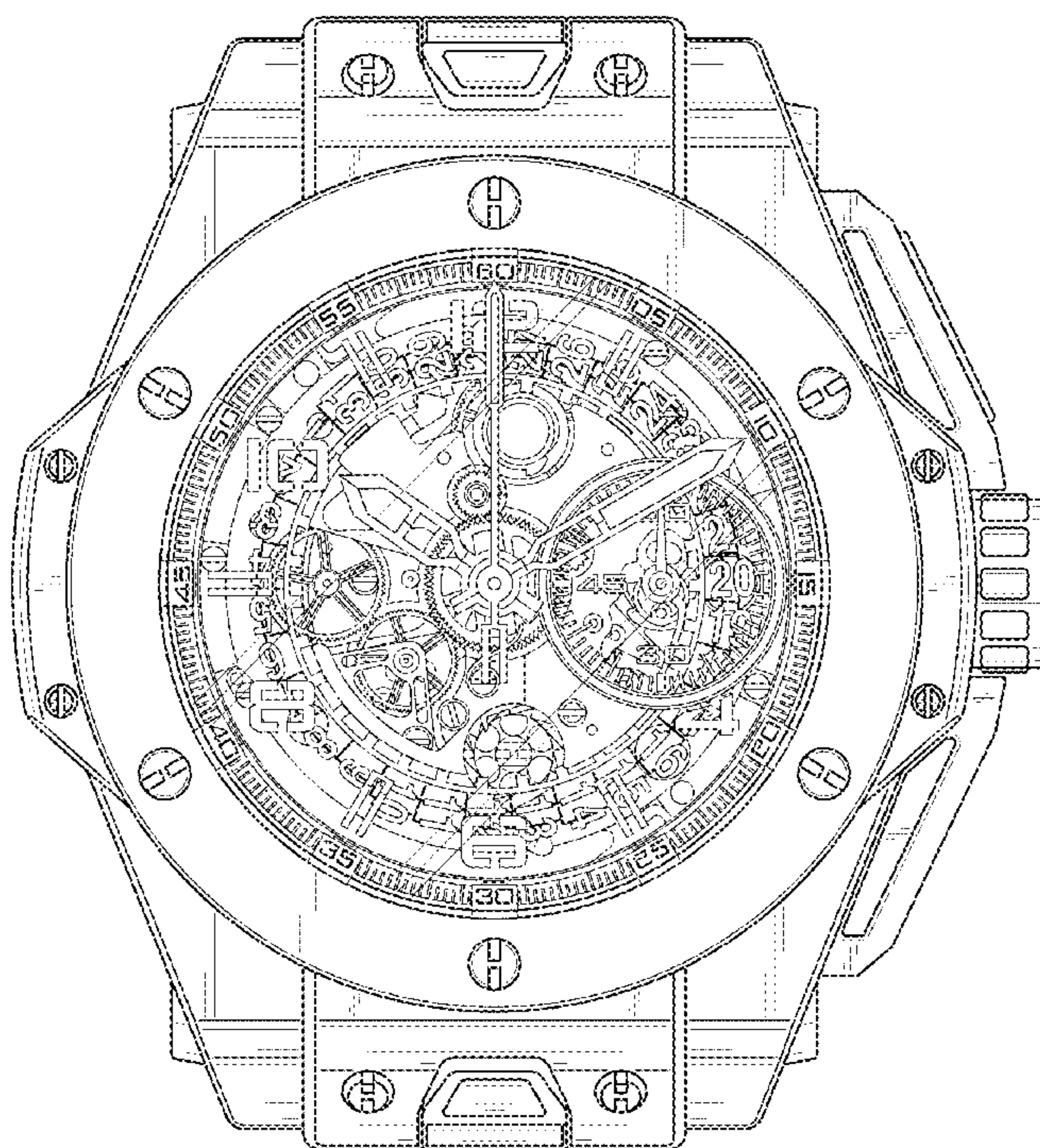
(57) **CLAIM**

The ornamental design for a watch, as shown and described.

**DESCRIPTION**

FIG. 1 is a perspective view of the front and right side of a watch showing my new design;  
FIG. 2 is a front elevational view thereof;  
FIG. 3 is a rear elevational view thereof;  
FIG. 4 is a left side elevational view thereof;  
FIG. 5 is a right side elevational view thereof;  
FIG. 6 is a top plan view thereof; and,  
FIG. 7 is a bottom plan view thereof.

**1 Claim, 7 Drawing Sheets**





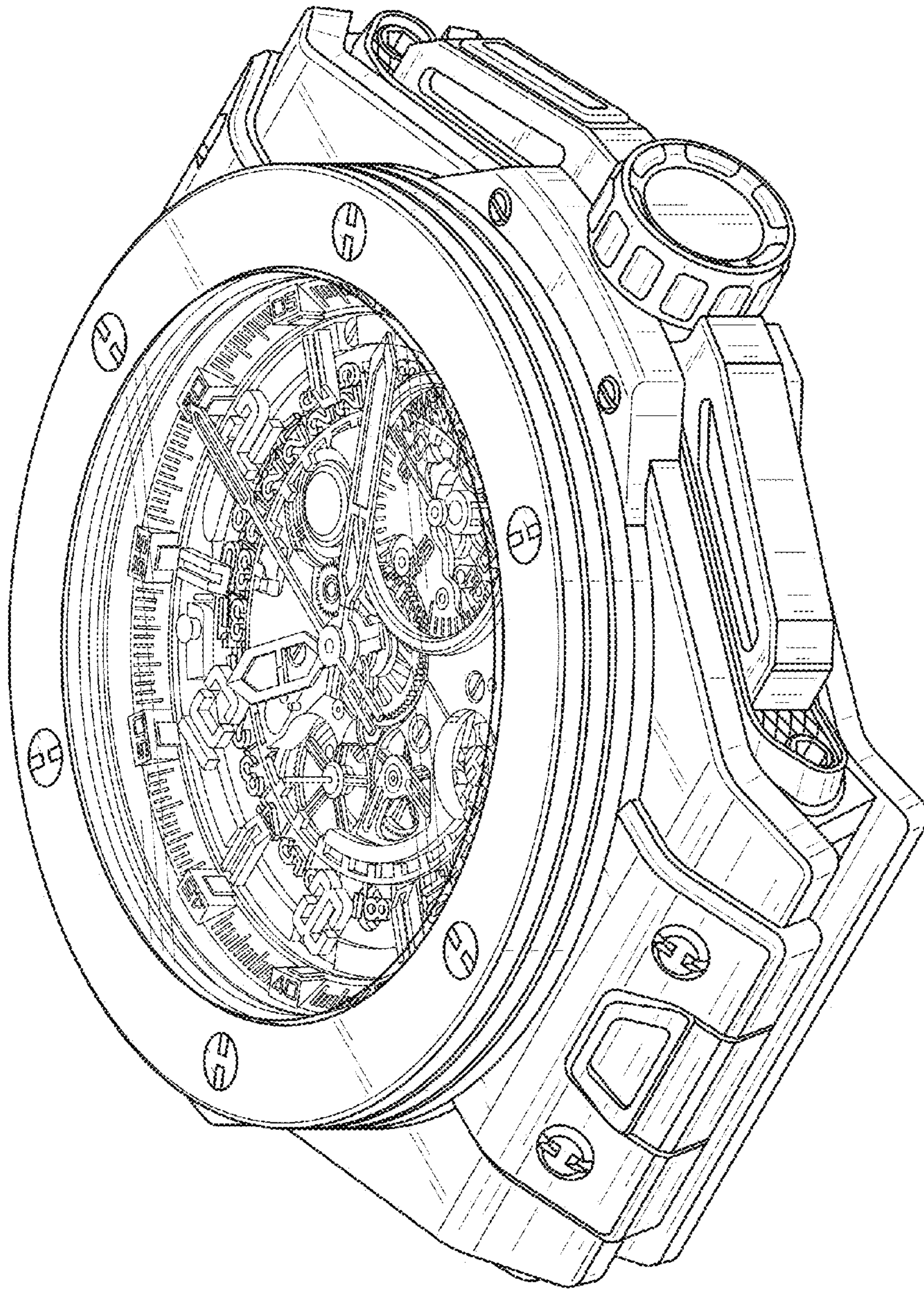


FIG. 1





FIG. 2



FIG. 3



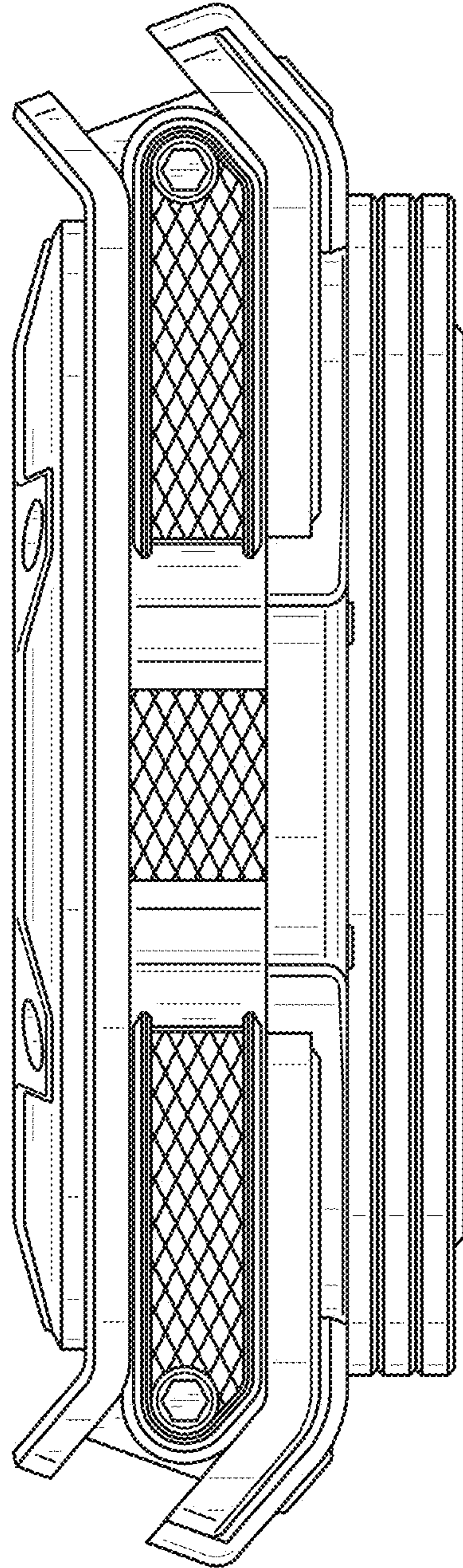


FIG. 4

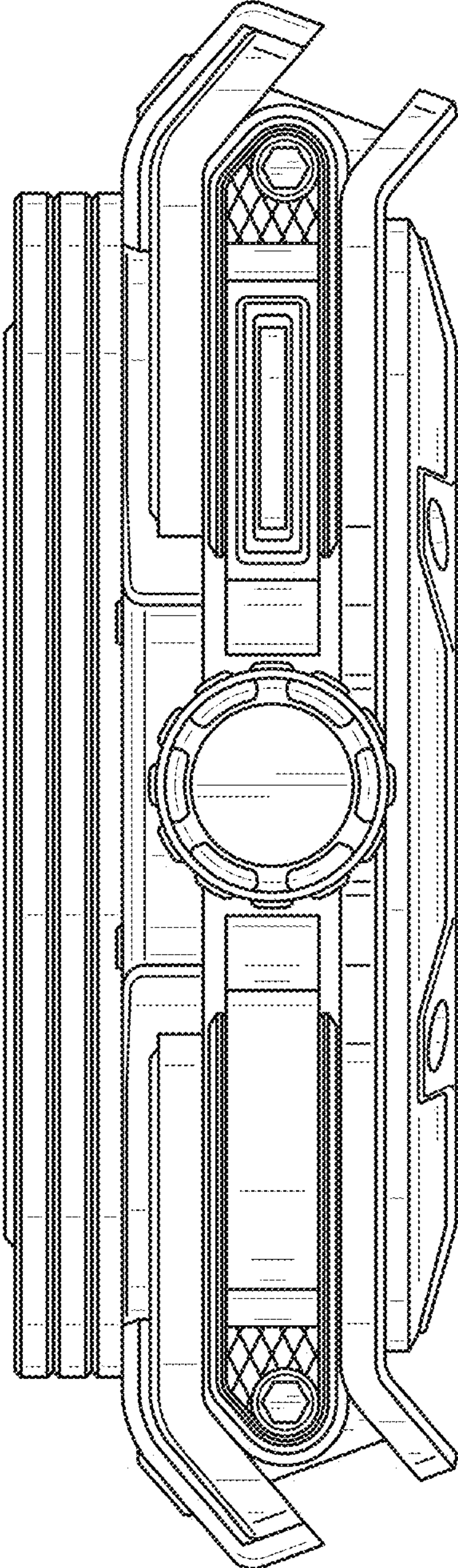


FIG. 5

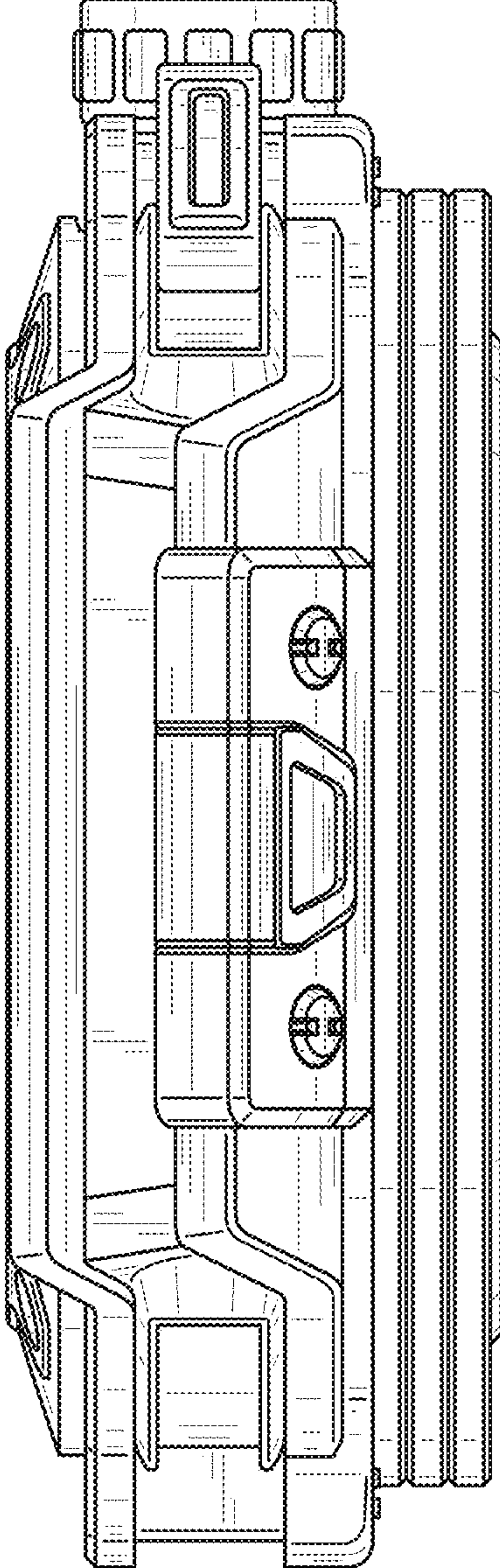


FIG. 6

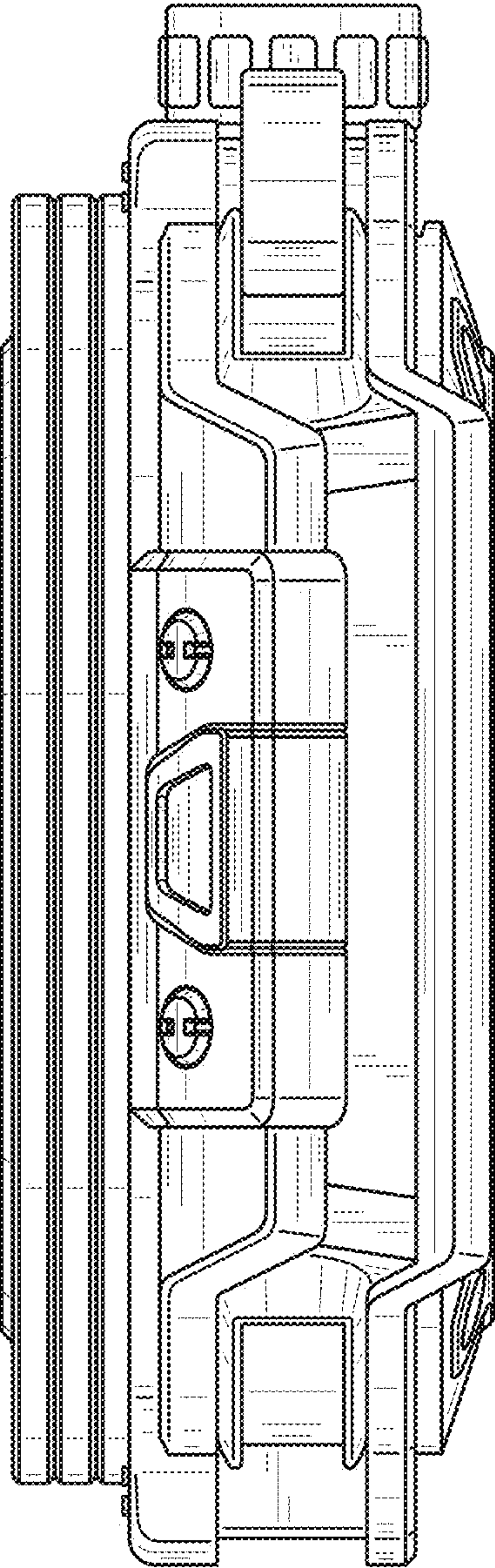


FIG. 7