



US00D725499S

(12) **United States Design Patent**
Belamich

(10) **Patent No.:** **US D725,499 S**
(45) **Date of Patent:** **** Mar. 31, 2015**

- (54) **WATCH**
- (75) **Inventor:** **Bruno Belamich**, Paris (FR)
- (73) **Assignee:** **Bell & Ross B.V.**, Zoetermeer (NL)
- (**) **Term:** **14 Years**
- (21) **Appl. No.:** **29/425,099**
- (22) **Filed:** **Jun. 20, 2012**
- (30) **Foreign Application Priority Data**
 - Feb. 14, 2012 (WO) DM/77808
- (51) **LOC (10) Cl.** **10-02**
- (52) **U.S. Cl.**
 - USPC **D10/39; D10/124; D10/126**
- (58) **Field of Classification Search**
 - CPC G01C 19/42; G01C 23/00; G01C 23/005;
G04C 23/02; G04C 23/04; G04B 37/00;
G04B 37/0058; G04B 37/086; G04B 39/006;
G04B 45/00; G04B 45/0069; G04B 45/0076;
G04B 47/06; G04G 9/02
 - USPC D10/30-39, 122-132, 1-29, 67, 74;
368/10, 14, 80, 82, 88, 276, 277, 278,
368/281, 282, 294, 295, 309; 73/488, 495;
340/945-947, 967, 974-976

See application file for complete search history.

3,967,236 A *	6/1976	Dietrich	340/946
4,212,159 A *	7/1980	Noble et al.	368/82
4,218,873 A *	8/1980	Lang	368/281
4,390,288 A *	6/1983	Arnoux	368/276
4,620,798 A *	11/1986	Scarizzi	368/276
D288,412 S *	2/1987	Nunes	D10/6
D290,937 S *	7/1987	Devino	D10/67
5,412,382 A *	5/1995	Leard et al.	340/974
D365,281 S *	12/1995	Ng	D10/25
D381,919 S *	8/1997	Stecher	D10/24
6,587,400 B1 *	7/2003	Line	368/88
D537,371 S *	2/2007	Belamich	D10/39
D577,611 S *	9/2008	Lalo	D10/32
D578,412 S *	10/2008	Belamich	D10/39
D588,025 S *	3/2009	Belamich	D10/39
D594,352 S *	6/2009	Belamich	D10/39
D598,304 S *	8/2009	Belamich	D10/39
D604,645 S *	11/2009	Belamich	D10/35
D604,646 S *	11/2009	Belamich	D10/38

* cited by examiner

Primary Examiner — Martie K Holtje
(74) *Attorney, Agent, or Firm* — Marshall, Gerstein & Borun LLP

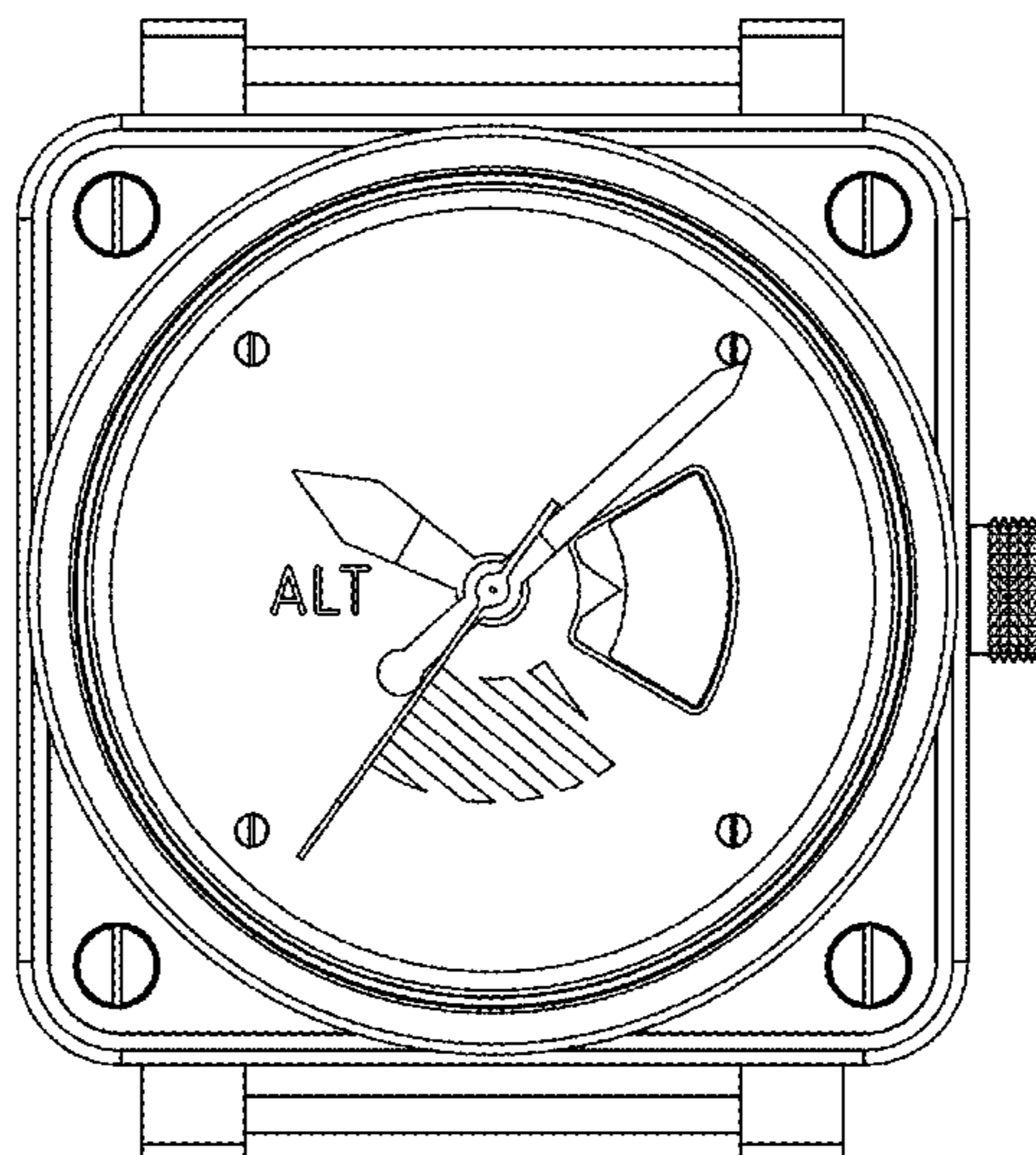
(57) **CLAIM**
The ornamental design for a watch, as shown and described.

DESCRIPTION

FIG. 1 is a bottom view of a watch that has the design.
FIG. 2 is a right side elevation view of the watch.
FIG. 3 is a front elevation view of the watch
FIG. 4 is a left side elevation view of the watch.
FIG. 5 is a rear elevation view of the watch.
FIG. 6 is a top view of the watch; and,
FIG. 7 is a right front perspective view of the watch.
The structural elements depicted by broken lines in the drawing views have been shown for the purpose of illustrating portions of the watch that form no part of the claimed design.

1 Claim, 7 Drawing Sheets

- (56) **References Cited**
 - U.S. PATENT DOCUMENTS
 - 2,141,555 A * 12/1938 Reid 73/495
 - 2,946,053 A * 7/1960 Dayton 342/411
 - D190,763 S * 6/1961 Varner et al. D10/74
 - 3,521,227 A * 7/1970 Izumi et al. 340/973
 - 3,890,614 A * 6/1975 Argentieri et al. 342/177
 - D237,594 S * 11/1975 Vetter D10/67
 - D240,028 S * 5/1976 Dietrich D10/127



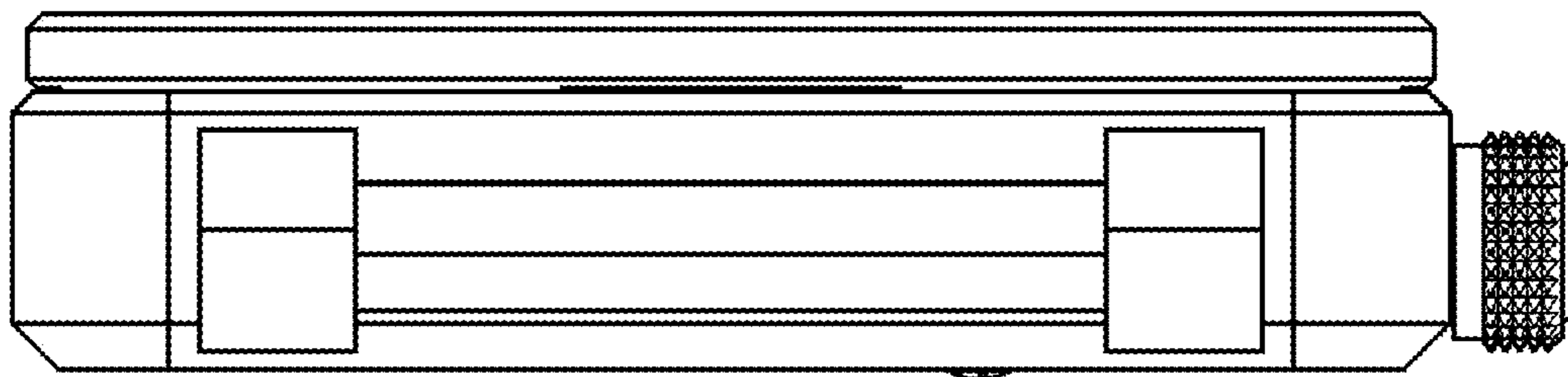


Fig. 1

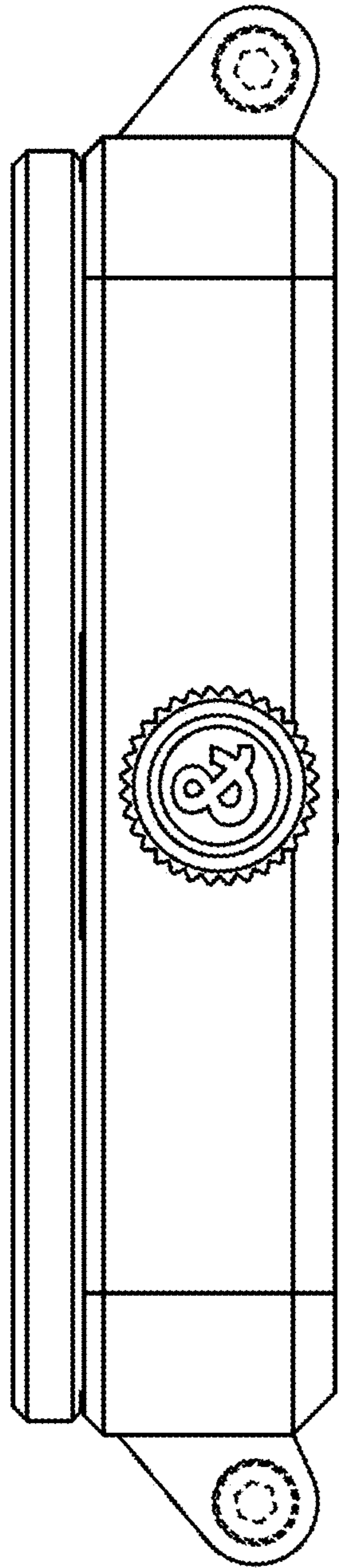


Fig. 2

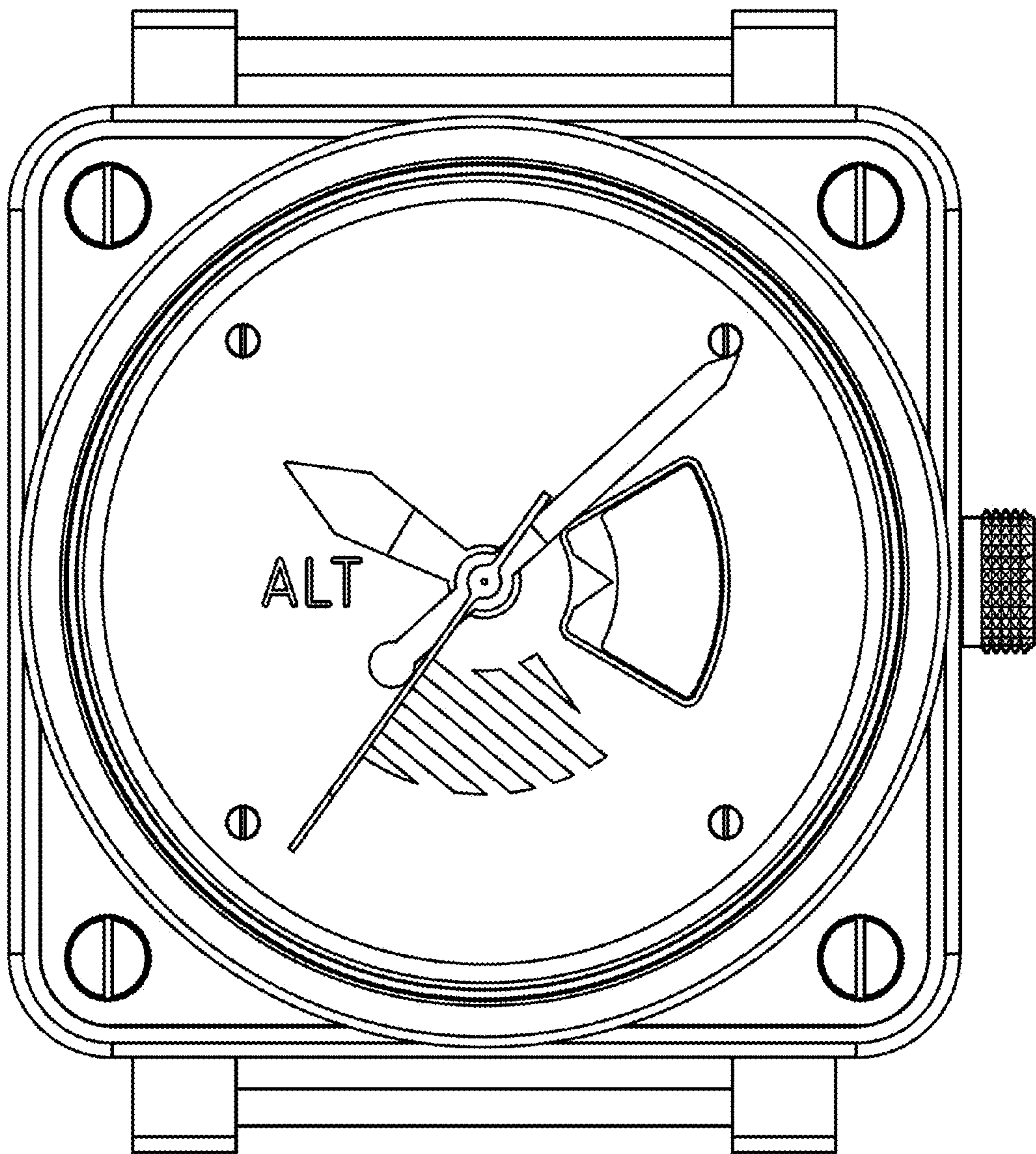


Fig. 3

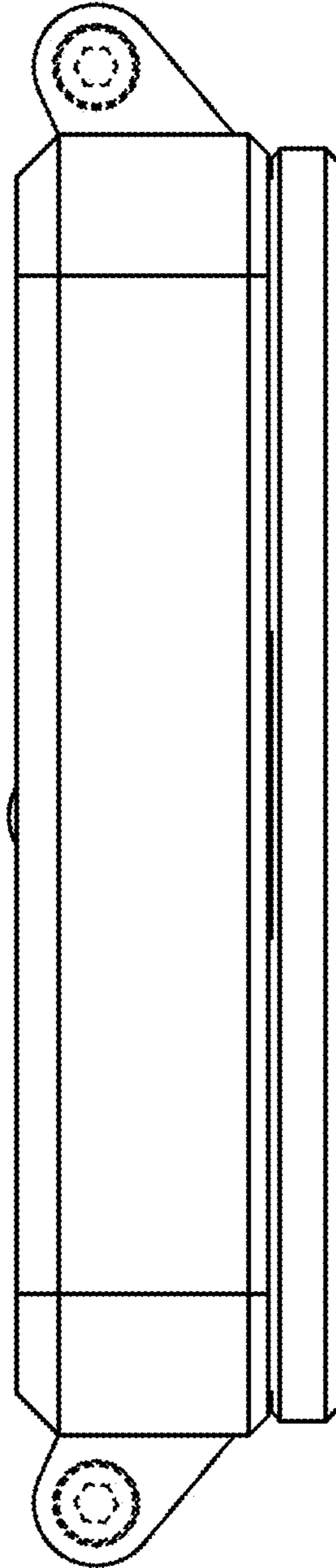


Fig. 4

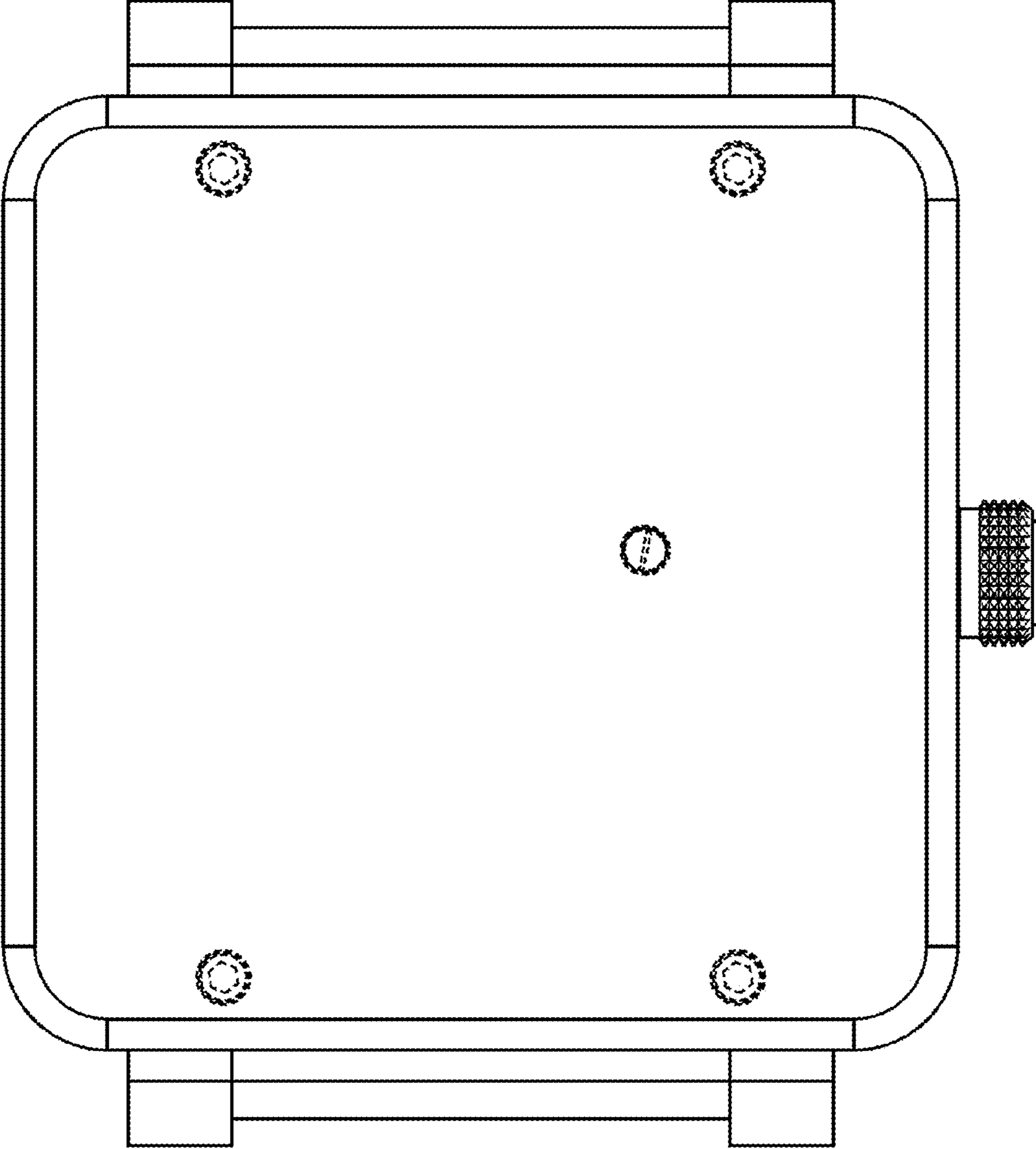


Fig. 5

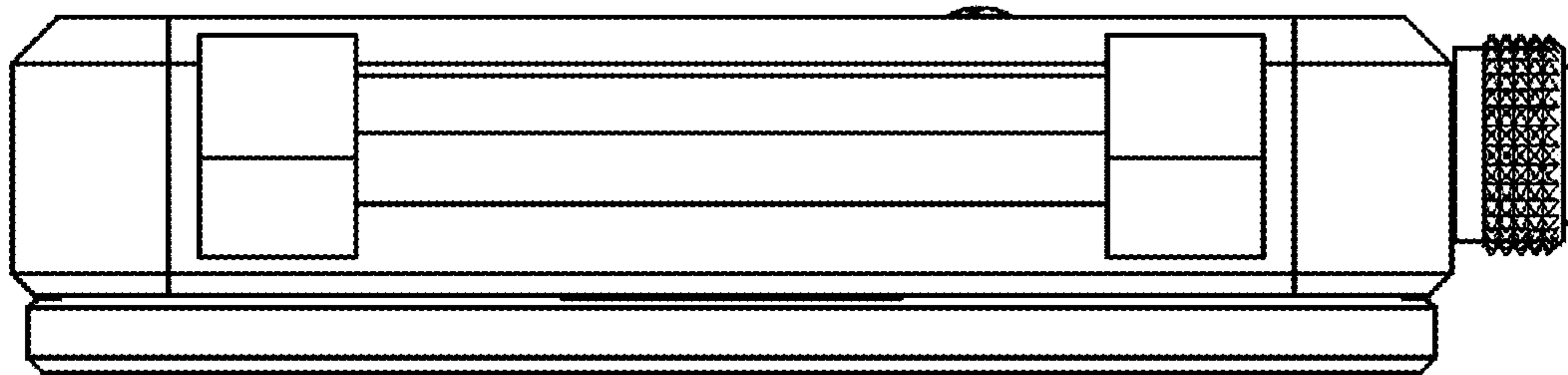


Fig. 6

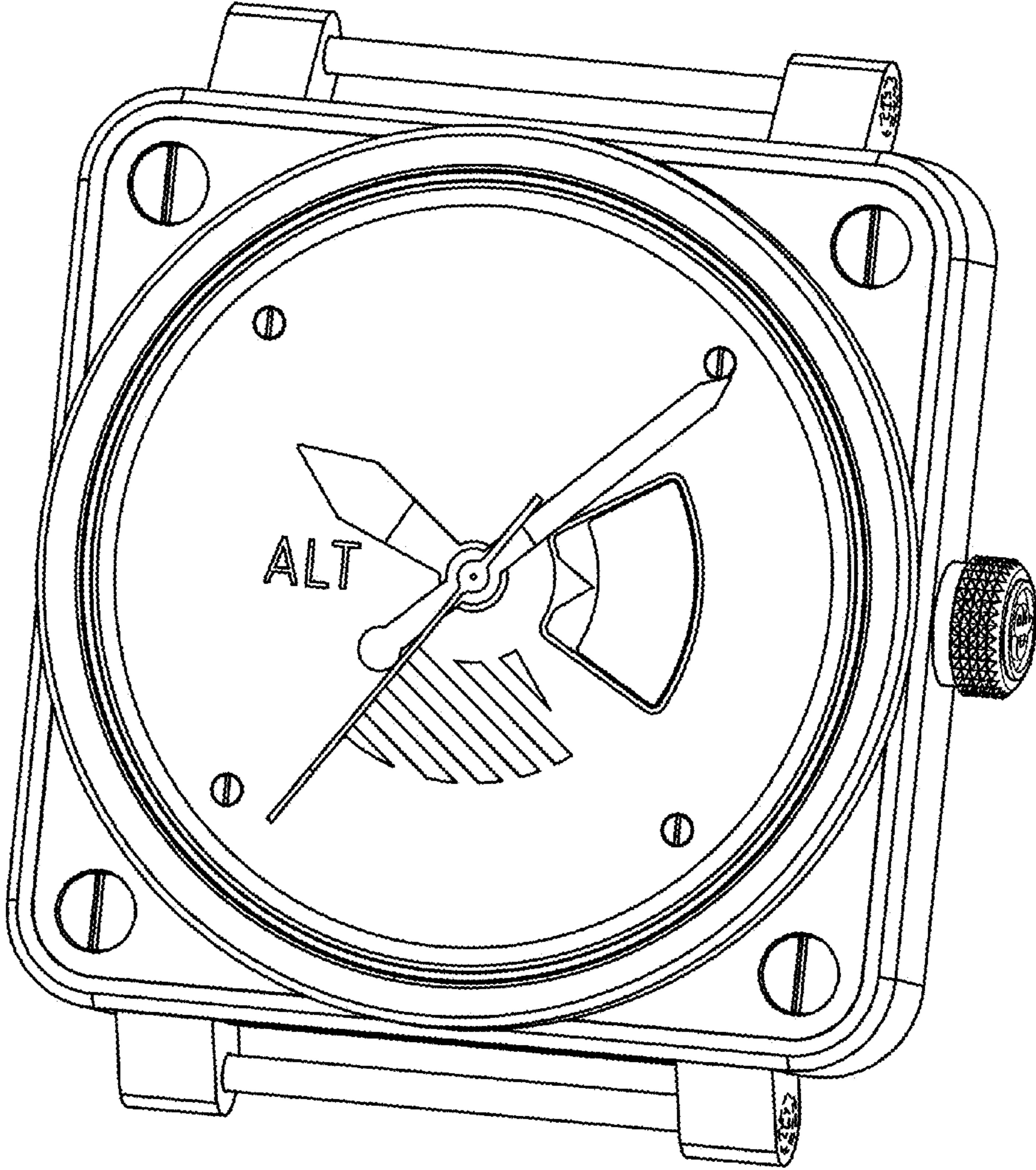


Fig. 7