



US00D725498S

(12) **United States Design Patent**
Belamich

(10) **Patent No.:** **US D725,498 S**
(45) **Date of Patent:** **** Mar. 31, 2015**

(54) **WATCH**

(75) **Inventor:** **Bruno Belamich, Paris (FR)**

(73) **Assignee:** **Bell & Ross B.V., Zoetermeer (NL)**

(**) **Term:** **14 Years**

(21) **Appl. No.:** **29/425,091**

(22) **Filed:** **Jun. 20, 2012**

(30) **Foreign Application Priority Data**

Feb. 14, 2012 (WO) DM/077 808

(51) **LOC (10) Cl.** **10-02**

(52) **U.S. Cl.**
USPC **D10/39; D10/124; D10/126**

(58) **Field of Classification Search**
CPC G01C 19/42; G01C 23/00; G01C 23/005;
G04C 23/02; G04C 23/04; G04B 37/00;
G04B 37/0058; G04B 37/086; G04B 39/006;
G04B 45/00; G04B 45/0069; G04B 45/0076;
G04B 47/06; G04G 9/02
USPC D10/30-39, 122-132, 1-29, 67, 74;
368/10, 14, 80, 82, 88, 276-278, 281,
368/282, 294, 295, 309; 73/178 R, 488,
73/495; 340/945-947, 967, 973-976;
342/176, 177, 411
See application file for complete search history.

(56) **References Cited**

U.S. PATENT DOCUMENTS

2,141,555 A * 12/1938 Reid 73/495
2,946,053 A * 7/1960 Dayton 342/411
D190,763 S * 6/1961 Varner D10/74
3,521,227 A * 7/1970 Izumi et al. 340/973
3,890,614 A * 6/1975 Argentieri et al. 342/177
D237,594 S * 11/1975 Vetter D10/67
D240,028 S * 5/1976 Dietrich D10/127

3,967,236 A * 6/1976 Dietrich 340/946
4,212,159 A * 7/1980 Noble et al. 368/82
4,218,873 A * 8/1980 Lang 368/281
4,283,705 A * 8/1981 James et al. 340/973
4,368,517 A * 1/1983 Lovering 701/16
4,390,288 A * 6/1983 Arnoux 368/276
4,620,798 A * 11/1986 Scarinzi 368/276
D288,412 S * 2/1987 Nunes D10/6
D290,937 S * 7/1987 Devino D10/67
5,359,890 A * 11/1994 Fulton et al. 73/178 R
5,412,382 A * 5/1995 Leard et al. 340/974
D365,281 S * 12/1995 Ng D10/25
D381,919 S * 8/1997 Stecher D10/24
6,587,400 B1 * 7/2003 Line 368/88
D537,371 S * 2/2007 Belamich D10/39
D577,611 S * 9/2008 Lalo D10/32
D578,412 S * 10/2008 Belamich D10/39
D581,814 S * 12/2008 Baer D10/38
D588,025 S * 3/2009 Belamich D10/39
D594,352 S * 6/2009 Belamich D10/39
D598,304 S * 8/2009 Belamich D10/39

* cited by examiner

Primary Examiner — Martie K Holtje

(74) *Attorney, Agent, or Firm* — Marshall, Gerstein & Borun LLP

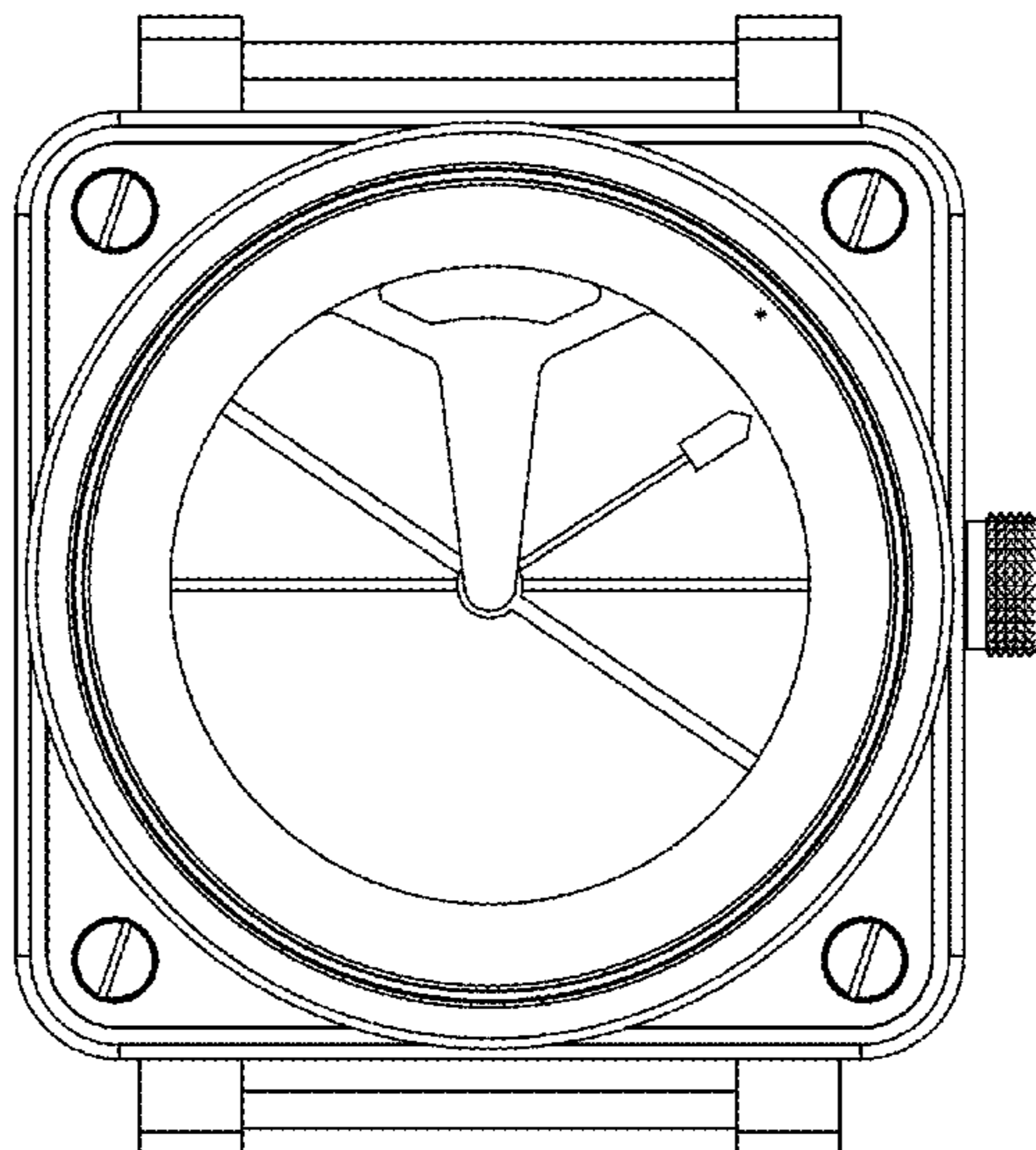
(57) **CLAIM**

The ornamental design for a watch, as shown and described.

DESCRIPTION

FIG. 1 is a bottom view of a watch that has the design.
FIG. 2 is a right side elevation view of the watch.
FIG. 3 is a front elevation view of the watch
FIG. 4 is a left side elevation view of the watch.
FIG. 5 is a rear elevation view of the watch.
FIG. 6 is a top view of the watch; and,
FIG. 7 is a right front perspective view of the watch.
The structural elements depicted by broken lines in the drawing views have been shown for the purpose of illustrating portions of the watch that form no part of the claimed design.

1 Claim, 7 Drawing Sheets



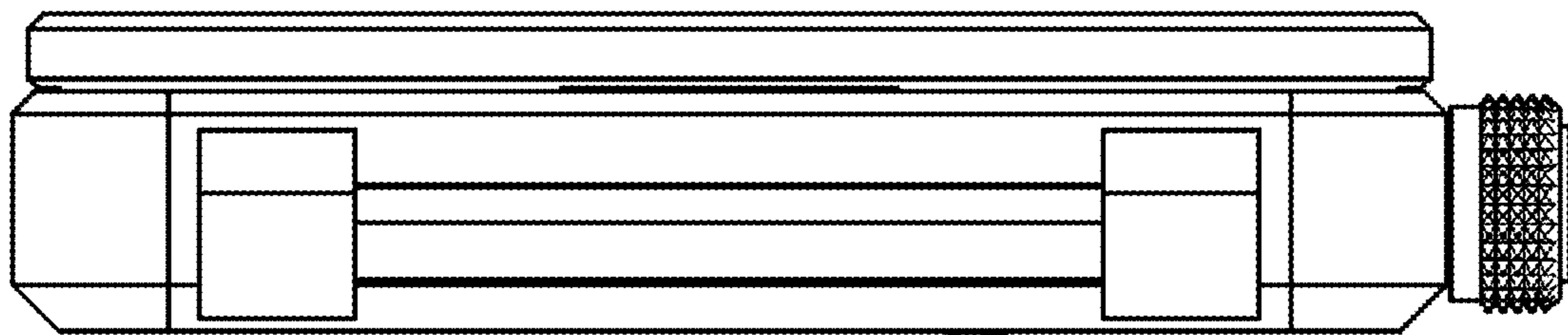


Fig. 1

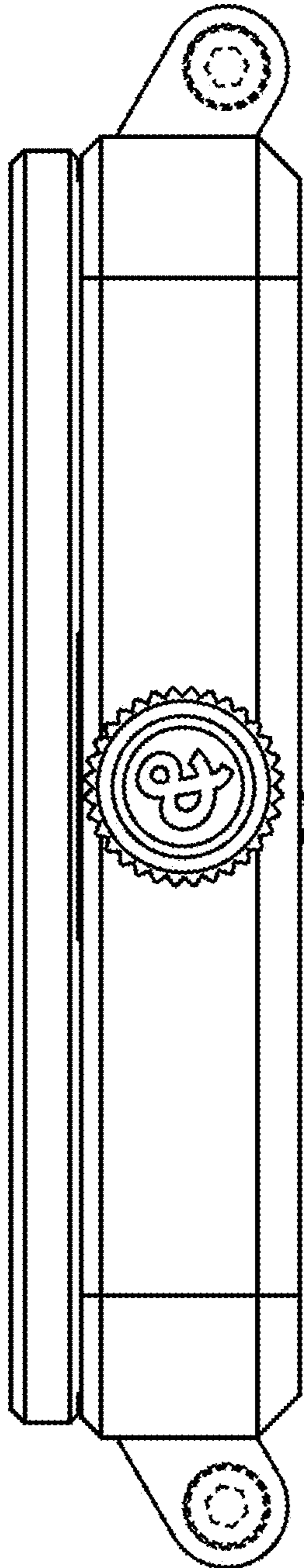


Fig. 2

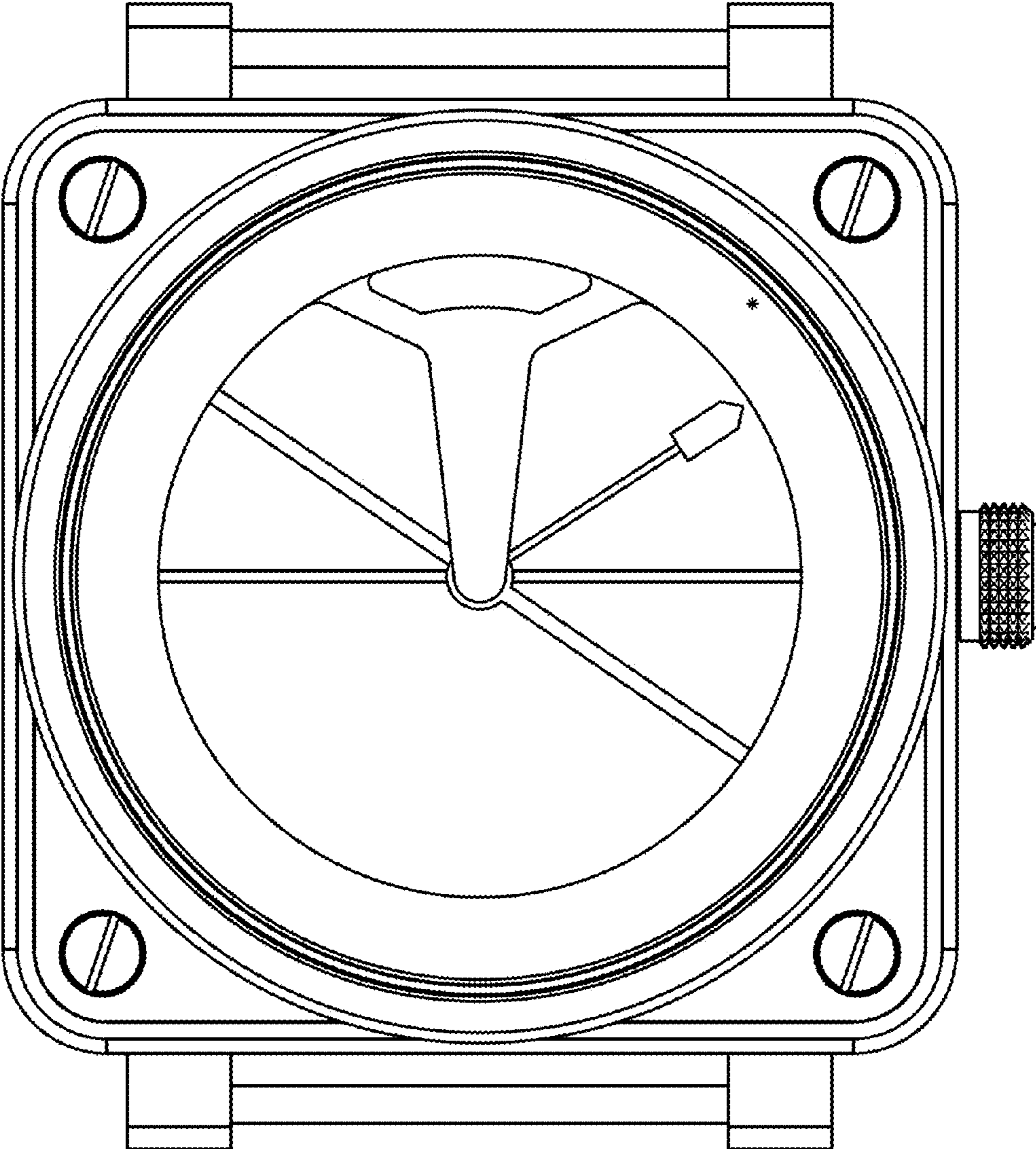


Fig. 3

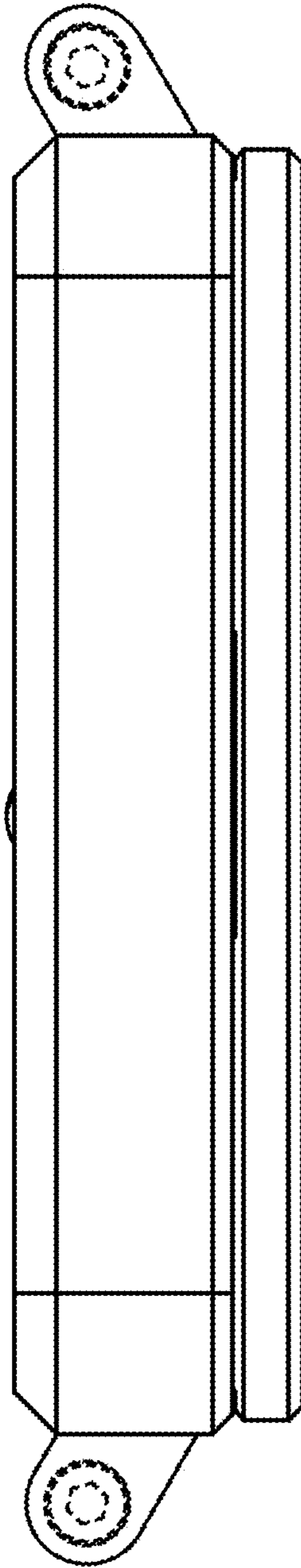


Fig. 4

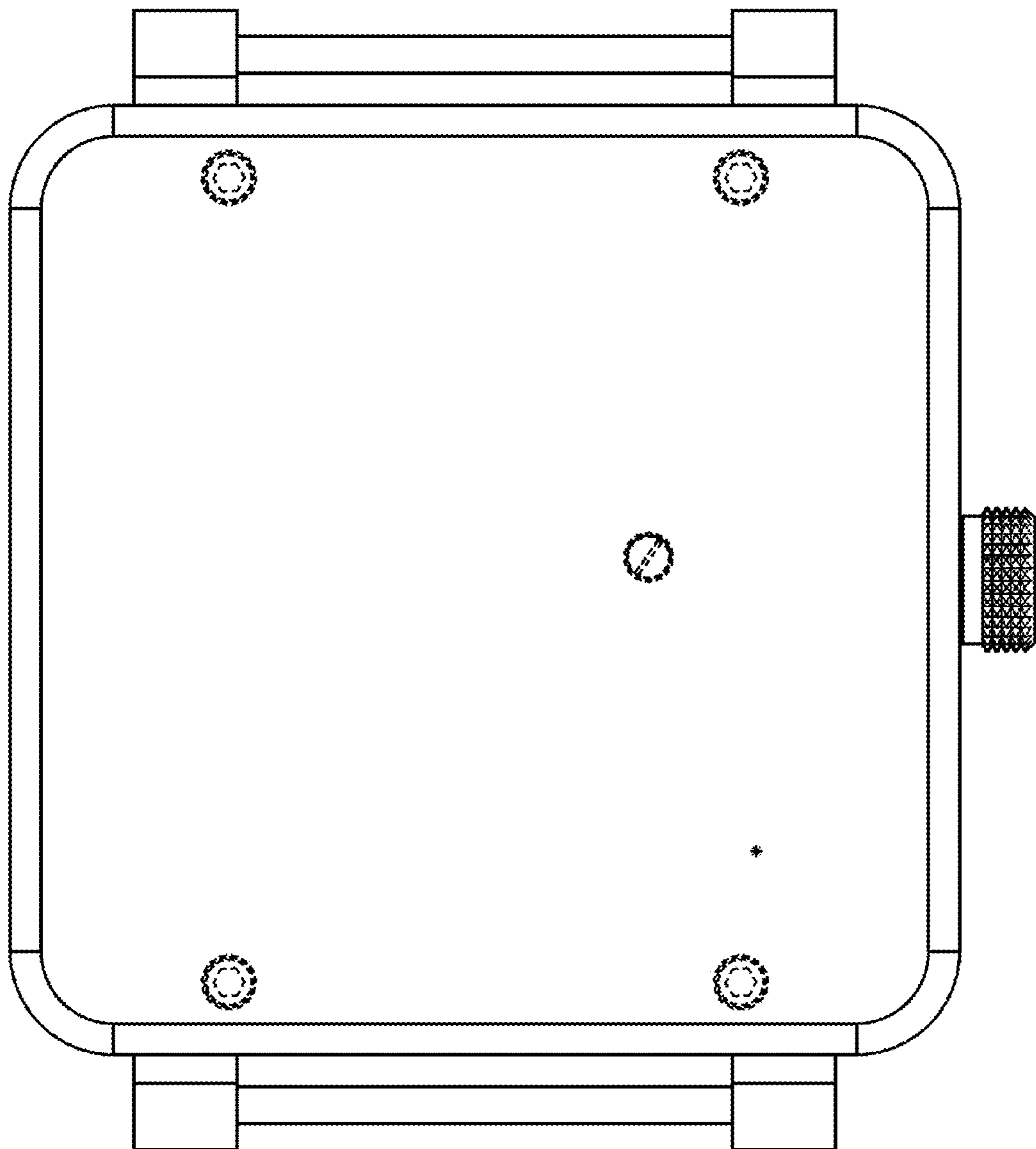


Fig. 5

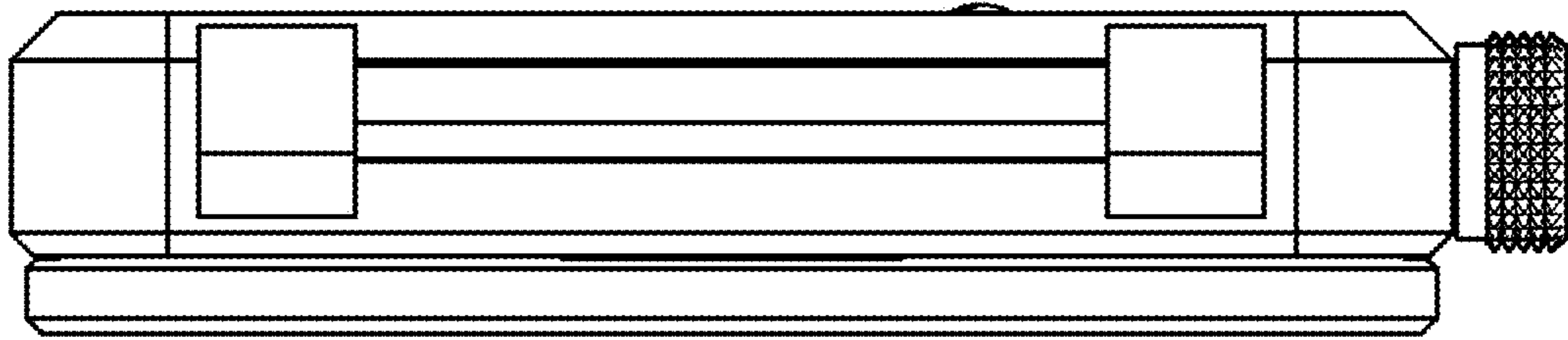


Fig. 6

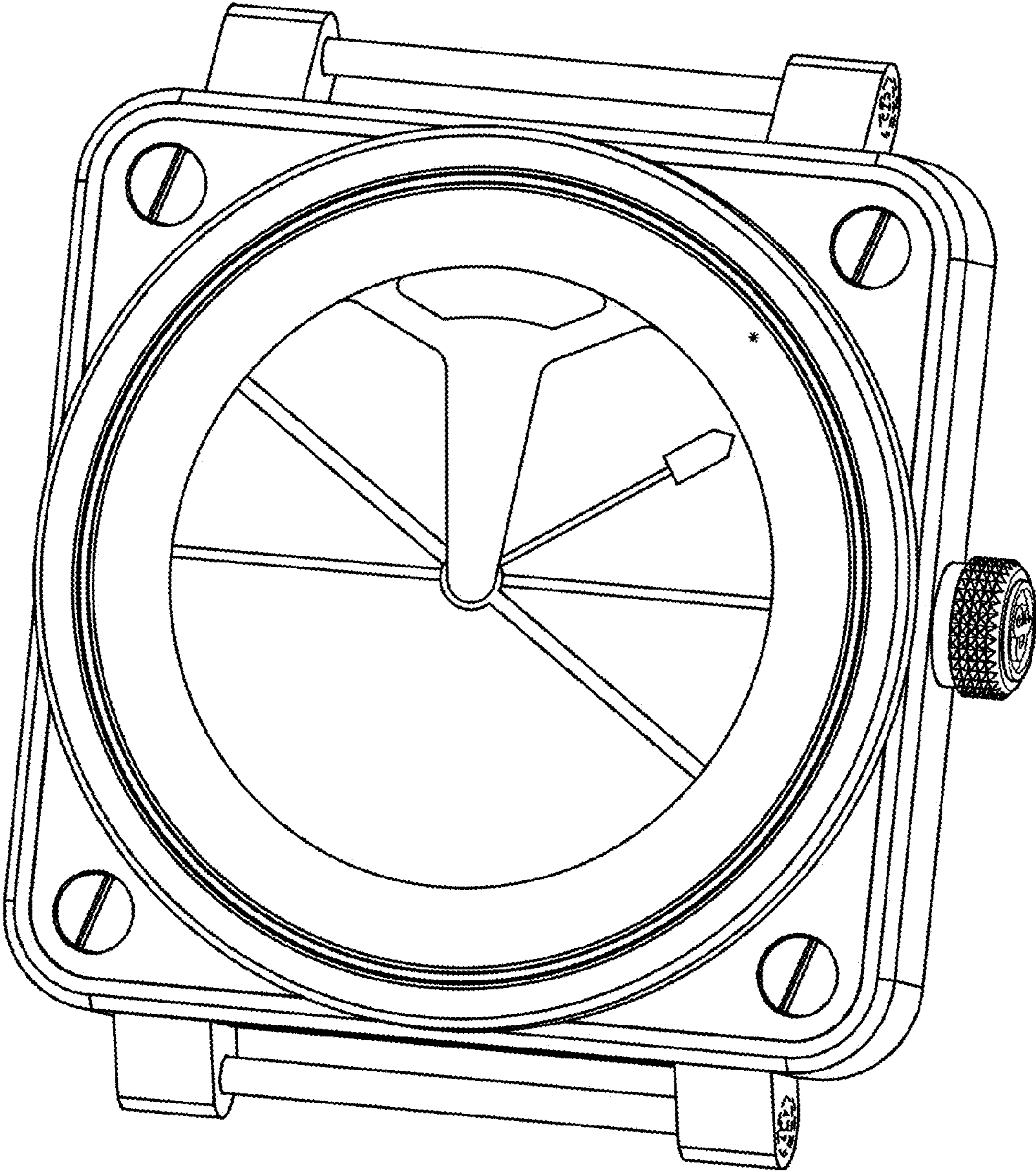


Fig. 7