



US00D725497S

(12) **United States Design Patent**
Henne et al.

(10) **Patent No.:** **US D725,497 S**
(45) **Date of Patent:** **** Mar. 31, 2015**

(54) **WATCH**

(75) Inventors: **Peter J. Henne**, Overland Park, KS (US); **Jonathan R. Hosler**, Overland Park, KS (US); **Todd P. Register**, Olathe, KS (US)

(73) Assignee: **Garmin Switzerland GmbH** (CH)

(**) Term: **14 Years**

(21) Appl. No.: **29/417,510**

(22) Filed: **Apr. 4, 2012**

(51) **LOC (10) Cl.** **10-02**

(52) **U.S. Cl.**
USPC **D10/38**

(58) **Field of Classification Search**
CPC G04B 37/0008; G04B 37/0058; G04B 37/18; G04G 17/08
USPC D10/30-39; 368/276, 281, 282, 285, 368/288, 289, 290, 301, 306, 308, 316, 368/318; D24/167; D14/344; D11/3; 224/164
See application file for complete search history.

(56) **References Cited**

U.S. PATENT DOCUMENTS

D331,020	S	*	11/1992	Ishii et al.	D10/31
5,768,217	A	*	6/1998	Sonoda et al.	368/10
D452,005	S	*	12/2001	Rantala	D24/165
D452,006	S	*	12/2001	Komulainen	D24/167
D454,506	S	*	3/2002	Sato	D10/32
D474,982	S	*	5/2003	Wilson	D10/32
D501,836	S	*	2/2005	Lowinger	D14/138 R
D507,498	S	*	7/2005	Hung	D10/31
D518,742	S	*	4/2006	Yan	D10/32
D528,928	S	*	9/2006	Burton	D10/38
D553,512	S	*	10/2007	Tang	D10/32
D564,366	S	*	3/2008	Yeh et al.	D10/30
D584,170	S	*	1/2009	Morrison	D10/32
D596,510	S	*	7/2009	Register et al.	D10/38

D637,506	S	*	5/2011	Toyoshima et al.	D10/70
D637,918	S	*	5/2011	Cobbett et al.	D10/31
D645,360	S	*	9/2011	Kiser et al.	D10/32
8,088,043	B2	*	1/2012	Andren et al.	482/8
D660,726	S	*	5/2012	Register et al.	D10/38
8,562,489	B2	*	10/2013	Burton et al.	482/9
D693,251	S	*	11/2013	Anderssen et al.	D10/70
8,585,282	B2	*	11/2013	Shindo	368/281
8,659,979	B2	*	2/2014	Tsuji et al.	368/88
8,698,680	B2	*	4/2014	Gutschenritter et al.	343/718

FOREIGN PATENT DOCUMENTS

EP	2584414	A1	*	4/2013
JP	2004101346	A	*	4/2004

OTHER PUBLICATIONS

Design U.S. Appl. No. 29/357,449, filed Mar. 12, 2010.
(Continued)

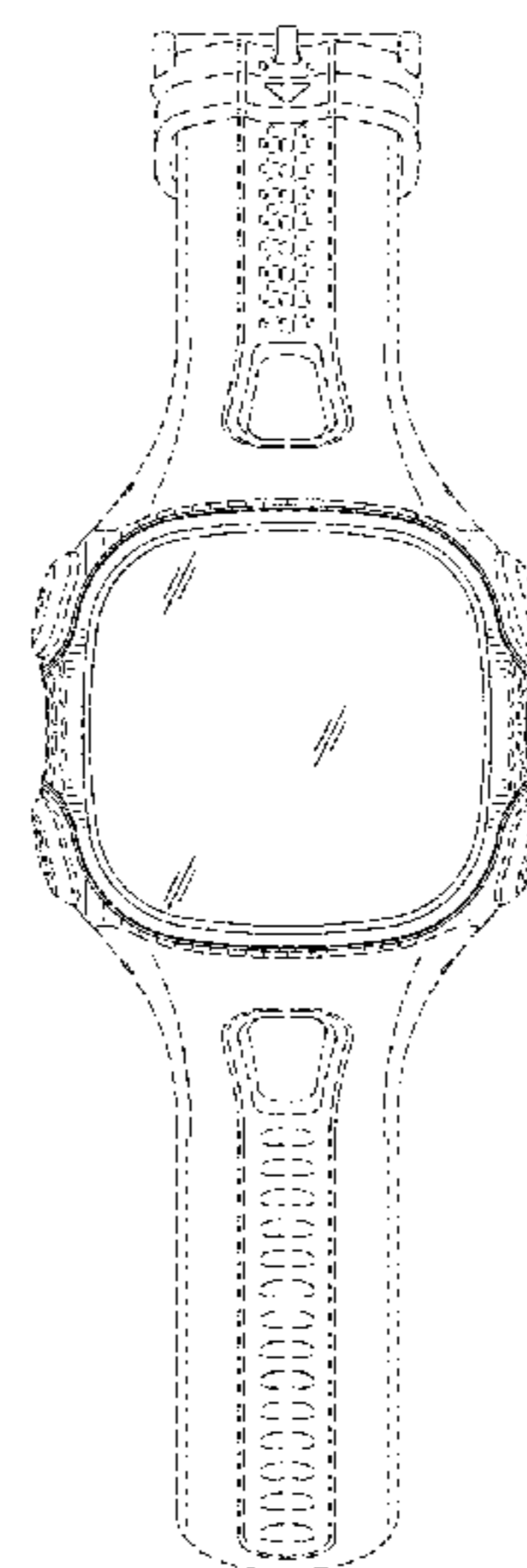
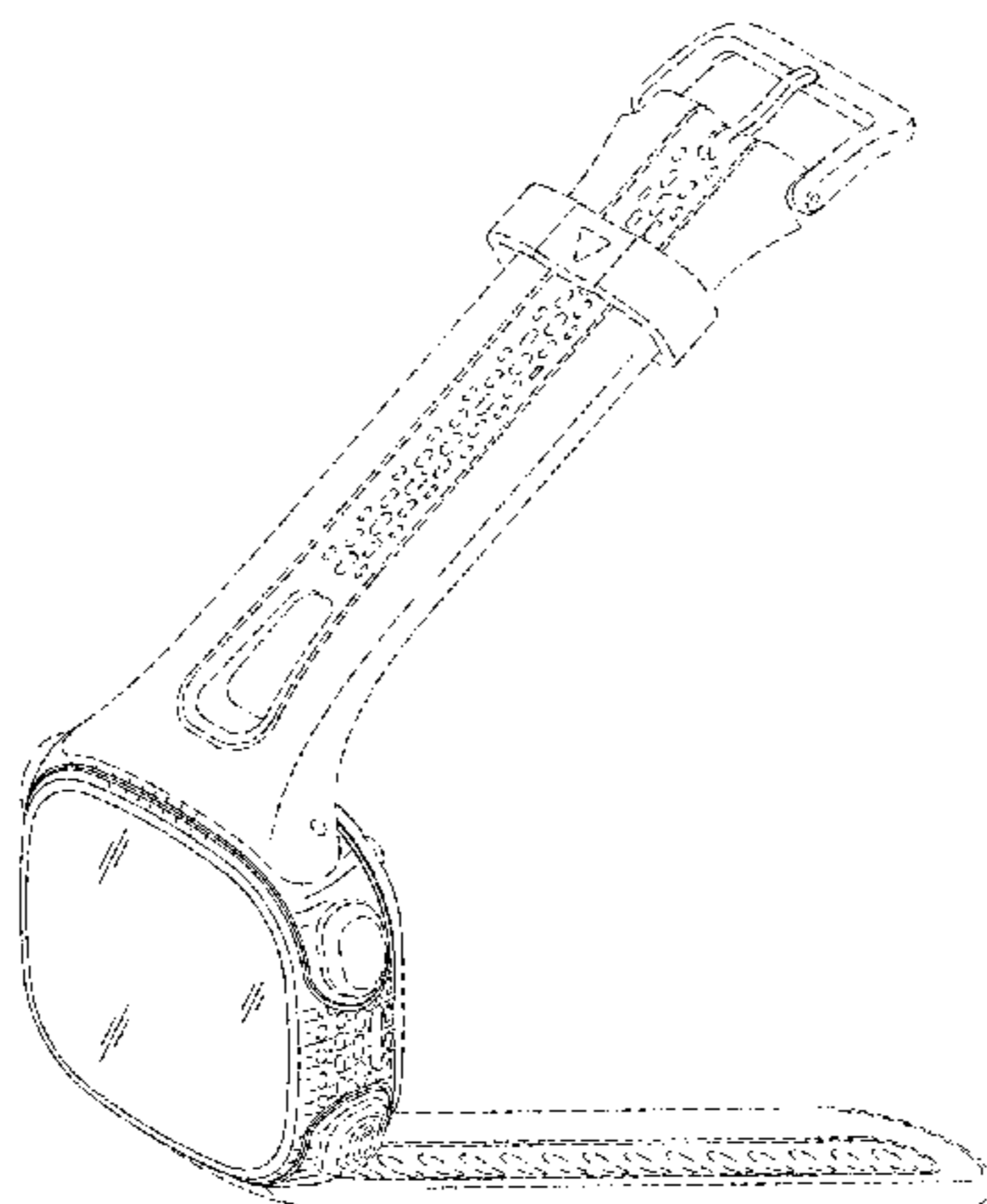
Primary Examiner — Lucy Lieberman
(74) *Attorney, Agent, or Firm* — Samuel M. Korte; Mohammad M. Ali

(57) **CLAIM**
The ornamental design for a watch, as shown and described.

DESCRIPTION

FIG. 1 is a front perspective view of a watch showing our new design;
FIG. 2 is a rear perspective view of the watch;
FIG. 3 is a top view of the watch;
FIG. 4 is a left side view of the watch;
FIG. 5 is a right side view of the watch;
FIG. 6 is a bottom view of the watch;
FIG. 7 is a front view of the watch; and,
FIG. 8 is a rear view of the watch.
Portions of FIGS. 1 through 8 are shown in dashed lines for illustrative purposes only and form no part of the claimed design.

1 Claim, 4 Drawing Sheets



(56)

References Cited

OTHER PUBLICATIONS

Design U.S. Appl. No. 29/410,377, filed Apr. 17, 2012.

Printout from Garmin Forerunner 50 (<https://buy.garmin.com/shop/alt-image.do?pID=10527&img=productImageLarge>), published prior to Apr. 3, 2012.

Printout from Garmin Forerunner 60 (<https://buy.garmin.com/shop/alt-image.do?pID=27483&img=productImageLarge>), published prior to Apr. 3, 2012.

Printout from Nike Presto Cee (<http://www.watchesretailer.com/ViewProducts.asp?idproduct=453056333>), published prior to Apr. 3, 2012.

Printout from Mile Watch (<http://www.watcheseveryday.com/wholesale/watches+P01+pshow+A7159-11.html>), published prior to Apr. 3, 2012.

Printout from Suunto M5 (<http://www.suunto.com/us/en/products/Heart-Rate-Monitors/suunto-m5/suunto-m5-blacksilver>), published prior to Apr. 3, 2012.

Printout from Polar RS800CX (http://www.polarusa.com/us-en/products/maximize_performance/running_multisport/RS800CX), published prior to Apr. 3, 2012.

* cited by examiner

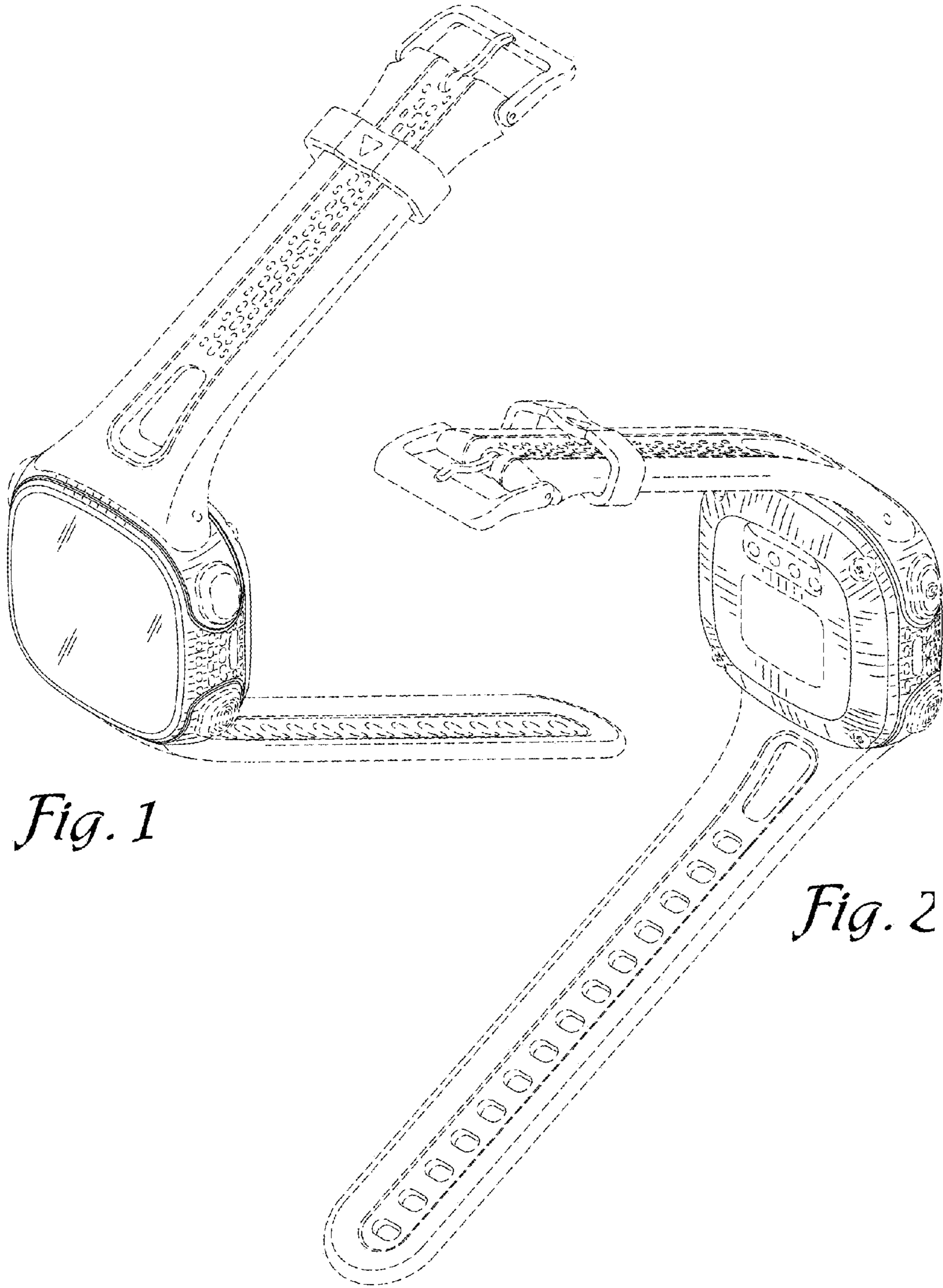


Fig. 1

Fig. 2

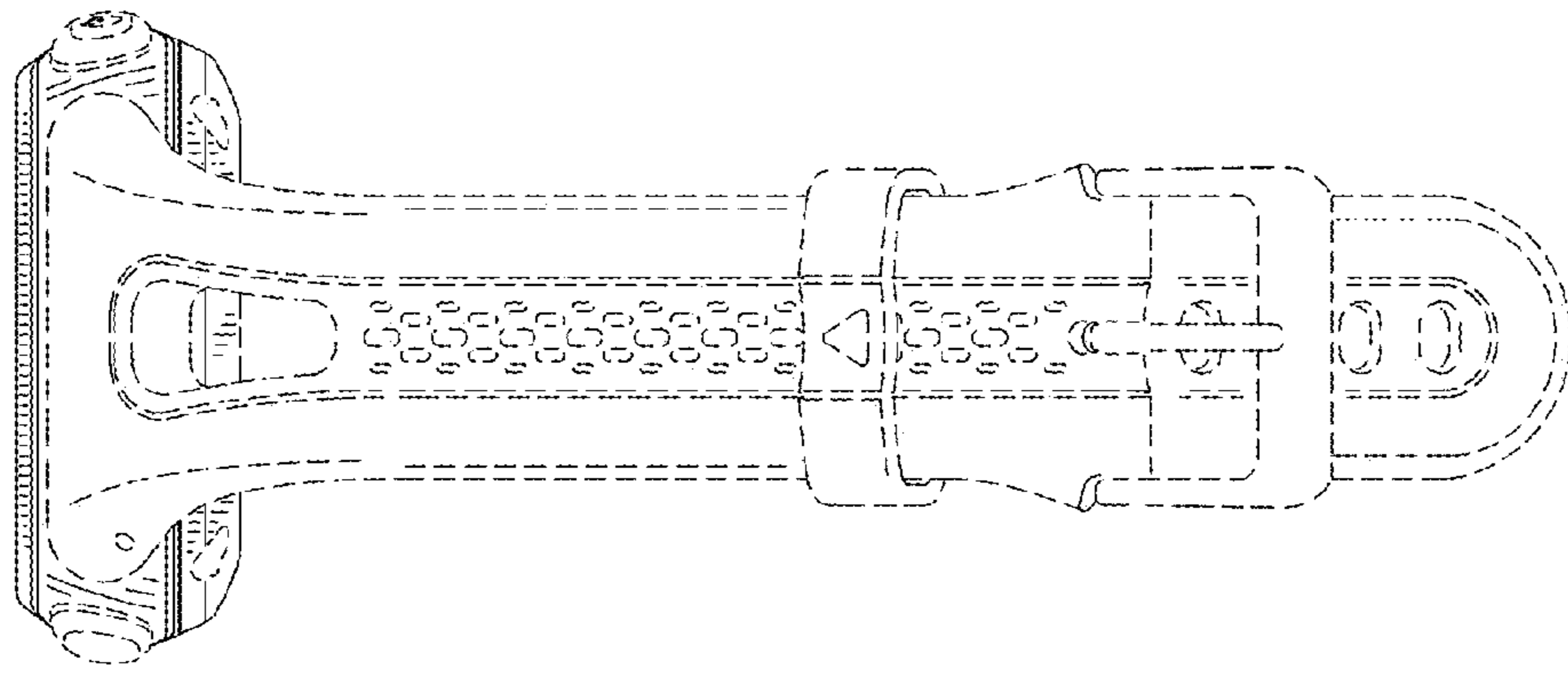


Fig. 3

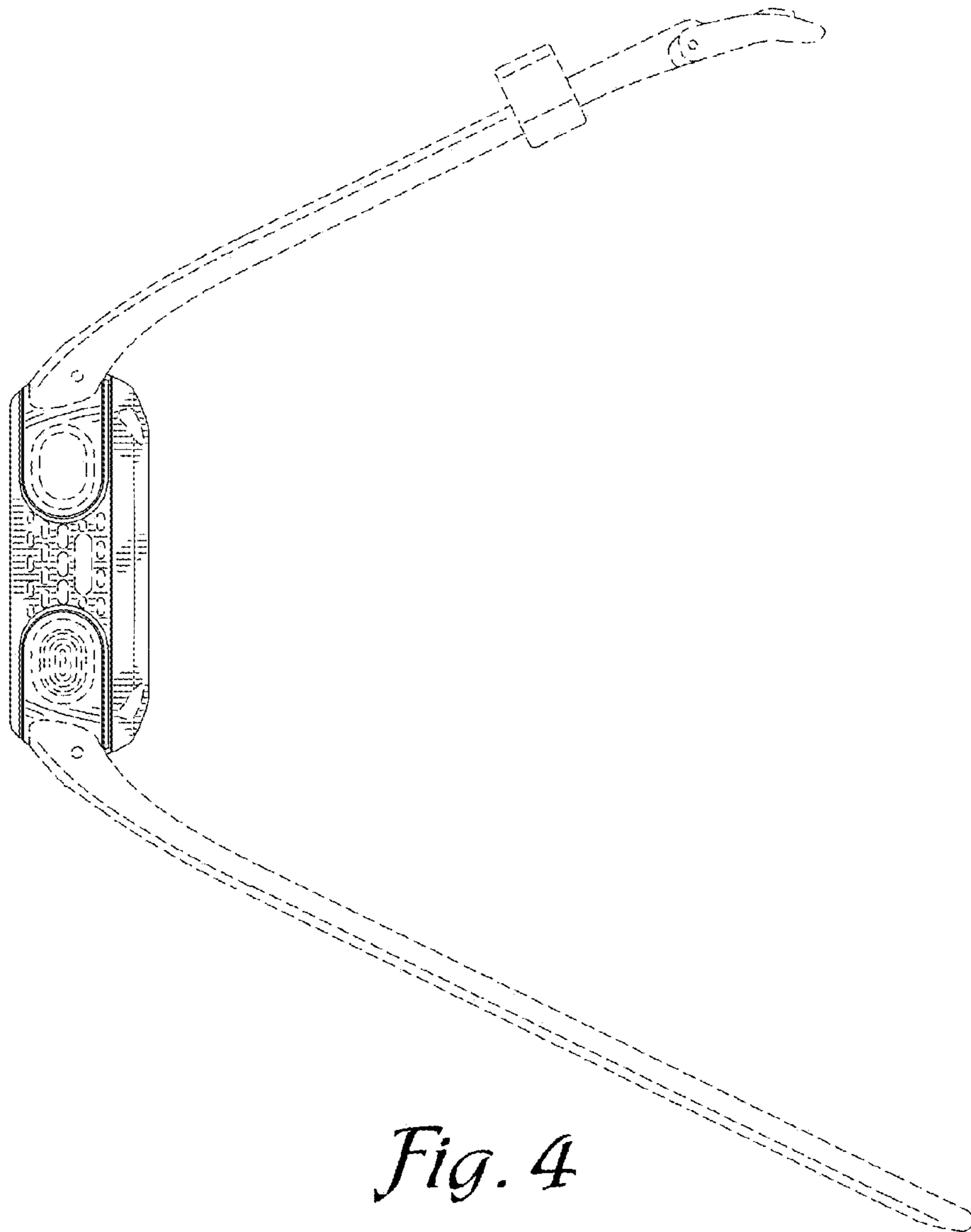
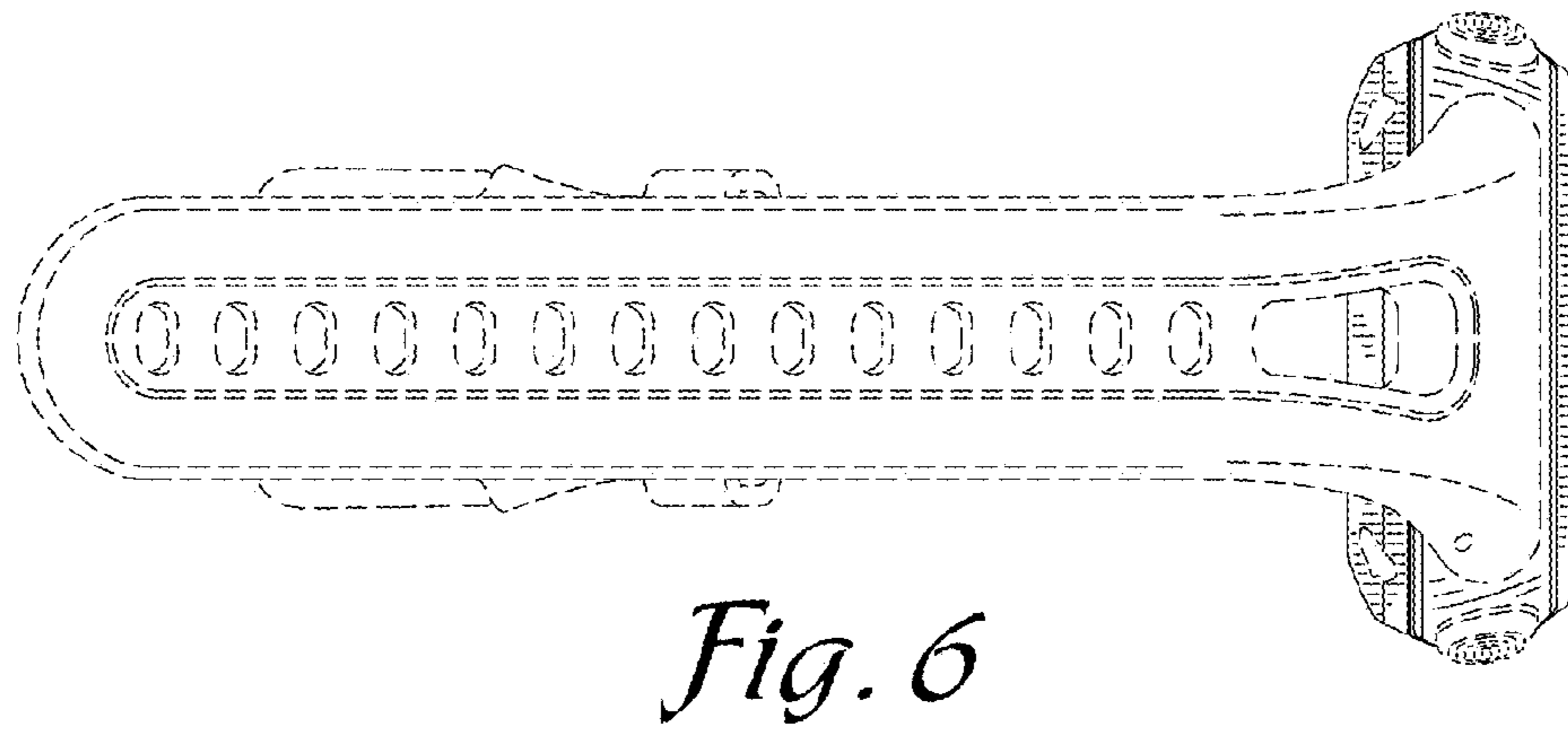
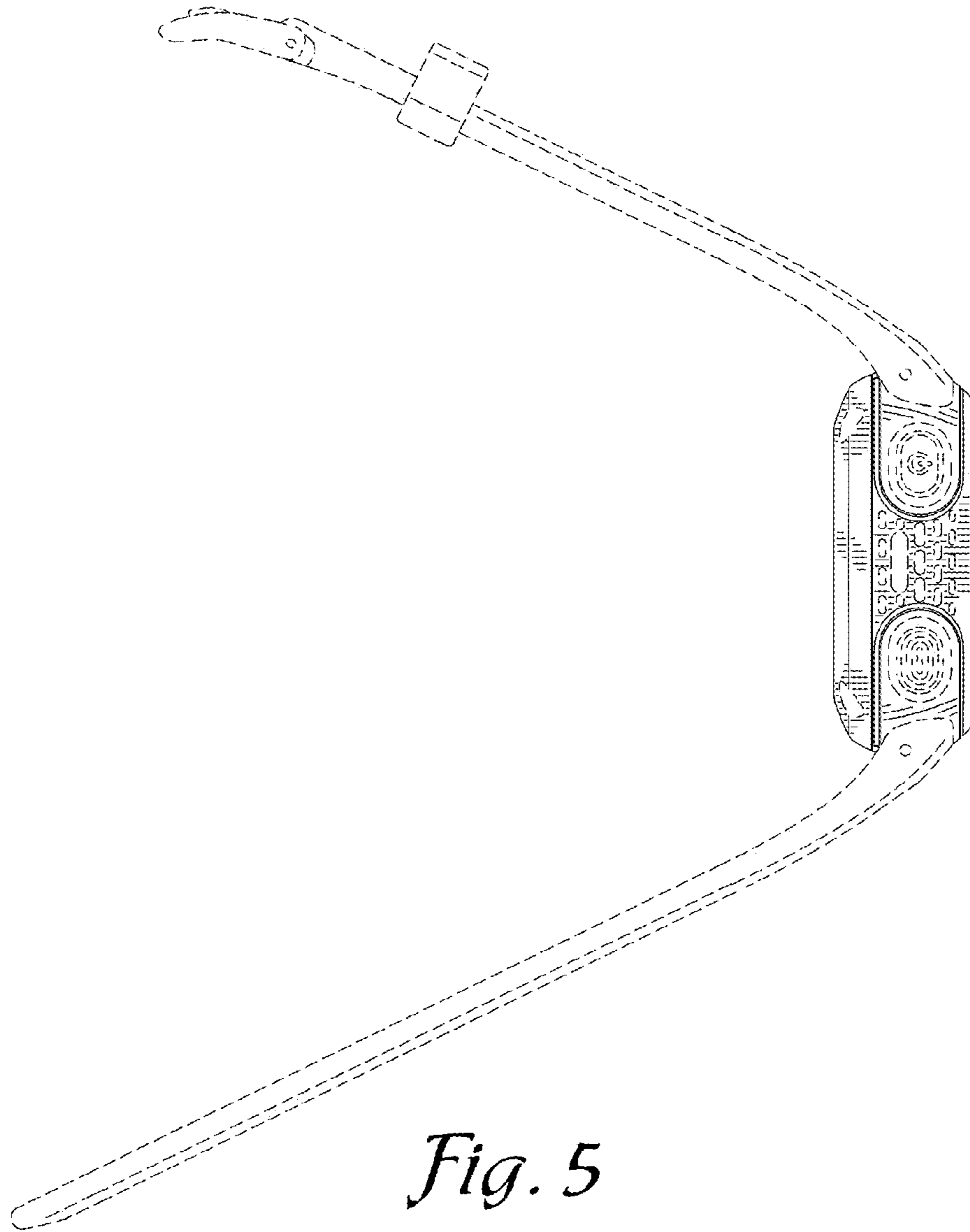


Fig. 4



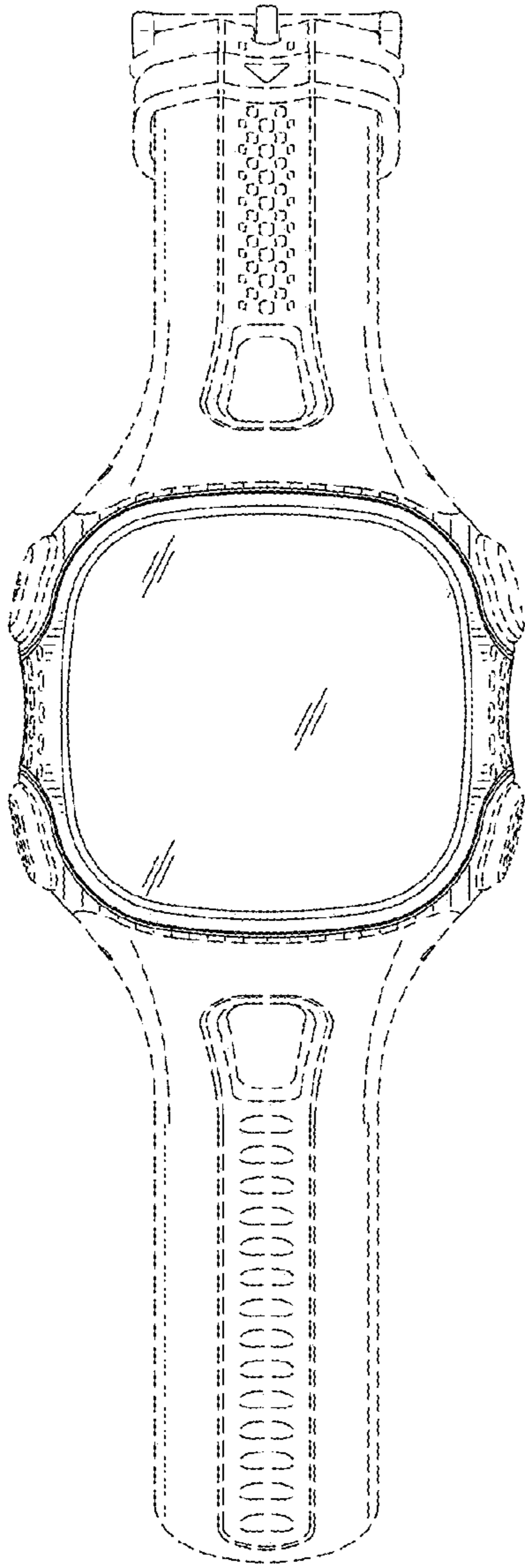


Fig. 7

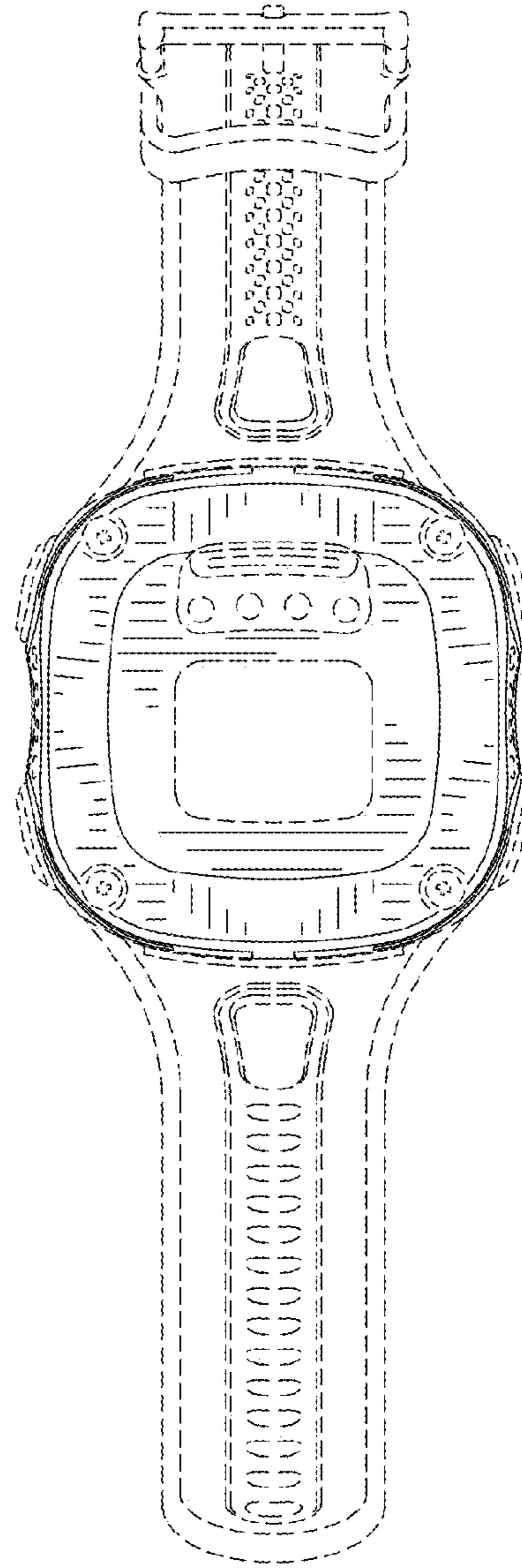


Fig. 8