



US00D725493S

(12) **United States Design Patent**
Rimanelli

(10) **Patent No.:** **US D725,493 S**
(45) **Date of Patent:** **** Mar. 31, 2015**

- (54) **WATCH CASING**
- (71) Applicant: **Eduardo E. Rimanelli**, Huntington Beach, CA (US)
- (72) Inventor: **Eduardo E. Rimanelli**, Huntington Beach, CA (US)
- (73) Assignee: **Brazen Sports, LLC**, Huntington Beach, CA (US)
- (**) Term: **14 Years**
- (21) Appl. No.: **29/436,454**
- (22) Filed: **Nov. 6, 2012**
- (51) **LOC (10) Cl.** **10-02**
- (52) **U.S. Cl.**
USPC **D10/30; D10/38**
- (58) **Field of Classification Search**
CPC G04B 19/00; G04B 19/24; G04B 37/00;
G04B 37/0008; G04B 37/06
USPC D10/30-39, 122-132, 1-29; 368/10,
368/28, 62, 127, 276, 277, 281, 309;
361/679.01
See application file for complete search history.

D416,814 S *	11/1999	Welsh	D10/31
D433,949 S *	11/2000	Helleu	D10/30
D447,063 S *	8/2001	Scheufele	D10/30
6,402,368 B1 *	6/2002	Grimm et al.	368/127
D470,778 S *	2/2003	Berke	D10/32
D571,230 S *	6/2008	Krieger	D10/39
D573,041 S *	7/2008	Lulic	D10/39
D625,203 S *	10/2010	Giannini	D10/32
D635,472 S *	4/2011	Dalla Libera et al.	D10/32
D640,143 S *	6/2011	Virgili	D10/32
2008/0084657 A1 *	4/2008	Baba et al.	361/681

* cited by examiner

Primary Examiner — Martie K Holtje
(74) *Attorney, Agent, or Firm* — Clark Hill PLC

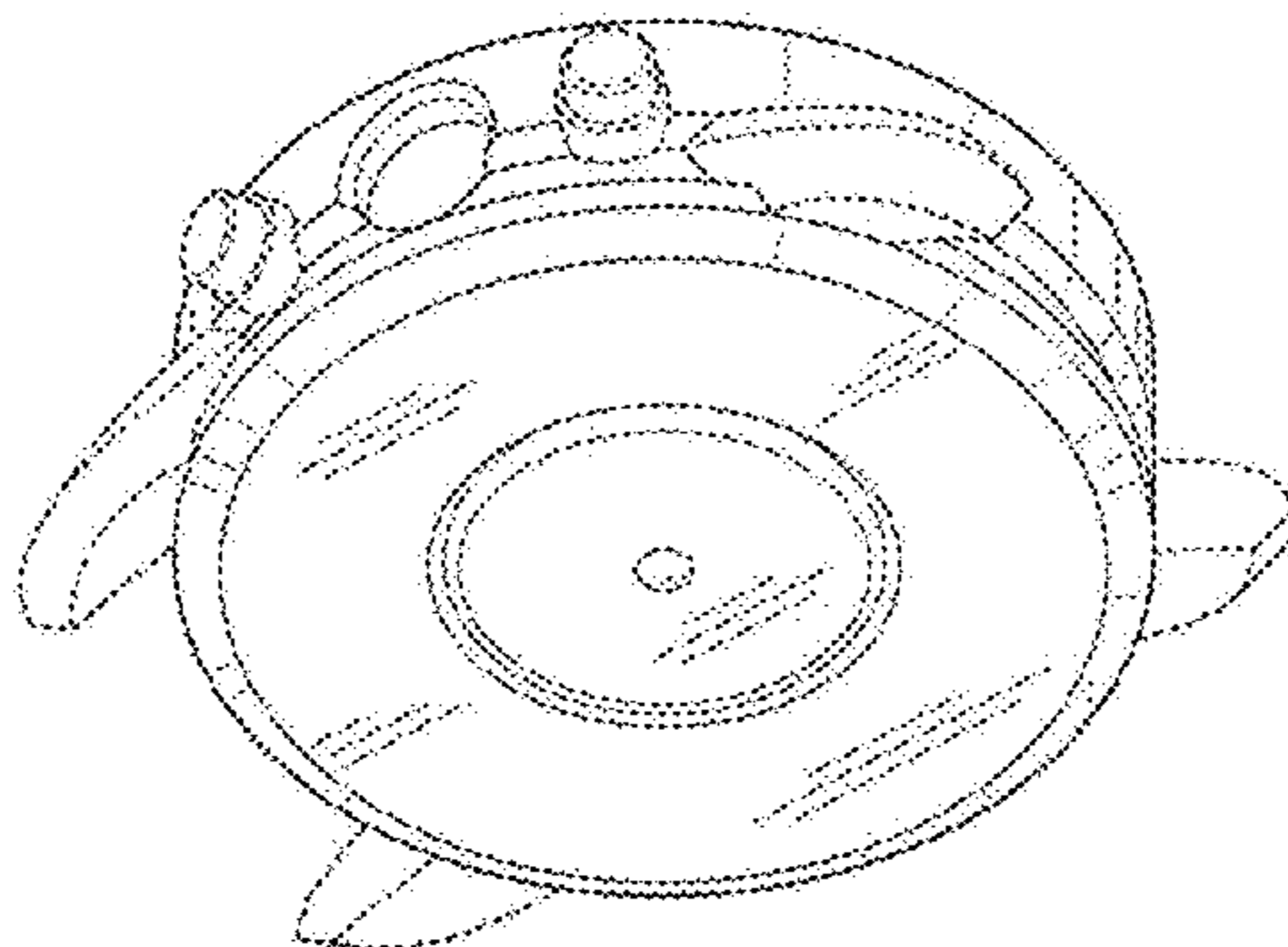
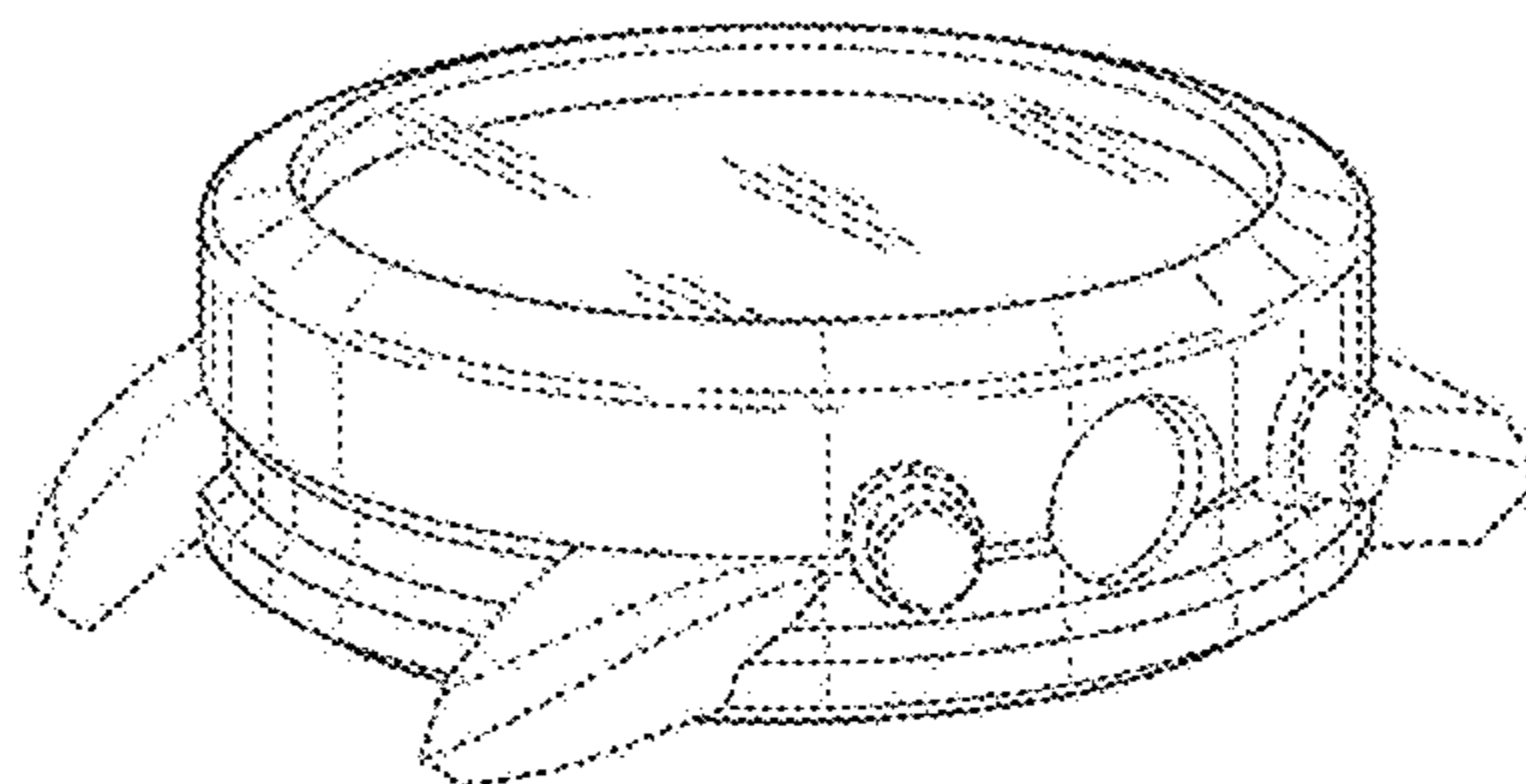
(57) **CLAIM**
I claim the ornamental design for a watch casing, as shown and described.

DESCRIPTION

FIG. 1 is a top right perspective view of a watch casing showing my new design;
FIG. 2 is a right side view thereof;
FIG. 3 is a left side view thereof, the front and rear views being identical thereto;
FIG. 4 is a top plan view thereof;
FIG. 5 is a bottom plan view thereof;
FIG. 6 is a top right perspective view of my design of FIG. 1 shown in an alternative environment; and,
FIG. 7 is a bottom right perspective view of FIG. 6.
The structural features depicted by broken lines in FIGS. 6 and 7 have been shown for the purpose of illustrating environment that forms no part of the claimed design.

1 Claim, 4 Drawing Sheets

- (56) **References Cited**
U.S. PATENT DOCUMENTS
D188,062 S * 5/1960 Pretat D10/38
D251,897 S * 5/1979 Davidson D10/39
D260,494 S * 9/1981 Dinh Van D10/39
5,392,261 A * 2/1995 Hsu 368/281
D373,957 S * 9/1996 Mareschal D10/30



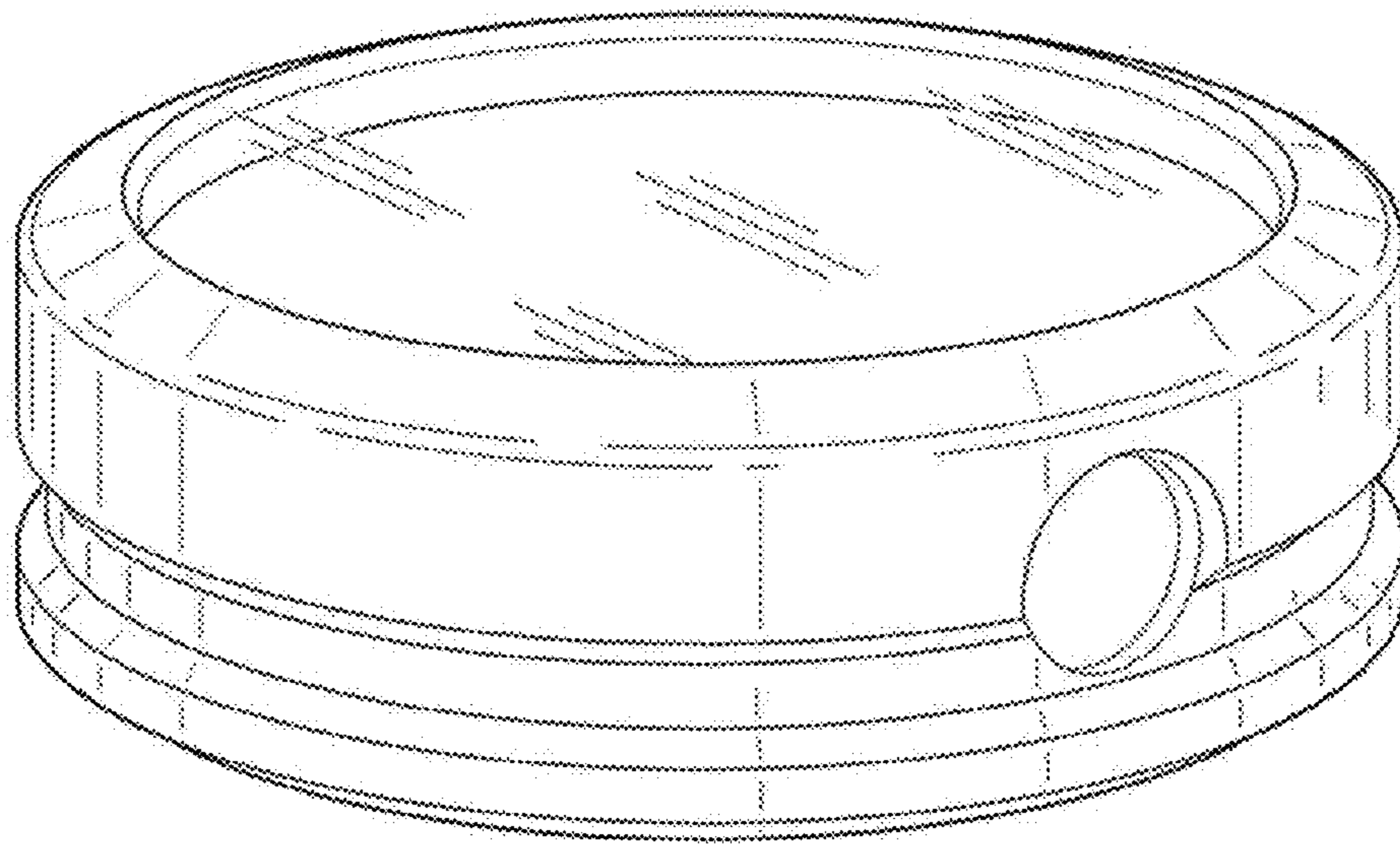


FIG. 1

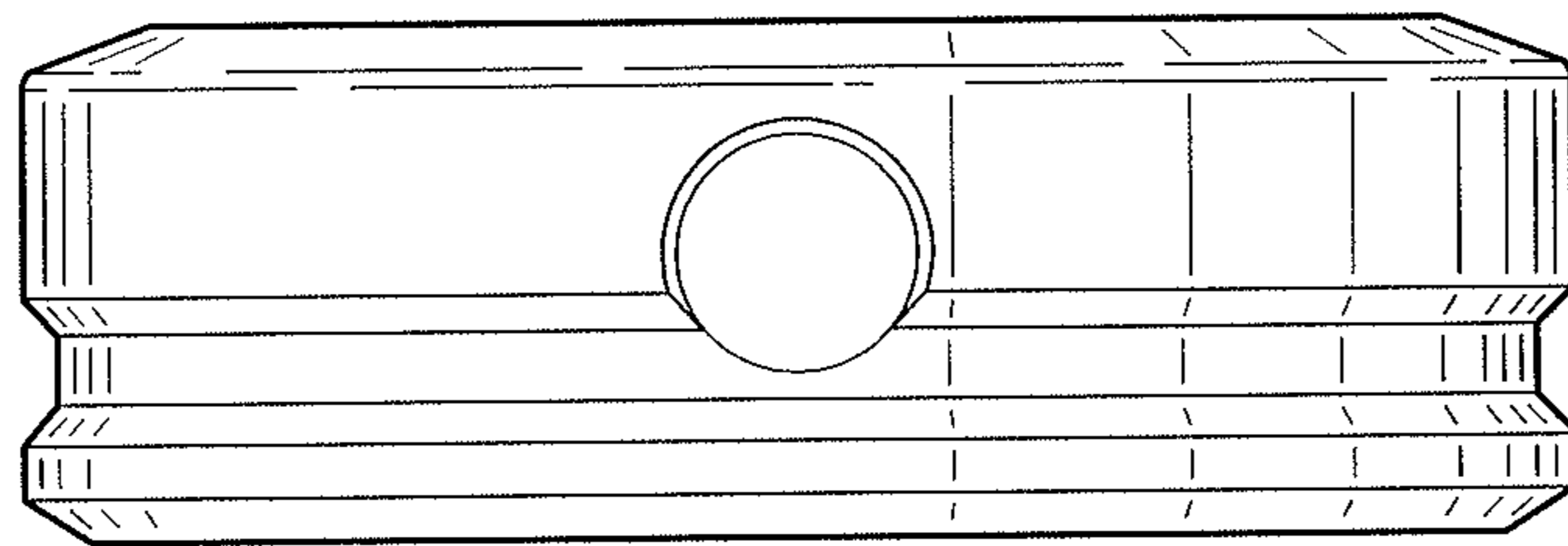


FIG. 2

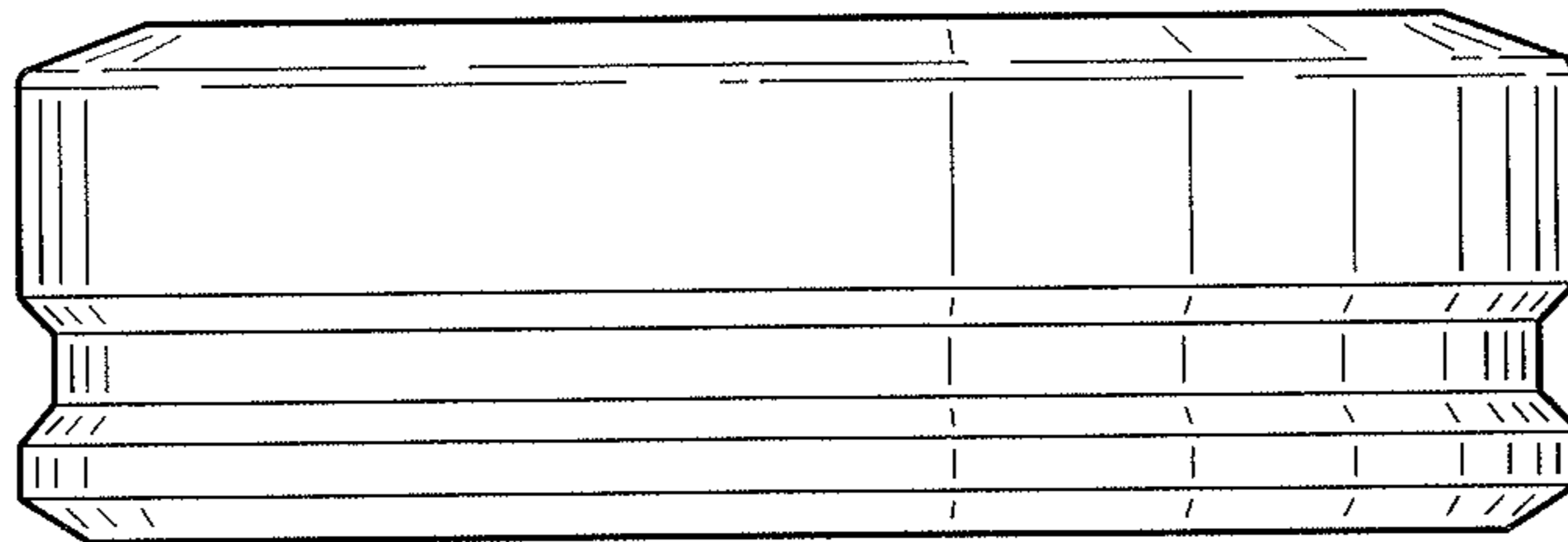


FIG. 3

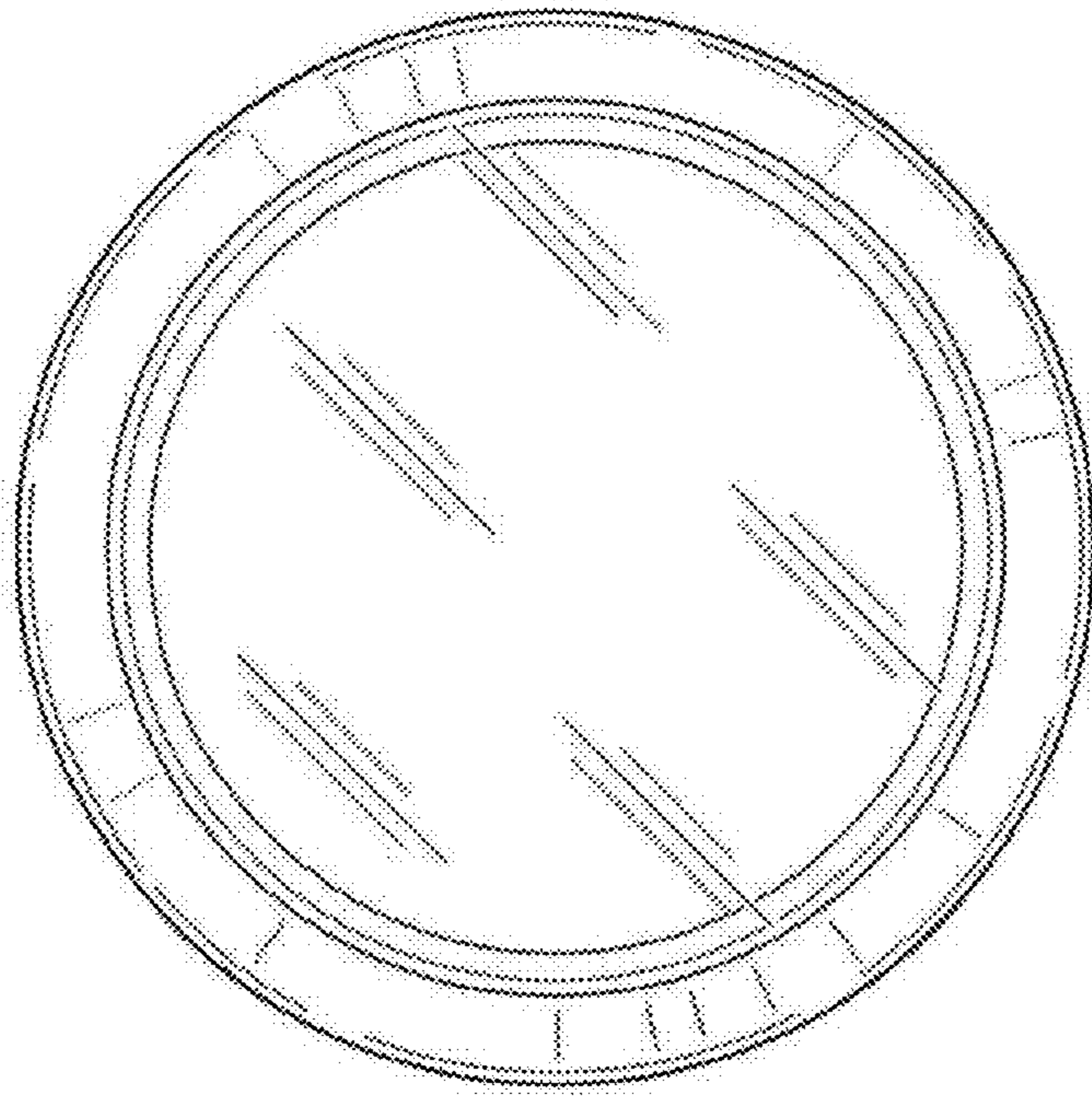


FIG. 4

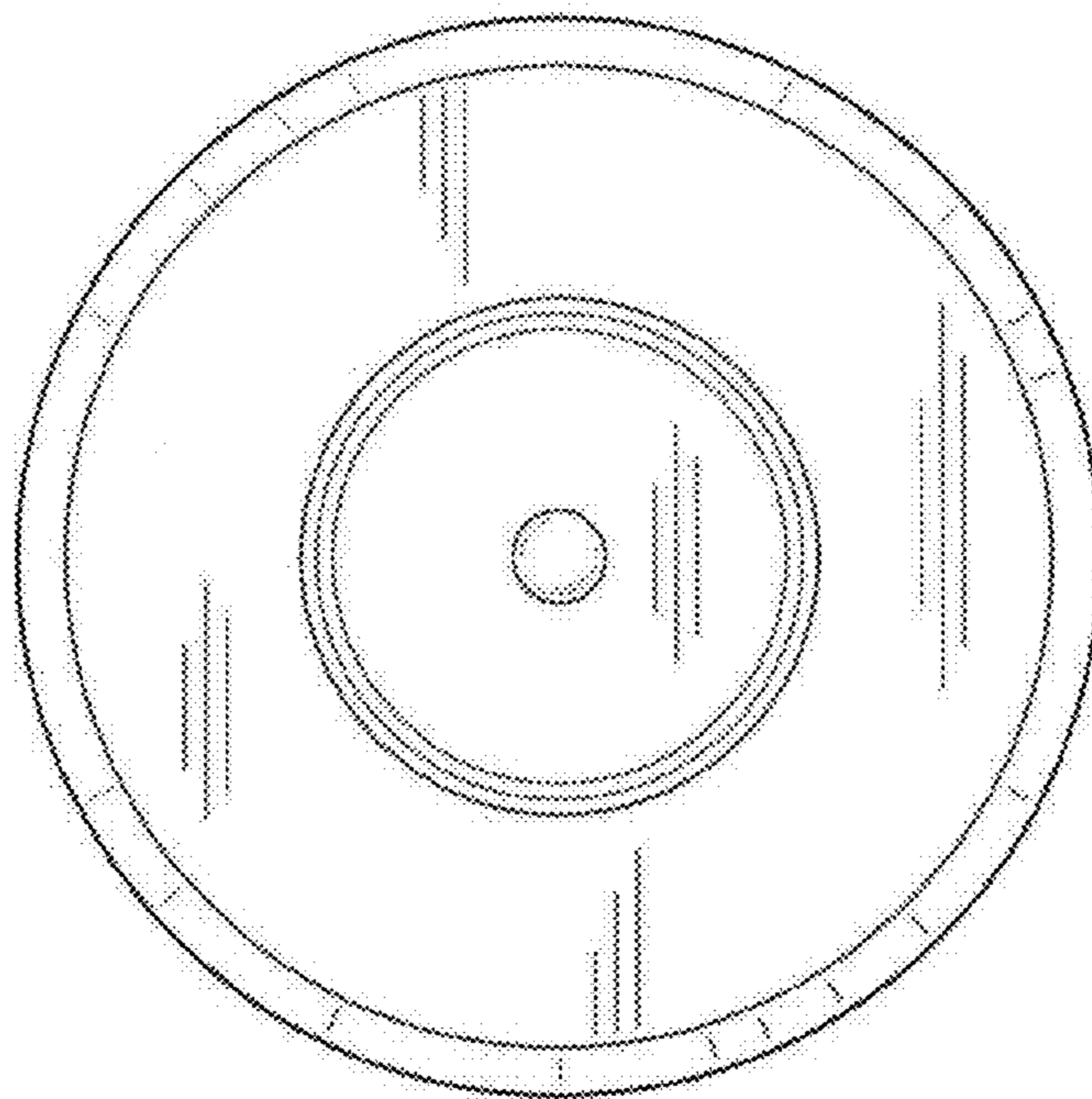


FIG. 5

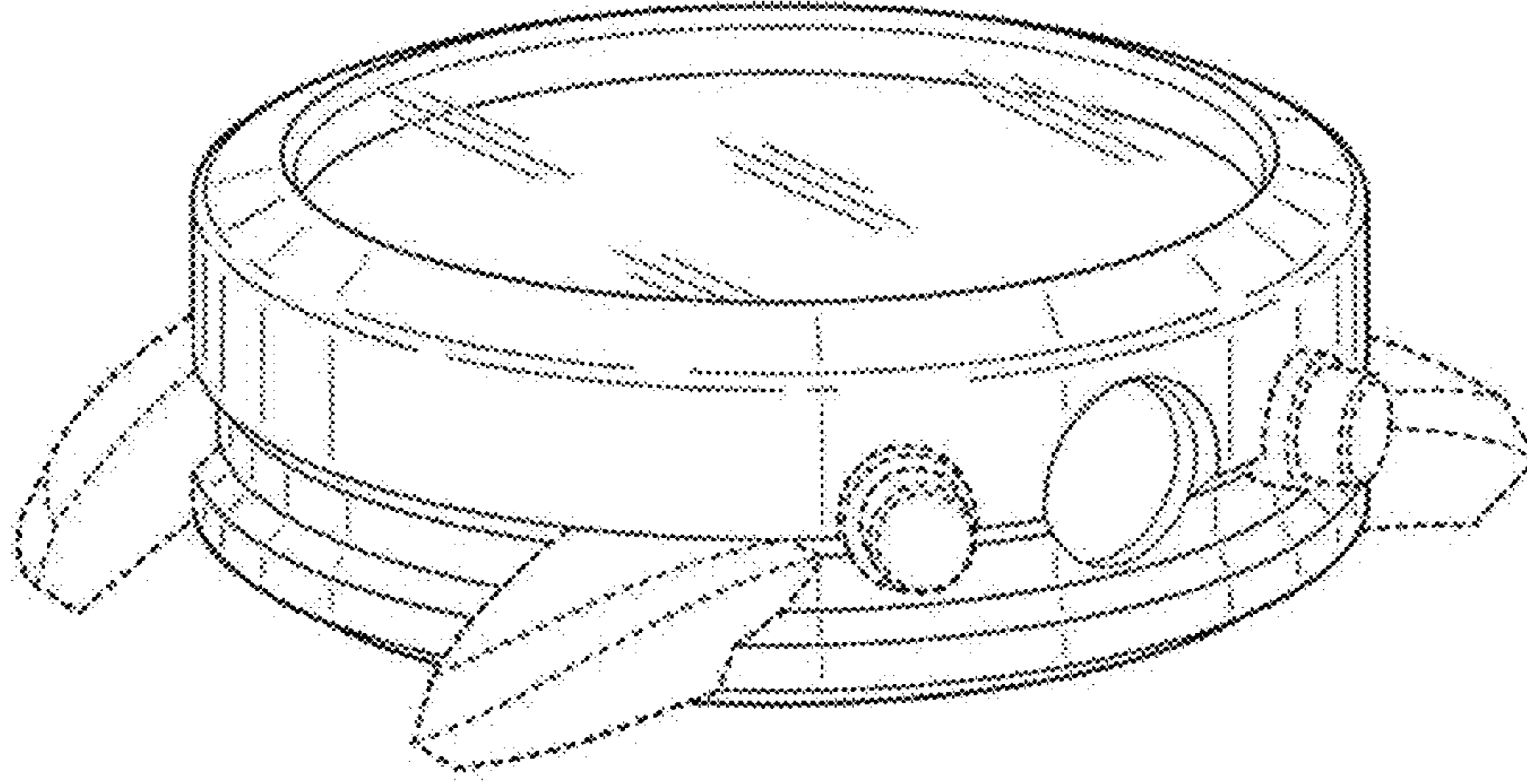


FIG. 6

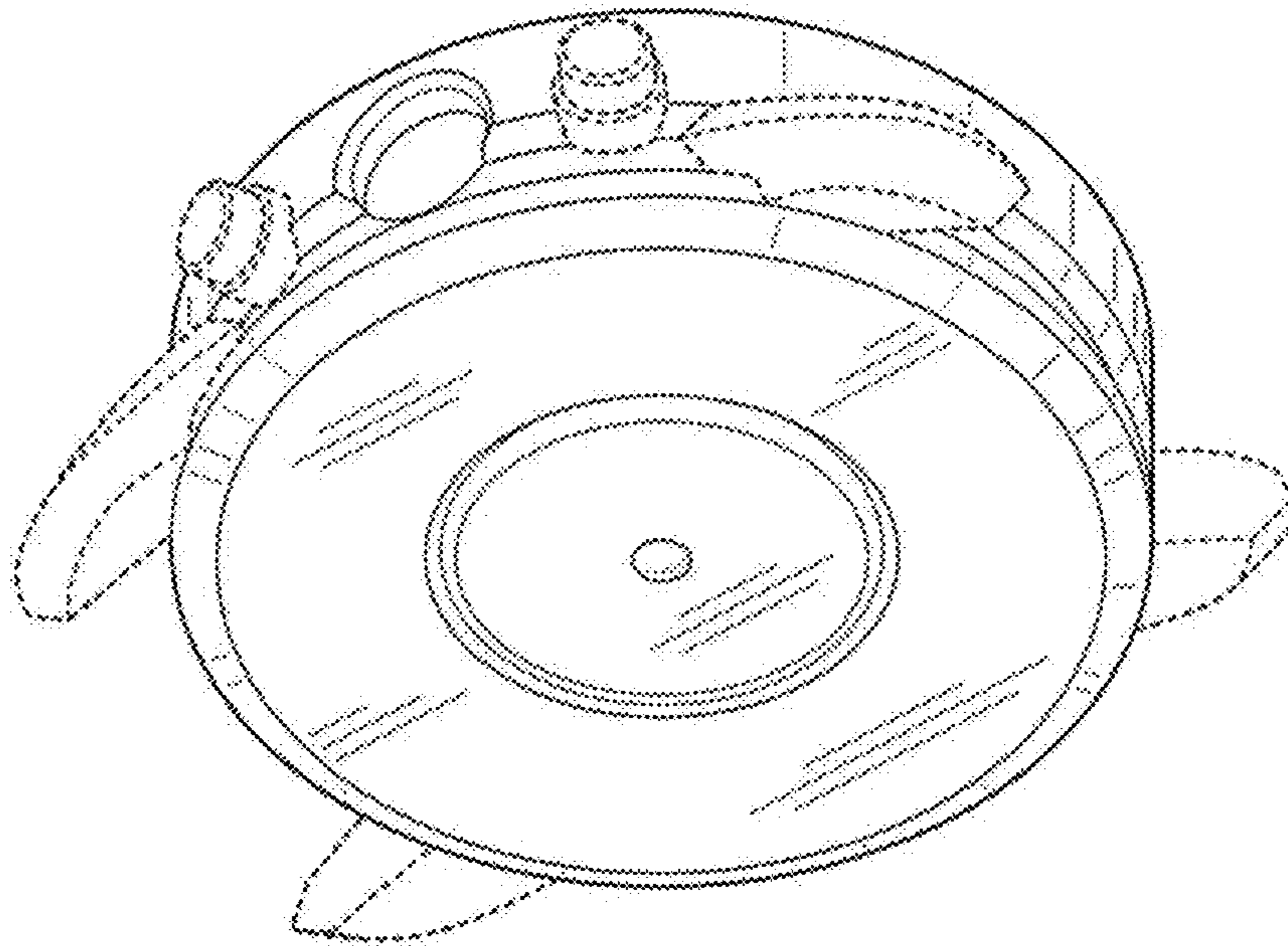


FIG. 7