



US00D725491S

(12) **United States Design Patent**
Gallien

(10) **Patent No.:** **US D725,491 S**

(45) **Date of Patent:** **** Mar. 31, 2015**

(54) **WET AND DRY WIPES CASE**

(71) Applicant: **Sherril Gallien**, Lake Charles, LA (US)

(72) Inventor: **Sherril Gallien**, Lake Charles, LA (US)

(**) Term: **14 Years**

(21) Appl. No.: **29/498,104**

(22) Filed: **Jul. 31, 2014**

(51) **LOC (10) Cl.** **09-01**

(52) **U.S. Cl.**
USPC **D9/734**

(58) **Field of Classification Search**

CPC B65D 83/0894; B65D 83/08; B65D 83/0817; B65D 83/0811; B65D 83/0835; B65D 83/00; B65D 83/0852; B65D 83/0816; B65D 85/16; B65D 85/671; B65D 85/00; B65D 33/001; B65D 2575/586; B65D 25/04; B65D 43/162; B65D 81/22; B65D 77/24; B65D 77/06; B65D 77/003; B65D 2543/00296; B65D 2543/00194; B65D 75/32; B65D 75/46; B65D 75/327; B65D 5/72; A47K 10/421; A47K 10/424; A47K 10/42; A47K 10/422; A47K 10/44; A47K 10/38; A47K 10/20; A47K 10/24; A47K 10/18; A47K 2010/3266; A47K 2010/3233
USPC D9/414, 415, 418, 420, 421, 423, 424, D9/425, 707, 702, 709, 710, 711, 730, 734, D9/737, 741, 743, 745, 747; D7/540, 542, D7/601; D3/20, 201, 203.5, 203.6, 205, D3/215, 273, 274, 294, 295; D28/73, 76, D28/77, 83; D6/515, 518, 519; 206/38, 225, 206/226, 233, 440, 494, 581; 221/36, 38, 221/42, 45-54, 56, 61, 62; 220/503, 520

See application file for complete search history.

(56) **References Cited**

U.S. PATENT DOCUMENTS

7,232,040	B2 *	6/2007	Decker et al.	221/61
D629,309	S *	12/2010	Stewart	D9/734
D653,449	S *	2/2012	Aigle et al.	D3/295
8,220,625	B2 *	7/2012	Michaels et al.	206/233
D715,051	S *	10/2014	Tung et al.	D3/294
2002/0179478	A1 *	12/2002	Silvers	206/494
2014/0291191	A1 *	10/2014	Johnson et al.	206/494

* cited by examiner

Primary Examiner — Derrick Holland

Assistant Examiner — Lauren Calve

(74) *Attorney, Agent, or Firm* — Dale J. Ream

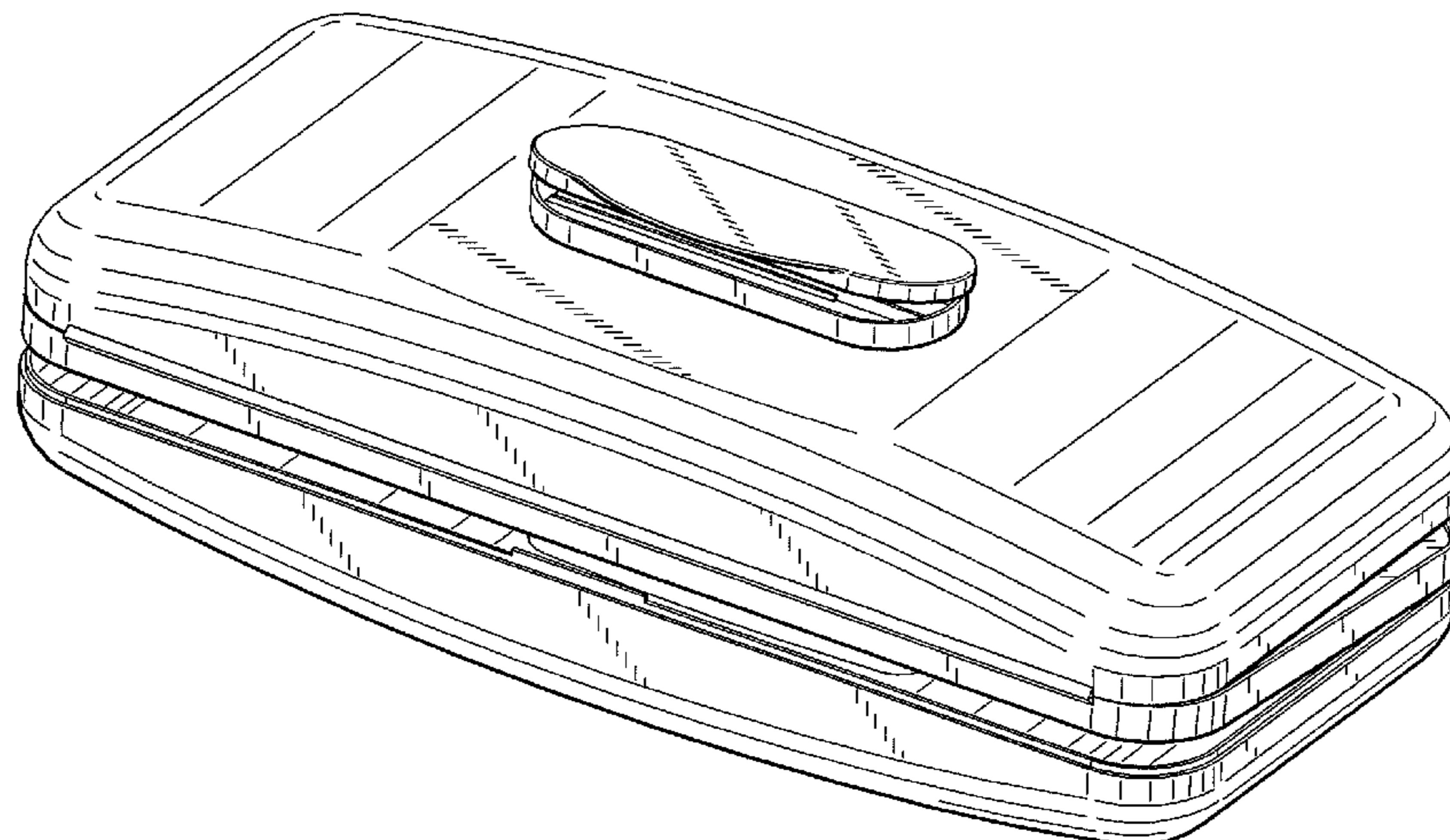
(57) **CLAIM**

The ornamental design for a wet and dry wipes case, as shown and described.

DESCRIPTION

FIG. 1 is a perspective view of a wet and dry wipes case showing my new design;
FIG. 2 is a front view thereof;
FIG. 3 is a back view thereof;
FIG. 4 is a left side view thereof;
FIG. 5 is a right side view thereof;
FIG. 6 is a top view thereof;
FIG. 7 is a bottom view thereof;
FIG. 8 is a second perspective view of FIG. 1, shown in a closed configuration; and,
FIG. 9 is a third perspective view of FIG. 1, shown in a completely open configuration.

1 Claim, 6 Drawing Sheets



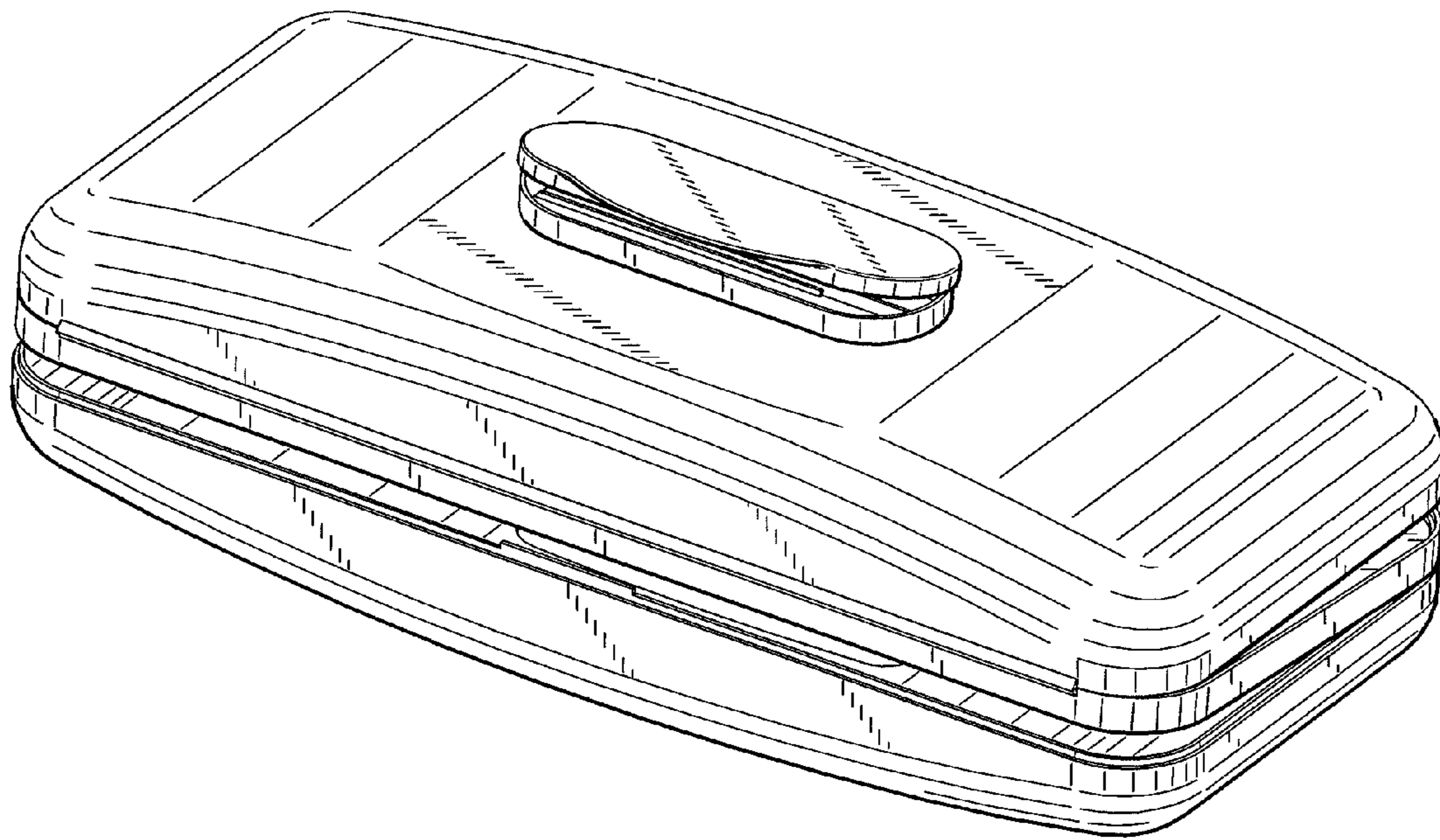


FIG. 1

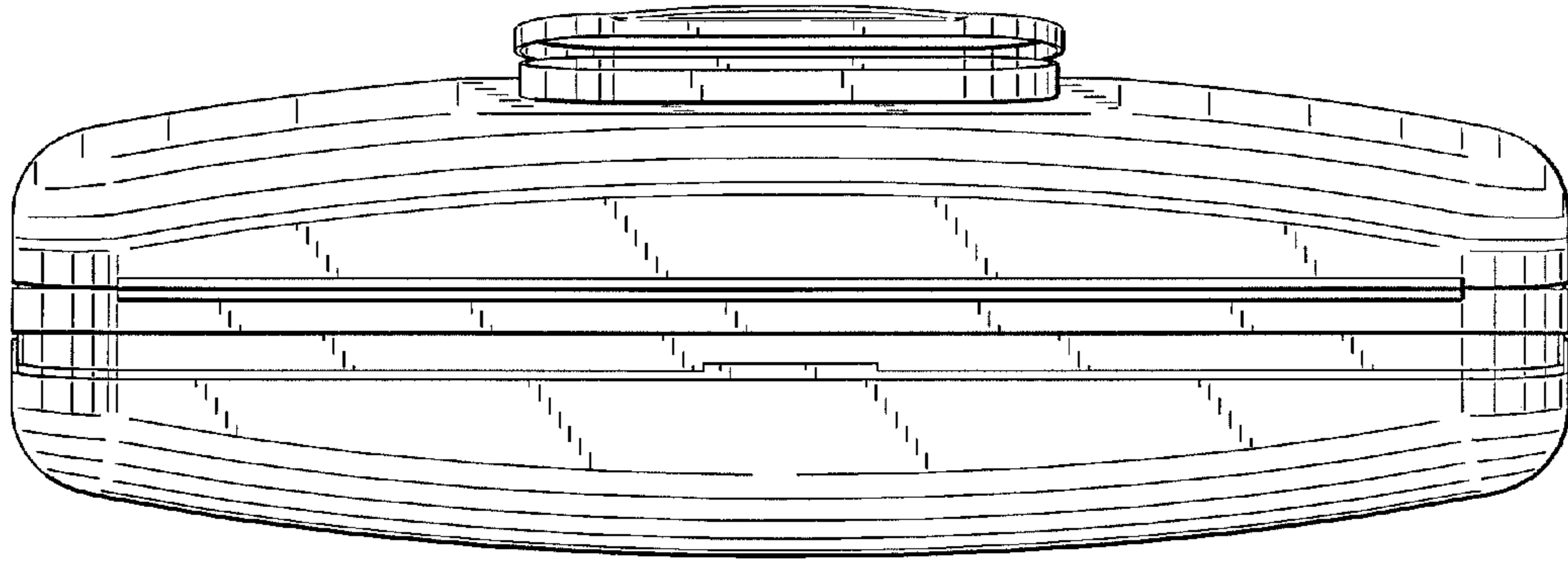


FIG. 2

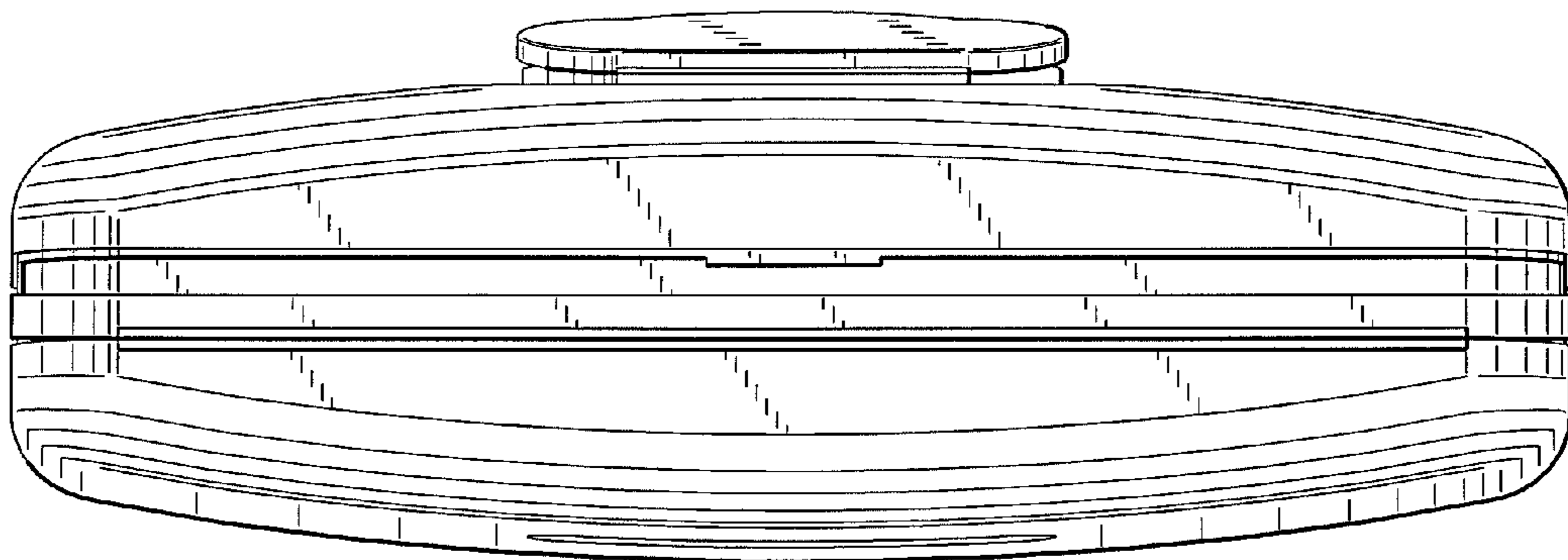


FIG. 3

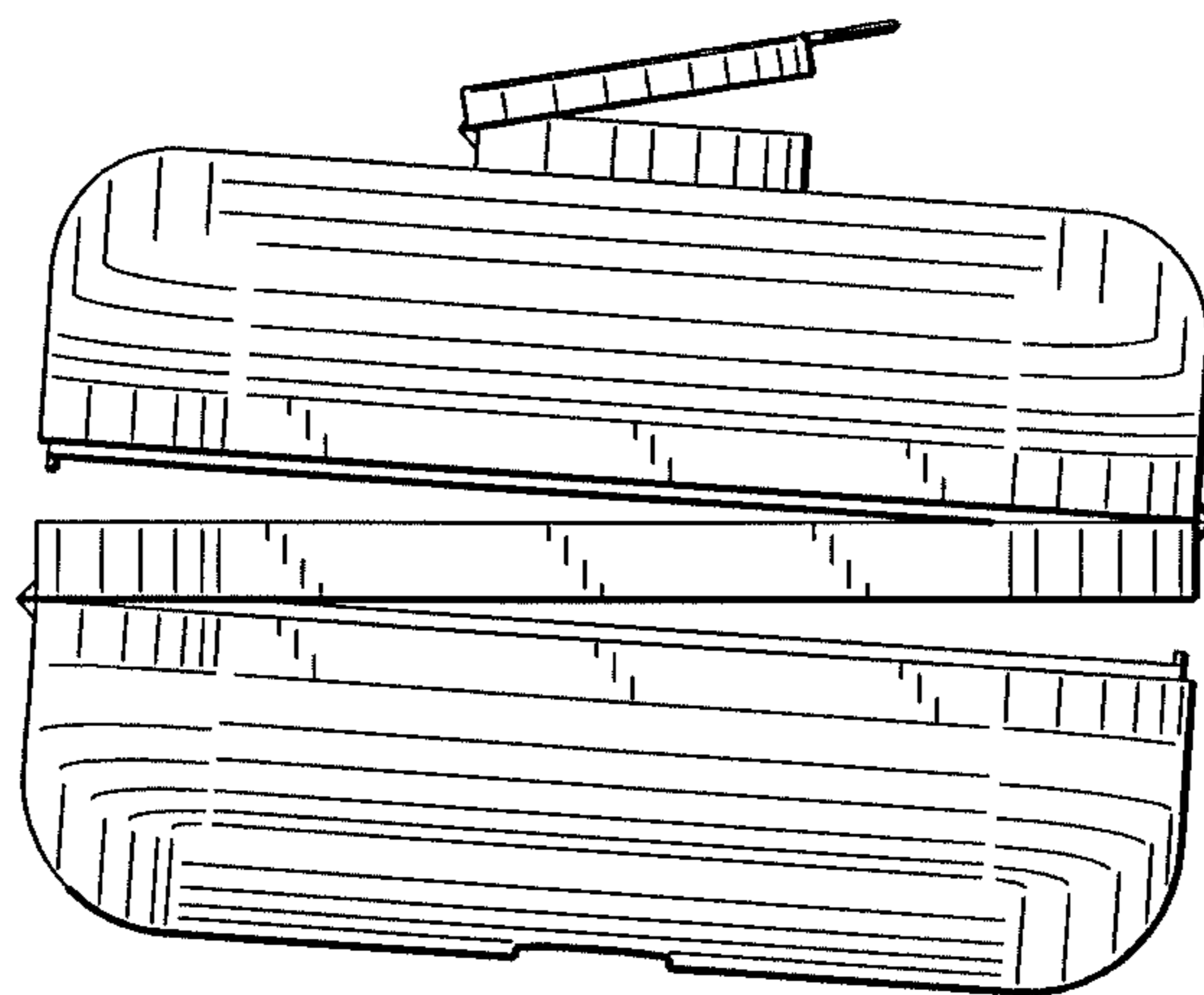


FIG. 4

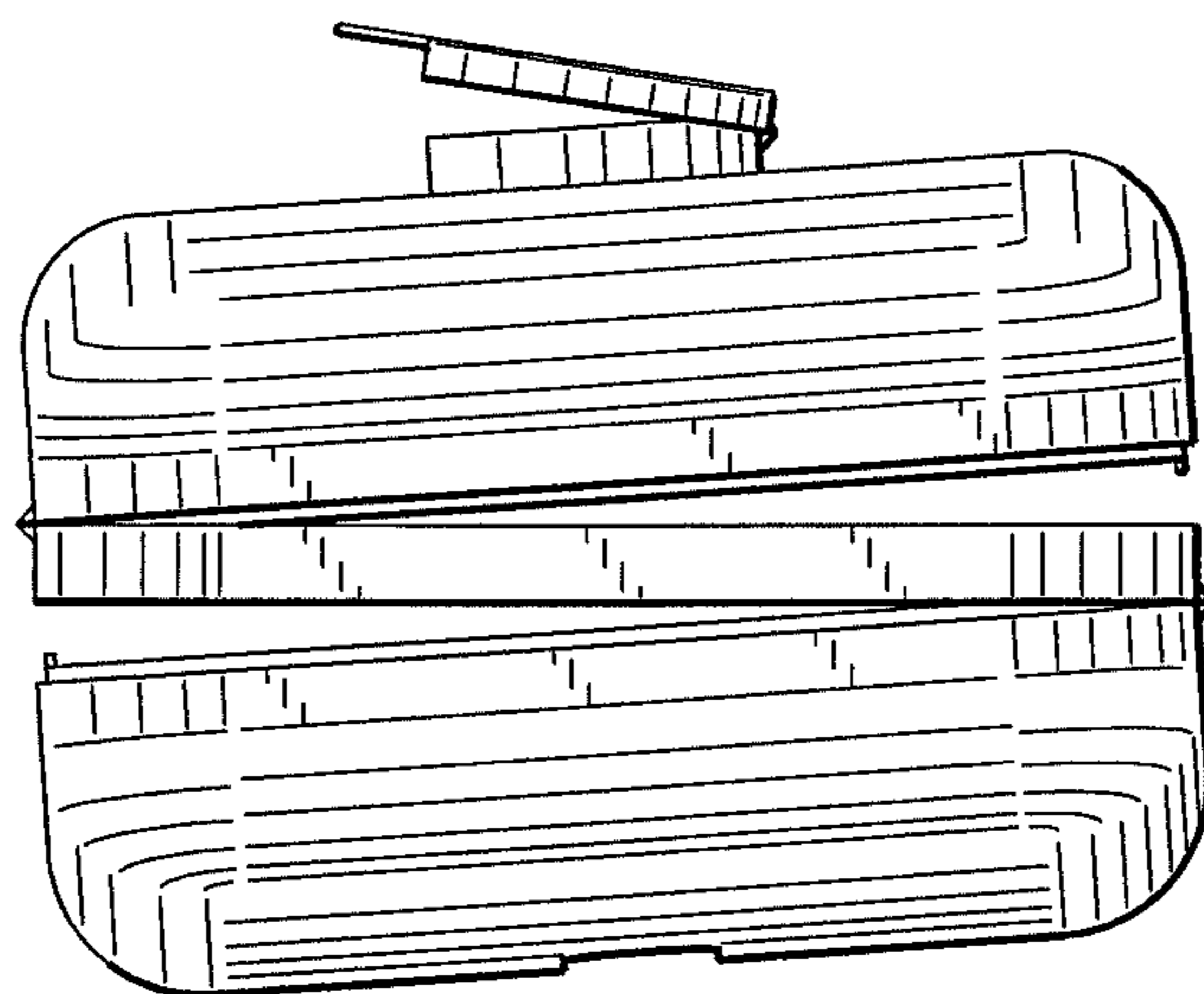


FIG. 5

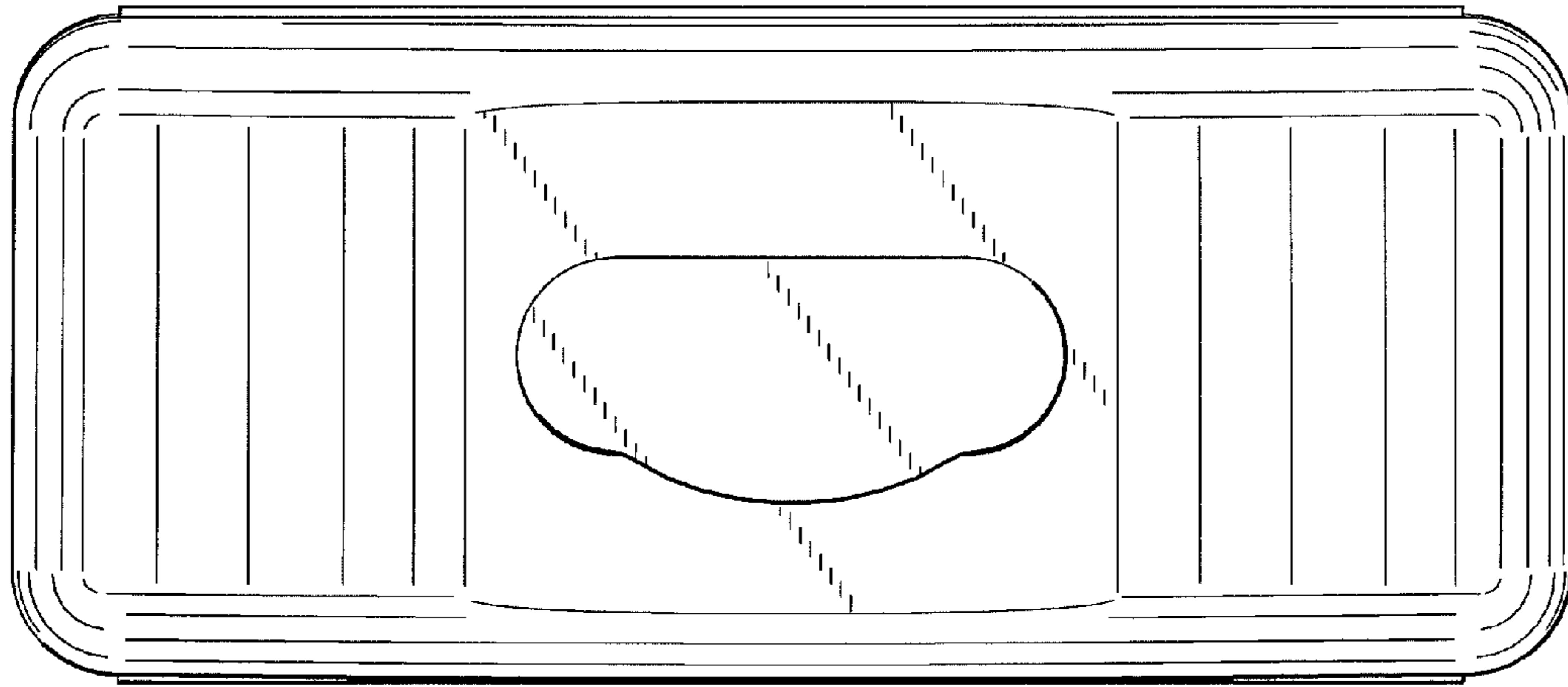


FIG. 6

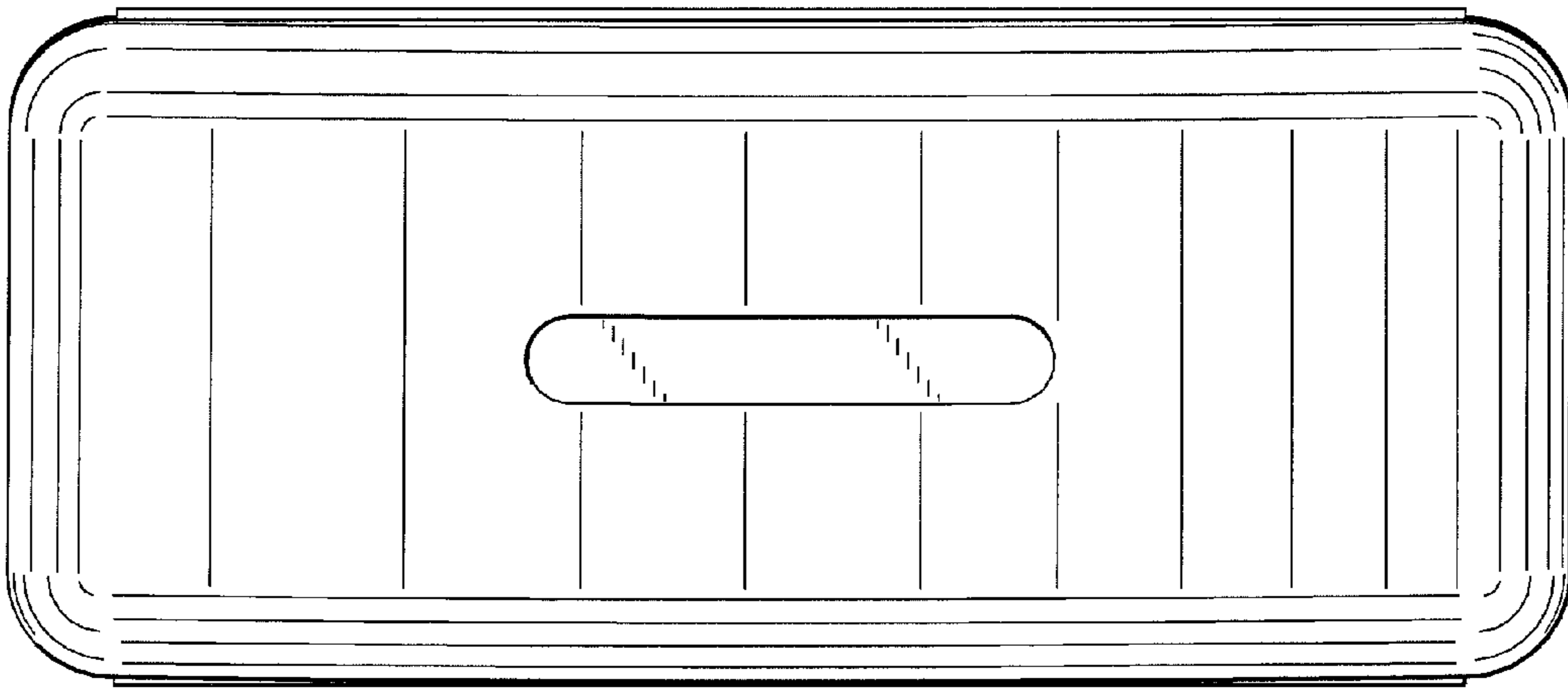


FIG. 7

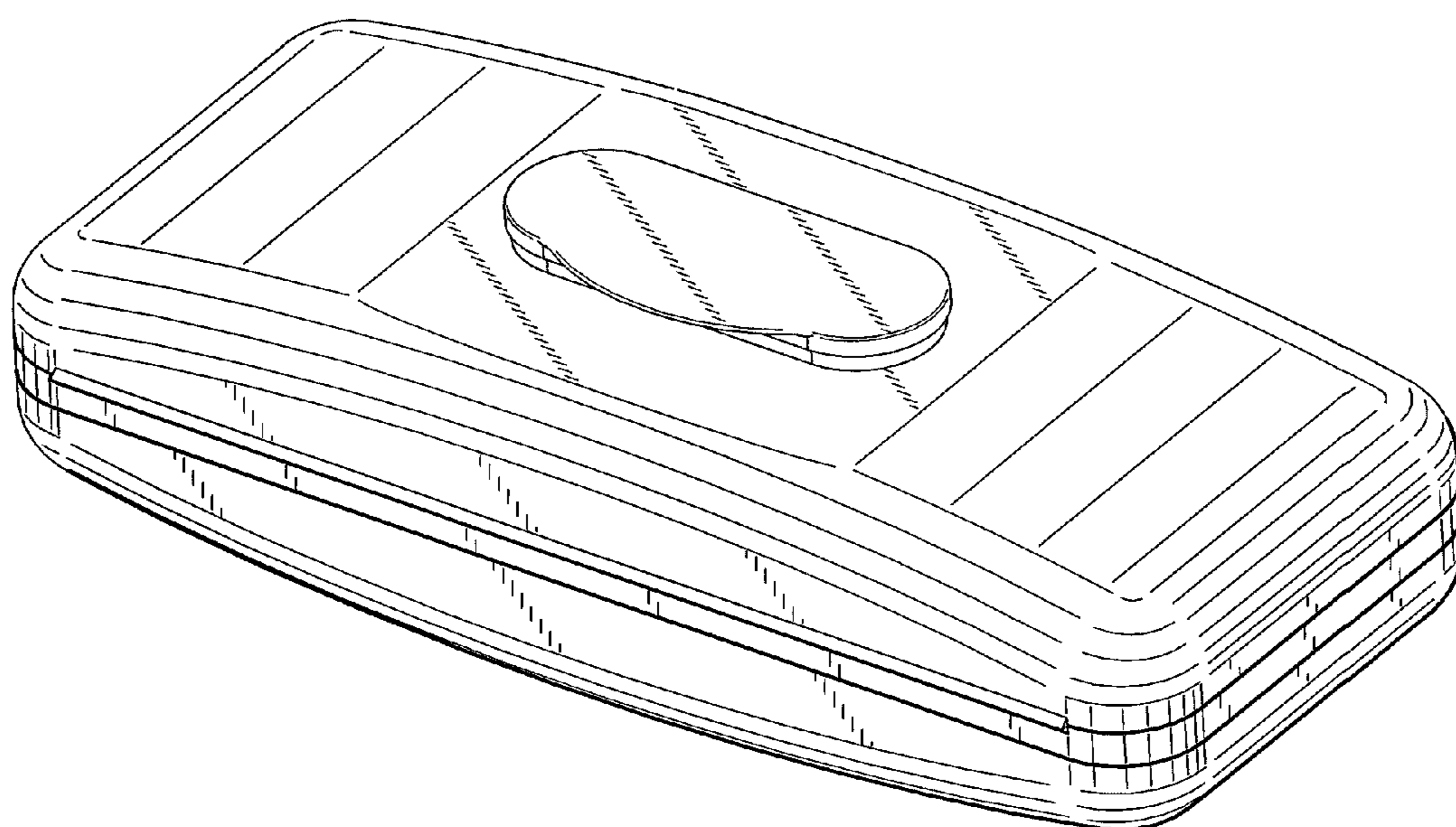


FIG. 8

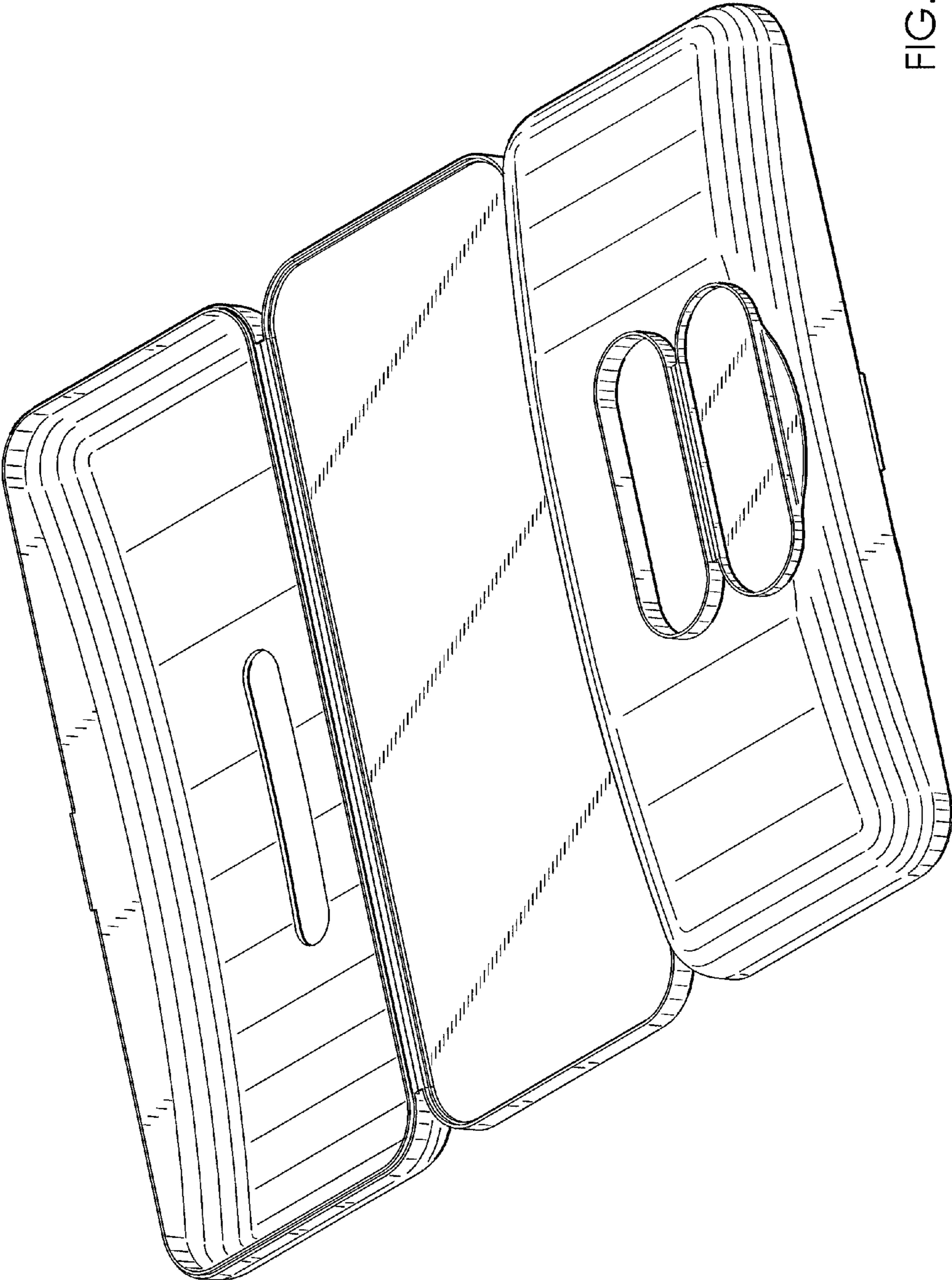


FIG. 9