



US00D725487S

(12) **United States Design Patent**
Chang

(10) **Patent No.:** **US D725,487 S**
(45) **Date of Patent:** **** Mar. 31, 2015**

(54) **BOTTLE**

(71) Applicant: **Chih-Hsien Chang**, Tainan (TW)

(72) Inventor: **Chih-Hsien Chang**, Tainan (TW)

(**) Term: **14 Years**

(21) Appl. No.: **29/494,573**

(22) Filed: **Jun. 23, 2014**

(51) **LOC (10) Cl.** **09-01**

(52) **U.S. Cl.**
USPC **D9/724**

(58) **Field of Classification Search**
USPC D3/202, 203.1; D6/512, 515; D9/512,
D9/515, 516, 529, 549, 550, 556, 558, 571,
D9/723-725, 727; D24/100, 108, 115;
D28/4, 7, 9, 73, 76, 85; 215/DIG. 3,
215/204, 205, 214, 257; 220/715
See application file for complete search history.

(56) **References Cited**

U.S. PATENT DOCUMENTS

D263,795 S * 4/1982 Pagels D9/520
D435,647 S * 12/2000 Shah et al. D24/108

D687,320 S * 8/2013 Lee D9/723
D693,696 S * 11/2013 Vice et al. D9/661
D696,592 S * 12/2013 Ueta et al. D9/723
2003/0034322 A1 * 2/2003 Doherty et al. 215/228

* cited by examiner

Primary Examiner — Derrick Holland

Assistant Examiner — Janice Lim

(74) *Attorney, Agent, or Firm* — Alan D. Kamrath; Kamrath
IP Lawfirm, P.A.

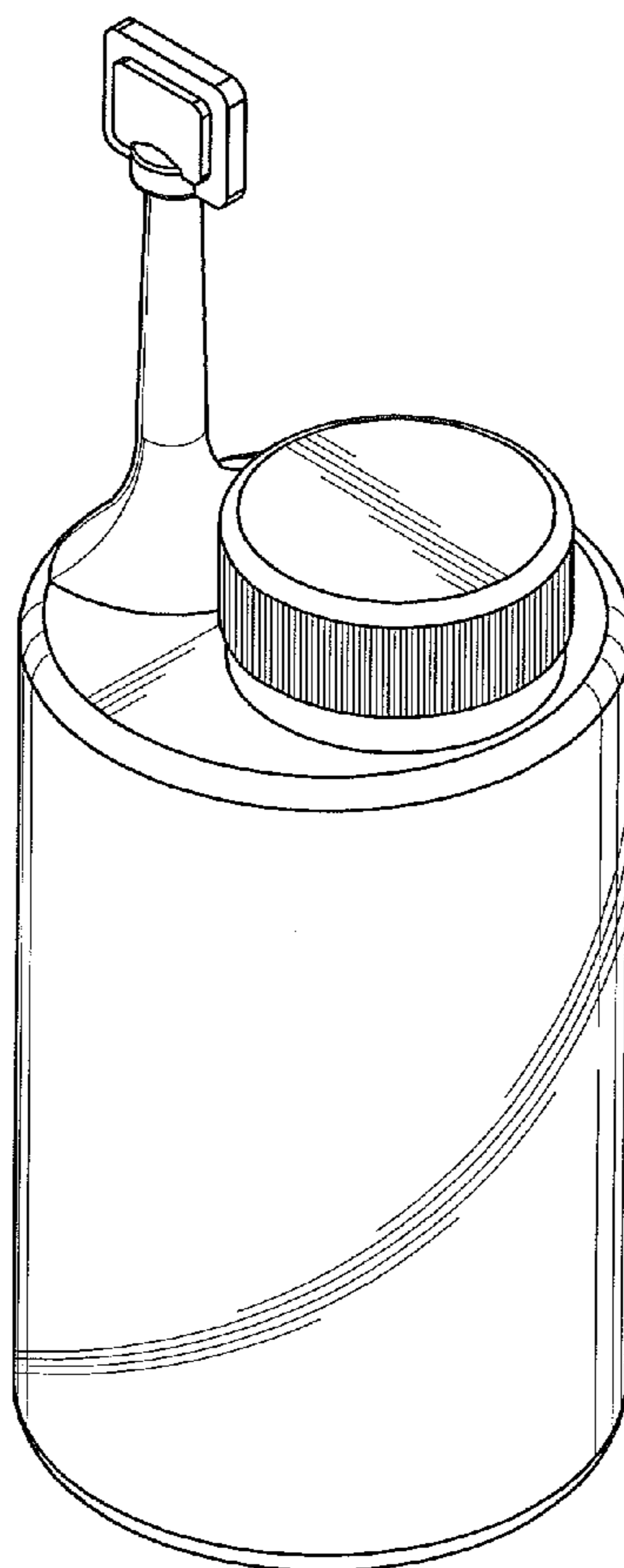
(57) **CLAIM**

The ornamental design for a bottle, as shown and described.

DESCRIPTION

FIG. 1 is a perspective view of a bottle showing my new design;
FIG. 2 is a front elevational view thereof;
FIG. 3 is a rear elevational view thereof;
FIG. 4 is a left side elevational view thereof;
FIG. 5 is a right side elevational view thereof;
FIG. 6 is a top plan view thereof; and,
FIG. 7 is a bottom plan view thereof.

1 Claim, 6 Drawing Sheets



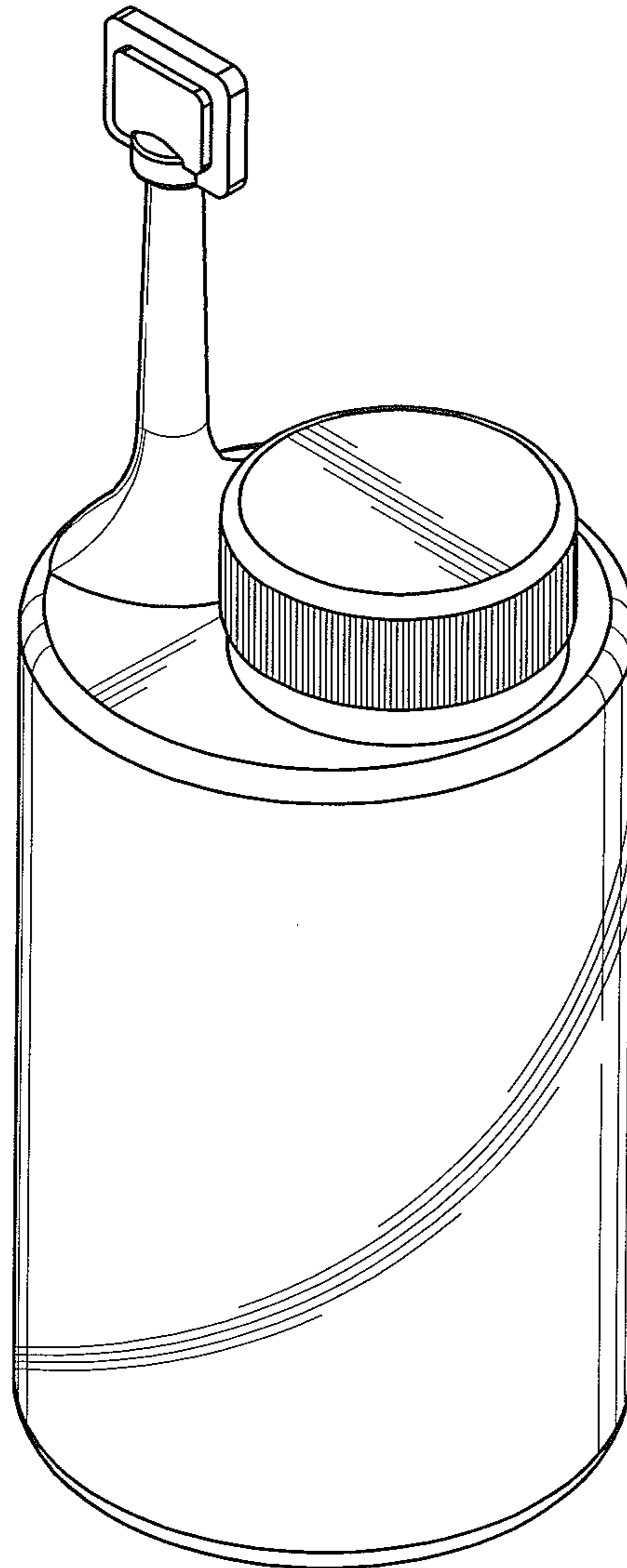


FIG. 1

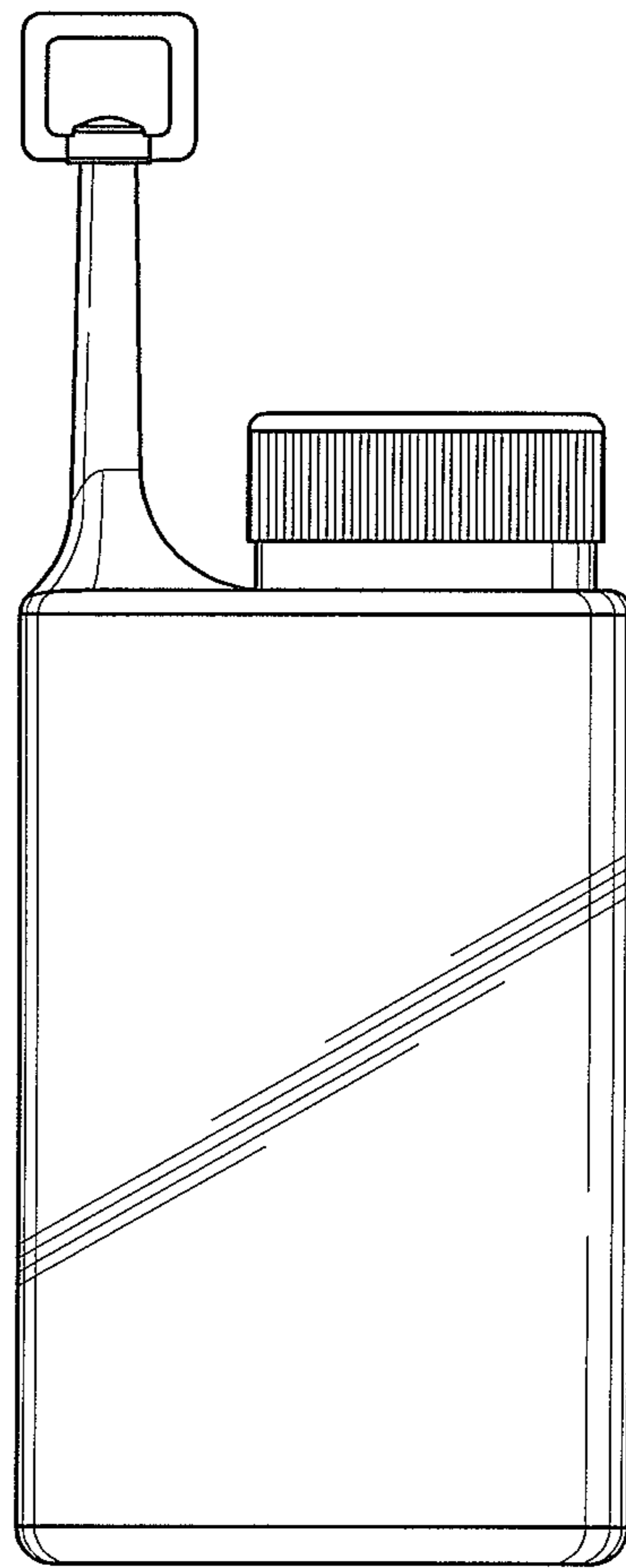


FIG. 2

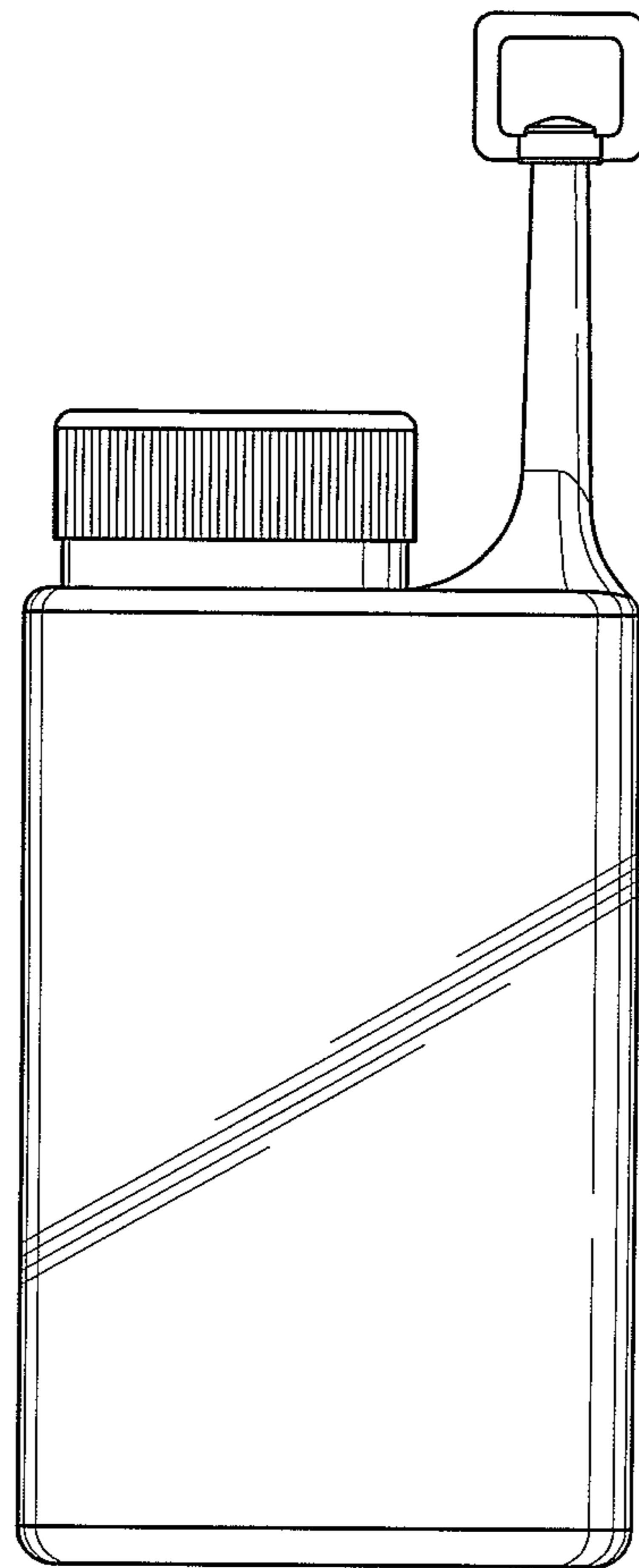


FIG. 3

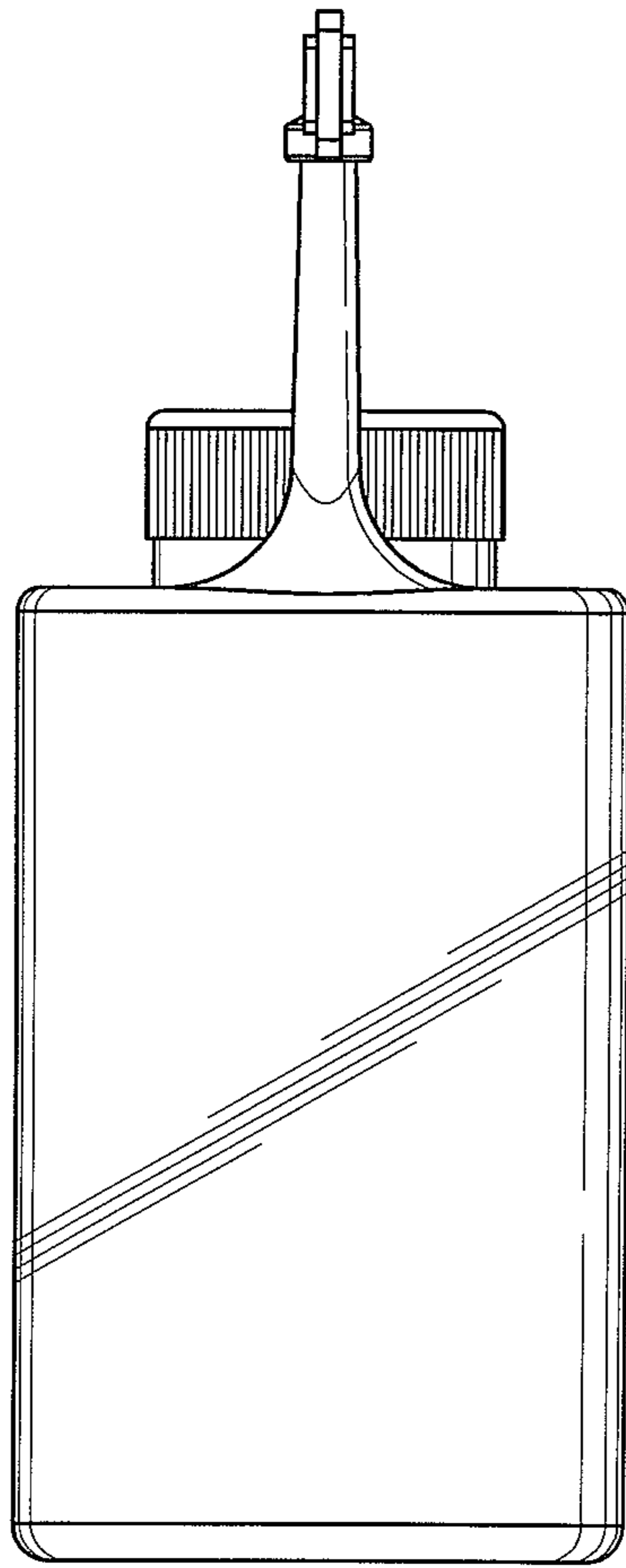


FIG. 4

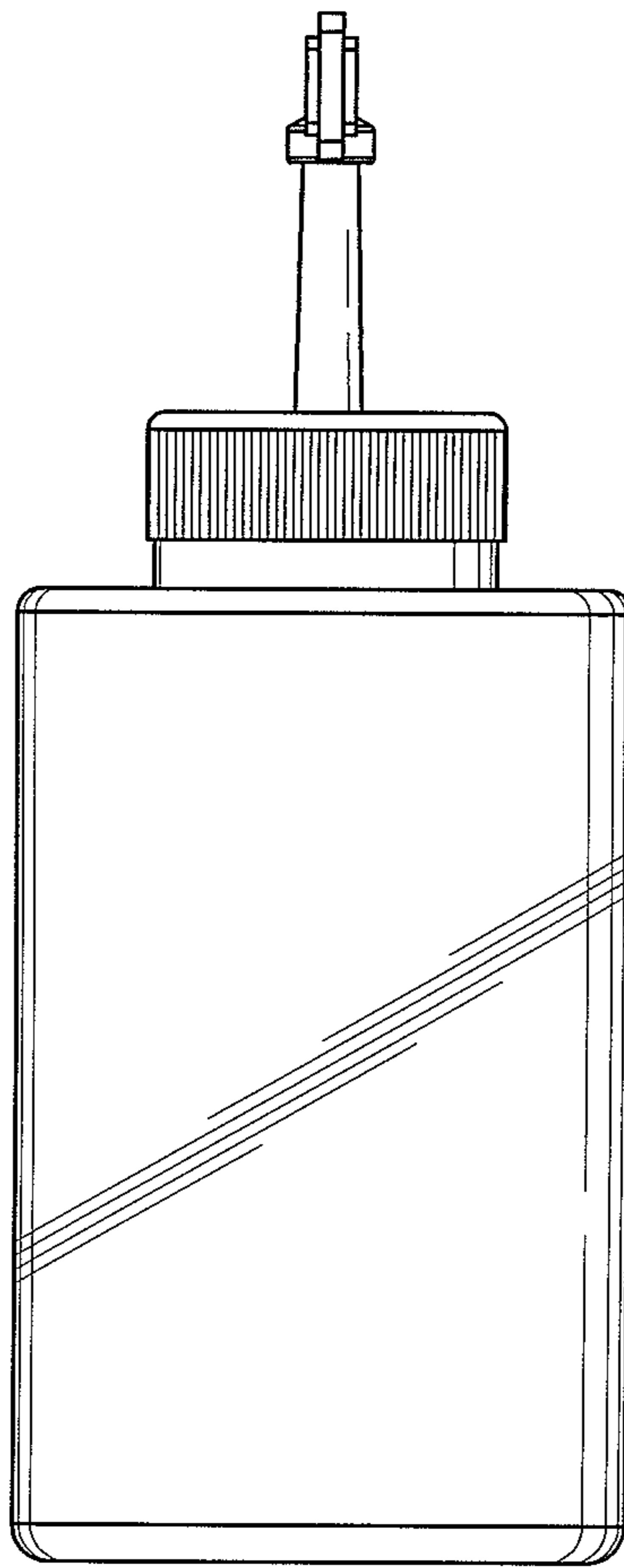


FIG. 5

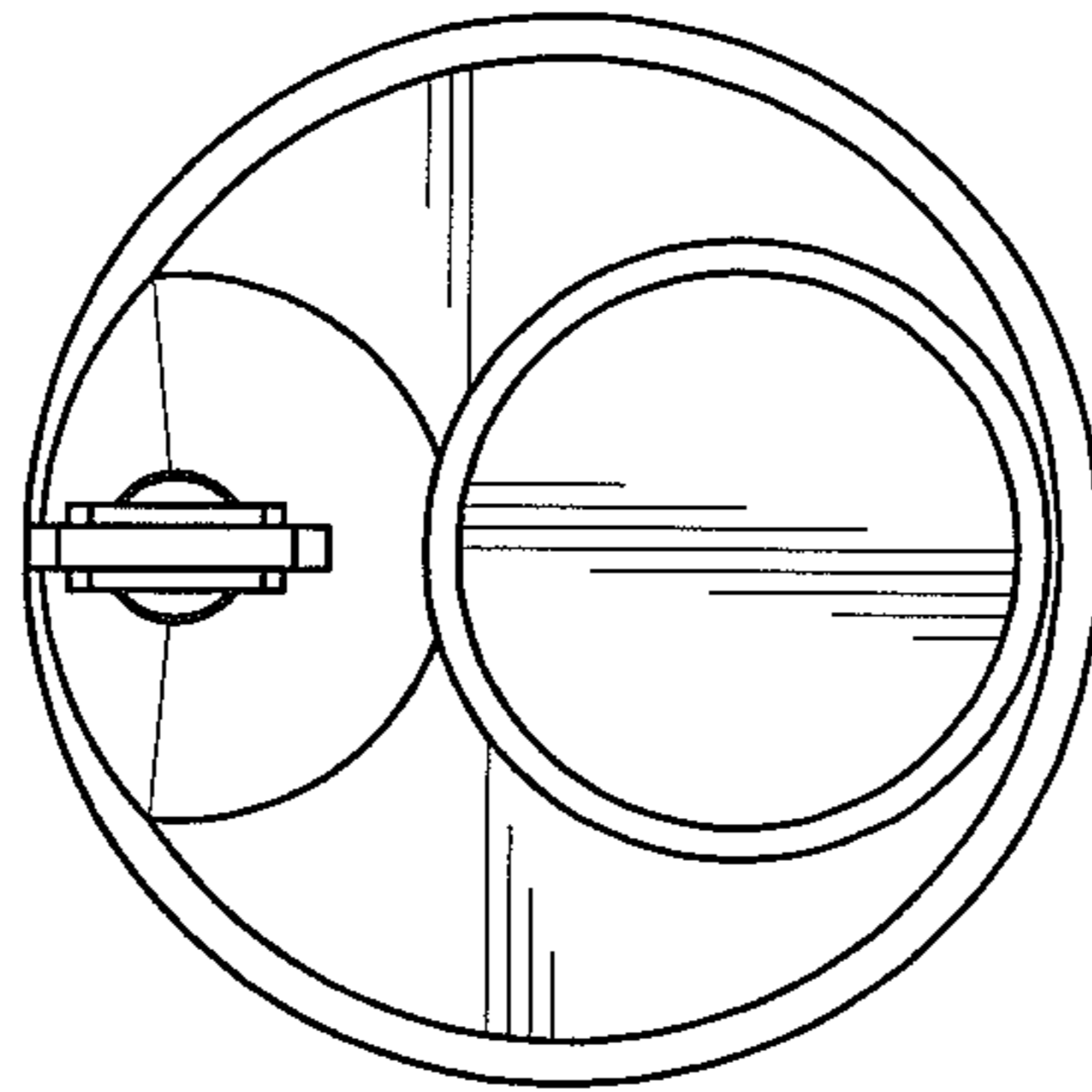


FIG. 6

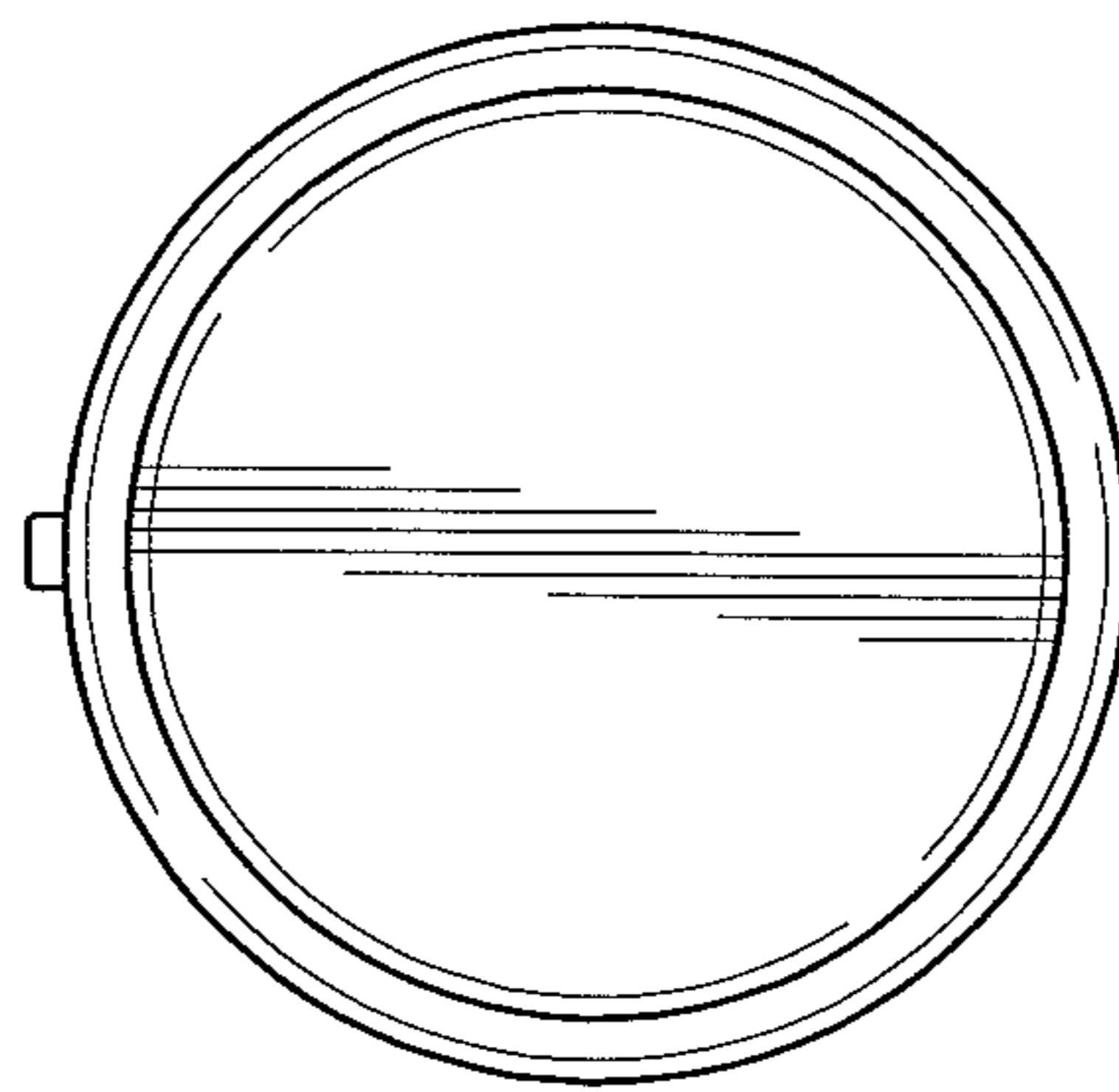


FIG. 7