



US00D725485S

(12) **United States Design Patent**
Hartman et al.

(10) **Patent No.:** **US D725,485 S**
(45) **Date of Patent:** **** Mar. 31, 2015**

(54) **DEVICE FOR APPLYING A FORMULATION TO SKIN**

(71) Applicant: **Wellmark International**, Schaumburg, IL (US)

(72) Inventors: **John David Hartman**, Chicago, IL (US); **Kim Thuy Nguyen**, Scottsdale, AZ (US)

(73) Assignee: **Wellmark International**, Schaumburg, IL (US)

(**) Term: **14 Years**

(21) Appl. No.: **29/460,146**

(22) Filed: **Jul. 8, 2013**

Related U.S. Application Data

(62) Division of application No. 29/407,663, filed on Nov. 30, 2011.

(51) **LOC (10) Cl.** **09-01**

(52) **U.S. Cl.**
USPC **D9/723**

(58) **Field of Classification Search**

USPC D9/418, 414, 417, 428, 440, 572, 573, D9/682, 684, 690, 693, 694, 723-729, 730, D9/732-736; D24/113, 115, 119, 121, D24/130, 188, 197, 207; D3/901; D28/7, D28/76, 73, 82, 83, 99; 222/137, 153.04, 222/165, 209, 212, 213, 226, 228, 255, 256, 222/258, 259, 322, 324, 567, 613, 617, 222/631; 206/38, 438, 823, 828; 221/226, 221/246, 303, 235; 215/381-384; 604/310

See application file for complete search history.

(56) **References Cited**

U.S. PATENT DOCUMENTS

4,183,328 A 1/1980 Lawrence
5,183,006 A 2/1993 Robinson

(Continued)

FOREIGN PATENT DOCUMENTS

FR 2 504 367 A1 10/1982

OTHER PUBLICATIONS

International Search Report of PCT/US2012/036658, mailed on Jul. 30, 2012.

(Continued)

Primary Examiner — Derrick Holland

Assistant Examiner — Lauren Calve

(74) *Attorney, Agent, or Firm* — Kilpatrick Townsend & Stockton LLP

(57) **CLAIM**

The ornamental design for a device for applying a formulation to skin, as shown and described.

DESCRIPTION

FIG. 1 is a right side view of a device for applying a formulation to skin showing the new design;

FIG. 2 is a bottom view thereof;

FIG. 3 is a front, top, and right side perspective view thereof;

FIG. 4 is a top view thereof, shown in an open configuration;

FIG. 5 is a rear view thereof;

FIG. 6 is a top view thereof;

FIG. 7 is a front view thereof;

FIG. 8 is an exploded front, top, and right side perspective view thereof, shown in an open configuration with a cartridge removed from the device; and,

FIG. 9 is a front, top, and right side perspective view thereof, with a cartridge inserted into the device.

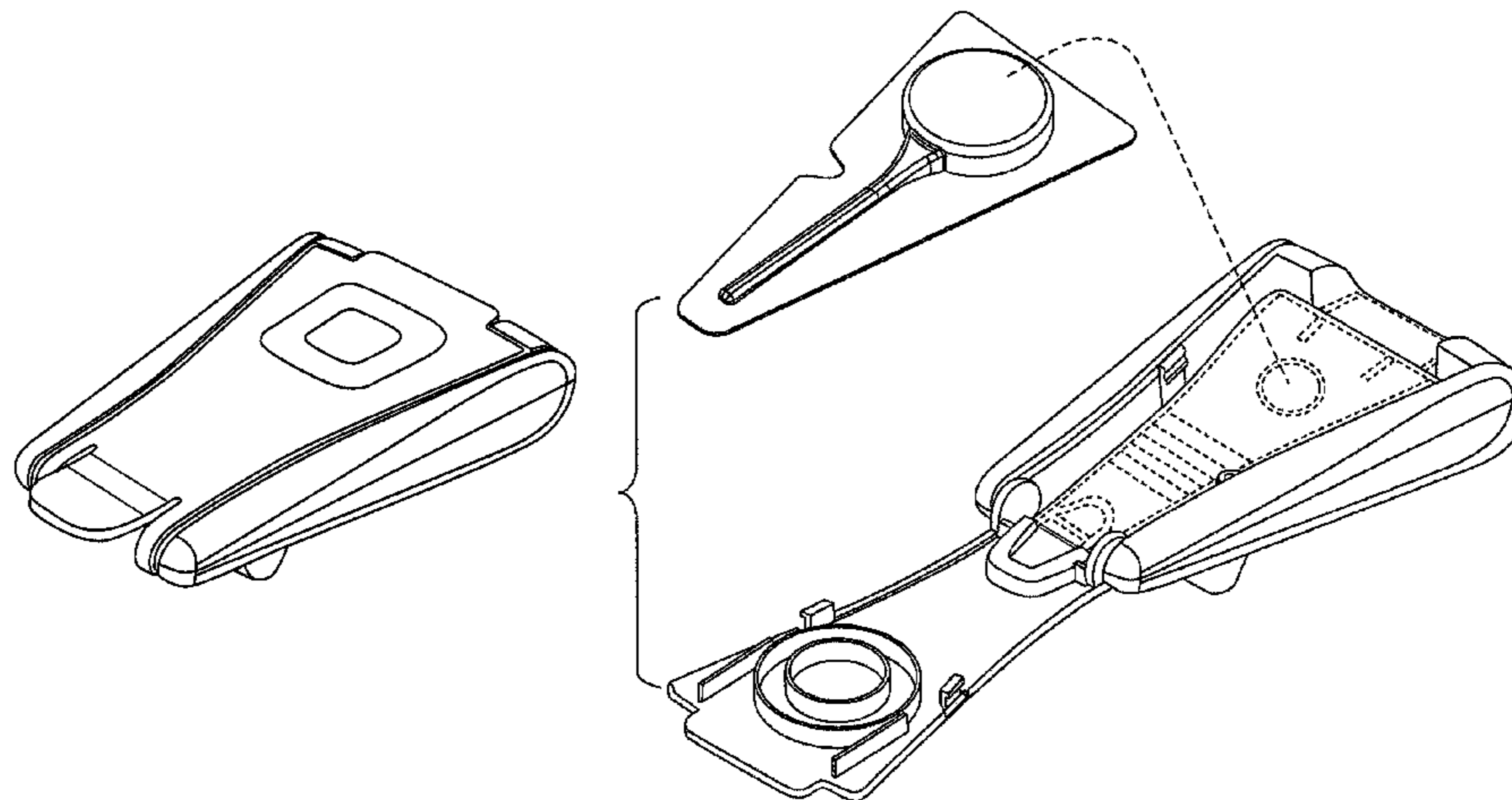
The broken lines shown represent unclaimed subject matter and form no part of the claimed design.

The device for applying a formulation to skin is intended for use as a dispenser of a fluid formulation. One example of such a formulation is a formulation intended for tick and flea control on pets (for example, either dogs or cats; preferably, dogs only or cats only). In the embodiments shown herein, the device includes a “lip” that acts to spread the fur or hair, thereby facilitating the application of the fluid to the skin.

In some aspects, the texture may be different (e.g., a heavy or slightly rough texture on the bottom, and a smooth texture on the top).

In some aspects, the texture may be different (e.g., a heavy or slightly rough texture on the bottom, and a smooth texture on the top).

1 Claim, 3 Drawing Sheets



(56)

References Cited

U.S. PATENT DOCUMENTS

5,396,730 A 3/1995 VanGundy et al.
 5,575,403 A * 11/1996 Charlton et al. 221/31
 6,035,806 A 3/2000 Lorenzo
 D456,514 S 4/2002 Brown et al.
 D480,635 S 10/2003 Caroen
 D524,167 S 7/2006 Wilson
 D544,092 S 6/2007 Lewis
 D544,704 S 6/2007 Kenny
 D553,507 S 10/2007 Scimone
 7,279,130 B2 * 10/2007 Brown 422/64
 D601,692 S 10/2009 Tout et al.
 D604,631 S 11/2009 Duncan
 D605,059 S 12/2009 Cooper et al.

D619,798 S 7/2010 Leifeld et al.
 7,919,045 B2 * 4/2011 Perry et al. 422/64
 D676,549 S 2/2013 Lovell et al.
 8,409,505 B2 * 4/2013 Flora et al. 422/63
 8,545,755 B2 * 10/2013 Creaven et al. 422/64
 2007/0017538 A1 1/2007 Hurwitz
 2009/0105673 A1 4/2009 Cascio et al.
 2010/0087790 A1 4/2010 Hurwitz
 2013/0079735 A1 3/2013 Hartman et al.

OTHER PUBLICATIONS

Design U.S. Appl. No. 29/462,659; Office Action mailed Nov. 7, 2013.

* cited by examiner

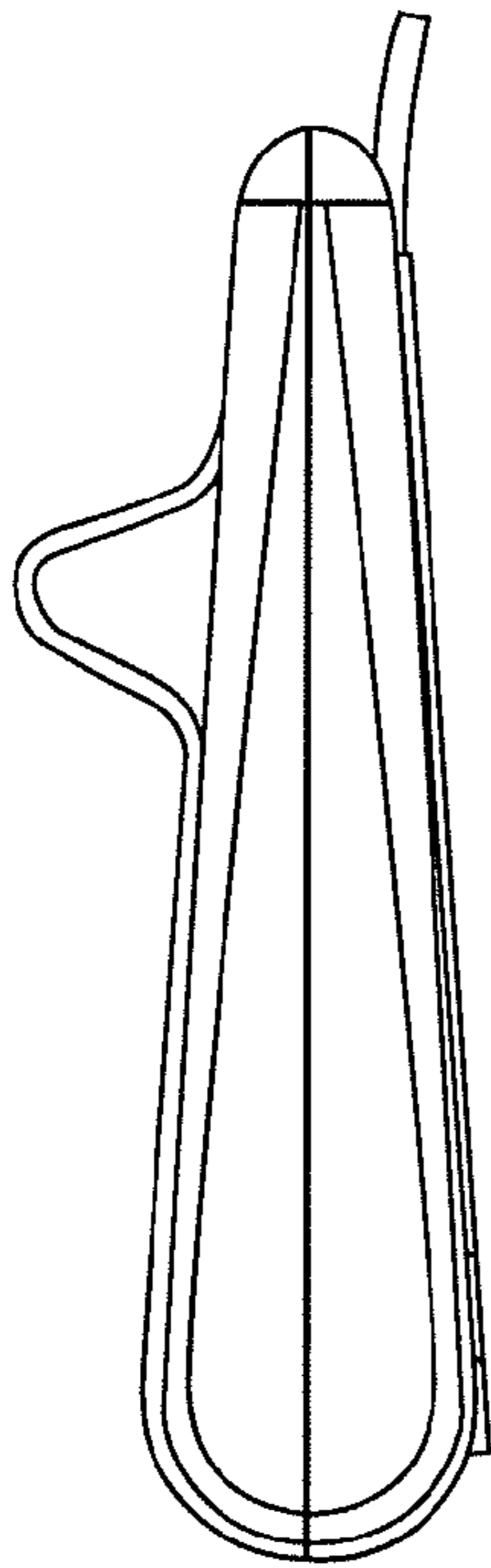


FIG. 1

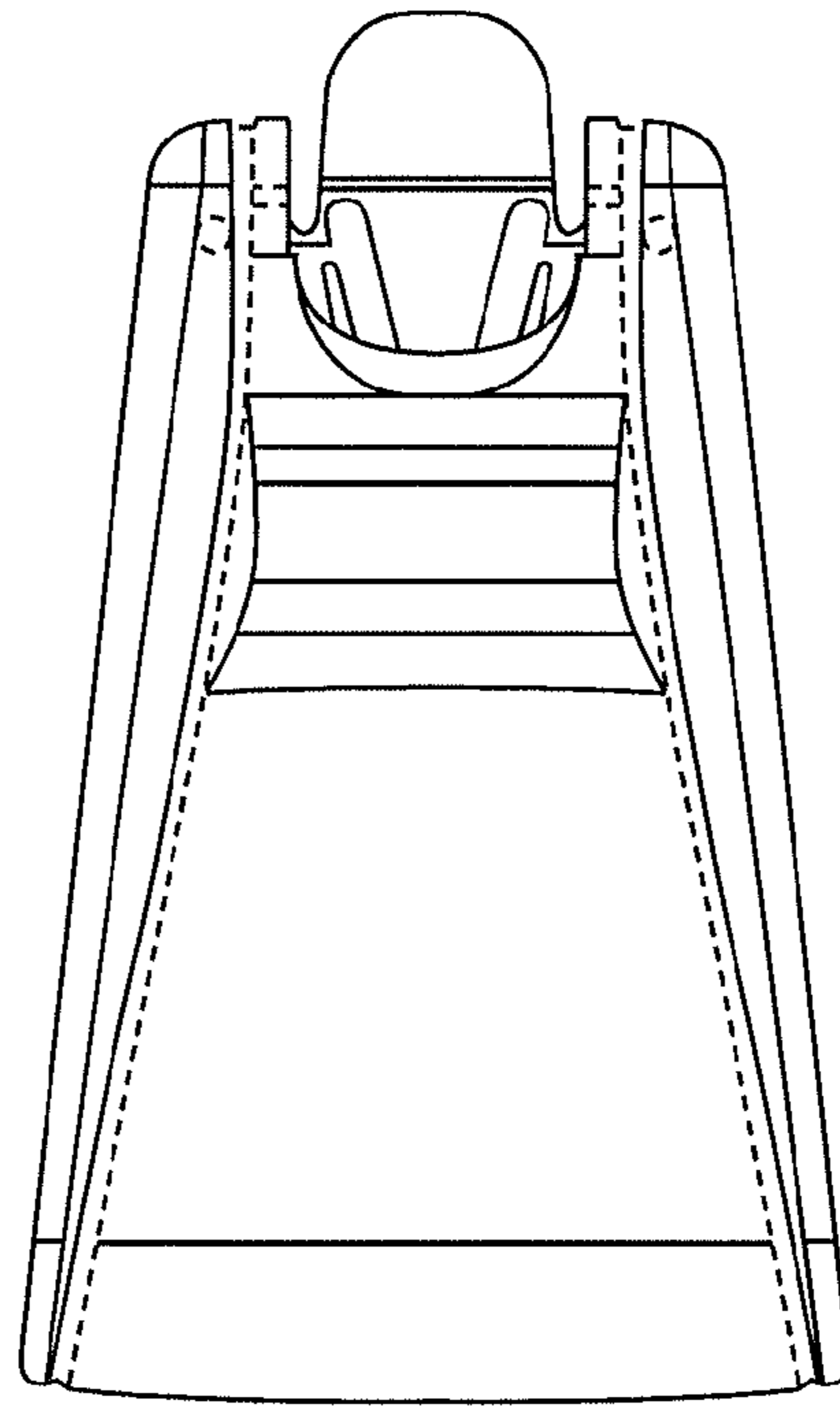


FIG. 2

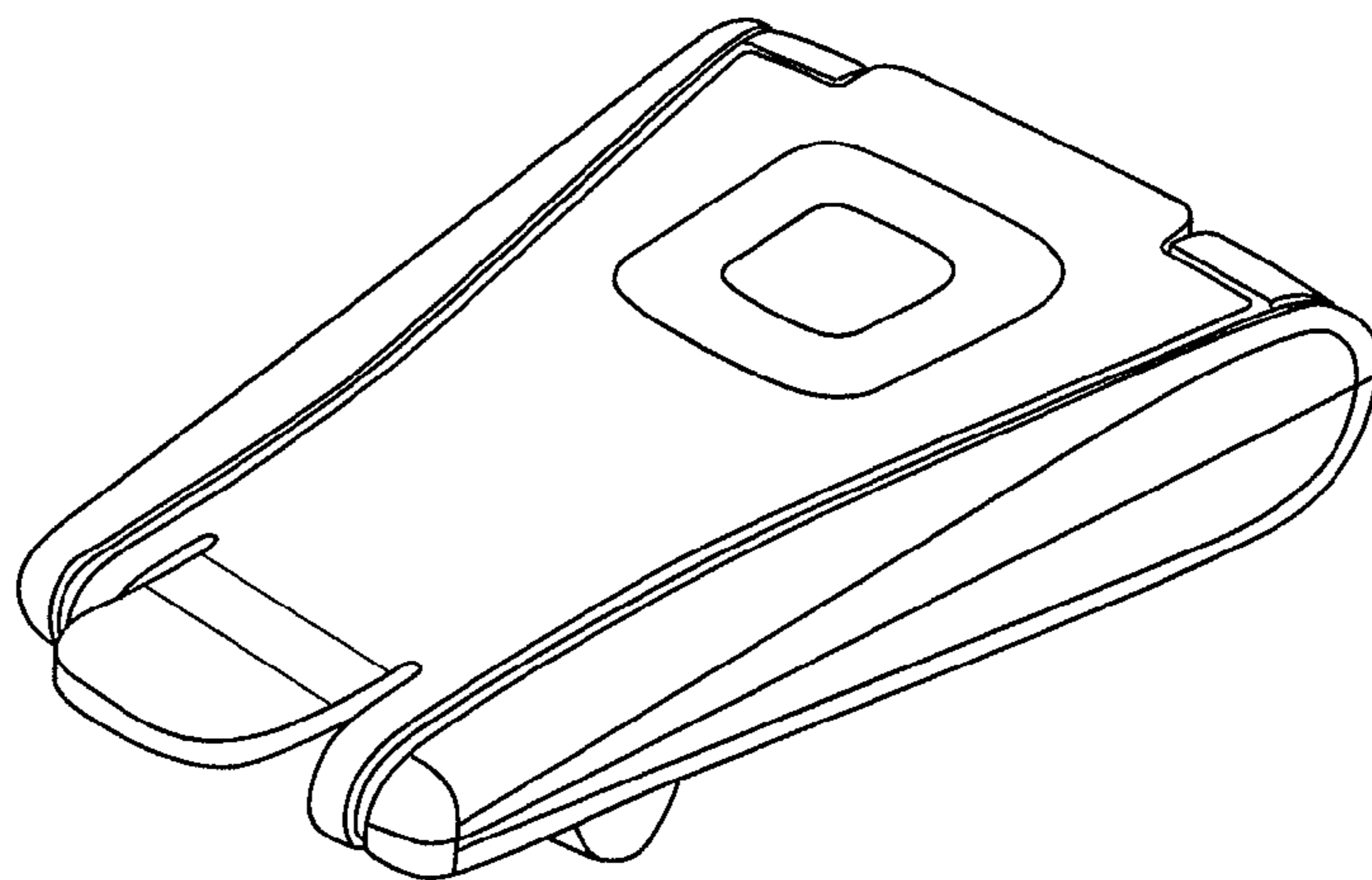


FIG. 3

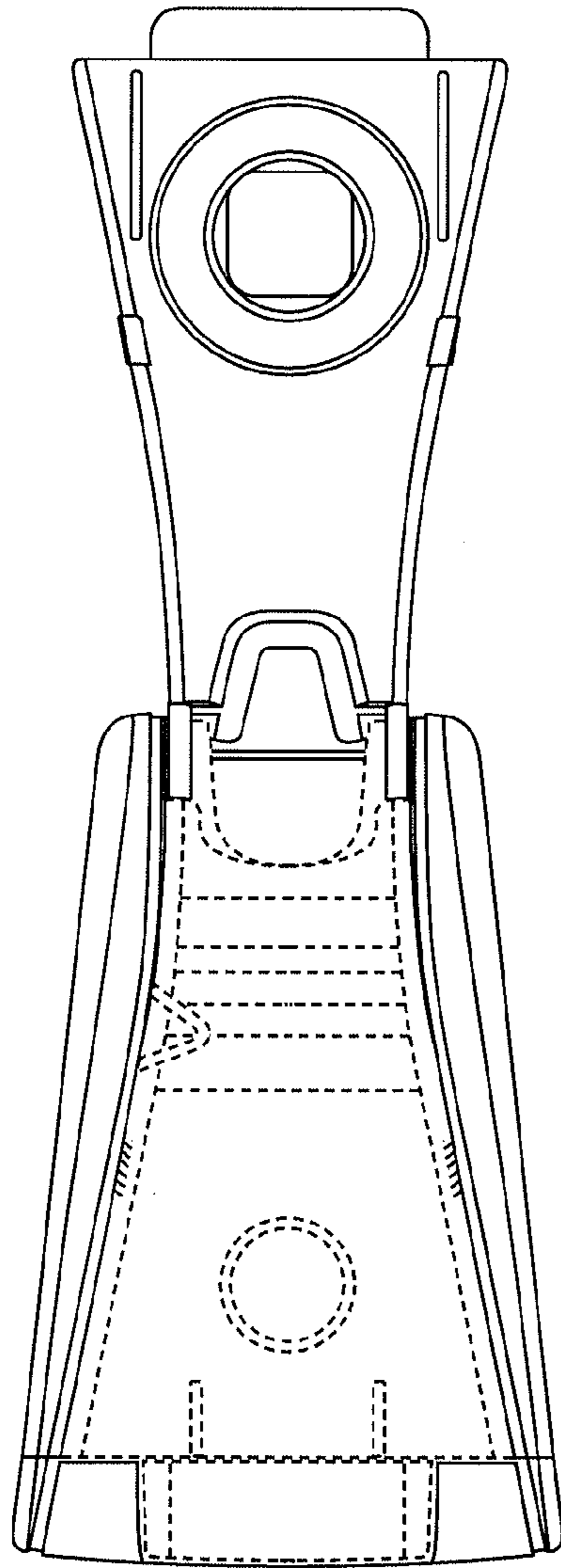


FIG. 4

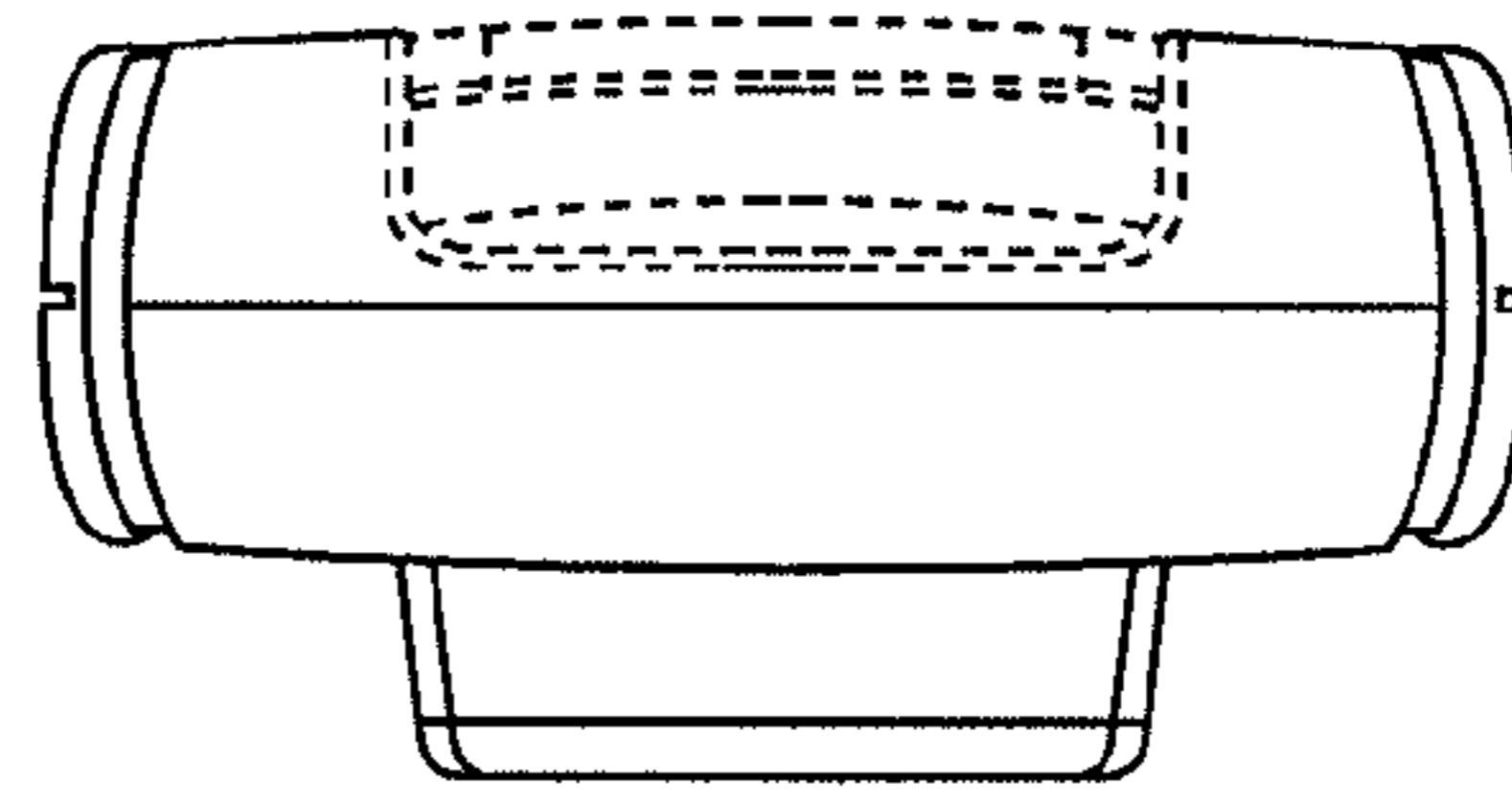


FIG. 5

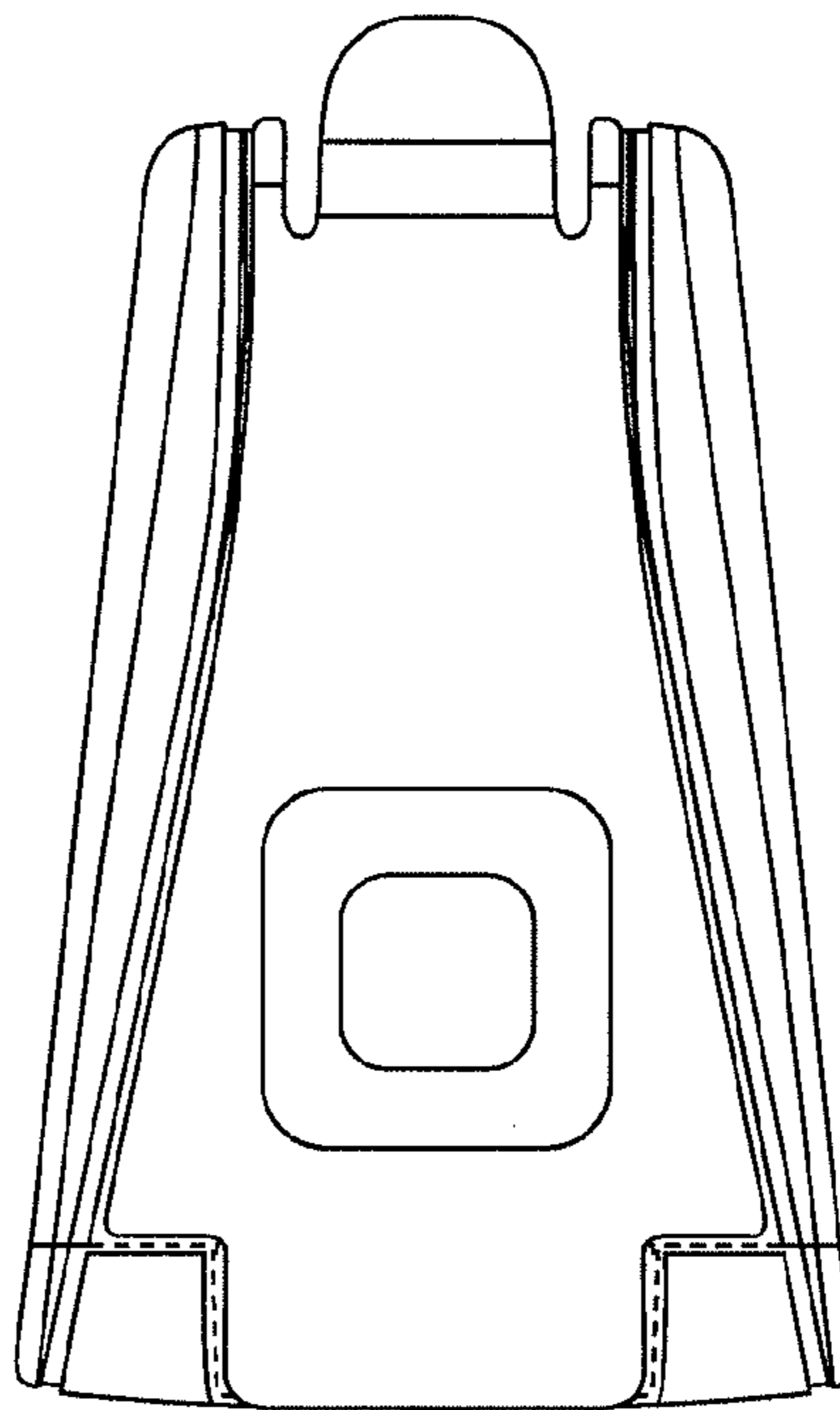


FIG. 6

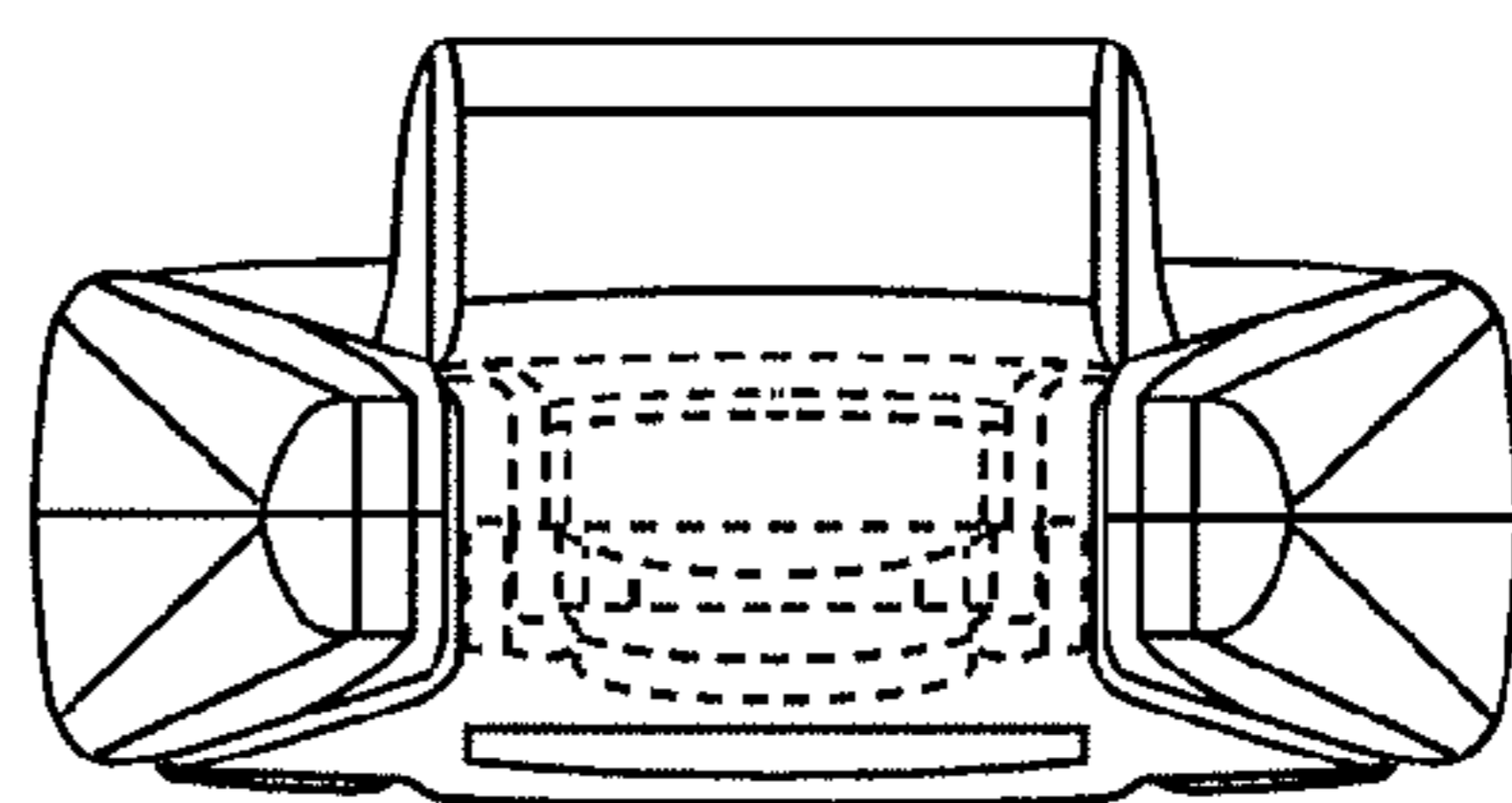


FIG. 7

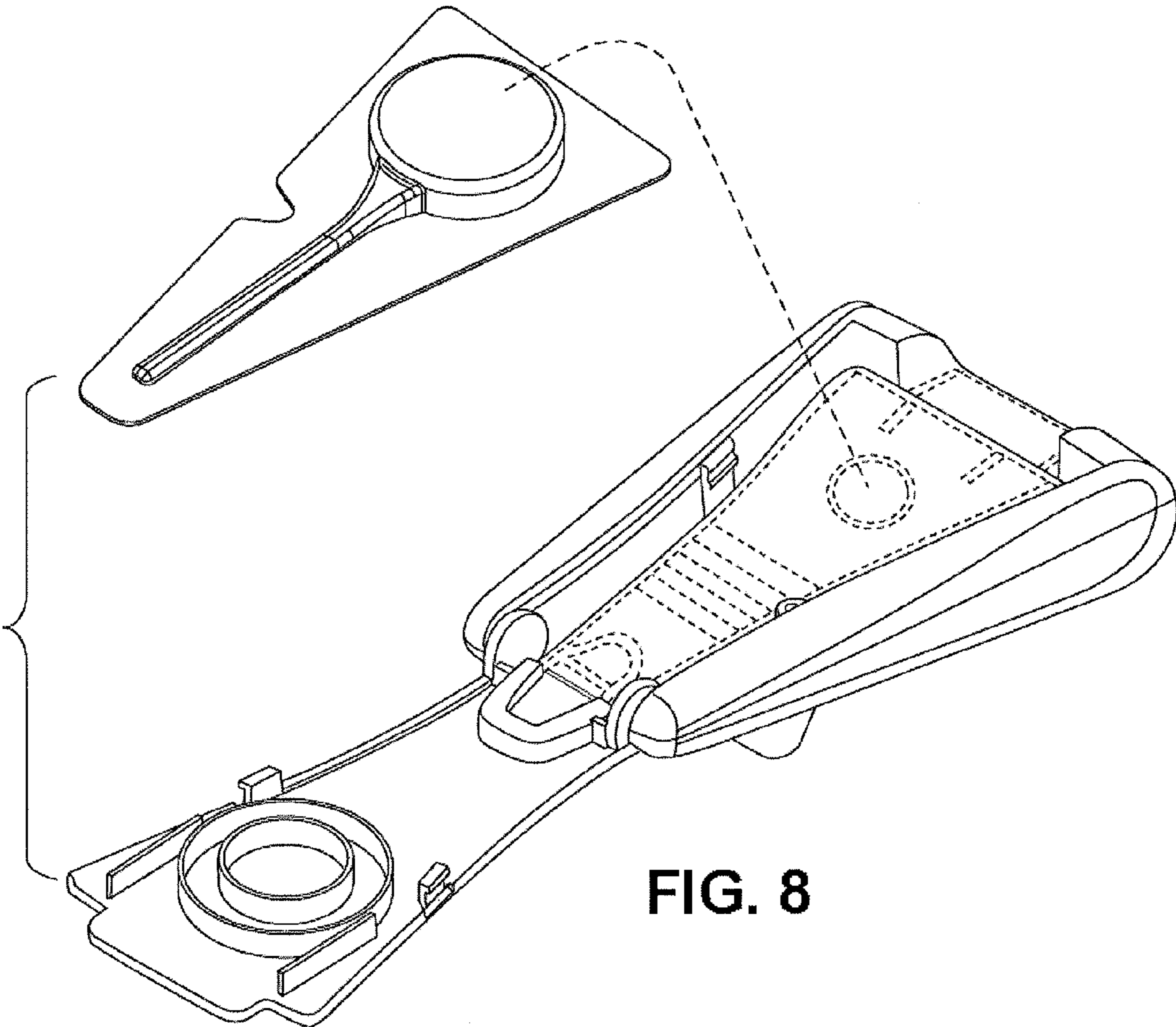


FIG. 8

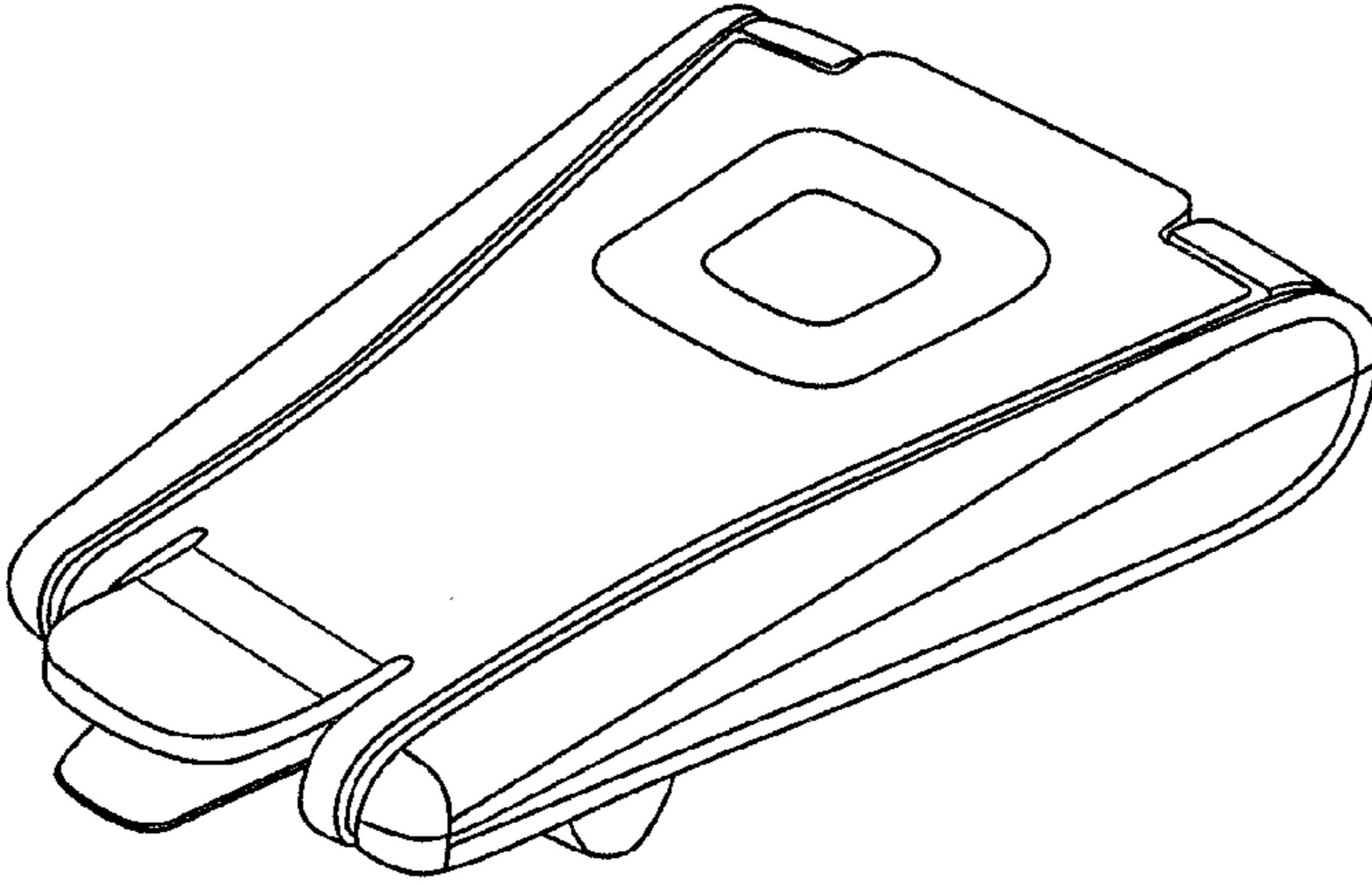


FIG. 9