



US00D725484S

(12) **United States Design Patent**
Castaing

(10) **Patent No.:** **US D725,484 S**

(45) **Date of Patent:** **** *Mar. 31, 2015**

(54) **STORAGE BOX**

(71) Applicant: **Ceva Sante Animale**, Libourne (FR)

(72) Inventor: **Jean-Francois Castaing**, Beguey (FR)

(73) Assignee: **Ceva Sante Animale**, Libourne (FR)

(*) Notice: This patent is subject to a terminal disclaimer.

(**) Term: **14 Years**

(21) Appl. No.: **29/439,071**

(22) Filed: **Dec. 6, 2012**

(30) **Foreign Application Priority Data**

Jul. 19, 2012 (EP) 002076331-0002

(51) **LOC (10) Cl.** **09-05**

(52) **U.S. Cl.**
USPC **D9/711**

(58) **Field of Classification Search**
USPC D9/702-714, 414-415, 424, 430, 432;
D3/20, 201-202, 304-315; D19/75,
D19/77-78, 86, 90-92; D6/553, 567, 514,
D6/329, 657, 336, 653, 653.1, 654, 667,
D6/672, 675, 677, 682.1, 683, 683.1;
206/214, 436, 290, 426, 425, 775-783;
211/12, 85.1-85.15, 85.17; 312/351.1,
312/351.4; 220/476, 500, 507, 524;
D7/614-615, 701

See application file for complete search history.

(56) **References Cited**

U.S. PATENT DOCUMENTS

D318,568 S * 7/1991 Håkansson D3/283
D340,803 S * 11/1993 Bradford et al. D3/283
D345,071 S * 3/1994 Gould D6/571

D362,135 S * 9/1995 Wilson et al. D6/470
D402,838 S * 12/1998 Sherbet D6/515
D437,719 S * 2/2001 Dicellis D6/571
D526,512 S * 8/2006 Hahn D6/476
D571,590 S * 6/2008 DeMartino D6/515
D653,475 S * 2/2012 Thompson D6/437

* cited by examiner

Primary Examiner — Richard E Chilcot

Assistant Examiner — Abraham Bahta

(74) *Attorney, Agent, or Firm* — David D. Brush; Westman, Champlin & Koehler, P.A.

(57) **CLAIM**

The ornamental design for a storage box, as shown and described.

DESCRIPTION

Reference is hereby made to co-filed U.S. Design patent application Ser. No. 29/439,070, filed Dec. 6, 2012, entitled "Storage Box".

FIG. 1 is a top front perspective view of a first embodiment of a storage box;

FIG. 2 is a front view thereof;

FIG. 3 is a left side view thereof, the right side being a mirror image of the left side;

FIG. 4 is a rear view thereof;

FIG. 5 is a top view thereof;

FIG. 6 is a bottom thereof;

FIG. 7 is a top front perspective view of a second embodiment of a storage box;

FIG. 8 is a front view thereof;

FIG. 9 is a left side view thereof, the right side being a mirror image of the left side;

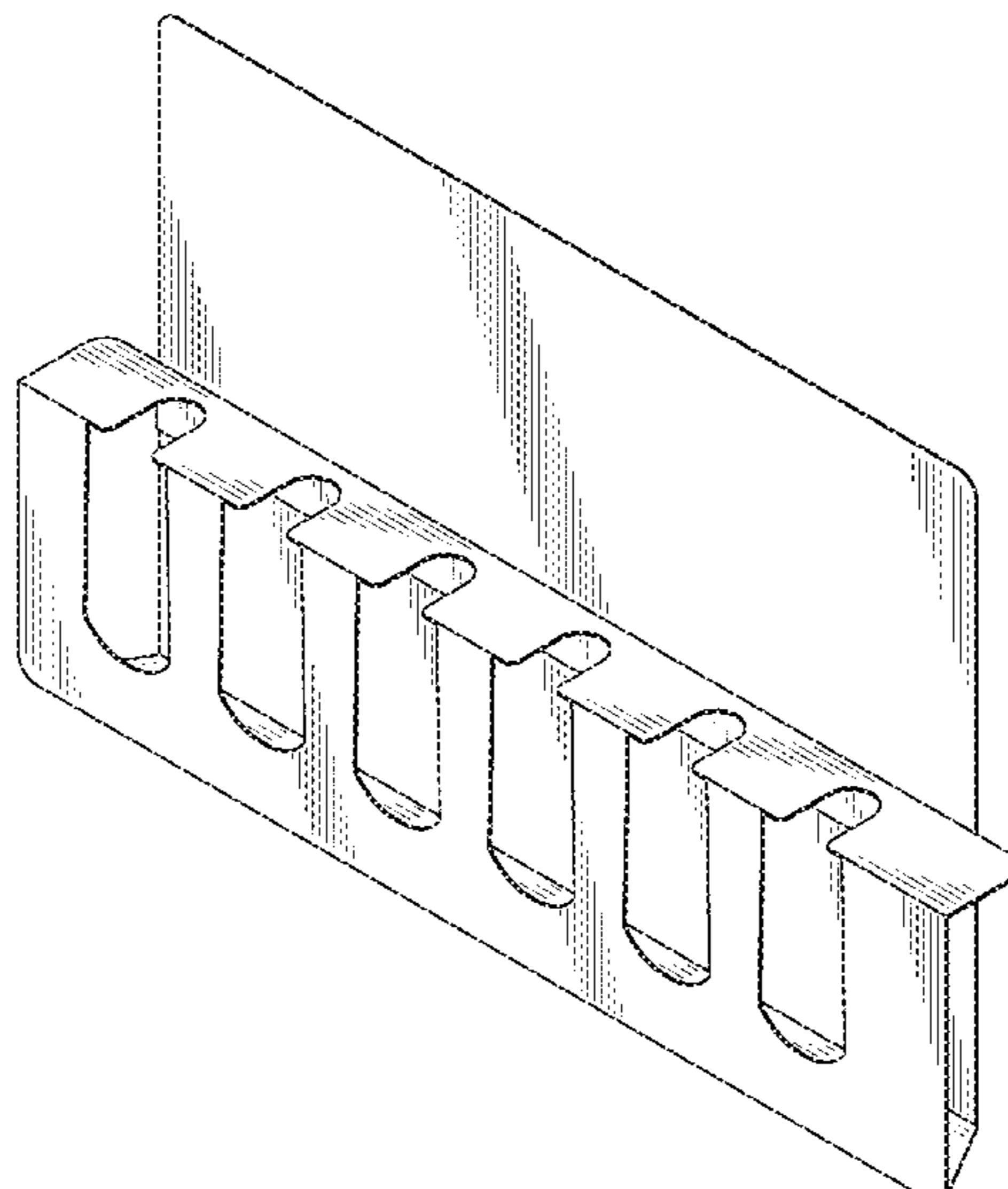
FIG. 10 is a rear view thereof;

FIG. 11 is a top view thereof; and,

FIG. 12 is a bottom thereof.

Features shown in broken lines illustrate environmental subject matter only, and form no part of the claimed design.

1 Claim, 6 Drawing Sheets



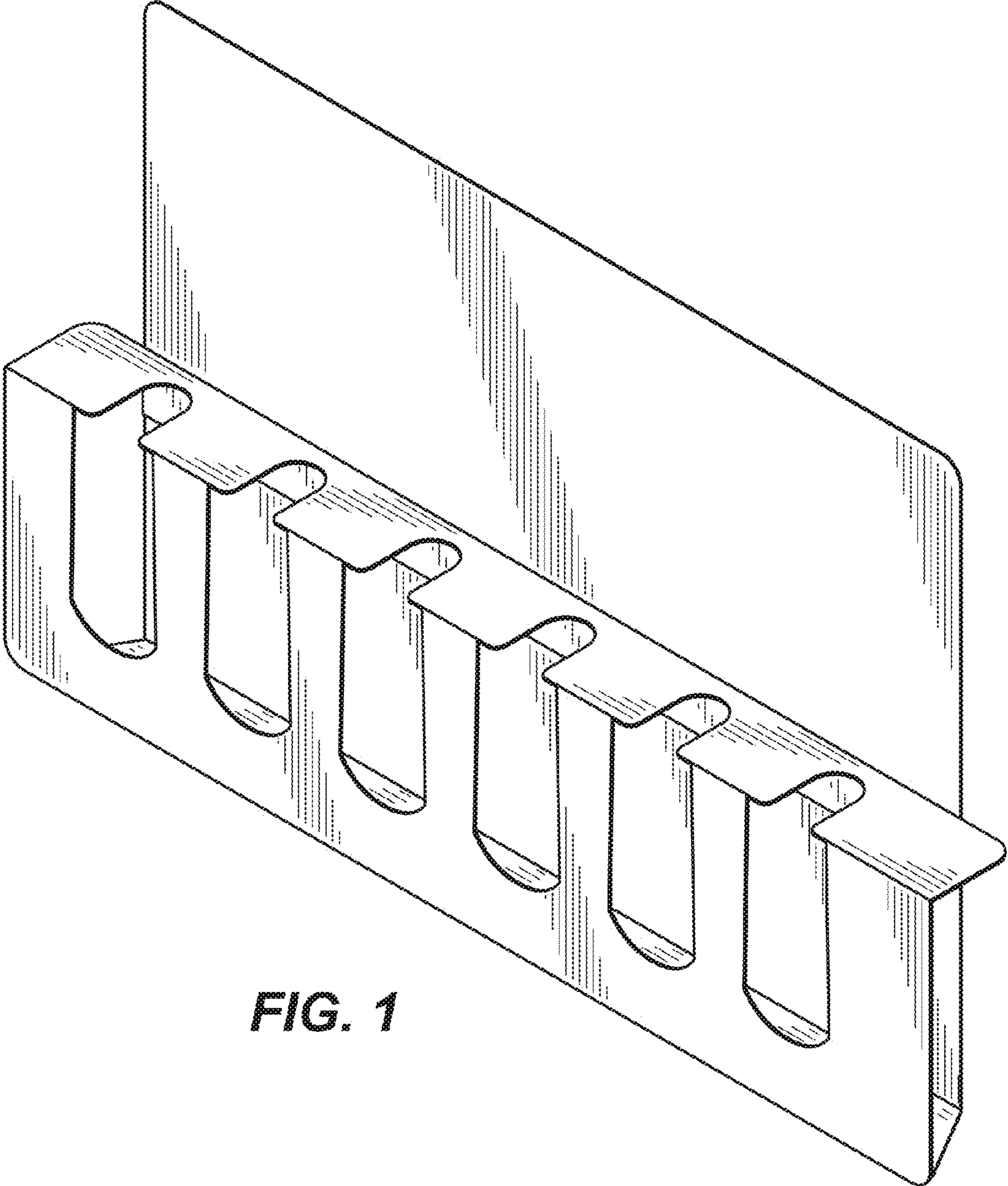


FIG. 1

FIG. 2

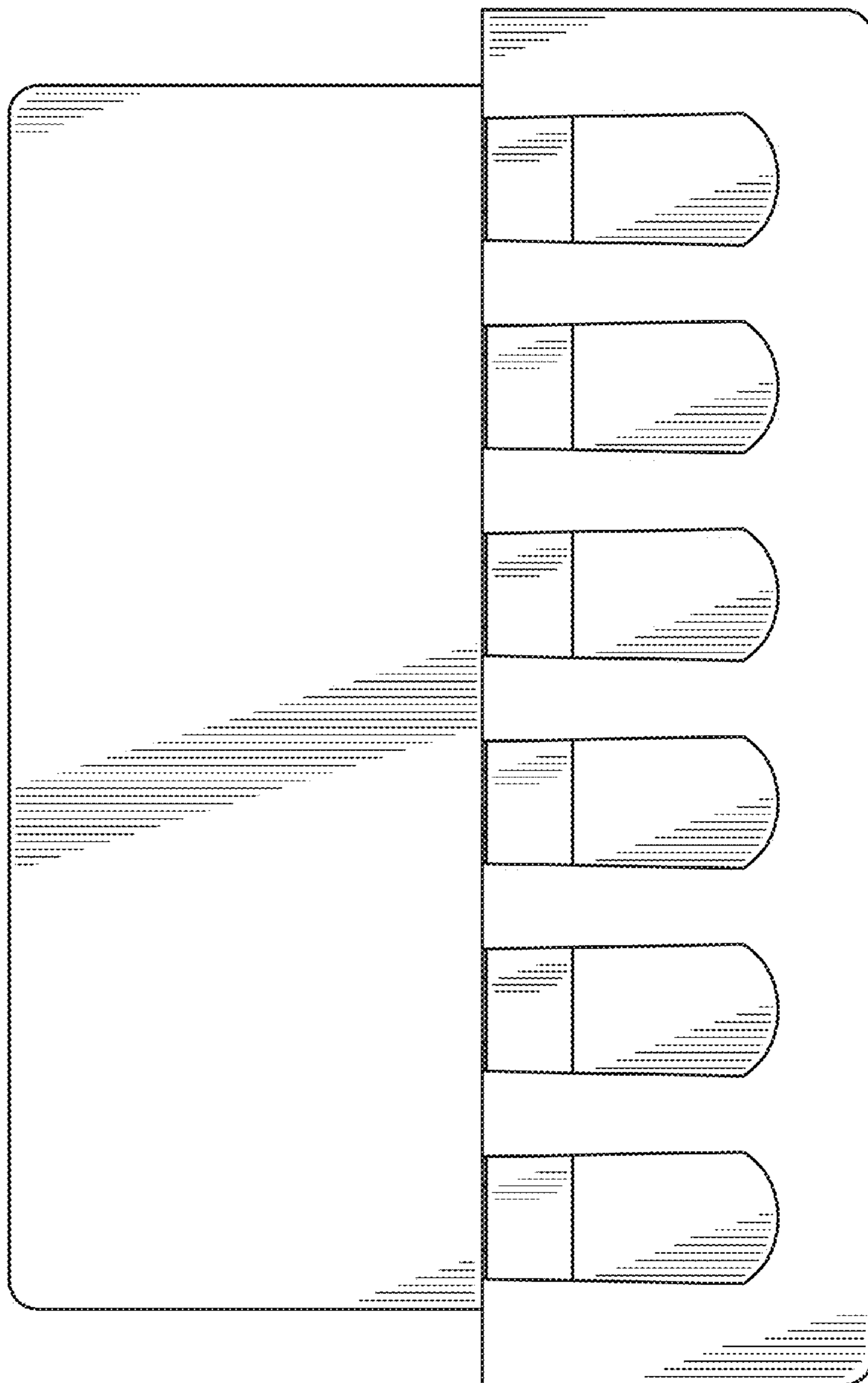


FIG. 3

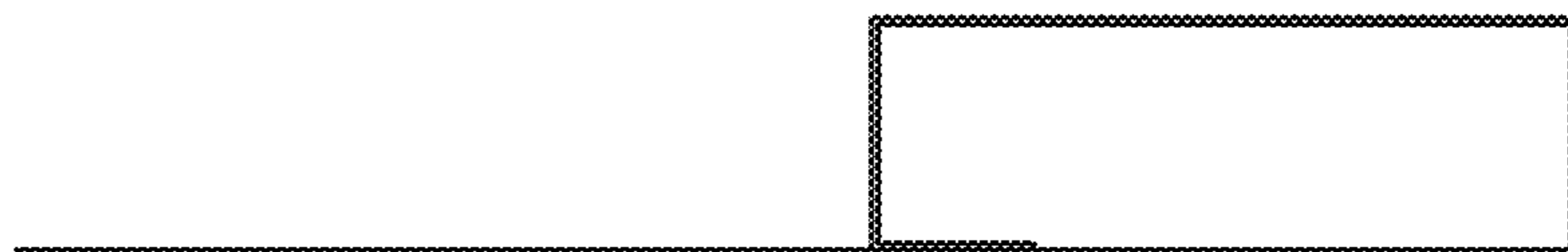


FIG. 5

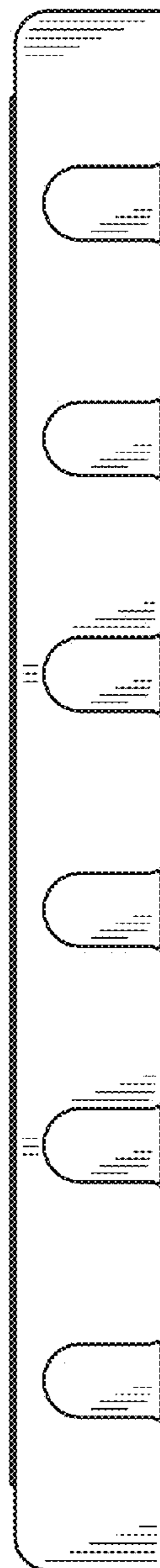


FIG. 4

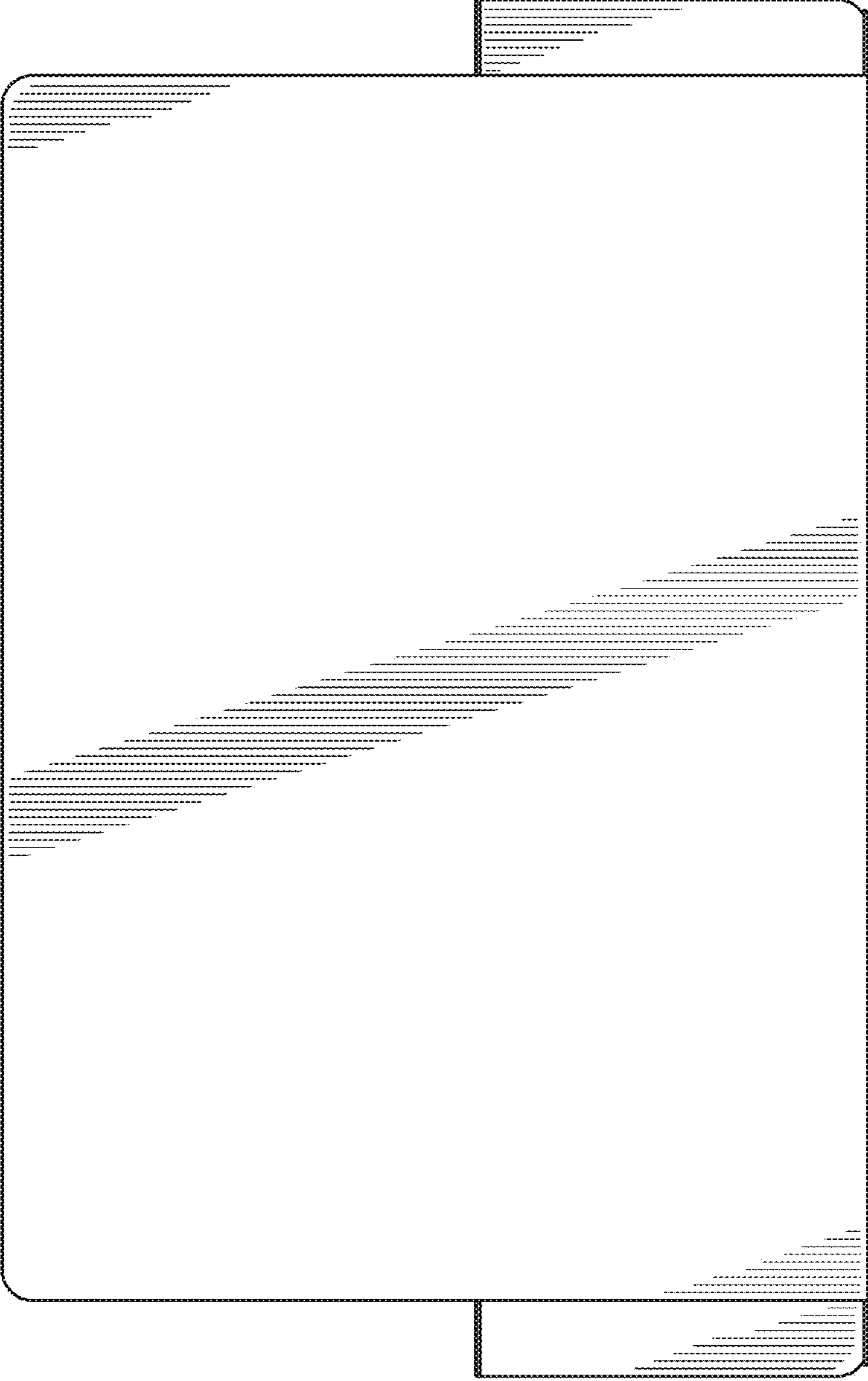
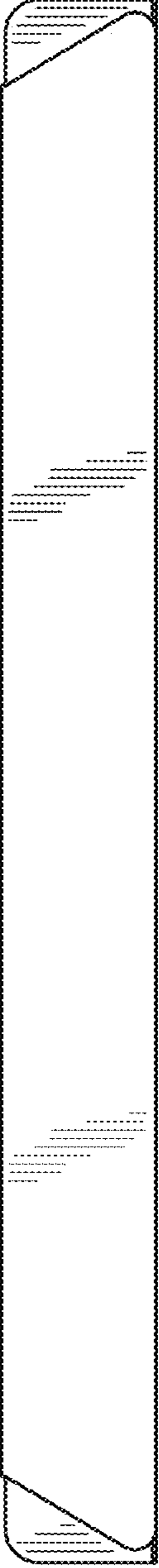


FIG. 6



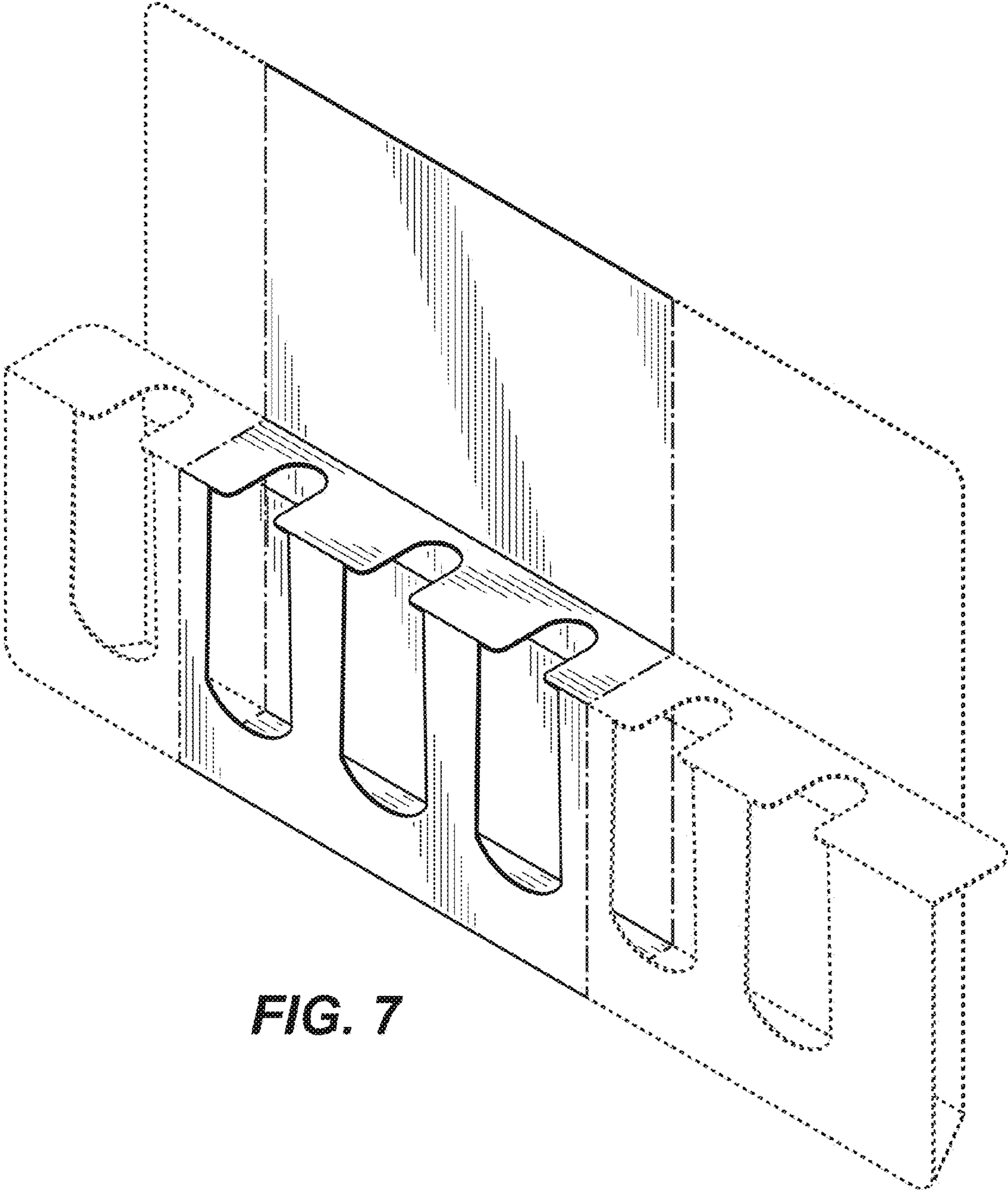


FIG. 7

FIG. 8

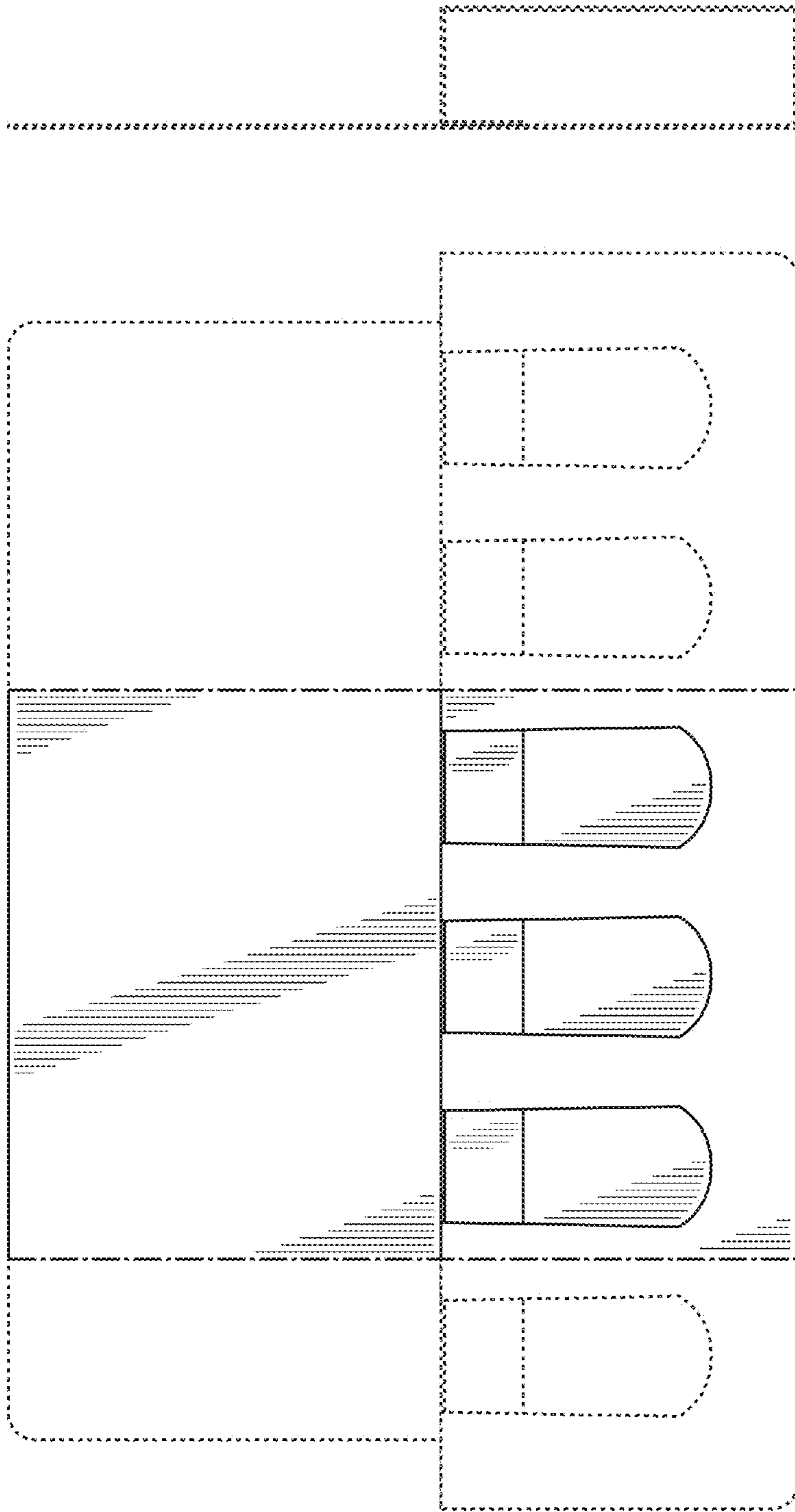


FIG. 9

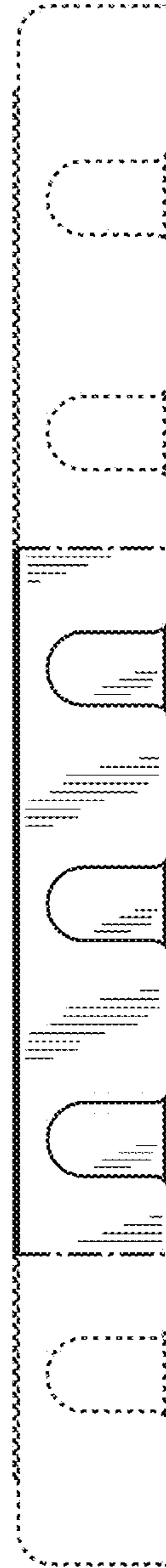


FIG. 11

FIG. 10

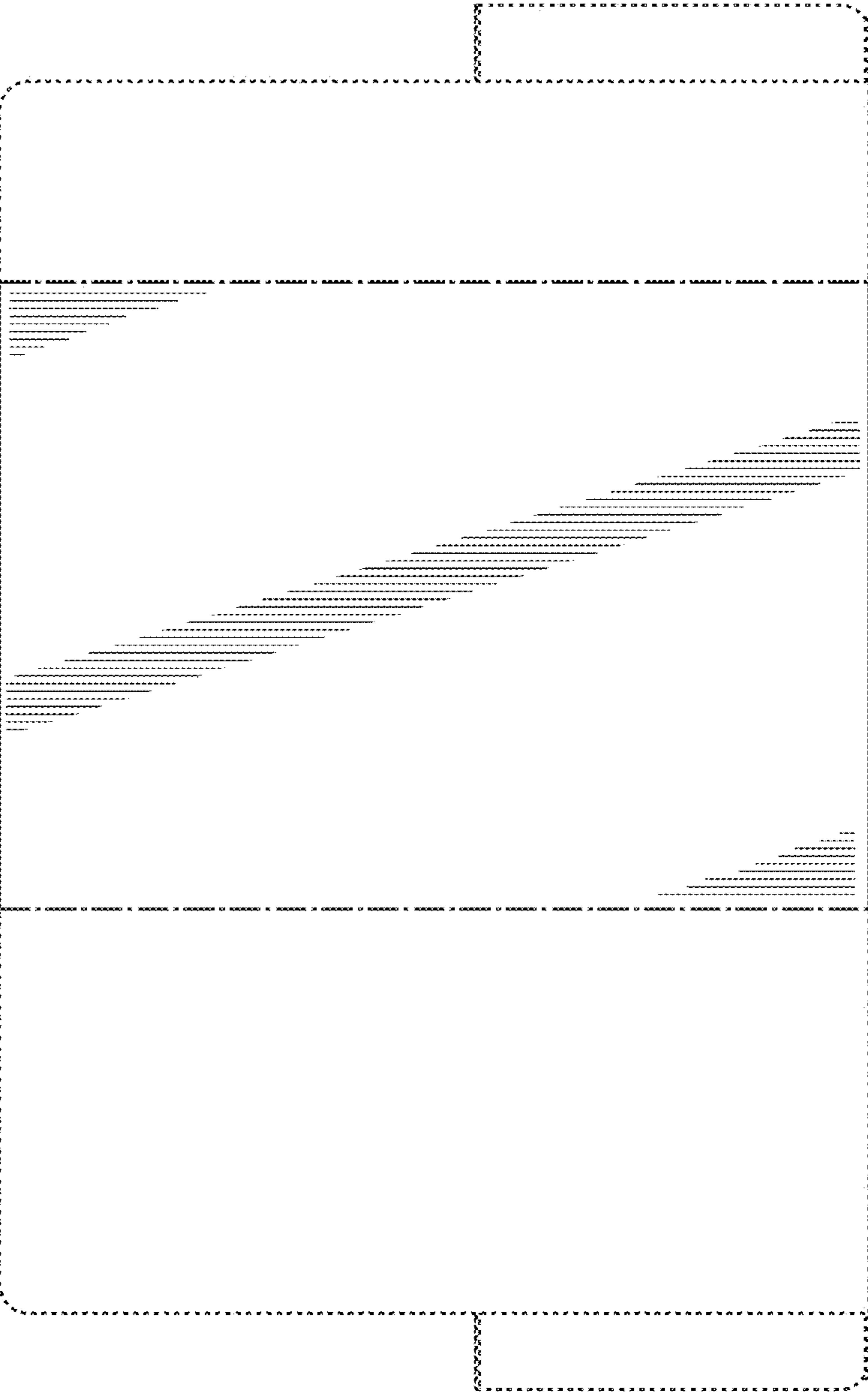


FIG. 12

