



US00D725468S

(12) **United States Design Patent**  
**Miller**

(10) **Patent No.:** **US D725,468 S**

(45) **Date of Patent:** **\*\* Mar. 31, 2015**

(54) **BOTTLE TETHER**

(71) Applicant: **AKACAS IP Holdings, LLC**, Dallas, TX (US)

(72) Inventor: **Alexander K. Miller**, Dallas, TX (US)

(73) Assignee: **AKACAS IP Holdings, LLC**, Dallas, TX (US)

(\*\*) Term: **14 Years**

(21) Appl. No.: **29/465,960**

(22) Filed: **Sep. 3, 2013**

(51) **LOC (10) Cl.** ..... **09-07**

(52) **U.S. Cl.**  
USPC ..... **D9/434; D9/499**

(58) **Field of Classification Search**  
CPC ..... A61J 9/06  
USPC ..... D7/300-302, 305, 318, 393, 397, 608,  
D7/669; D9/434-436, 440-443, 446, 447,  
D9/449, 454, 499; D24/199; 40/633, 666;  
215/200; 220/203.04, 203.05, 203.07,  
220/203.11, 703; 248/102, 104  
See application file for complete search history.

(56) **References Cited**

**U.S. PATENT DOCUMENTS**

2,364,081	A	12/1944	Lambert	
4,061,256	A	12/1977	Beer et al.	
D260,289	S *	8/1981	Rubin	D24/199
D309,237	S *	7/1990	Kobayashi et al.	D7/608
D325,494	S *	4/1992	Gentry	D7/608
5,265,834	A *	11/1993	Daniels	248/104
6,216,319	B1	4/2001	Elkins	
D496,588	S *	9/2004	Matsuo	D9/434
D597,788	S *	8/2009	Ellis	D7/396.2
D622,142	S *	8/2010	de France	D9/441

D625,425	S *	10/2010	Williams et al.	D24/199
D626,654	S *	11/2010	Carter	D24/199
D656,012	S *	3/2012	Leu et al.	D9/434
D674,693	S *	1/2013	Moorhouse	D9/434
D701,966	S *	4/2014	Owada	D24/199
D703,040	S *	4/2014	White	D9/434
D704,433	S *	5/2014	Heap	D3/213
2004/0195254	A1	10/2004	Bunkers	
2008/0054002	A1	3/2008	Moran	

**OTHER PUBLICATIONS**

Ronin Gear Wrist CO2 Holder—RoninGear.com; retrieved from www.roningear.com/product.asp?s=Ronin&pf\_id=UX0015A &dept\_id=3505 on Sep. 14, 2012.

\* cited by examiner

*Primary Examiner* — Robert M Spear  
*Assistant Examiner* — Darcey E Heflin

(57) **CLAIM**

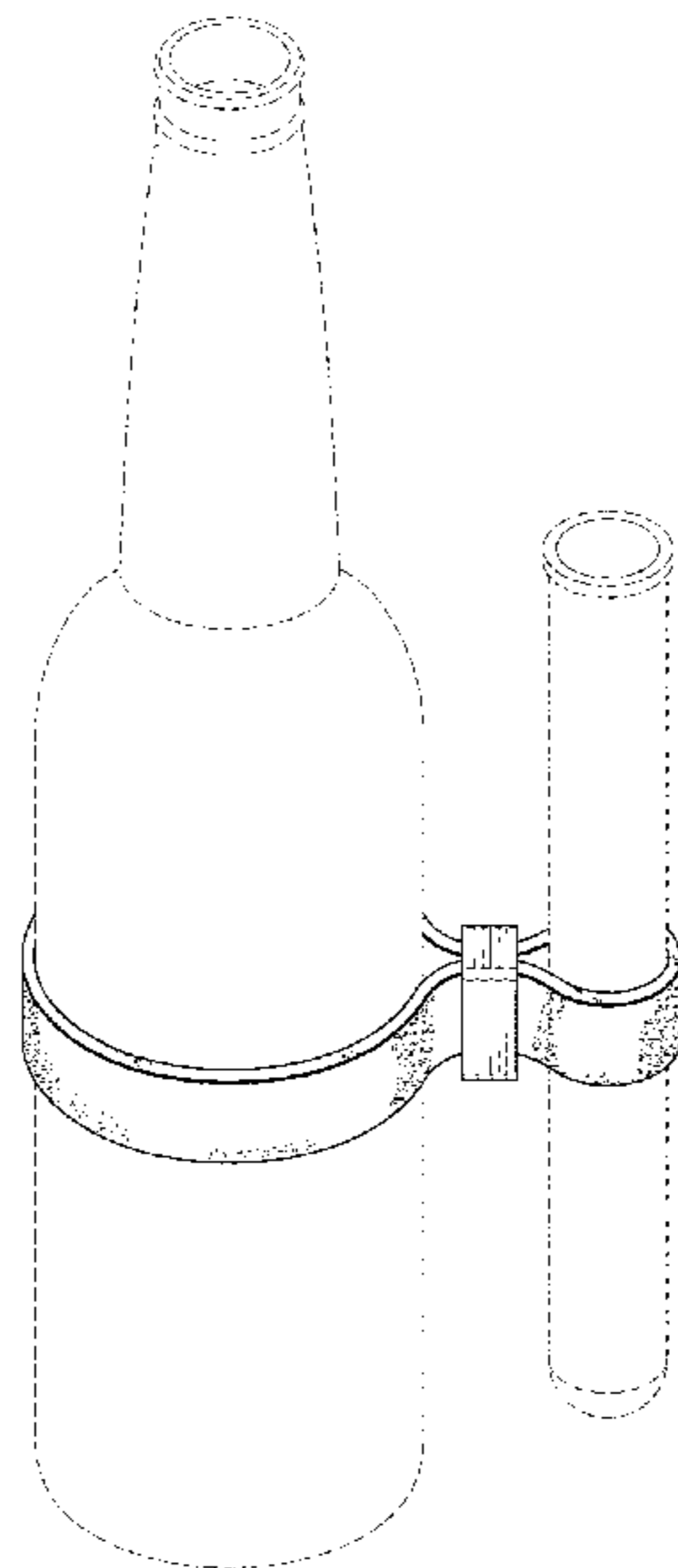
The ornamental design for a “bottle tether,” as shown and described.

**DESCRIPTION**

FIG. 1 is a isometric perspective view of the bottle tether; FIG. 2 is a front view of the bottle tether; FIG. 3 is a back view of the bottle tether; FIG. 4 is a left view of the bottle tether; FIG. 5 is a right view of the bottle tether; FIG. 6 is a top view of the bottle tether; FIG. 7 is a bottom view of the bottle tether; and, FIG. 8 is an environmental perspective view including the bottle tether.

The broken lines shown in the drawings represent portions of the bottle tether or environment that form no part of the claimed design.

**1 Claim, 4 Drawing Sheets**



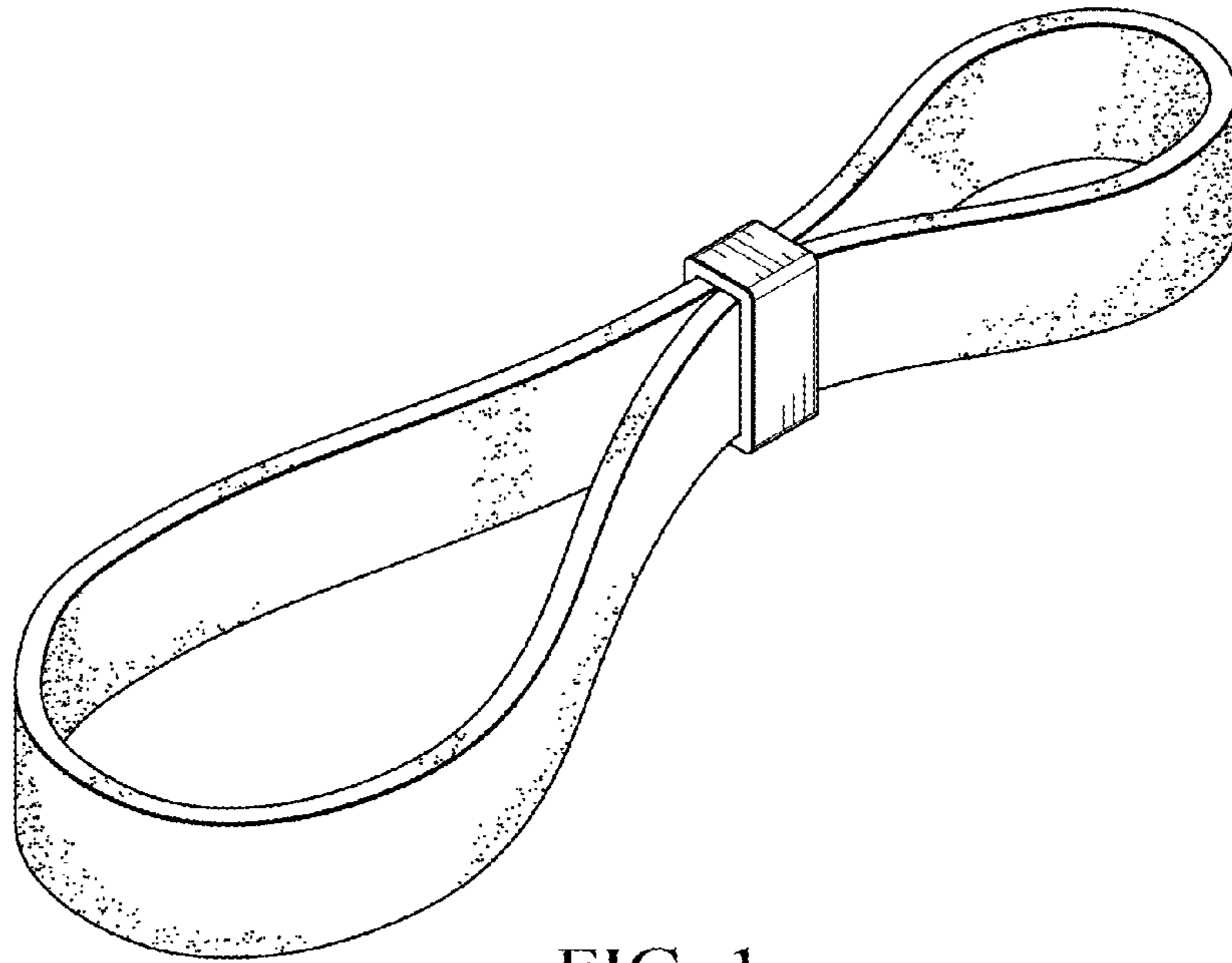


FIG. 1

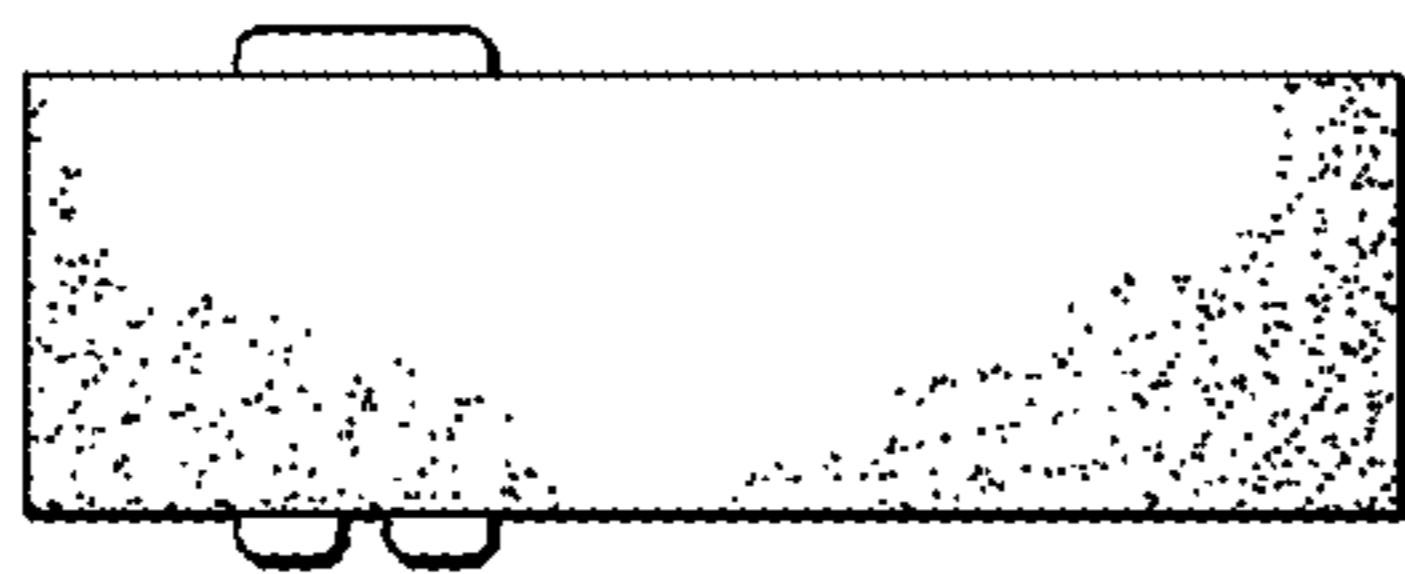


FIG. 2

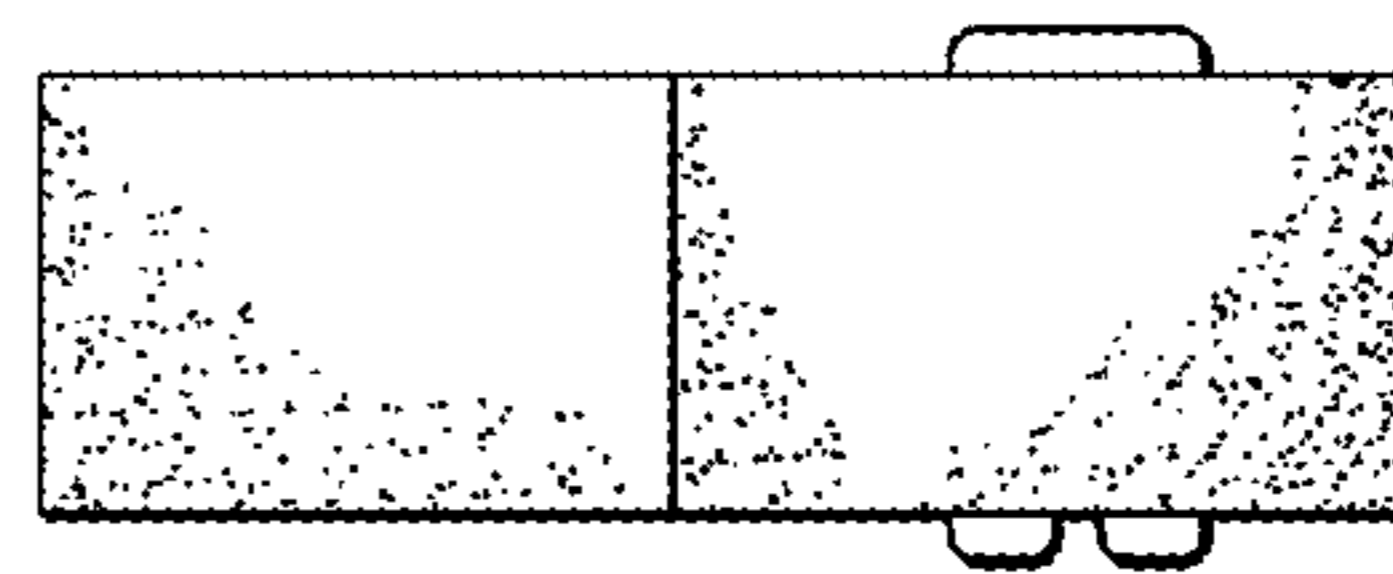


FIG. 3

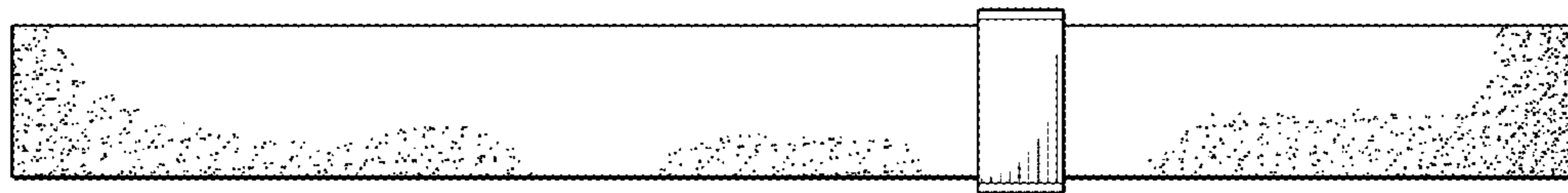


FIG. 4

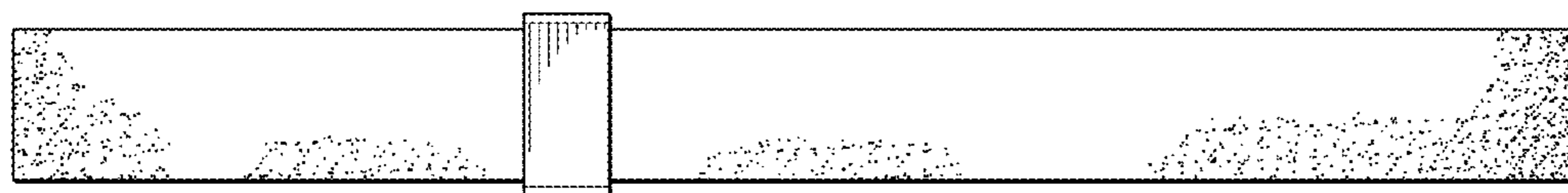


FIG. 5

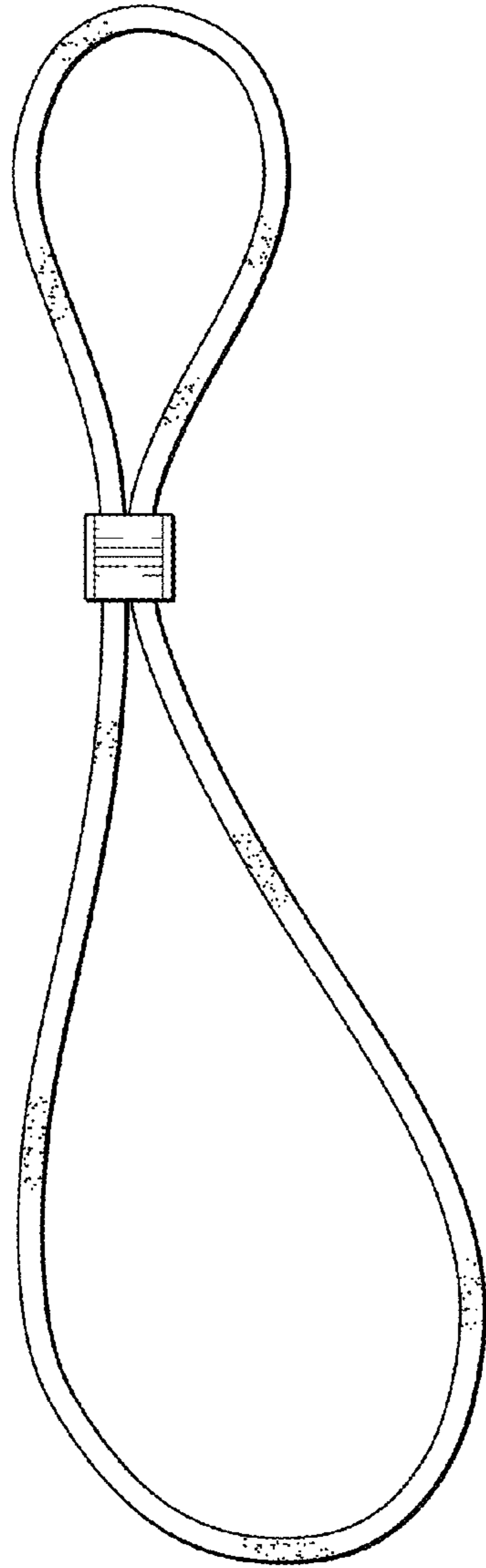


FIG. 6

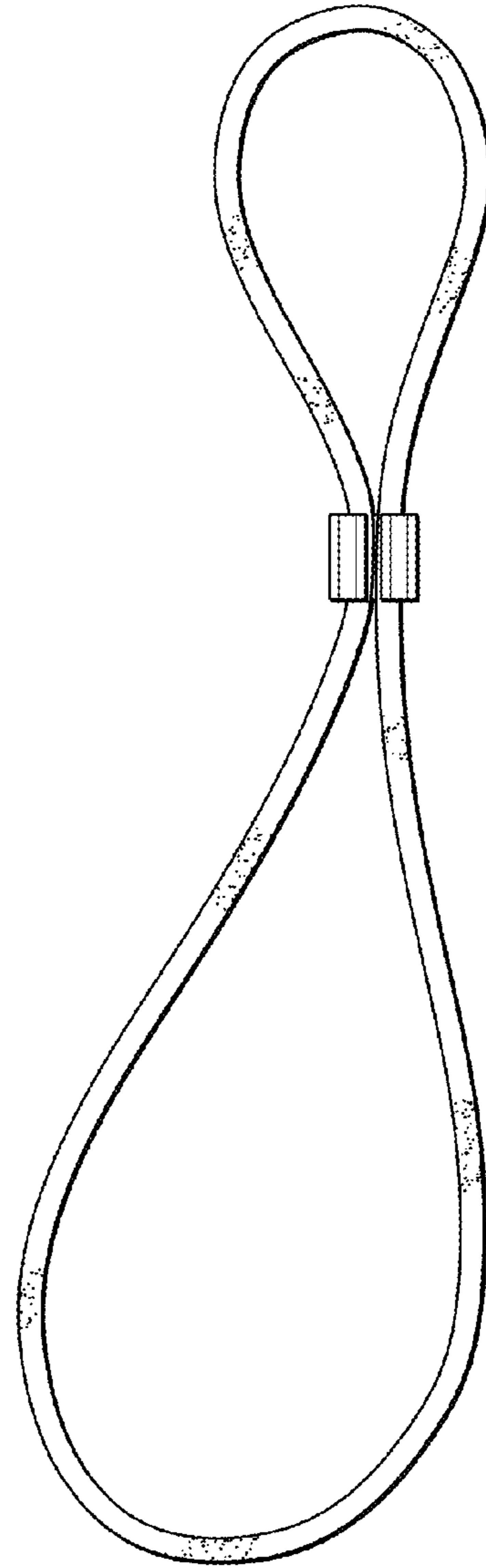


FIG. 7

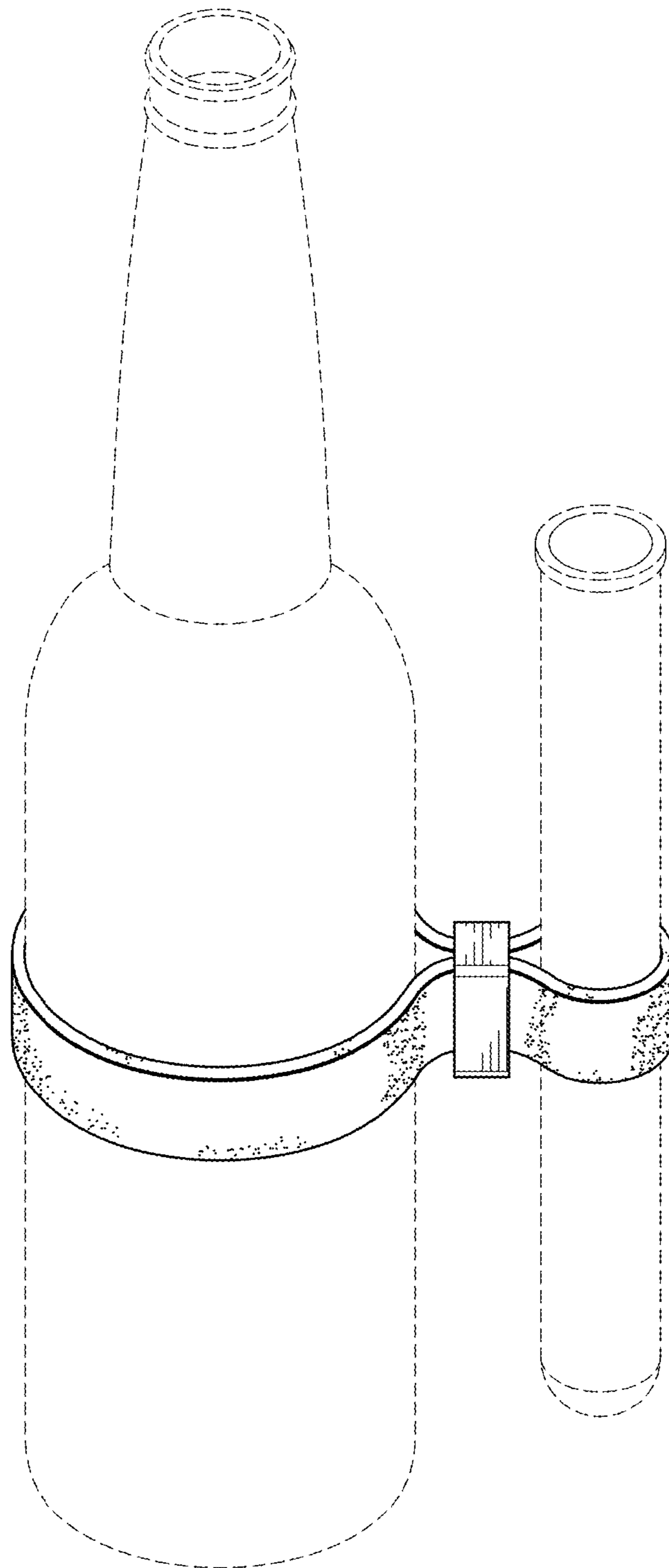


FIG. 8