



US00D725467S

(12) **United States Design Patent**  
**Sanfilippo et al.**

(10) **Patent No.:** **US D725,467 S**

(45) **Date of Patent:** **\*\* Mar. 31, 2015**

(54) **PACKAGE**

(71) Applicants: **James J. Sanfilippo**, Barrington Hills, IL (US); **John E. Sanfilippo**, Barrington Hills, IL (US); **Francisco Javier Soria**, West Chicago, IL (US); **Jeanne M. Skaggs**, Arlington Heights, IL (US); **Roy Speer**, Barrington Hills, IL (US); **Milorad Radenovic**, Chicago, IL (US)

(72) Inventors: **James J. Sanfilippo**, Barrington Hills, IL (US); **John E. Sanfilippo**, Barrington Hills, IL (US); **Francisco Javier Soria**, West Chicago, IL (US); **Jeanne M. Skaggs**, Arlington Heights, IL (US); **Roy Speer**, Barrington Hills, IL (US); **Milorad Radenovic**, Chicago, IL (US)

(73) Assignee: **Clear Lam Packaging, Inc.**, Elk Grove Village, IL (US)

(\*\*) Term: **14 Years**

(21) Appl. No.: **29/462,098**

(22) Filed: **Jul. 30, 2013**

(51) **LOC (10) Cl.** ..... **09-07**

(52) **U.S. Cl.**  
USPC ..... **D9/434**

(58) **Field of Classification Search**  
CPC .. B65D 1/22; B65D 1/42; B65D 2543/00037; B65D 2543/00212; B65D 5/542; B65D 5/0227  
USPC ..... D9/414-427, 428-434; D28/64.1, 64.4, D28/66.6; D16/217-219; D14/138 AA  
See application file for complete search history.

(56) **References Cited**

U.S. PATENT DOCUMENTS

2,017,176 A	10/1935	Andrews
2,041,227 A	5/1936	Chalmers
2,048,122 A	7/1936	Howard
2,092,858 A	9/1937	Richard
2,180,841 A	11/1939	Vogt
2,328,579 A	9/1943	Pelosi

2,352,766 A	7/1944	Bogue
2,385,898 A	10/1945	Waters
2,416,332 A	2/1947	Lehman
2,508,962 A	5/1950	Moore
2,524,766 A	10/1950	Carroll
2,619,226 A	11/1952	Adams
2,750,093 A	6/1956	Moore
2,758,775 A	8/1956	Moore
2,936,940 A	5/1960	Berghgracht
2,970,735 A	2/1961	Jacke
3,006,257 A	10/1961	Orsini
3,127,082 A	3/1964	Meyer-Jagenberg
3,228,584 A	1/1966	Ashton
3,259,303 A	7/1966	Repko
3,314,591 A	4/1967	Cheeley

(Continued)

FOREIGN PATENT DOCUMENTS

EP	1106508 A1	6/2001
EP	1508531 A1	2/2005

(Continued)

*Primary Examiner* — Susan Bennett Hattan

*Assistant Examiner* — Brett Miller

(74) *Attorney, Agent, or Firm* — Marshall, Gerstein & Borun LLP

(57) **CLAIM**

The ornamental design for a package, as shown and described.

**DESCRIPTION**

FIG. 1 is a front, right-side, and top isometric view of a package that has the design.

FIG. 2 is a top plan view of the package. The bottom does not include any part of the design.

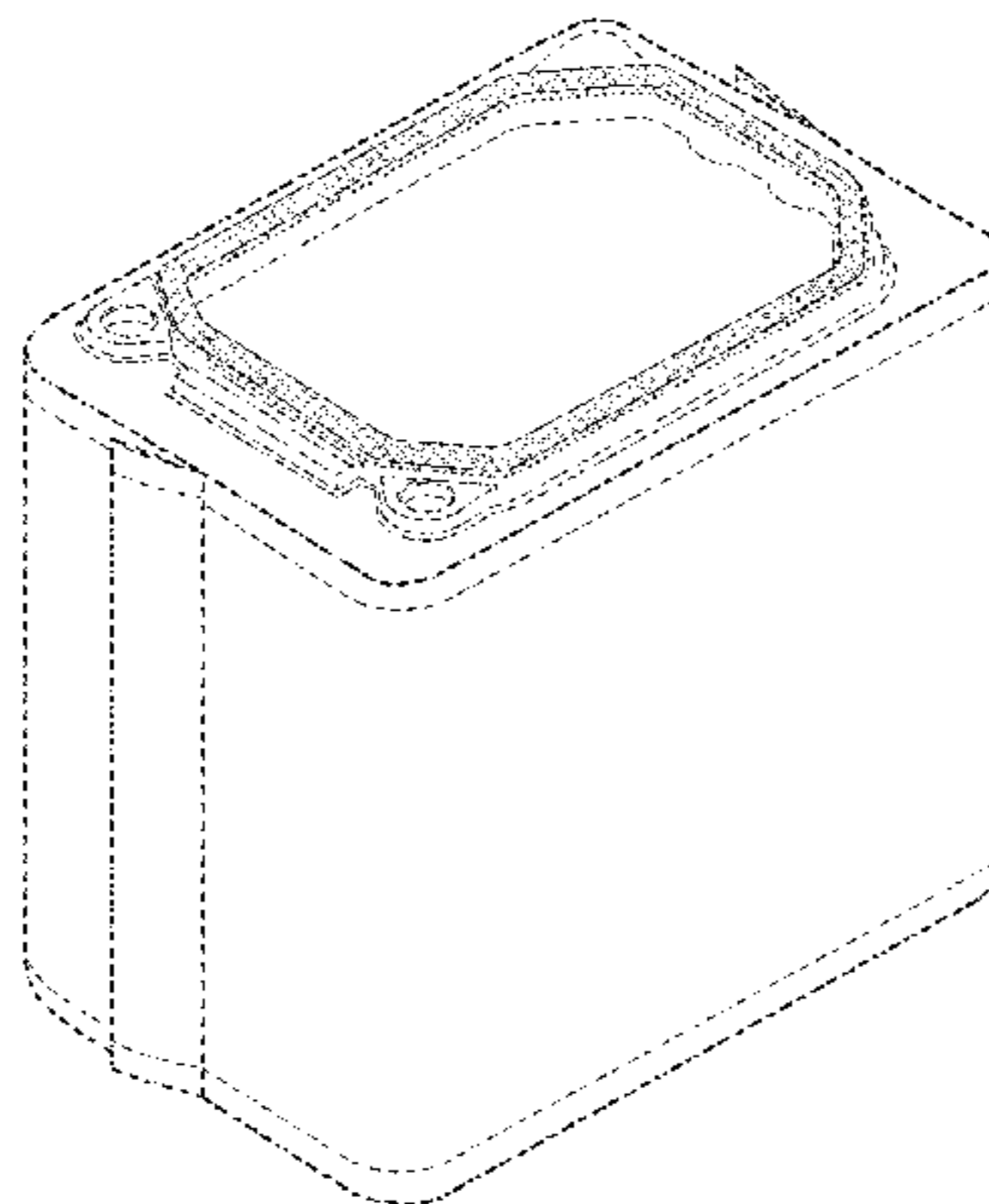
FIG. 3 is a right-side elevation view of the package, the left-side elevation view being a mirror image of this view.

FIG. 4 is a front elevation view of the package; and,

FIG. 5 is a rear elevation view of the package.

The dotted lines show the boundaries of the claimed design and the dashed lines show other elements of the package that form no part of the claimed design.

**1 Claim, 3 Drawing Sheets**



(56)

## References Cited

## U.S. PATENT DOCUMENTS

3,349,959	A	10/1967	Watkins		5,862,652	A	1/1999	Schoeler	
3,373,917	A	* 3/1968	Cox .....	229/117.27	D409,484	S	5/1999	Tasker	
3,380,646	A	4/1968	Doyen et al.		D412,439	S	8/1999	Cormack	
3,426,499	A	2/1969	Paige		6,005,234	A	12/1999	Moseley et al.	
3,434,652	A	3/1969	Shore		6,021,624	A	2/2000	Richison et al.	
3,437,258	A	4/1969	Kugler		6,026,953	A	2/2000	Nakamura et al.	
3,462,067	A	8/1969	Shore		D421,901	S	3/2000	Hill	
3,505,779	A	4/1970	Kopp		D421,902	S	3/2000	Hill	
3,562,392	A	2/1971	Mylius		6,036,365	A	3/2000	Imer	
3,604,491	A	9/1971	Spiess		D427,056	S	6/2000	Trace et al.	
3,738,567	A	6/1973	Ruda		6,113,271	A	9/2000	Scott et al.	
3,739,977	A	6/1973	Shapiro et al.		6,120,183	A	9/2000	Buchanan et al.	
3,785,112	A	1/1974	Leasure et al.		D431,464	S	10/2000	Collins et al.	
3,935,993	A	2/1976	Doyen et al.		6,137,098	A	10/2000	Moseley et al.	
3,940,054	A	2/1976	Goebel et al.		6,149,304	A	11/2000	Hamilton et al.	
3,968,921	A	7/1976	Jewell		D437,686	S	2/2001	Balzar et al.	
3,980,225	A	9/1976	Kan		6,182,887	B1	2/2001	Ljunstrom et al.	
4,041,851	A	8/1977	Jentsch		6,229,061	B1	5/2001	Dragoo et al.	
4,101,051	A	7/1978	Reil		6,231,237	B1	5/2001	Geller	
4,129,976	A	12/1978	Grundler et al.		6,261,215	B1	7/2001	Imer	
4,197,949	A	4/1980	Carlsson		D446,014	S	8/2001	Adkins	
4,308,679	A	1/1982	Ray, III et al.		6,273,610	B1	8/2001	Koyama et al.	
D265,777	S	8/1982	Elzea et al.		6,274,181	B1	8/2001	Richison et al.	
4,345,393	A	8/1982	Price et al.		D450,960	S	11/2001	Boyea et al.	
D266,049	S	9/1982	Conti		D452,374	S	12/2001	Kim	
4,353,497	A	10/1982	Bustin		6,325,239	B2	12/2001	Randall et al.	
4,512,476	A	4/1985	Herrington, Jr.		6,423,356	B2	7/2002	Richison et al.	
4,531,668	A	* 7/1985	Forbes, Jr. ....	229/123.2	D461,403	S	8/2002	Chomik et al.	
4,576,309	A	* 3/1986	Tzifkansky et al. ....	220/360	D463,276	S	9/2002	Piscopo et al.	
D285,777	S	9/1986	Forbes, Jr.		6,446,796	B1	9/2002	Schmidt	
D286,745	S	* 11/1986	Forbes, Jr. ....	D9/416	D464,884	S	10/2002	Sumpmann et al.	
4,746,019	A	5/1988	Prater		D464,894	S	10/2002	Mittersinker et al.	
4,790,436	A	12/1988	Nakamura		6,481,183	B1	11/2002	Schmidt	
4,837,849	A	6/1989	Erickson et al.		D466,807	S	12/2002	Buck et al.	
4,848,575	A	7/1989	Nakamura et al.		6,510,673	B1	1/2003	Visona' et al.	
4,851,246	A	7/1989	Maxwell et al.		6,513,308	B1	2/2003	Meeuwesen et al.	
D304,016	S	* 10/1989	Forbes, Jr. ....	D9/425	D471,804	S	3/2003	Staples	
D315,099	S	* 3/1991	Alizard .....	D9/424	D473,461	S	4/2003	Joubert	
5,036,997	A	8/1991	May et al.		6,615,567	B2	9/2003	Kuhn et al.	
5,044,777	A	9/1991	Watkins et al.		6,659,645	B1	12/2003	Schulz	
5,059,036	A	10/1991	Richison et al.		D485,461	S	1/2004	Sams et al.	
5,065,887	A	11/1991	Schuh et al.		6,679,034	B2	1/2004	Kohl et al.	
5,158,371	A	10/1992	Moravek		6,695,757	B2	2/2004	Edwards et al.	
D332,399	S	* 1/1993	Neff .....	D9/423	D487,192	S	3/2004	Farnham et al.	
5,195,829	A	3/1993	Watkins et al.		D489,530	S	5/2004	Lindsay	
5,205,651	A	4/1993	Decottignies et al.		6,729,112	B2	5/2004	Kuss et al.	
5,254,073	A	10/1993	Richison et al.		6,736,309	B1	5/2004	Westerman et al.	
D351,090	S	10/1994	Narsutis		6,746,388	B2	6/2004	Edwards et al.	
5,353,946	A	10/1994	Behrend		6,761,279	B1	7/2004	Martin et al.	
5,356,069	A	10/1994	Bochet et al.		6,783,277	B2	8/2004	Edwards et al.	
5,366,104	A	11/1994	Armstrong		6,817,160	B2	11/2004	Schmidt	
D354,436	S	1/1995	Krupa		D501,134	S	1/2005	Takahashi et al.	
D364,563	S	11/1995	Miller et al.		6,845,602	B2	1/2005	Drut	
5,498,080	A	3/1996	Dalea et al.		D502,095	S	2/2005	Tucker et al.	
5,505,305	A	4/1996	Scholz et al.		D503,336	S	3/2005	Tucker et al.	
5,542,902	A	8/1996	Richison et al.		D504,622	S	5/2005	Takahashi et al.	
D374,774	S	10/1996	Cassel		6,918,532	B2	7/2005	Sierra-Gomez et al.	
5,611,452	A	3/1997	Bonora et al.		6,953,069	B2	10/2005	Galomb	
5,613,608	A	3/1997	Tronchetti et al.		D513,870	S	1/2006	Rosine et al.	
5,655,706	A	8/1997	Vandiver		D514,439	S	* 2/2006	Snedden et al. ....	D9/425
D386,001	S	11/1997	Saffran		D528,010	S	9/2006	Yashima et al.	
5,704,480	A	1/1998	Scholz et al.		D531,894	S	11/2006	Ramirez et al.	
D394,606	S	5/1998	Zorn et al.		7,153,026	B2	12/2006	Galomb	
5,770,839	A	6/1998	Ruebush et al.		7,156,556	B2	1/2007	Takahashi et al.	
5,772,332	A	6/1998	Geller		D536,608	S	2/2007	Arkins	
D395,952	S	7/1998	Buczynski et al.		7,213,710	B2	5/2007	Cotert	
5,785,179	A	7/1998	Buczynski et al.		D544,762	S	6/2007	Zimmerman	
5,788,121	A	8/1998	Sasaki et al.		D545,186	S	6/2007	Liebe et al.	
5,788,378	A	8/1998	Thomas		D548,080	S	8/2007	Brown et al.	
5,791,465	A	8/1998	Niki et al.		D551,508	S	* 9/2007	Friedland et al. ....	D7/545
D398,526	S	* 9/1998	Schwarz et al. ....	D9/431	D552,468	S	10/2007	Seum et al.	
D398,844	S	9/1998	Oberloier		7,299,608	B2	11/2007	Kohl et al.	
5,799,863	A	9/1998	Capy et al.		D571,146	S	6/2008	Sanfilippo et al.	
5,826,401	A	10/1998	Bois		D571,197	S	6/2008	Sanfilippo et al.	
5,842,790	A	12/1998	Imer		D591,555	S	5/2009	Sanfilippo et al.	
					D593,369	S	* 6/2009	Green et al. ....	D7/602
					D608,193	S	1/2010	Sanfilippo et al.	
					7,665,629	B2	2/2010	Julius et al.	
					7,665,895	B2	2/2010	Takita et al.	

(56)

References Cited

U.S. PATENT DOCUMENTS

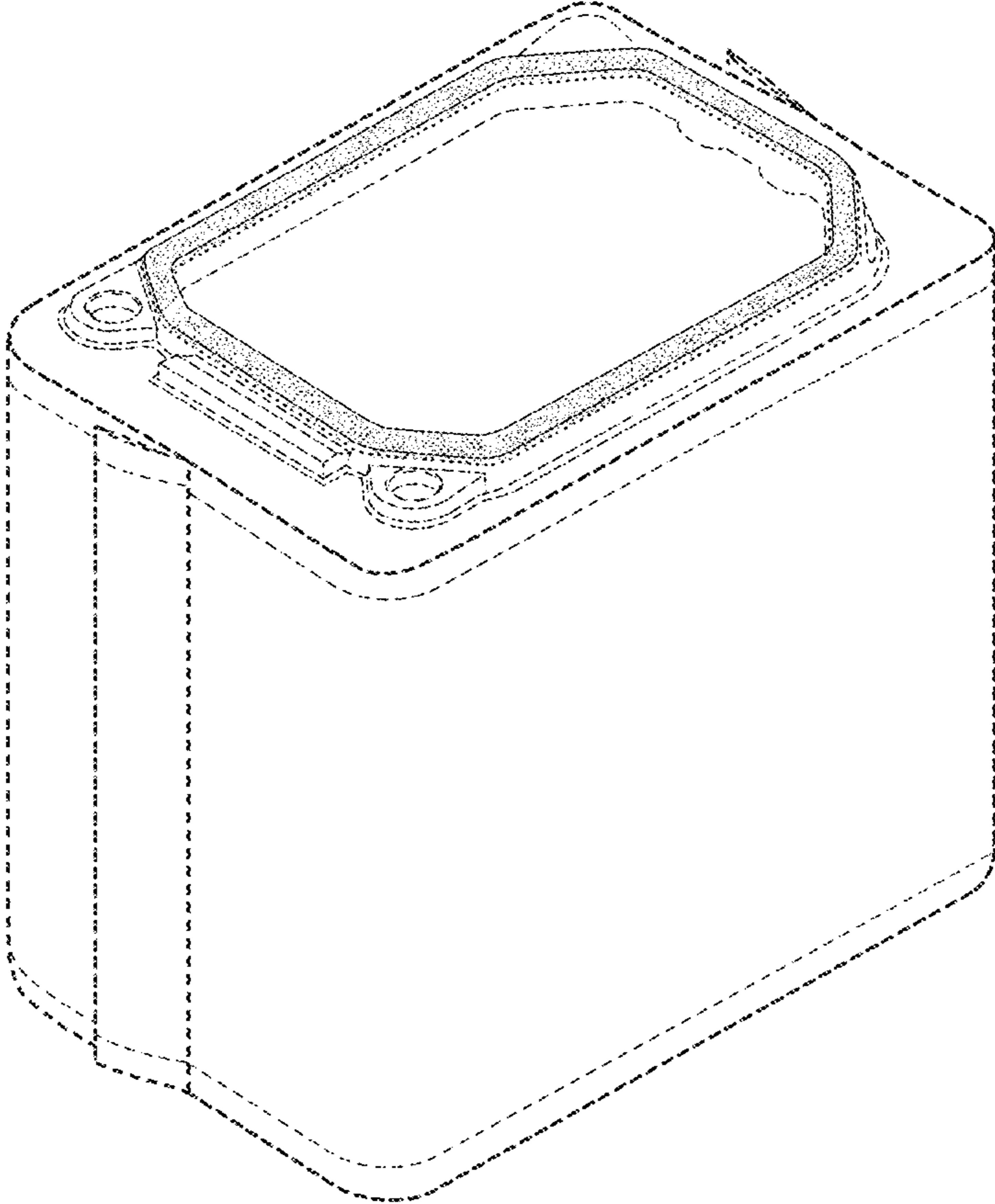
7,780,006 B2 8/2010 Clark, Jr. et al.  
 D637,577 S 5/2011 Han et al.  
 7,993,256 B2 8/2011 Takita et al.  
 8,006,833 B2 8/2011 Clark, Jr. et al.  
 8,038,349 B2 10/2011 Andersson et al.  
 D648,302 S 11/2011 Park et al.  
 8,066,137 B2 11/2011 Sanfilippo et al.  
 8,132,395 B2 3/2012 Gehring et al.  
 8,231,024 B2 7/2012 Sanfilippo et al.  
 8,276,353 B2 10/2012 Reaves et al.  
 8,308,363 B2 11/2012 Vogt et al.  
 D676,014 S 2/2013 Chung  
 D682,244 S 5/2013 Park et al.  
 D686,181 S 7/2013 Jeong  
 D689,767 S 9/2013 Clark et al.  
 8,602,242 B2 12/2013 Sanfilippo et al.  
 8,602,244 B2 12/2013 Sanfilippo et al.  
 2001/0005979 A1 7/2001 Kuss et al.  
 2001/0040107 A1 11/2001 Tourre et al.  
 2002/0094922 A1 7/2002 Edwards et al.  
 2003/0041564 A1 3/2003 Schmidt  
 2003/0059130 A1 3/2003 Yoneyama et al.  
 2003/0100424 A1 5/2003 Barmore et al.  
 2003/0111523 A1 6/2003 Haugan  
 2004/0089578 A1 5/2004 Lin  
 2004/0185156 A1 9/2004 Garwood  
 2004/0188457 A1 9/2004 Galomb  
 2004/0226625 A1 11/2004 Galomb

2004/0232029 A1 11/2004 Cotert  
 2004/0251163 A1 12/2004 Conde et al.  
 2005/0011906 A1 1/2005 Buck et al.  
 2005/0053315 A1 3/2005 Aasen  
 2005/0069230 A1 3/2005 Takahashi et al.  
 2005/0109827 A1 5/2005 Martin  
 2005/0150785 A1 7/2005 Julius et al.  
 2005/0189367 A1 9/2005 Chasid et al.  
 2005/0208188 A1 9/2005 Garwood  
 2005/0276525 A1 12/2005 Hebert et al.  
 2006/0076352 A1 4/2006 Peterson et al.  
 2006/0283750 A1 12/2006 Villars et al.  
 2007/0151887 A1 7/2007 Clark et al.  
 2009/0039078 A1 2/2009 Sanfilippo et al.  
 2009/0120828 A1 5/2009 Sanfilippo et al.  
 2009/0152290 A1 6/2009 Wang et al.  
 2010/0113240 A1 5/2010 Takita et al.  
 2010/0140129 A1 6/2010 Sanfilippo et al.  
 2011/0297690 A1\* 12/2011 Teys et al. .... 220/834  
 2012/0125937 A1\* 5/2012 Ahlstrom et al. .... 220/378

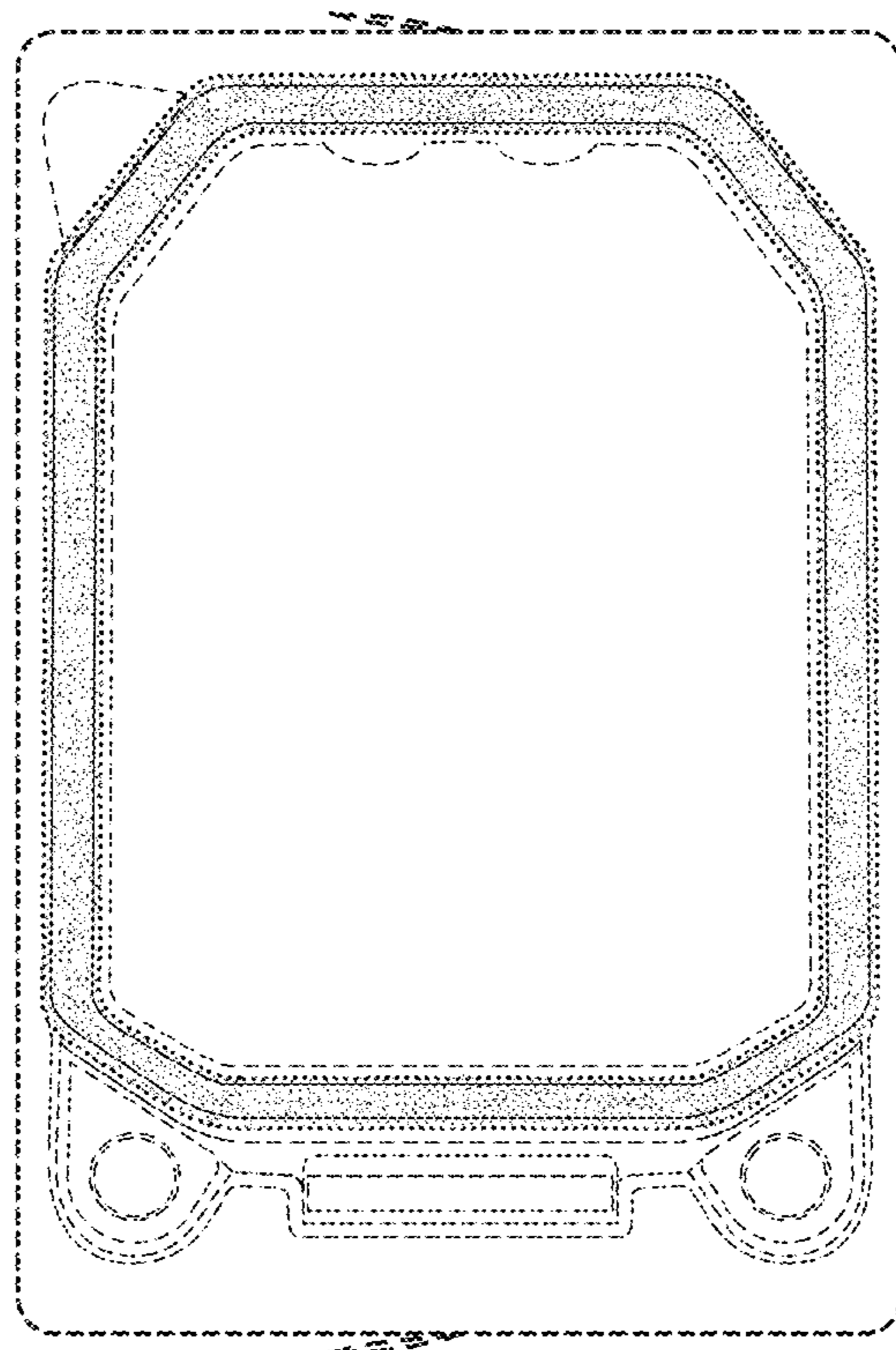
FOREIGN PATENT DOCUMENTS

FR 2766794 A1 2/1999  
 JP 10-203560 8/1998  
 WO WO-86/06344 A1 11/1986  
 WO WO-00/12407 A1 3/2000  
 WO WO-02/085726 A1 10/2002  
 WO WO-2004/110885 A1 12/2004

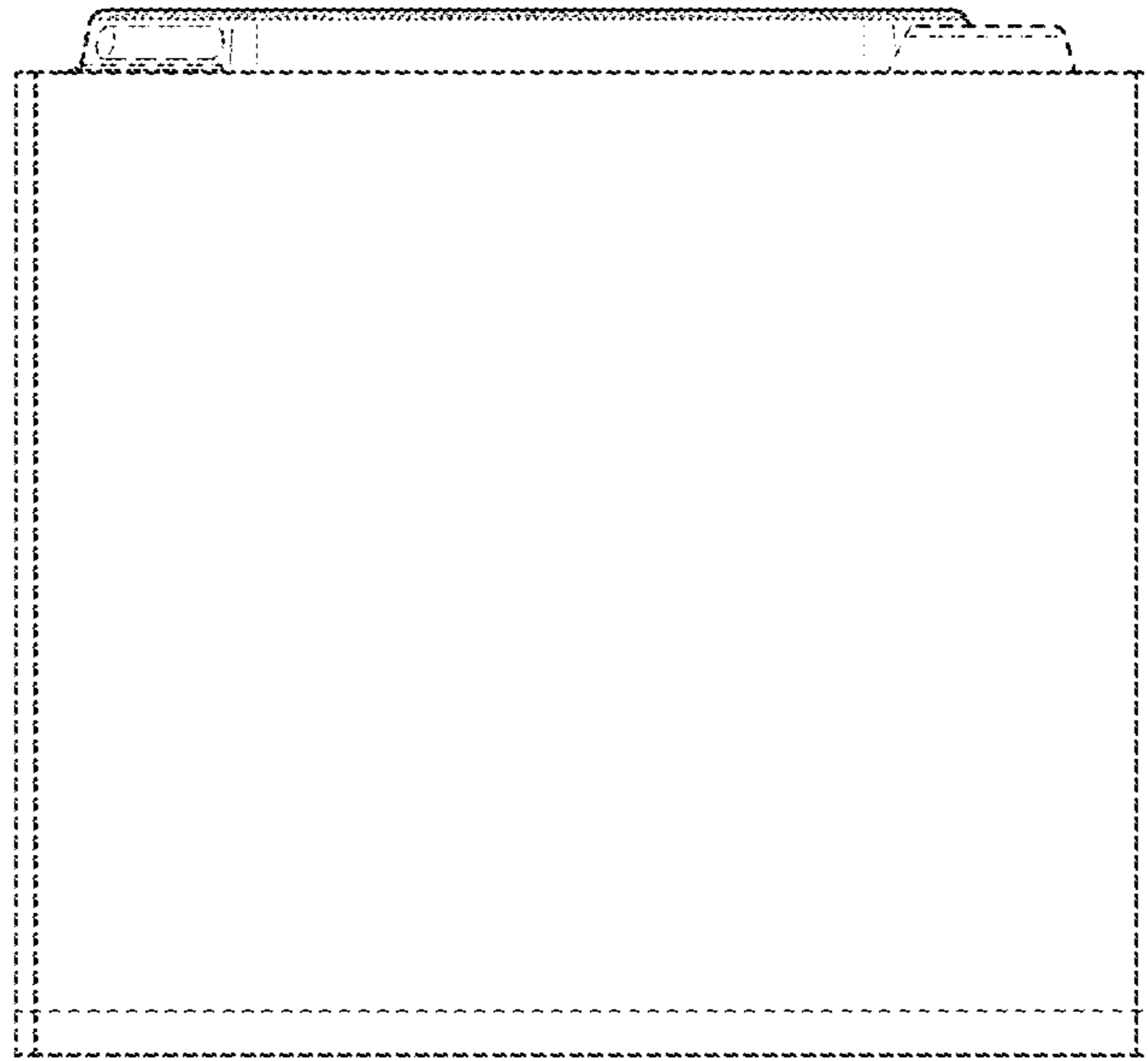
\* cited by examiner



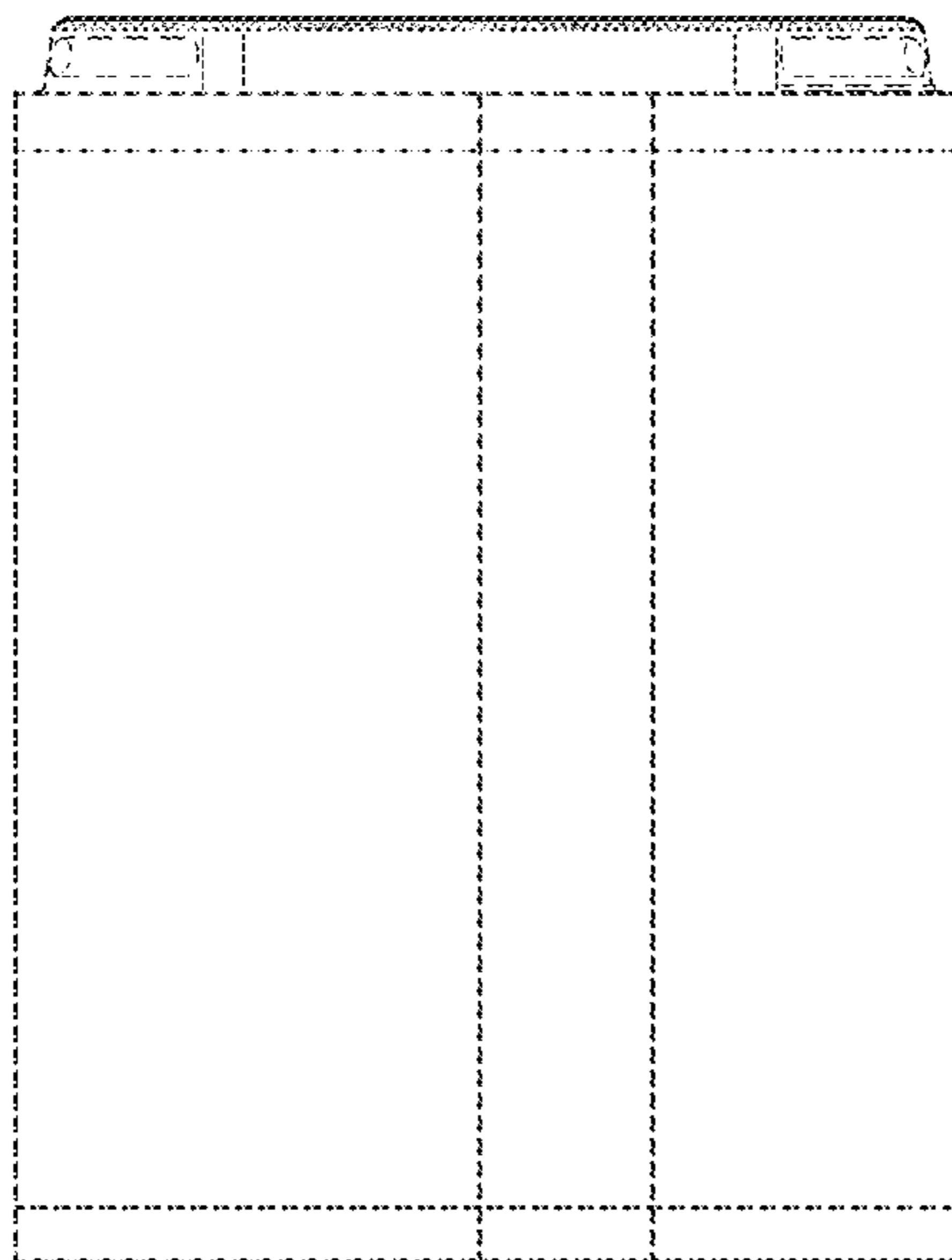
**FIG. 1**



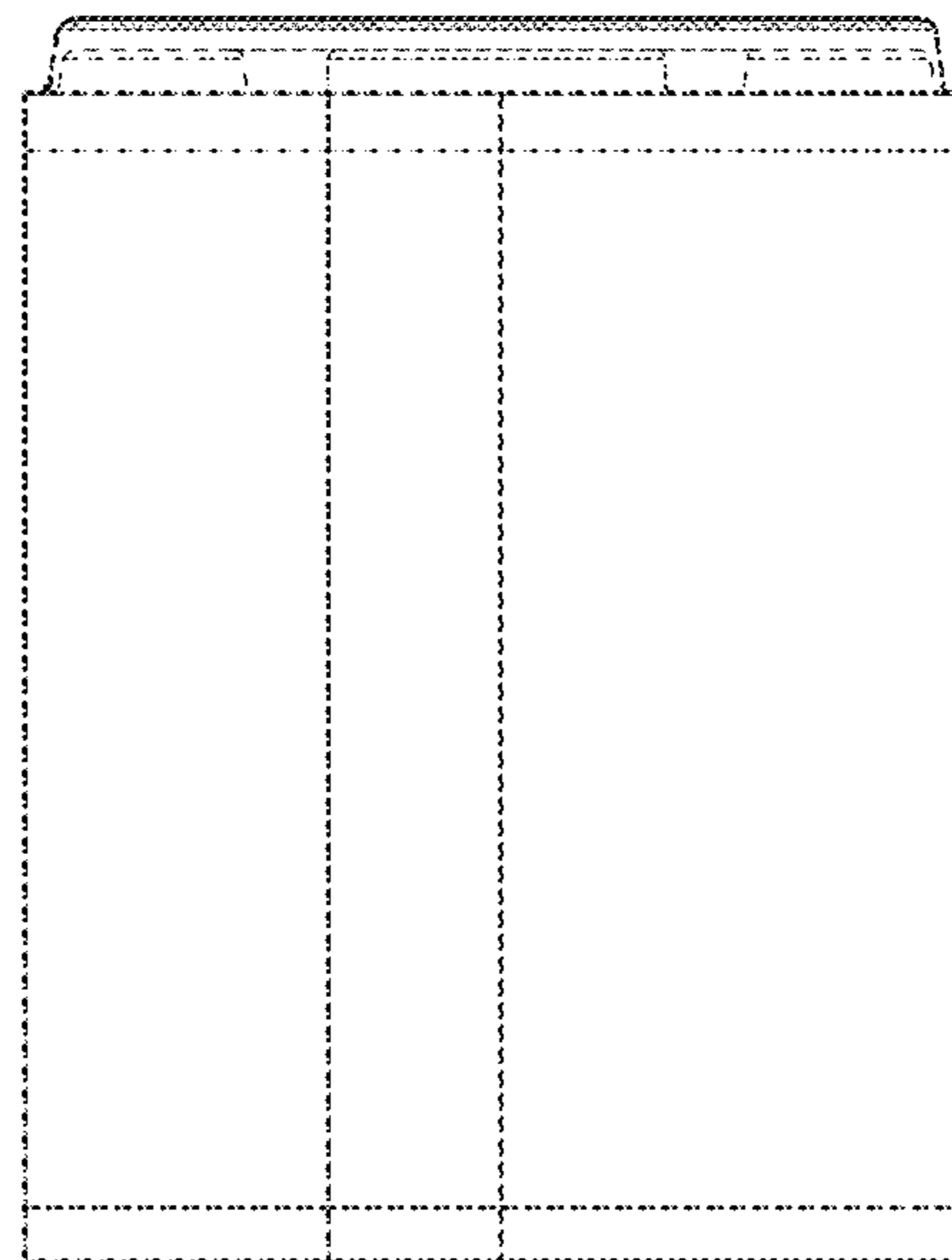
**FIG. 2**



**FIG. 3**



**FIG. 4**



**FIG. 5**