



US00D725465S

(12) **United States Design Patent**
Voelker

(10) **Patent No.:** **US D725,465 S**
(45) **Date of Patent:** **** Mar. 31, 2015**

(54) **CONTAINER PACK**

(71) Applicant: **Monsanto Technology LLC**, St. Louis, MO (US)

(72) Inventor: **Scott C. Voelker**, St. Louis, MO (US)

(73) Assignee: **Monsanto Technology LLC**, St. Louis, MO (US)

(**) Term: **14 Years**

(21) Appl. No.: **29/449,196**

(22) Filed: **Mar. 14, 2013**

Related U.S. Application Data

(63) Continuation-in-part of application No. 29/434,277, filed on Oct. 11, 2012, now Pat. No. Des. 703,529, which is a continuation-in-part of application No. 29/394,810, filed on Jun. 21, 2011, now Pat. No. Des. 668,951, which is a continuation-in-part of application No. 29/356,562, filed on Feb. 26, 2010, now abandoned, and a continuation-in-part of application No. PCT/US2011/026317, filed on Feb. 25, 2011.

(51) **LOC (10) Cl.** **09-03**

(52) **U.S. Cl.**
USPC **D9/430**

(58) **Field of Classification Search**
CPC B65D 5/00; B65D 5/0015; B65D 5/0045; B65D 5/18; B65D 5/40; B65D 5/2033; B65D 1/22; B65D 1/225; B65D 1/24; B65D 1/34; B65D 1/38
USPC D9/414-433, 444-445, 456, 519, 529, D9/560, 715, 718, 748; D7/601, 602, 538, D7/540, 550.1, 552.1, 554.3, 554.4; D3/203.5, 202, 207, 210

See application file for complete search history.

(56) **References Cited**

U.S. PATENT DOCUMENTS

2,780,402 A 2/1957 Heiblim et al.
3,054,549 A 9/1962 Humphrey

(Continued)

FOREIGN PATENT DOCUMENTS

CA 138748 2/2012
CA 143731 2/2013

(Continued)

OTHER PUBLICATIONS

Hedwin, Cubitainer® Combination Package, www.hedwin.com, 6 pages, printed Jun. 7, 2010.

(Continued)

Primary Examiner — Susan Bennett Hattan

Assistant Examiner — Vy Koenig

(74) *Attorney, Agent, or Firm* — Joseph A. Schaper; Harness, Dickey & Pierce, P.L.C.

(57) **CLAIM**

The ornamental design for a container pack, as shown and described.

DESCRIPTION

FIG. 1 is a perspective view of a container pack in accordance with my new design;

FIG. 2 is a front elevation view thereof;

FIG. 3 is a rear elevation view thereof;

FIG. 4 is a left side elevation view thereof;

FIG. 5 is a right side elevation view thereof;

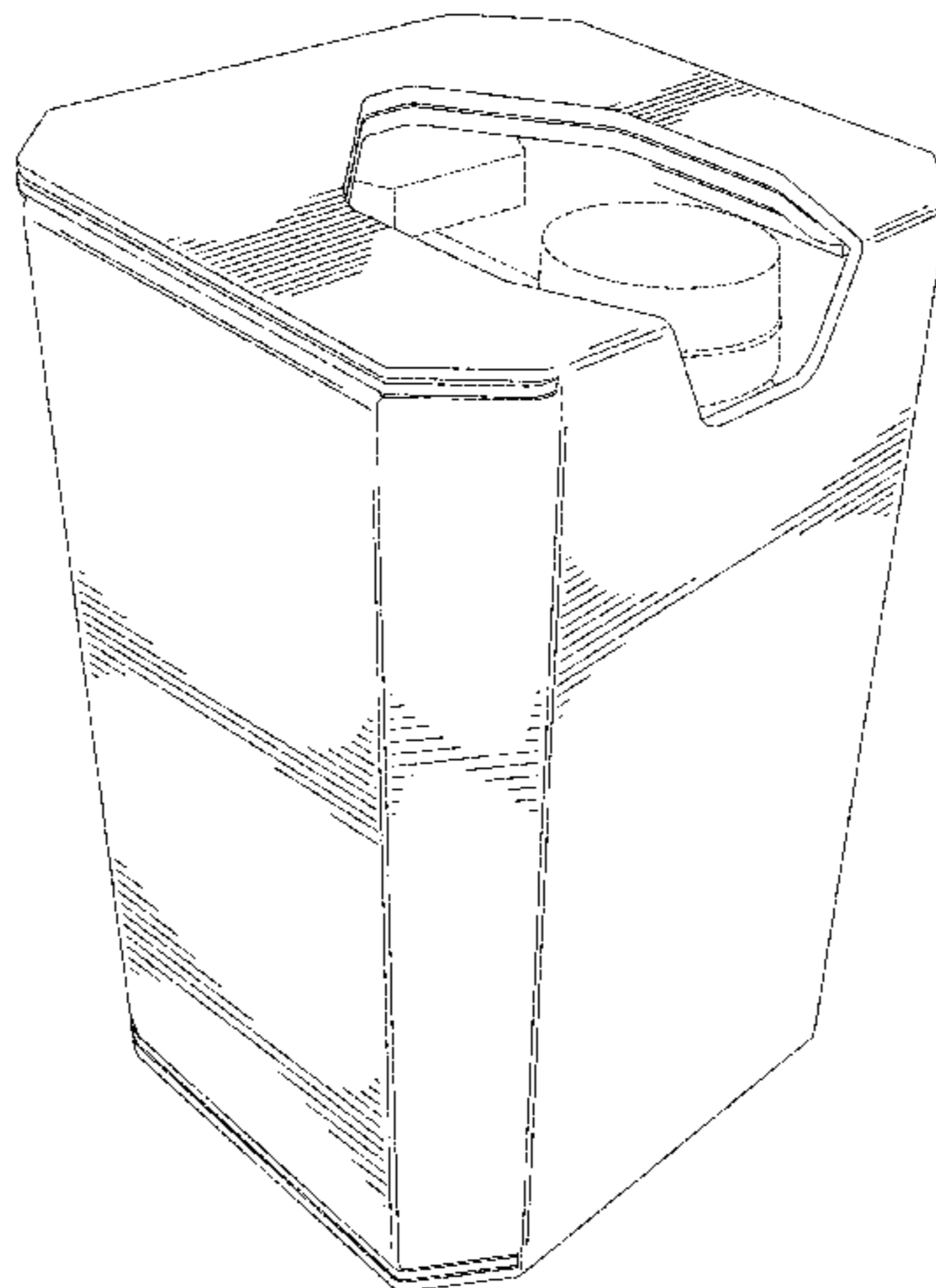
FIG. 6 is a top plan view thereof; and,

FIG. 7 is a bottom plan view thereof.

The details shown in short-dashed broken lines depict portions of the article that form no part of the claimed design.

The rounded shape shown in generally long-dashed broken lines () in FIG. 7 represents a perforation portion and is part of the claimed design.

1 Claim, 7 Drawing Sheets



(56)

References Cited

U.S. PATENT DOCUMENTS

D202,479 S 10/1965 Kelly
 D207,243 S 3/1967 Kelly
 3,400,846 A 9/1968 Kelly
 3,765,574 A 10/1973 Urquiza
 3,931,916 A 1/1976 Blue et al.
 3,957,179 A 5/1976 Bamburg et al.
 D248,831 S 8/1978 Anderson
 D252,257 S 7/1979 Dobbs et al.
 D270,998 S 10/1983 Stark
 4,413,734 A 11/1983 Newcombe, Jr.
 D274,223 S 6/1984 Turnbull
 D279,078 S 6/1985 Franchi et al.
 4,927,042 A 5/1990 Ring
 D319,019 S 8/1991 Shanklin et al.
 5,074,429 A 12/1991 Konkell et al.
 5,114,028 A 5/1992 Ring
 D328,168 S 7/1992 Bartle
 D334,805 S 4/1993 Ivey
 5,348,186 A * 9/1994 Baker 229/117.28
 D353,541 S 12/1994 Rogler et al.
 5,396,985 A 3/1995 Seki
 5,462,169 A 10/1995 Dygert et al.
 5,497,899 A 3/1996 Wuerfel
 D371,967 S 7/1996 Miller
 D378,494 S 3/1997 Miller
 5,711,061 A 1/1998 Blake et al.
 5,715,992 A 2/1998 Andrews et al.
 D395,004 S 6/1998 Shamoon
 5,765,711 A 6/1998 Johnson et al.
 D401,147 S 11/1998 Miller
 D402,201 S 12/1998 Miller
 5,909,841 A 6/1999 Andrews et al.
 D415,033 S 10/1999 Forecast et al.
 6,045,036 A 4/2000 Ring
 6,074,331 A 6/2000 Ruggiere, Sr. et al.
 D428,341 S 7/2000 Boutin
 D434,326 S 11/2000 Smorch
 D434,666 S 12/2000 Celaya
 6,196,452 B1 3/2001 Andrews et al.
 6,290,124 B2 9/2001 Andrews et al.
 6,588,651 B2 7/2003 Quaintance
 6,595,363 B2 7/2003 Peters
 D480,972 S 10/2003 Cheresko
 D489,939 S 5/2004 Allanson
 6,868,982 B2 3/2005 Gordon
 D505,076 S 5/2005 Logan
 D513,991 S 1/2006 Canino
 D521,870 S 5/2006 Miller et al.
 D523,343 S 6/2006 Castner
 7,077,309 B2 7/2006 Andrews, Sr.
 D527,639 S 9/2006 Voss et al.
 D527,647 S 9/2006 Blank

7,137,533 B1 11/2006 Heath
 D538,167 S 3/2007 Jennings et al.
 7,249,674 B2 7/2007 Mu et al.
 D563,234 S 3/2008 Moreno
 D573,885 S 7/2008 Considine et al.
 D575,637 S 8/2008 Adams
 7,520,410 B2 4/2009 Gilbertson et al.
 D595,583 S 7/2009 Lovelace, Jr. et al.
 7,708,186 B2 5/2010 Pawlick
 D617,635 S 6/2010 Gould
 7,726,503 B2 6/2010 Dygert et al.
 D619,891 S * 7/2010 Lymn et al. D9/432
 D621,704 S * 8/2010 Lymn et al. D9/432
 7,798,391 B2 9/2010 Tibbels et al.
 D625,600 S 10/2010 Hill
 D628,884 S 12/2010 Smith
 D631,358 S 1/2011 Voelker
 D640,133 S 6/2011 Jones et al.
 D668,144 S 10/2012 Swart et al.
 D668,951 S 10/2012 Voelker
 D670,170 S 11/2012 Voelker
 D671,404 S 11/2012 Thomason
 D671,405 S 11/2012 Thomason
 D682,679 S 5/2013 Thomason
 8,511,538 B2 8/2013 Ouillette
 D696,131 S 12/2013 Voelker
 D703,529 S * 4/2014 Voelker D9/430
 D715,638 S * 10/2014 Wollschleger D9/418
 2003/0106927 A1 6/2003 Bryant et al.
 2003/0160092 A1 8/2003 Philips et al.
 2004/0084457 A1 5/2004 Bartlett et al.
 2005/0040216 A1 2/2005 Quaintance
 2005/0139645 A1 6/2005 Shean et al.
 2006/0180643 A1 8/2006 Stephenson
 2007/0075123 A1 4/2007 Keefe, Jr.
 2007/0228119 A1 10/2007 Barner
 2008/0073317 A1 3/2008 Dygert et al.
 2009/0084706 A1 4/2009 Keefe, Jr.
 2009/0104324 A1 4/2009 Bradley
 2010/0001052 A1 1/2010 Gardner
 2012/0312813 A1 12/2012 Voelker

FOREIGN PATENT DOCUMENTS

WO WO 2004/011336 A2 2/2004
 WO WO 2005/047169 A2 5/2005
 WO WO 2011/106698 A1 9/2011

OTHER PUBLICATIONS

OctaMax, OctaMax Plus & OctaMax Ultra, High-Strength Octagonal Containers and Display Trays "A family of choices", Power Point Presentation, 16 pages received Sep. 30, 2008.

* cited by examiner

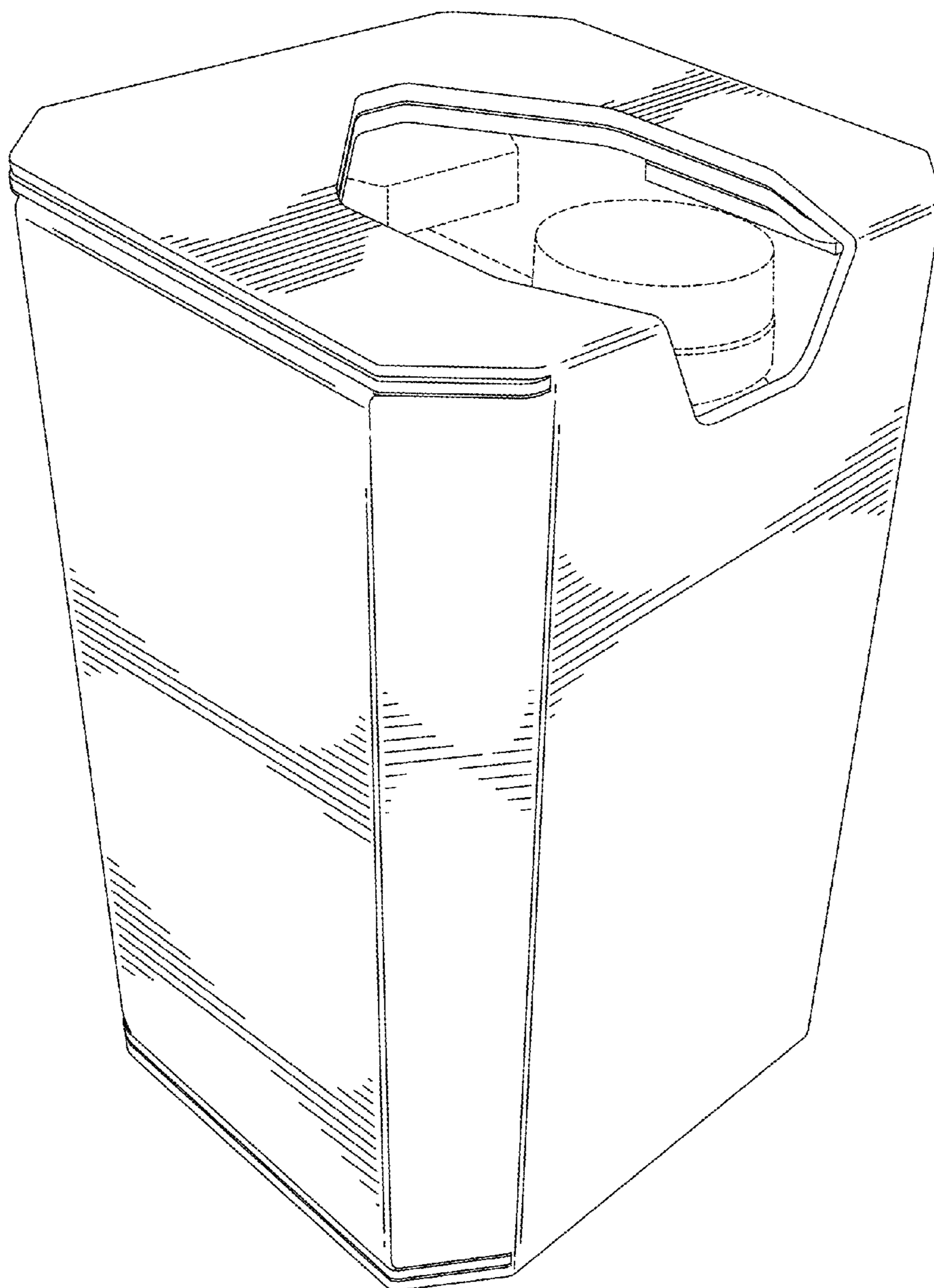


FIG. 1

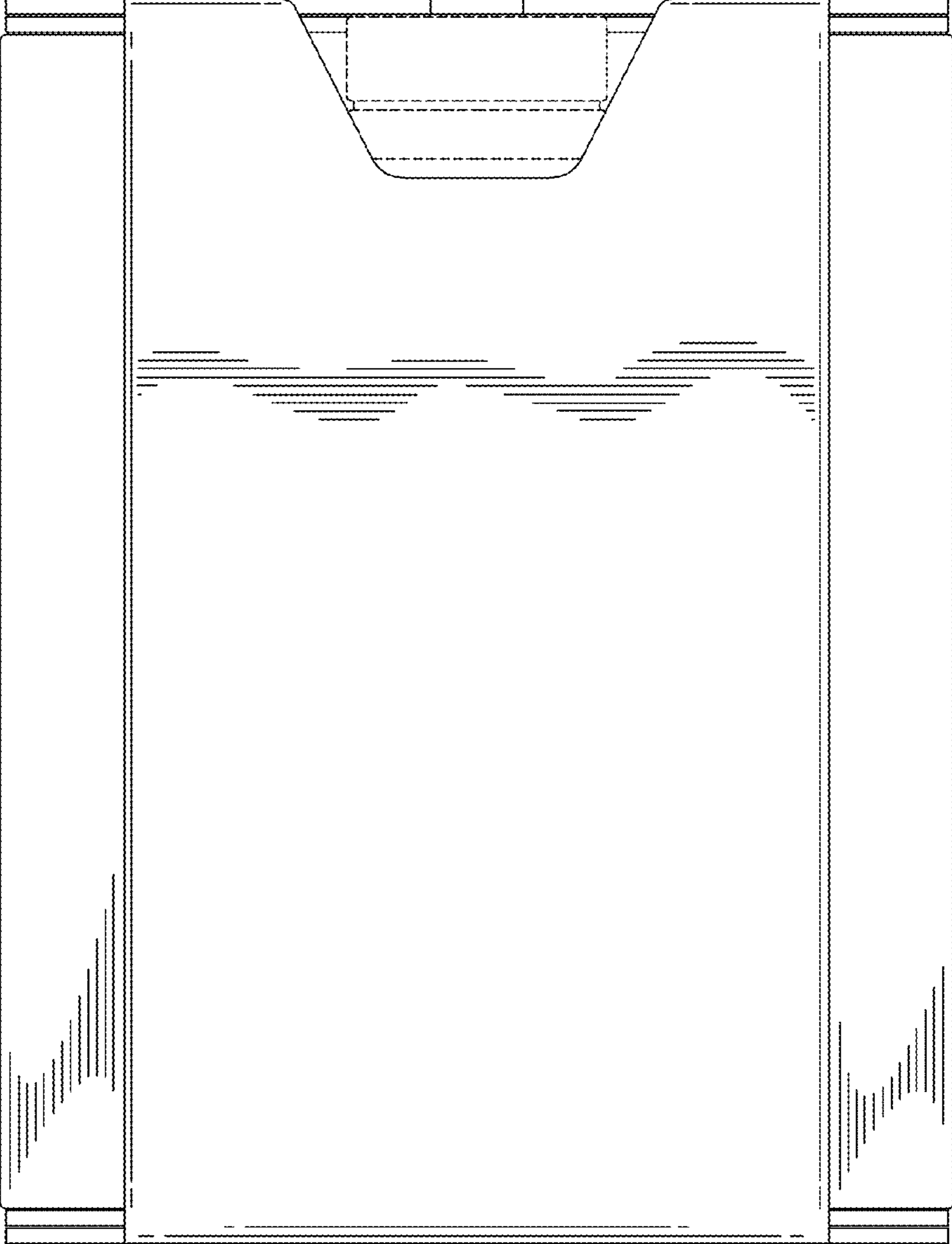


FIG. 2

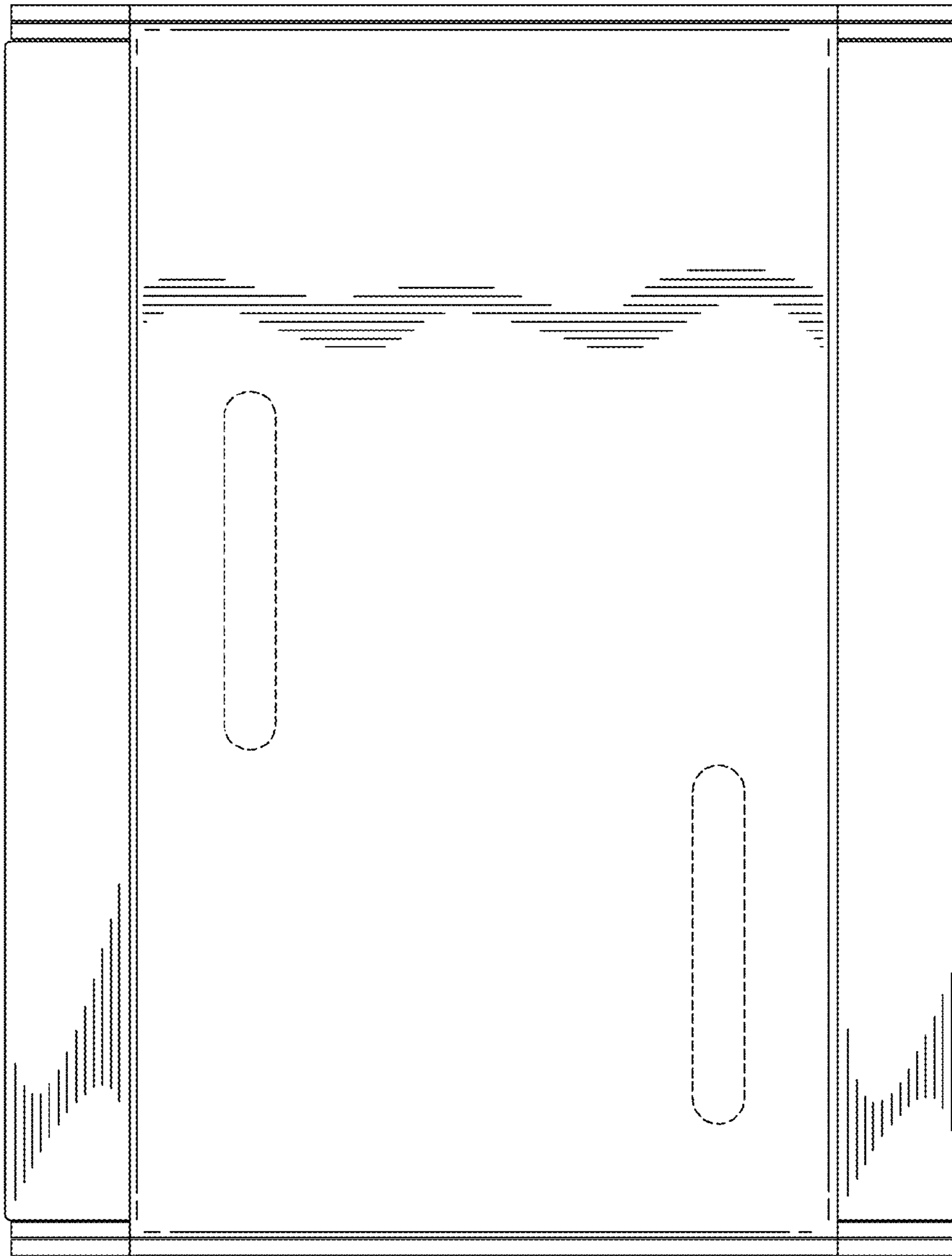


FIG. 3

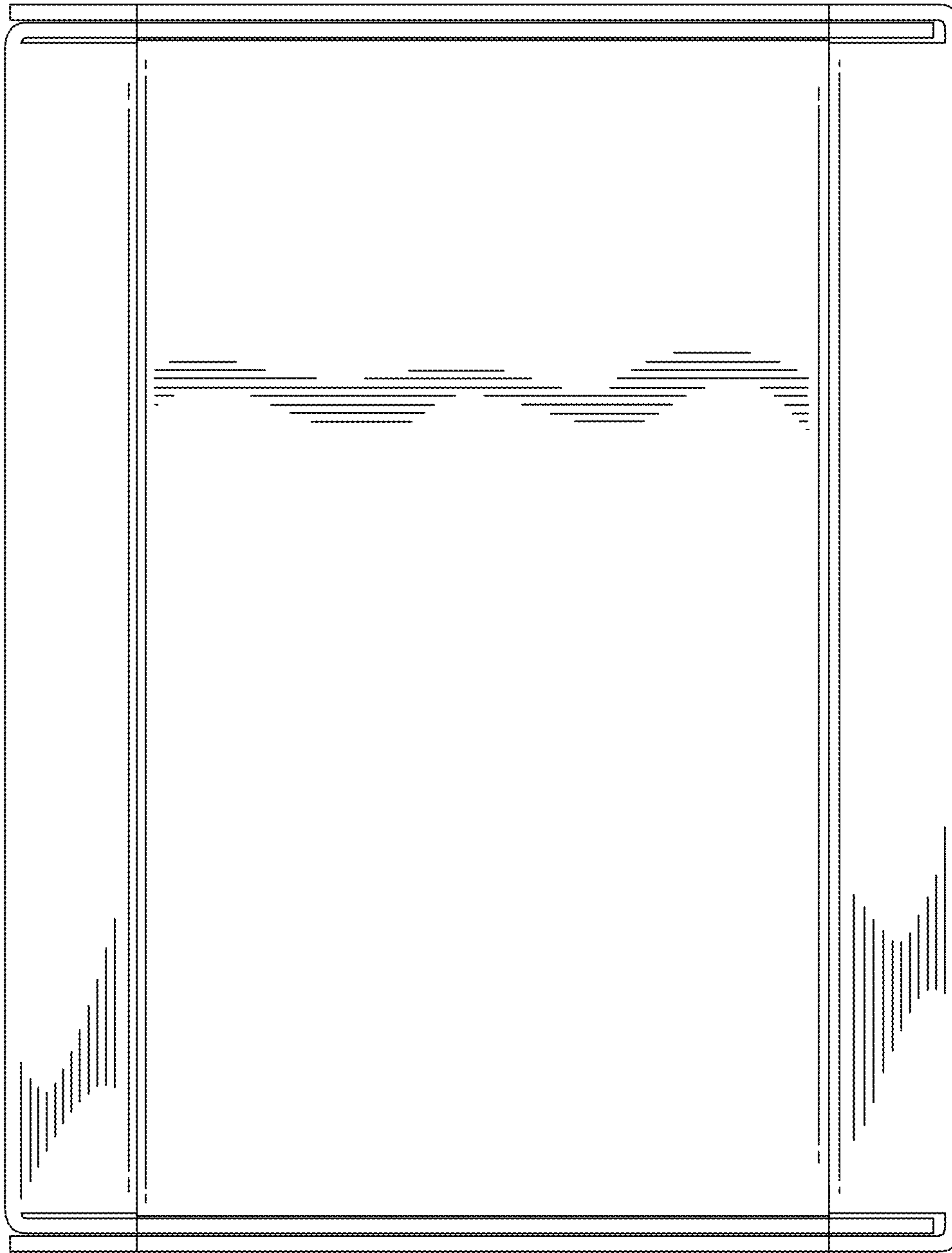


FIG. 4

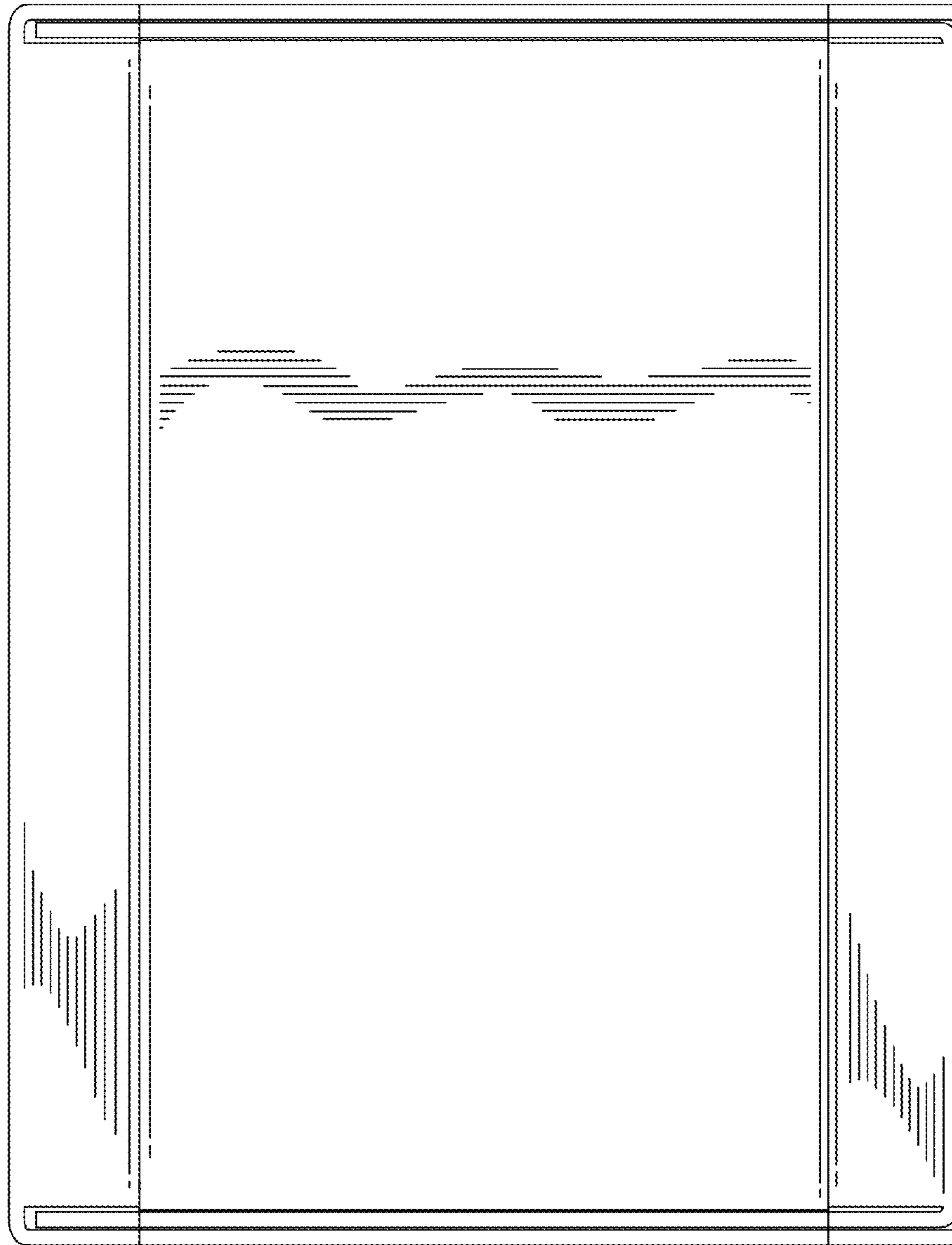


FIG. 5

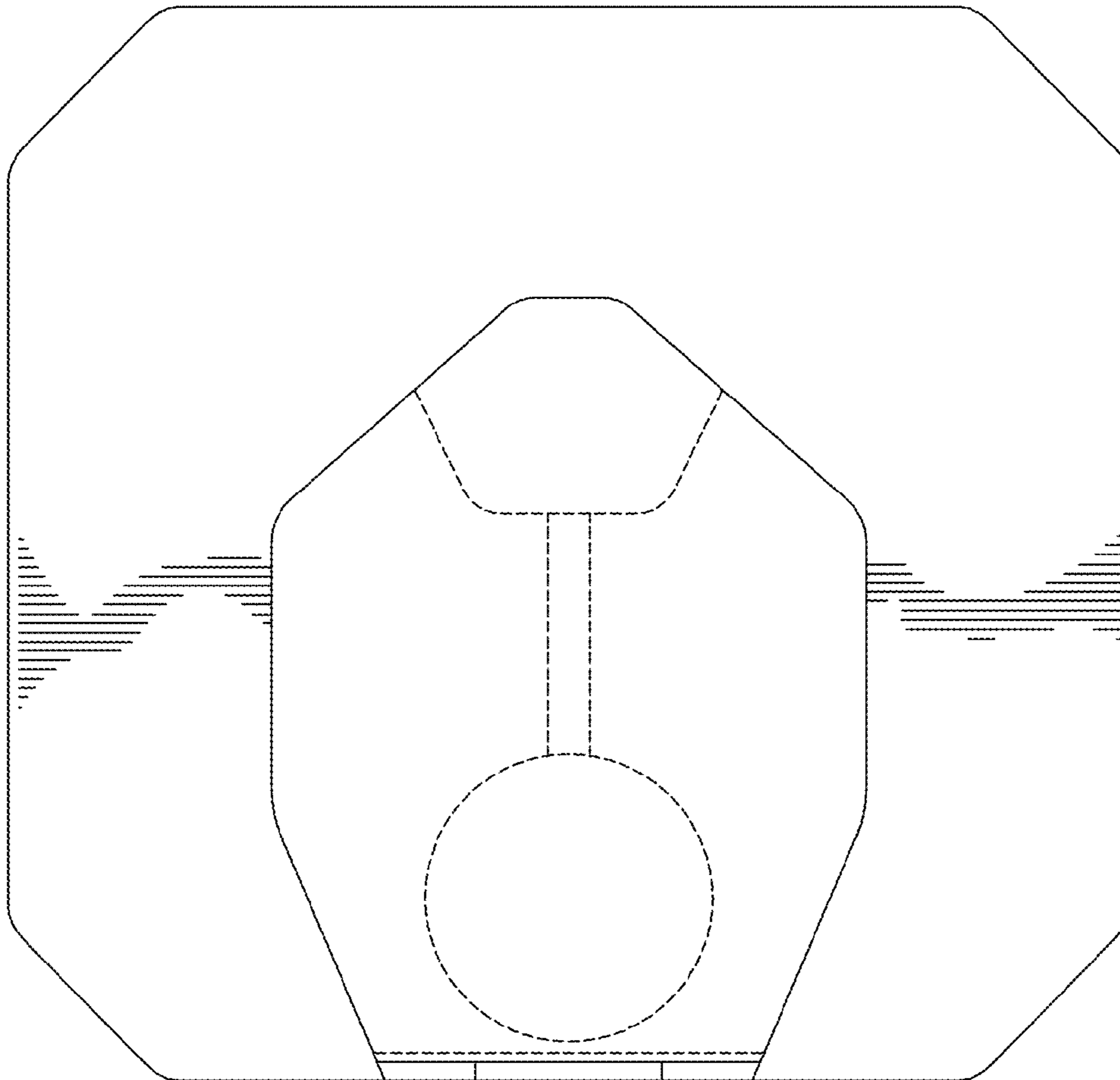


FIG. 6

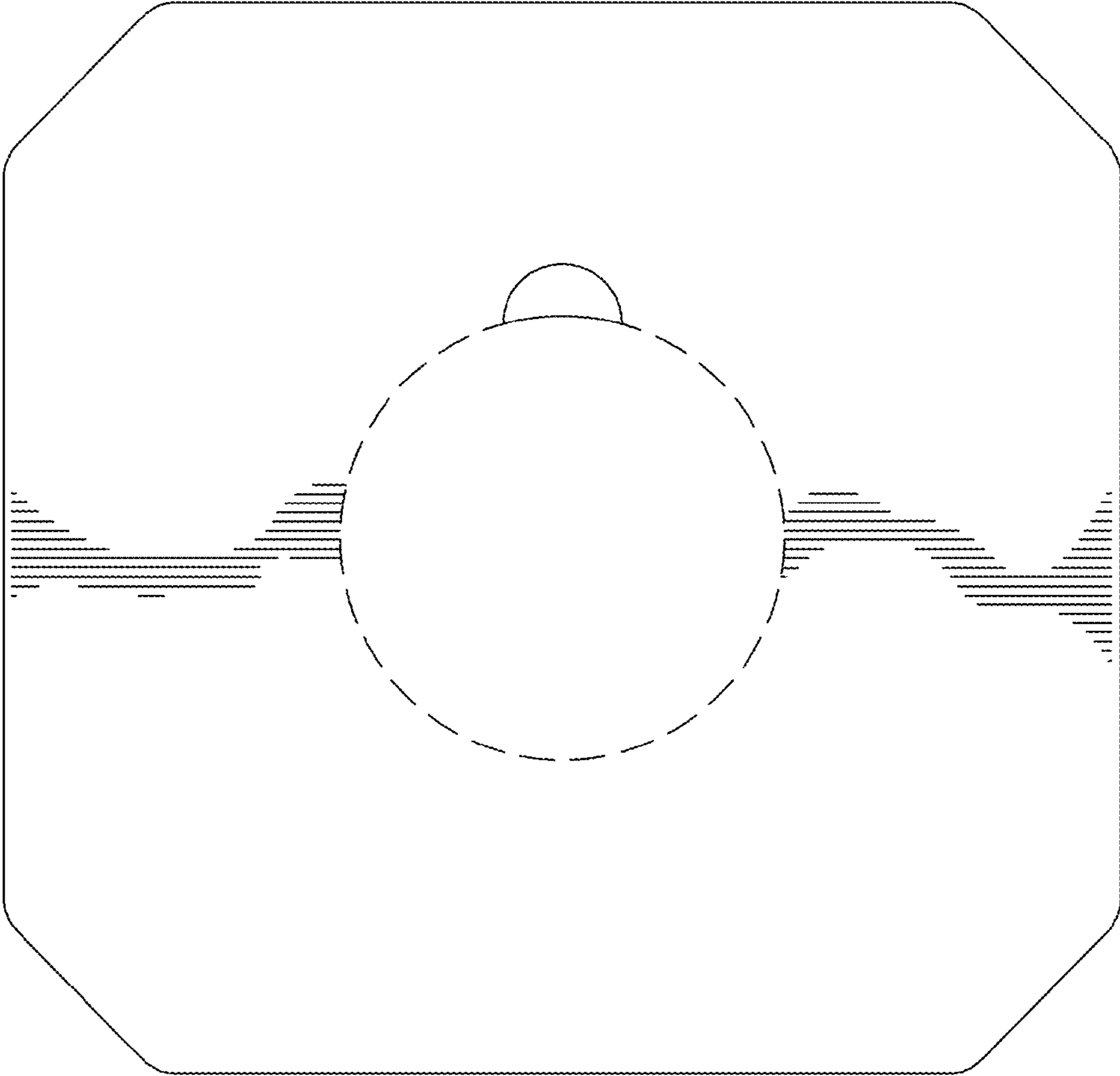


FIG. 7