



US00D725464S

(12) **United States Design Patent**
Sawicki

(10) **Patent No.:** **US D725,464 S**

(45) **Date of Patent:** **** Mar. 31, 2015**

(54) **FLIP TOP JAR**

2010/0308066 A1* 12/2010 Perry et al. 220/810
2011/0011767 A1* 1/2011 Gehring et al. 206/581

(71) Applicant: **TricorBraun Inc.**, St. Louis, MO (US)

* cited by examiner

(72) Inventor: **Craig R. Sawicki**, Roselle, IL (US)

Primary Examiner — Thomas Johannes

Assistant Examiner — Keith Frank

(73) Assignee: **TricorBraun Inc.**, St. Louis, MO (US)

(74) *Attorney, Agent, or Firm* — Husch Blackwell LLP

(**) Term: **14 Years**

(57) **CLAIM**

I claim the ornamental design for a flip-top jar, as shown and described.

(21) Appl. No.: **29/468,356**

DESCRIPTION

(22) Filed: **Sep. 30, 2013**

(51) **LOC (10) Cl.** **09-03**

(52) **U.S. Cl.**

USPC **D9/420**

(58) **Field of Classification Search**

CPC A24F 23/60; B65D 43/161; B65D 43/162;
B65D 43/163; B65D 43/165; B65D 43/168;
B65D 2543/0296

USPC D9/414, 416, 420, 421, 422, 423, 424,
D9/449, 544, 780; D3/202, 304; 229/5.84;
220/253; 206/6.1, 5.1, 303, 530-538,
206/566, 581, 823, 459.5

See application file for complete search history.

FIG. 1 is a top perspective view of a flip-top jar showing the new design with its lid in a closed position;
FIG. 2 is a bottom perspective thereof;
FIG. 3 is a front elevation view thereof;
FIG. 4 is a rear elevation view thereof;
FIG. 5 is a left side elevation view thereof;
FIG. 6 is a right side view elevation thereof;
FIG. 7 is a top view thereof;
FIG. 8 is a bottom view thereof;
FIG. 9 is a top perspective view thereof, with its lid in an opened position;
FIG. 10 is a bottom perspective view thereof;
FIG. 11 is a front elevation view thereof;
FIG. 12 is a rear elevation view thereof;
FIG. 13 is a left side elevation view thereof;
FIG. 14 is a right side elevation view thereof;
FIG. 15 is a top view thereof;
FIG. 16 is a bottom view thereof; and,
FIG. 17 is a cross sectional view thereof, taken in the direction of line 17-17 in FIG. 15.

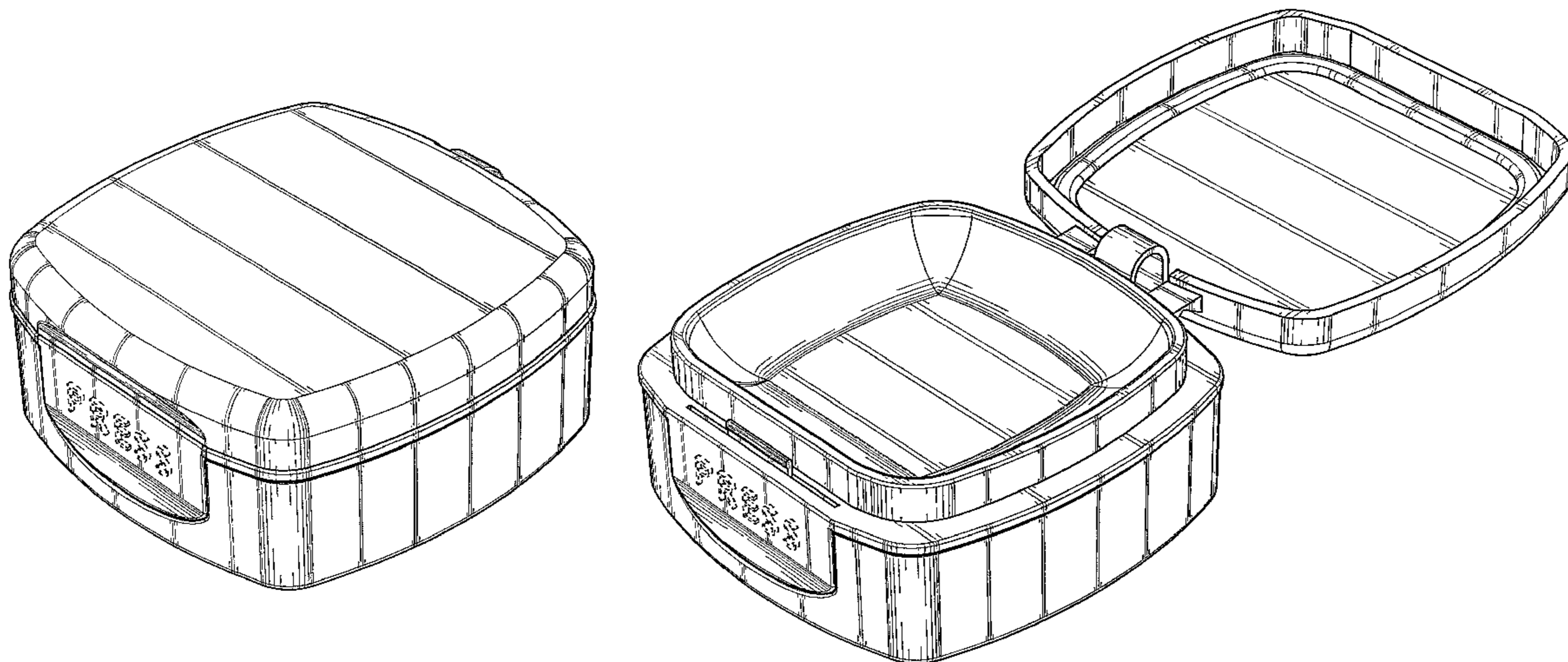
The broken lines shown in the drawing views are included for the purpose of showing environmental structure that forms no part of the claimed design.

(56) **References Cited**

U.S. PATENT DOCUMENTS

D202,450 S *	9/1965	Braun	D9/420
D363,669 S *	10/1995	Pennoyer, Jr.	D9/423
D463,276 S *	9/2002	Piscopo et al.	D9/420
D546,671 S *	7/2007	Cronin et al.	D9/420
D630,939 S *	1/2011	Peters et al.	D9/420
D676,739 S *	2/2013	McGrath et al.	D9/414
D708,940 S *	7/2014	Juna et al.	D9/420
2007/0029226 A1 *	2/2007	Yuhara et al.	206/581
2009/0283437 A1 *	11/2009	Angelucci et al.	206/530

1 Claim, 11 Drawing Sheets



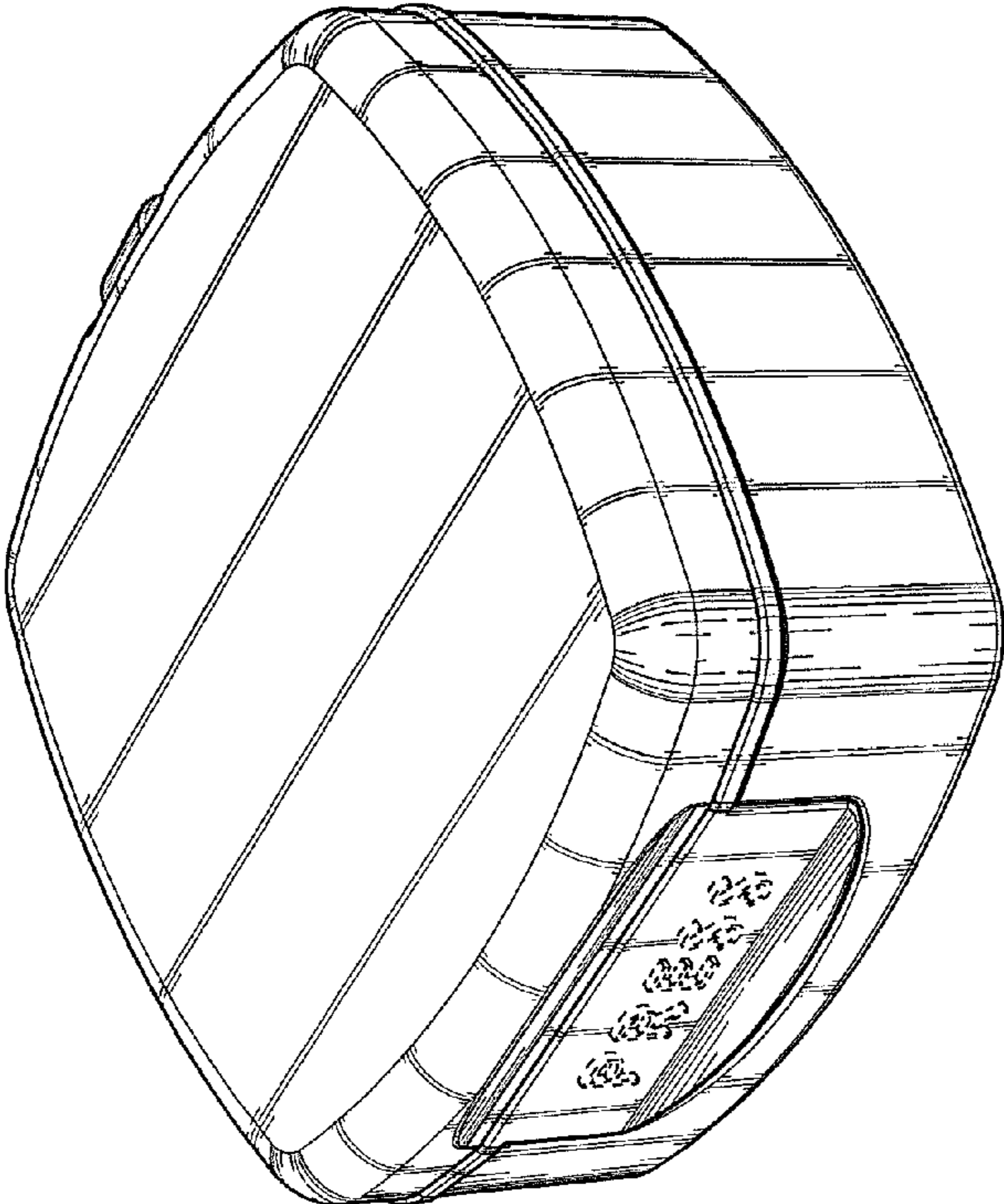


FIG. 1

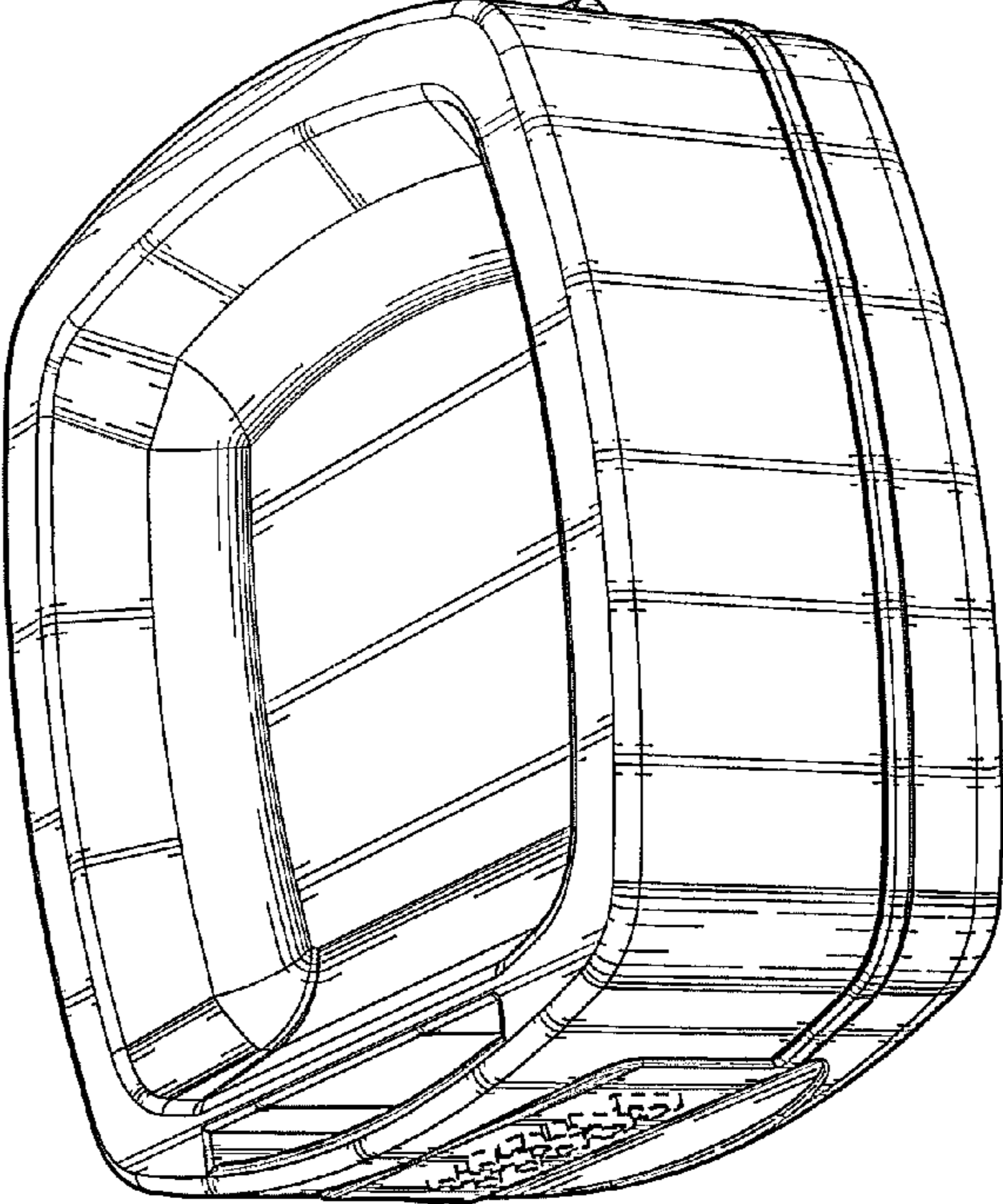


FIG. 2

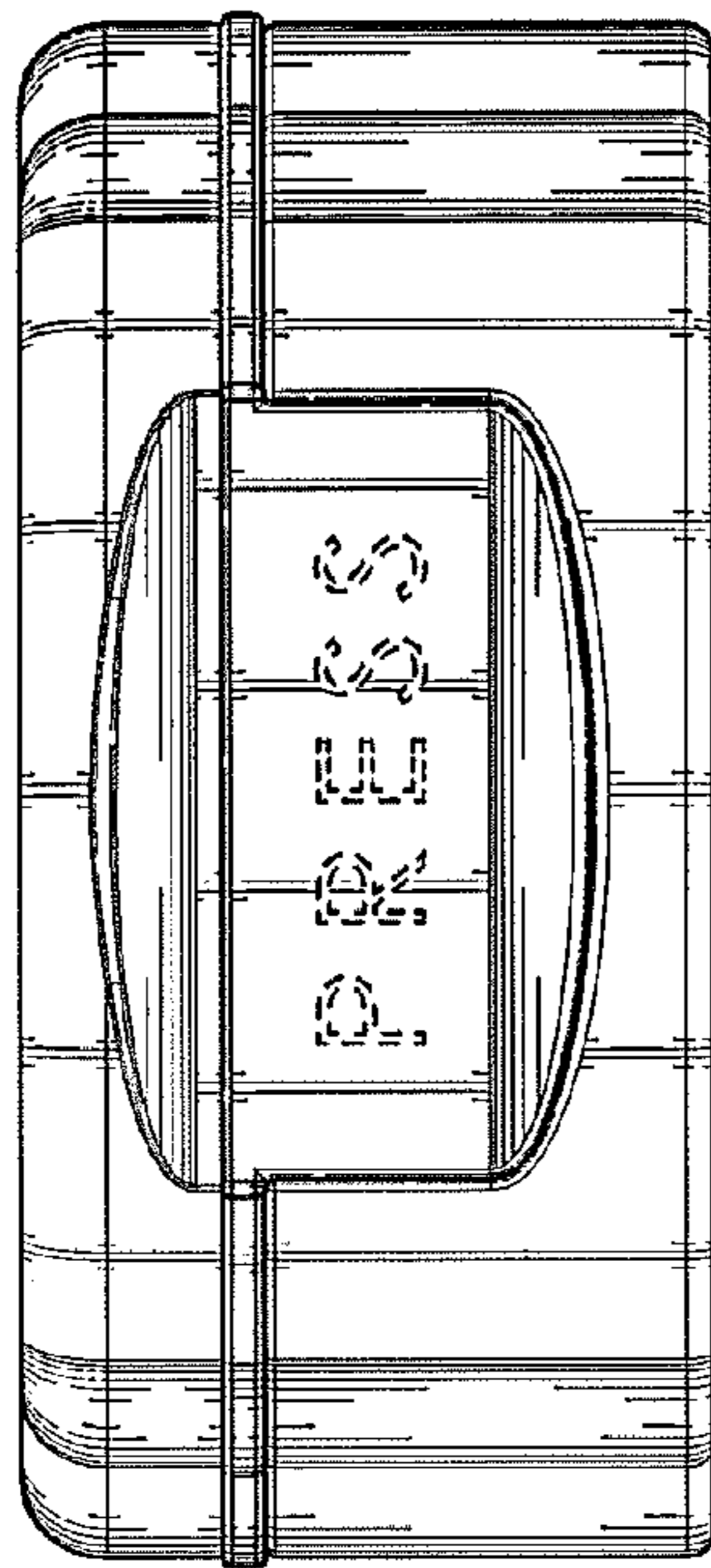


FIG. 3

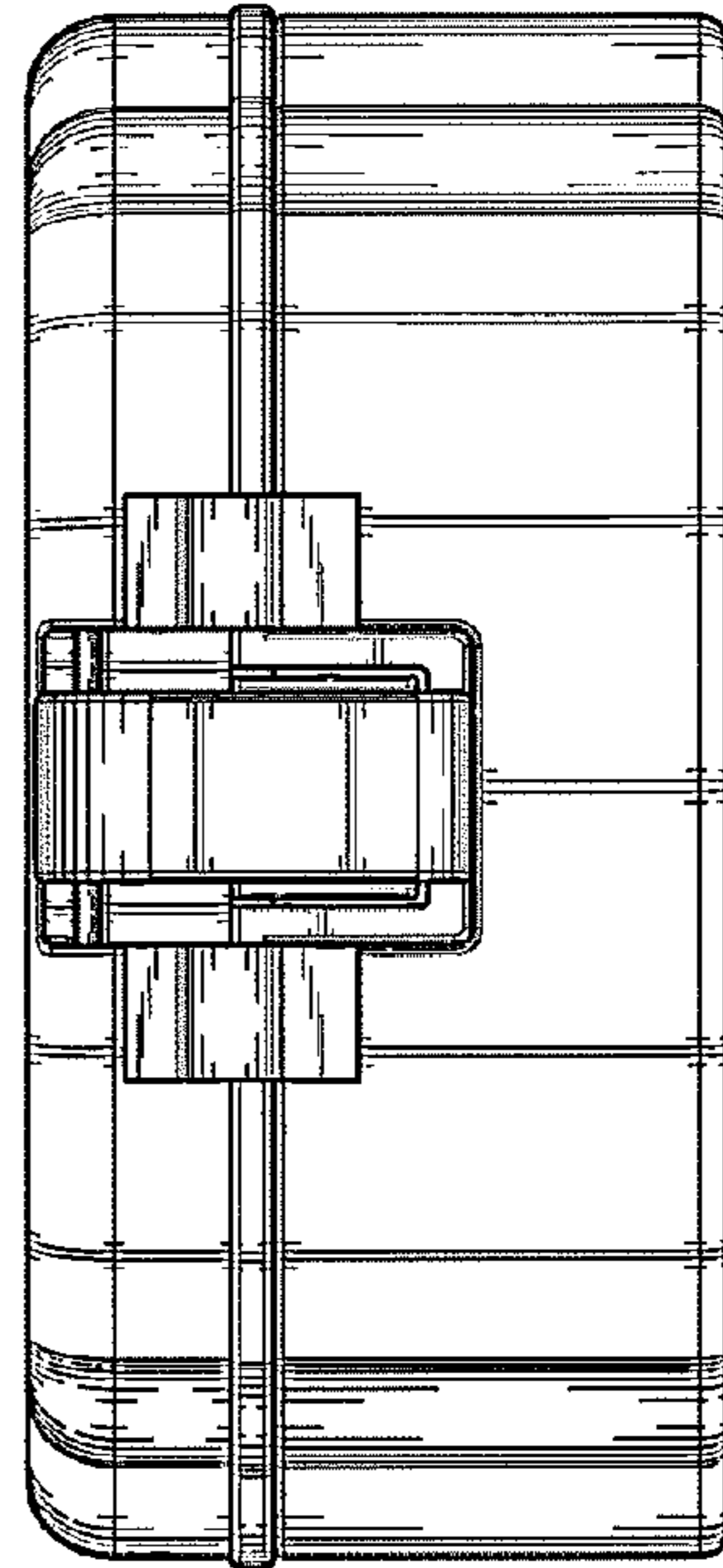


FIG. 4

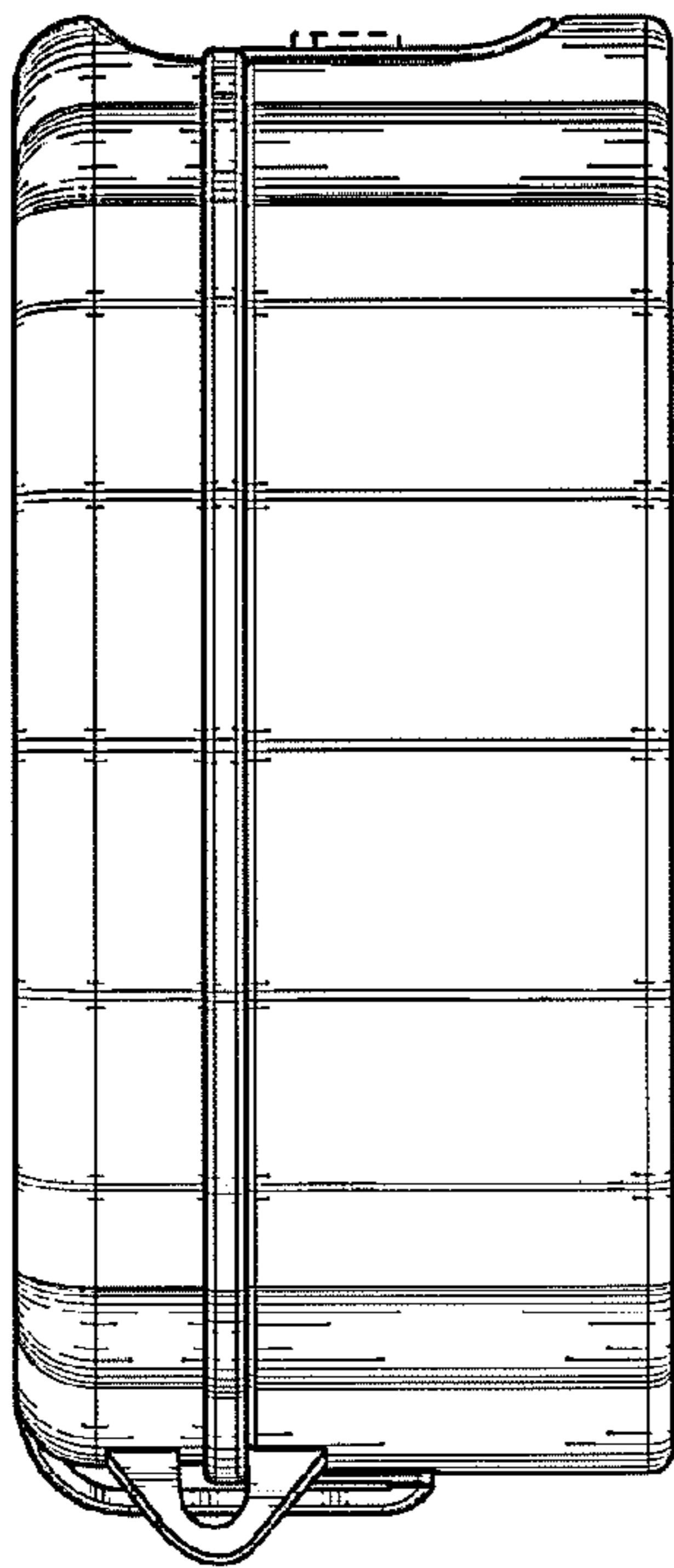


FIG. 5

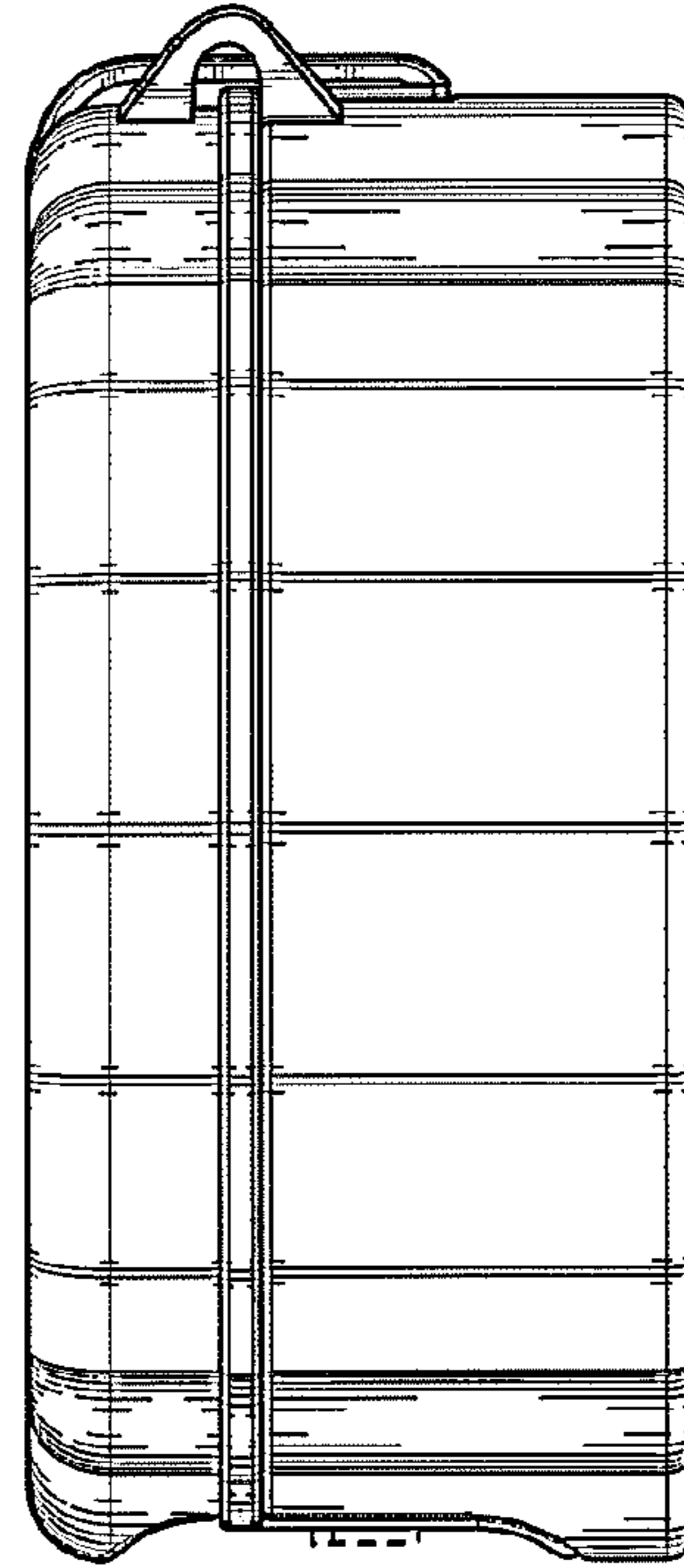


FIG. 6

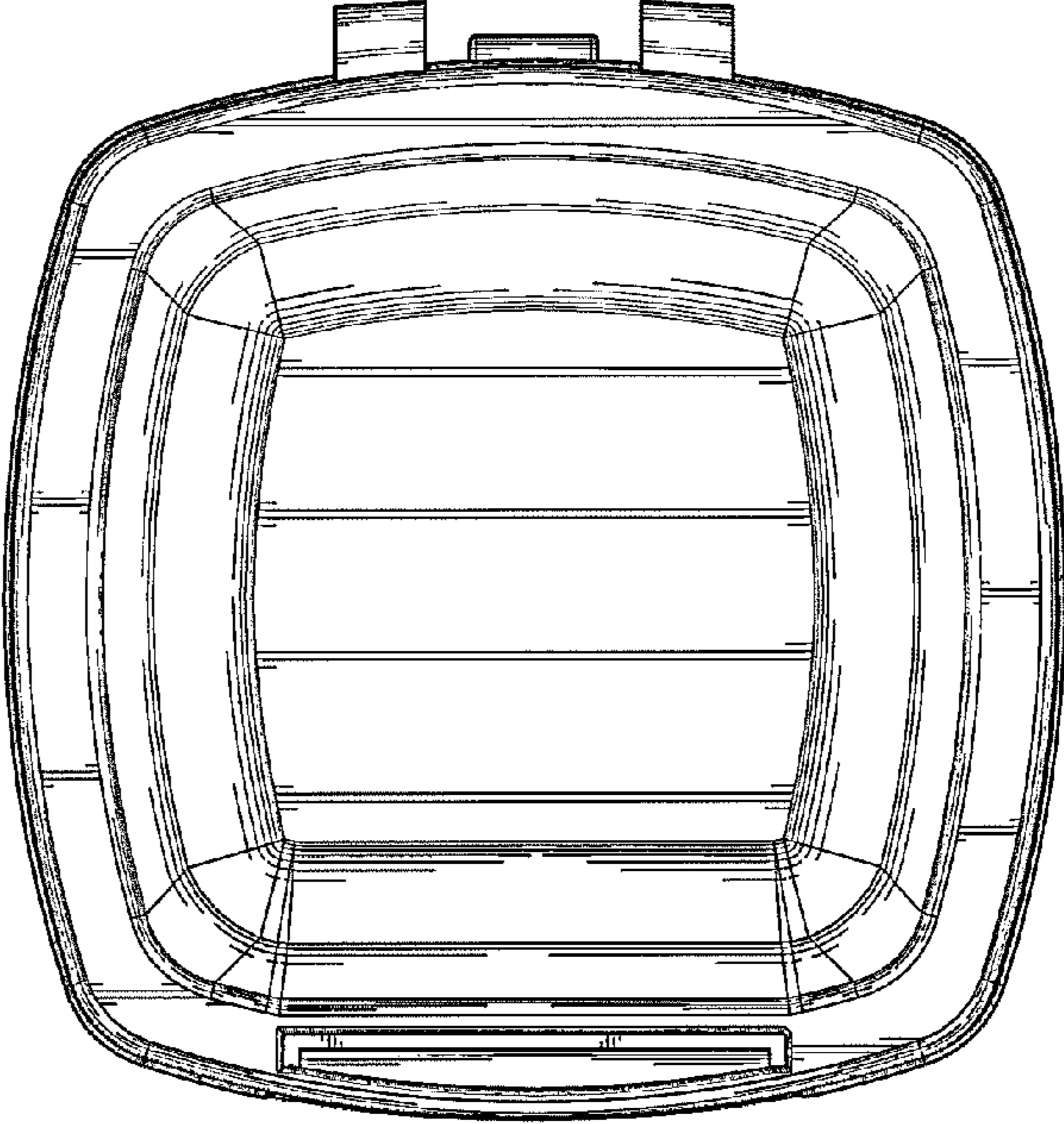


FIG. 8

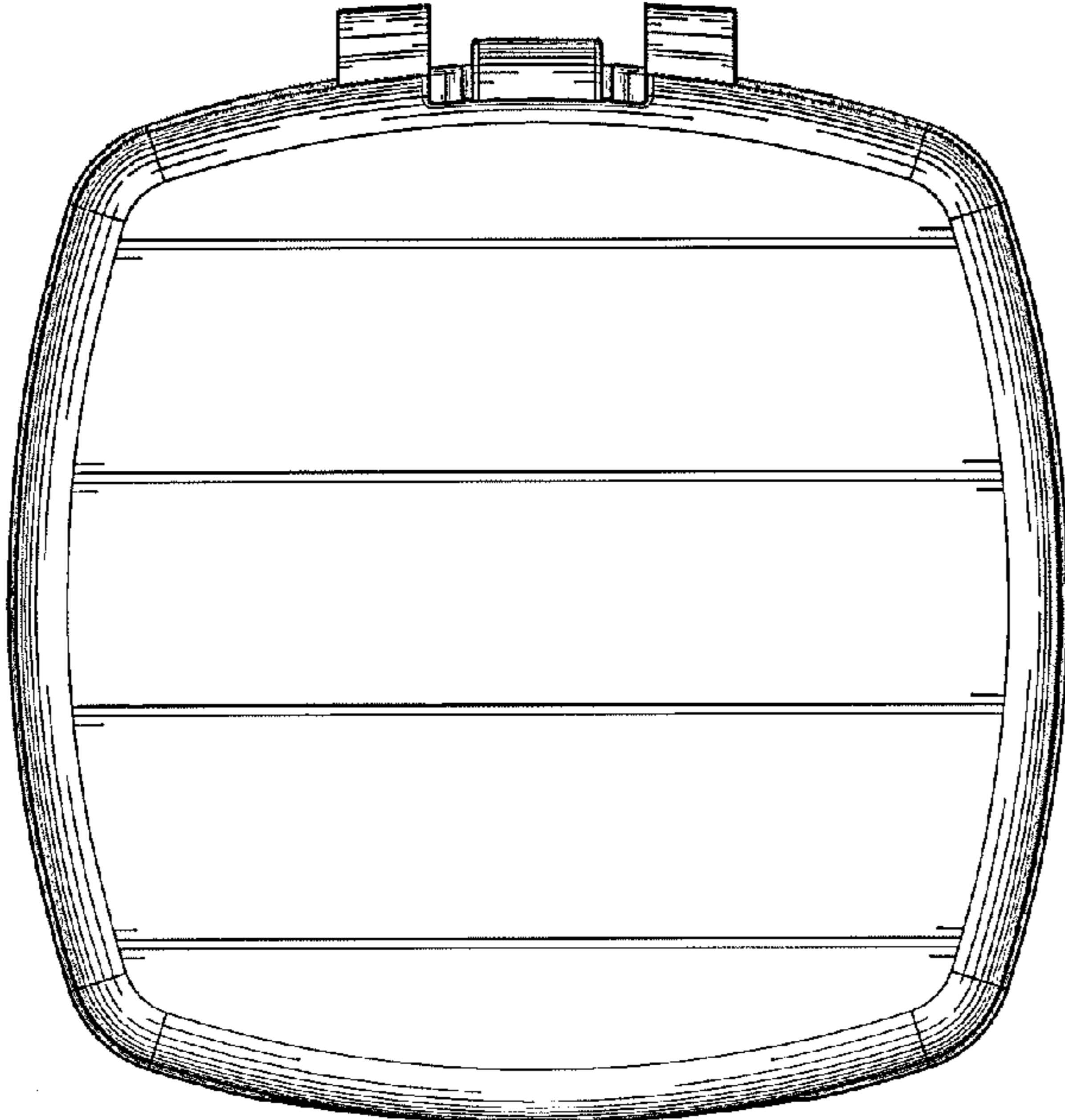


FIG. 7

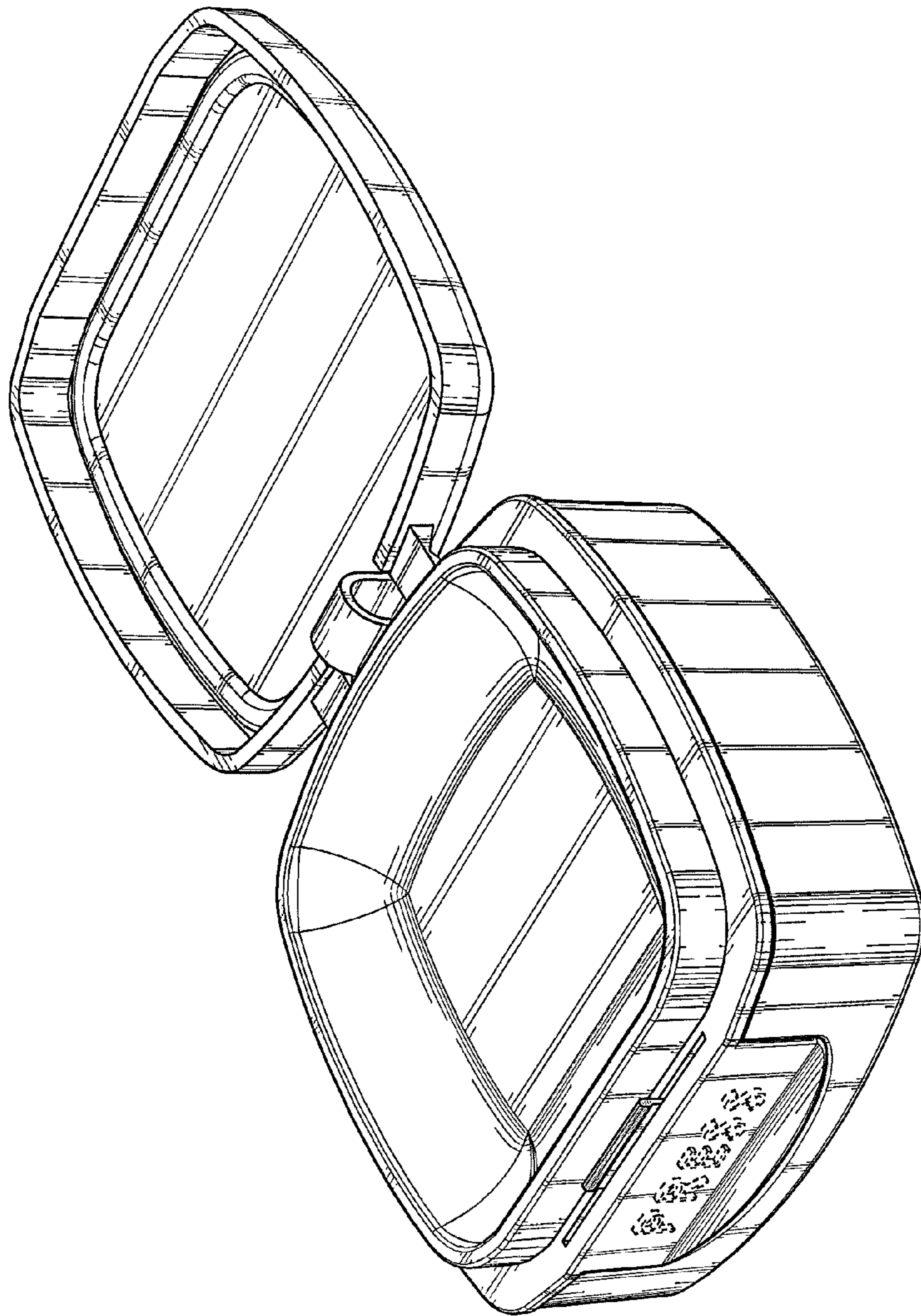


FIG. 9

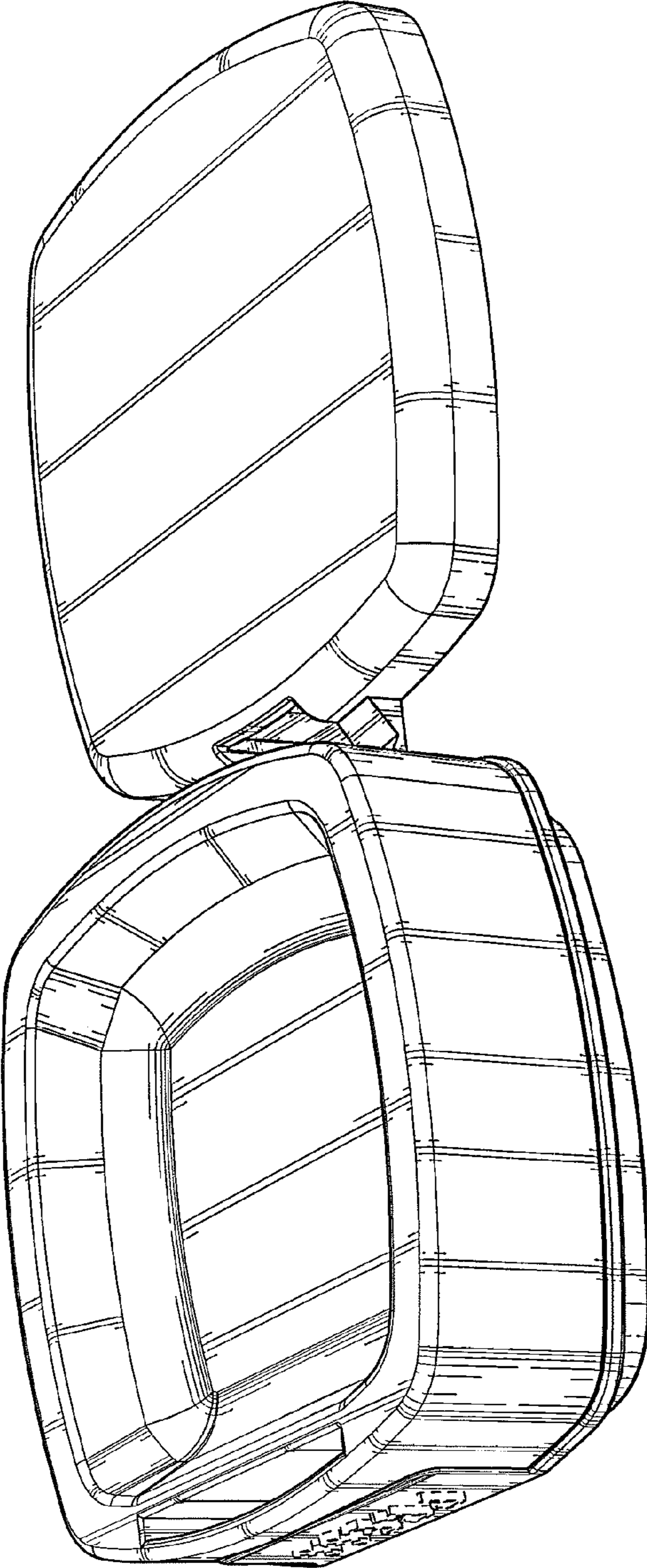


FIG. 10

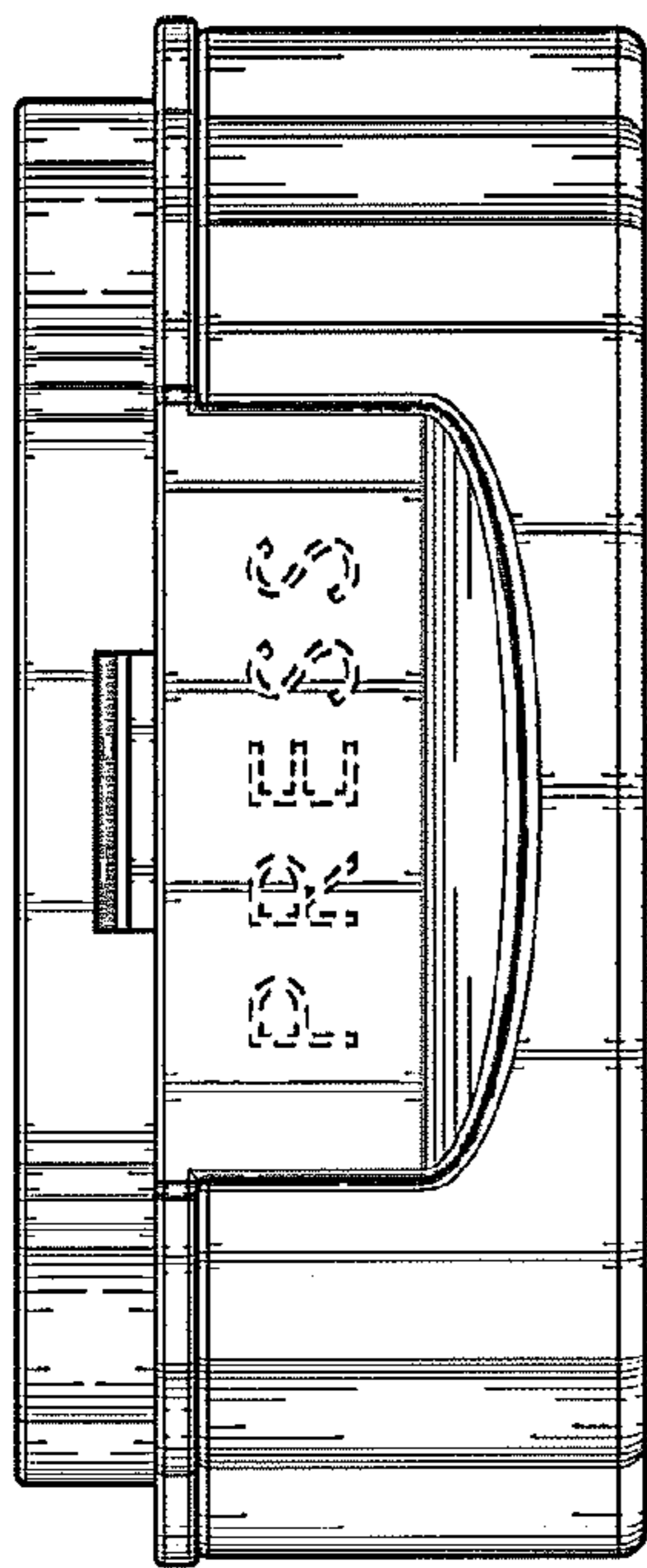


FIG. 11

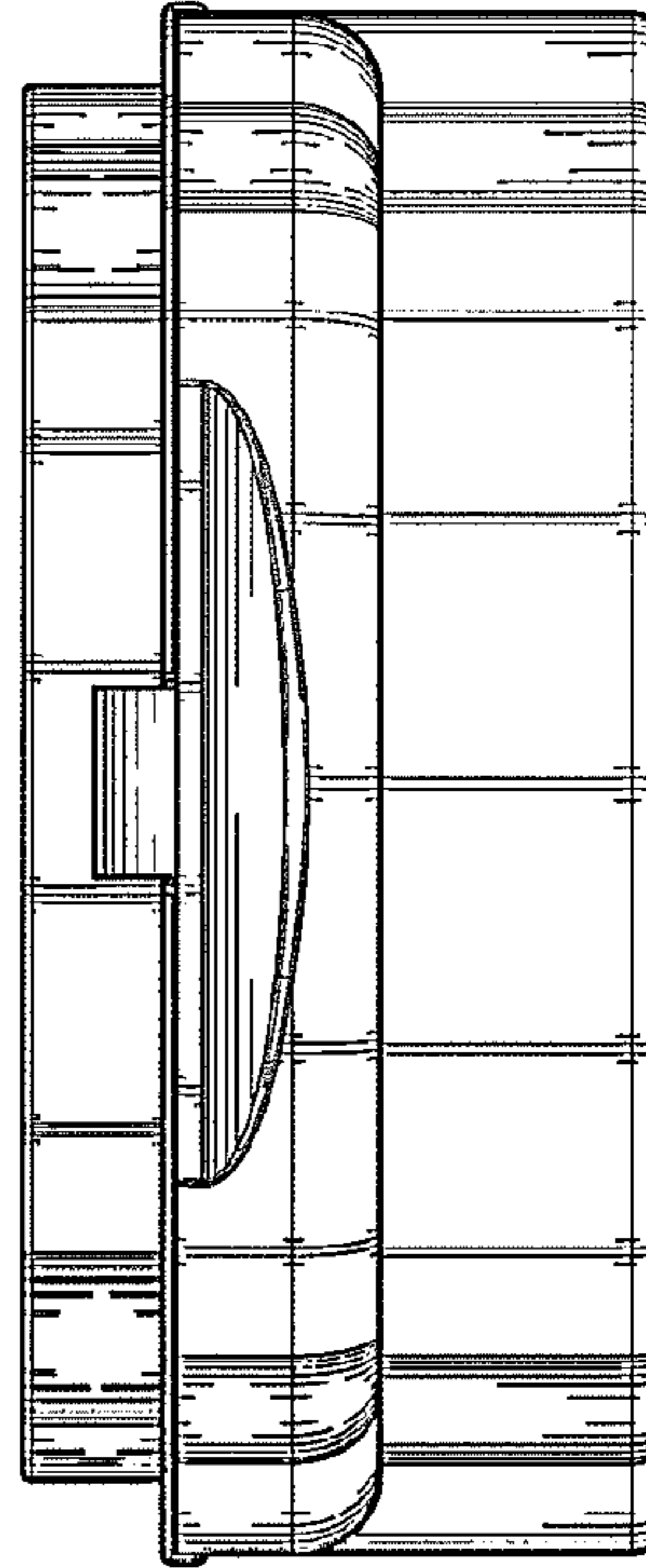


FIG. 12

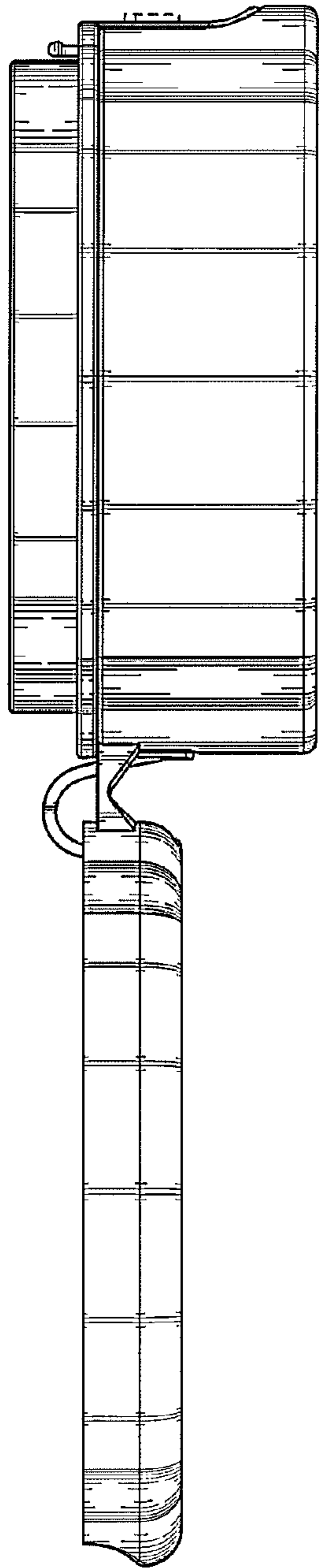


FIG. 13

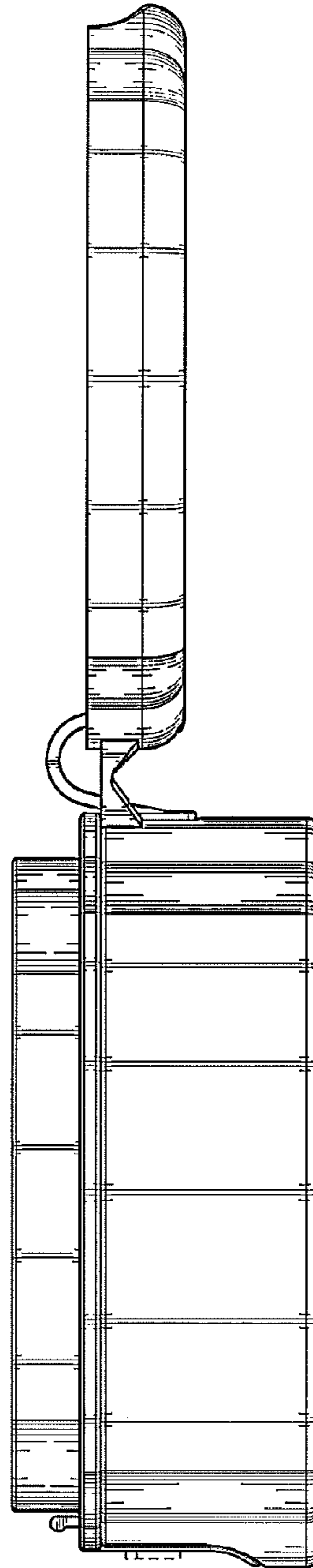


FIG. 14

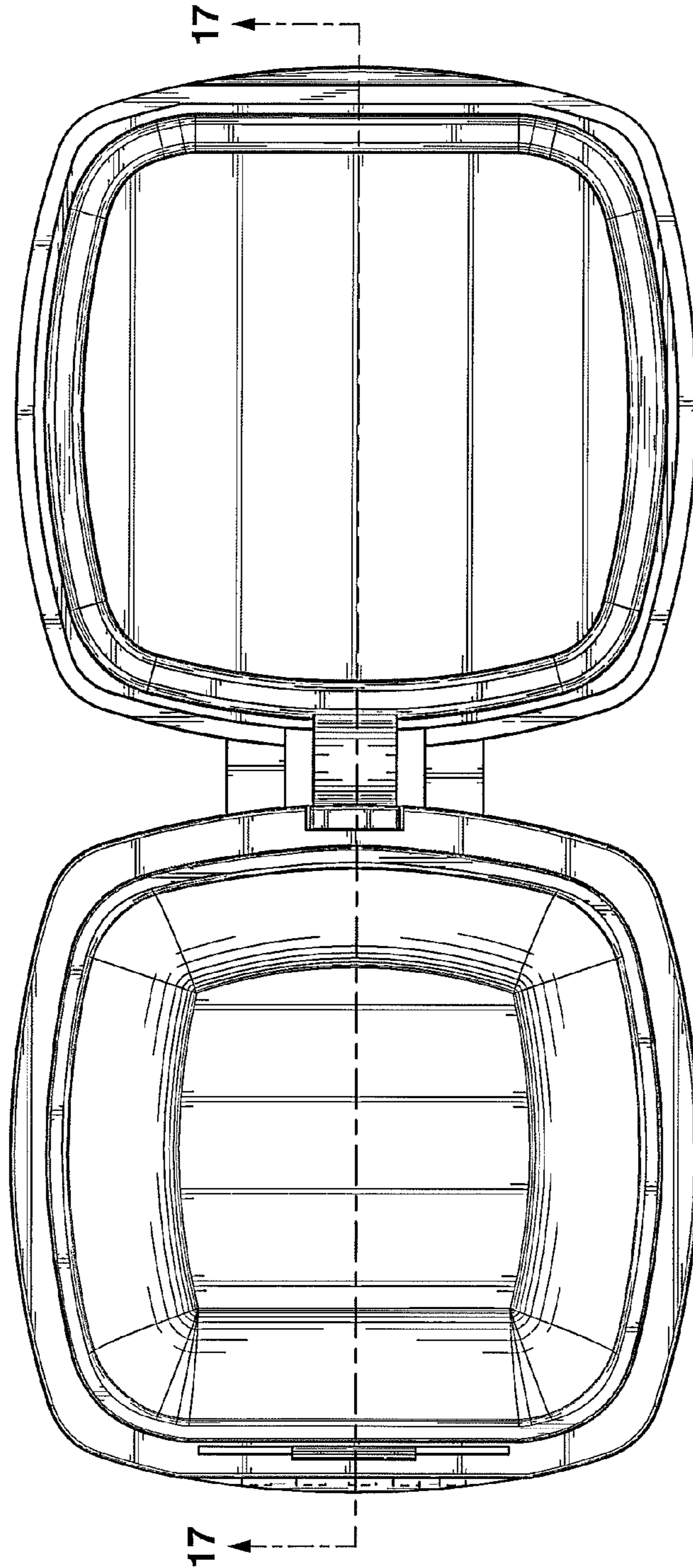


FIG. 15

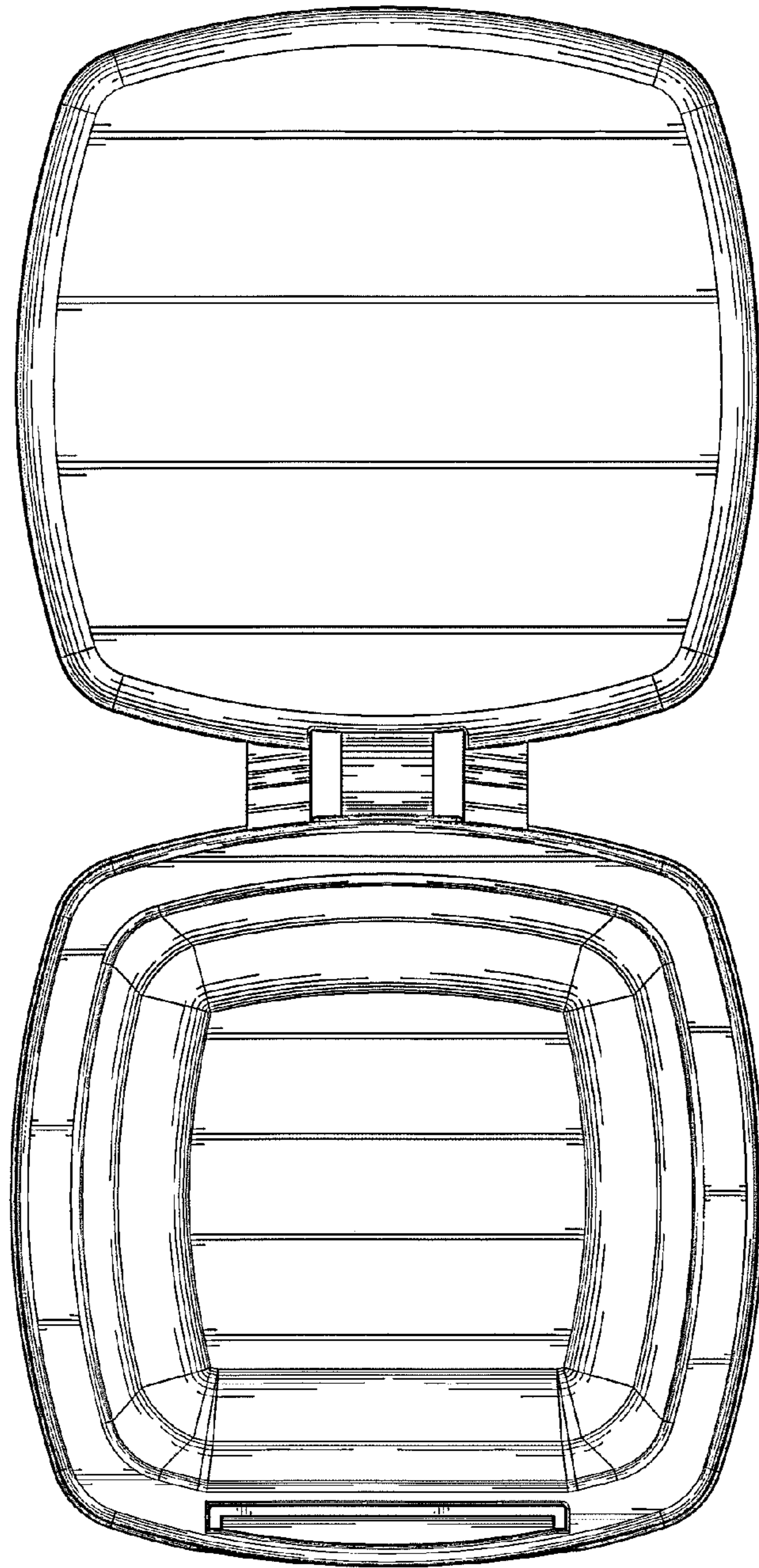


FIG. 16

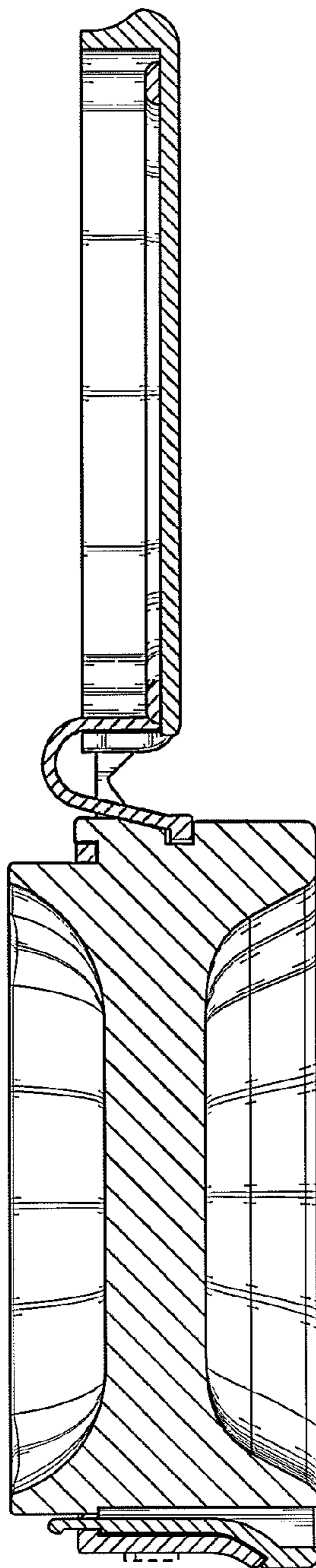


FIG. 17