

US00D725463S

(12) **United States Design Patent**
Kuo et al.

(10) **Patent No.:** **US D725,463 S**
(45) **Date of Patent:** **** Mar. 31, 2015**

(54) **PAPER BOX HAVING SLOPE**

(71) Applicant: **Golden Arrow Printing Co., Ltd.**, New Taipei (TW)

(72) Inventors: **Chien-Kuan Kuo**, New Taipei (TW);
Chun-Huang Huang, New Taipei (TW)

(73) Assignee: **Golden Arrow Printing Co., Ltd.**, New Taipei (TW)

(**) Term: **14 Years**

(21) Appl. No.: **29/493,130**

(22) Filed: **Jun. 5, 2014**

(51) **LOC (10) Cl.** **09-03**

(52) **U.S. Cl.**
USPC **D9/414**

(58) **Field of Classification Search**
USPC D9/414, 420, 432, 734, 430, 431, 675,
D9/425, 759; D6/559, 518, 397, 610;
D3/201, 203.2; D13/110, 102, 152;
206/351, 409; 221/305

See application file for complete search history.

D470,049 S * 2/2003 Gray, III D9/759
D617,635 S * 6/2010 Gould D9/431
D630,939 S * 1/2011 Peters et al. D9/420
D636,333 S * 4/2011 Kulikowski D13/110
D638,305 S * 5/2011 Brogan et al. D9/675
D640,130 S * 6/2011 Golota et al. D9/425
D642,513 S * 8/2011 Chen D13/102
D644,101 S * 8/2011 Caldwell et al. D9/430
D659,460 S * 5/2012 Boone D6/610
D664,762 S * 8/2012 Dalton D3/203.2
D678,845 S * 3/2013 Singer D13/152
D685,629 S * 7/2013 McAdam D9/420
D686,491 S * 7/2013 Kuo et al. D9/432
D686,845 S * 7/2013 Brink et al. D6/559
D700,510 S * 3/2014 McAdam D9/432
D718,149 S * 11/2014 Glenn D9/734
2007/0262086 A1 * 11/2007 Cook et al. 221/305

* cited by examiner

Primary Examiner — Ian Simmons
Assistant Examiner — Rhea Shields
(74) *Attorney, Agent, or Firm* — Chun-Ming Shih; HDLS IPR Services

(57) **CLAIM**
The ornamental design for a paper box having slope, as shown and described.

DESCRIPTION

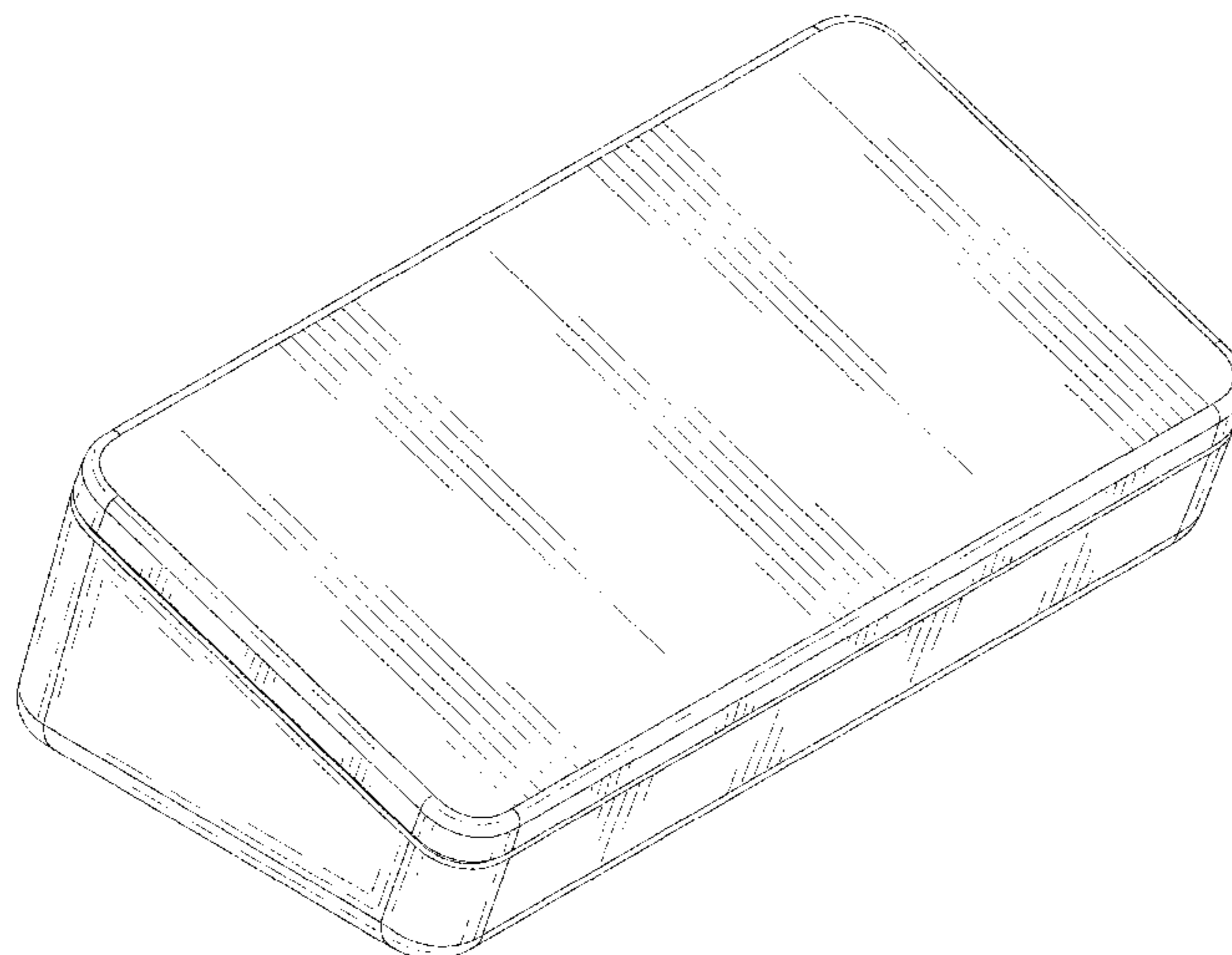
FIG. 1 is a perspective view of a paper box having slope showing our new design;
FIG. 2 is a front view thereof;
FIG. 3 is a rear view thereof;
FIG. 4 is a left side view thereof;
FIG. 5 is a right side view thereof;
FIG. 6 is a top view thereof;
FIG. 7 is a bottom view thereof; and,
FIG. 8 is an exploded view showing the paper box having slope.
The broken lines shown represent unclaimed subject matter and form no part of the claimed design.

1 Claim, 5 Drawing Sheets

(56) **References Cited**

U.S. PATENT DOCUMENTS

D244,430 S * 5/1977 Larkin D9/432
D261,950 S * 11/1981 Jankowski D3/205
D263,121 S * 2/1982 Lowry D9/432
4,630,731 A * 12/1986 Alberty 206/425
4,700,842 A * 10/1987 Grusin 206/508
4,787,527 A * 11/1988 Monetti 220/557
4,819,824 A * 4/1989 Longbottom et al. 220/266
4,976,370 A * 12/1990 Cassel 220/792
D332,218 S * 1/1993 Serna D9/430
D365,208 S * 12/1995 Laib D3/294
D376,501 S * 12/1996 Spaseska D6/518
D378,246 S * 3/1997 Nakazawa et al. D3/273
D381,197 S * 7/1997 Green et al. D3/201
D429,085 S * 8/2000 Welty et al. D6/397



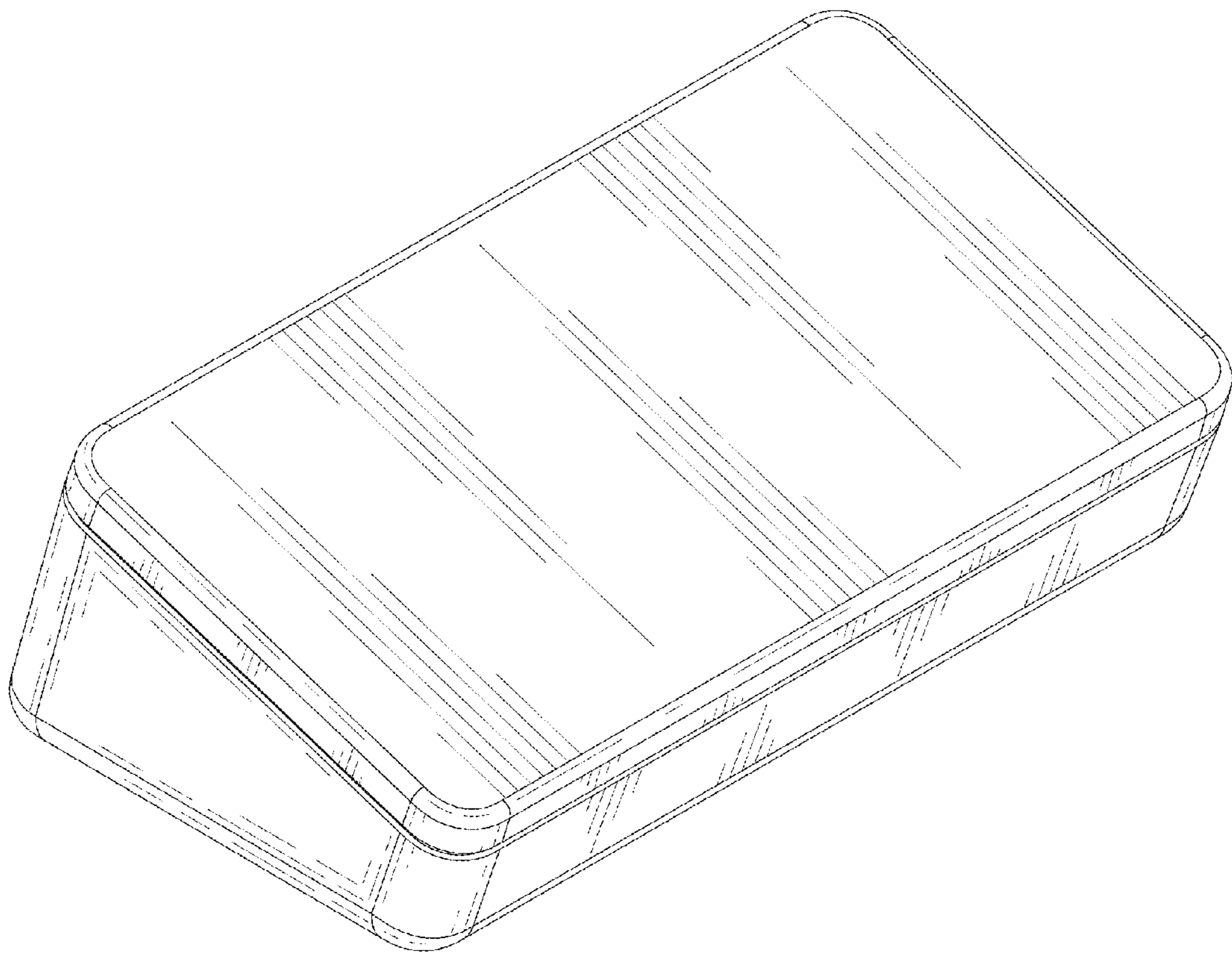


FIG.1

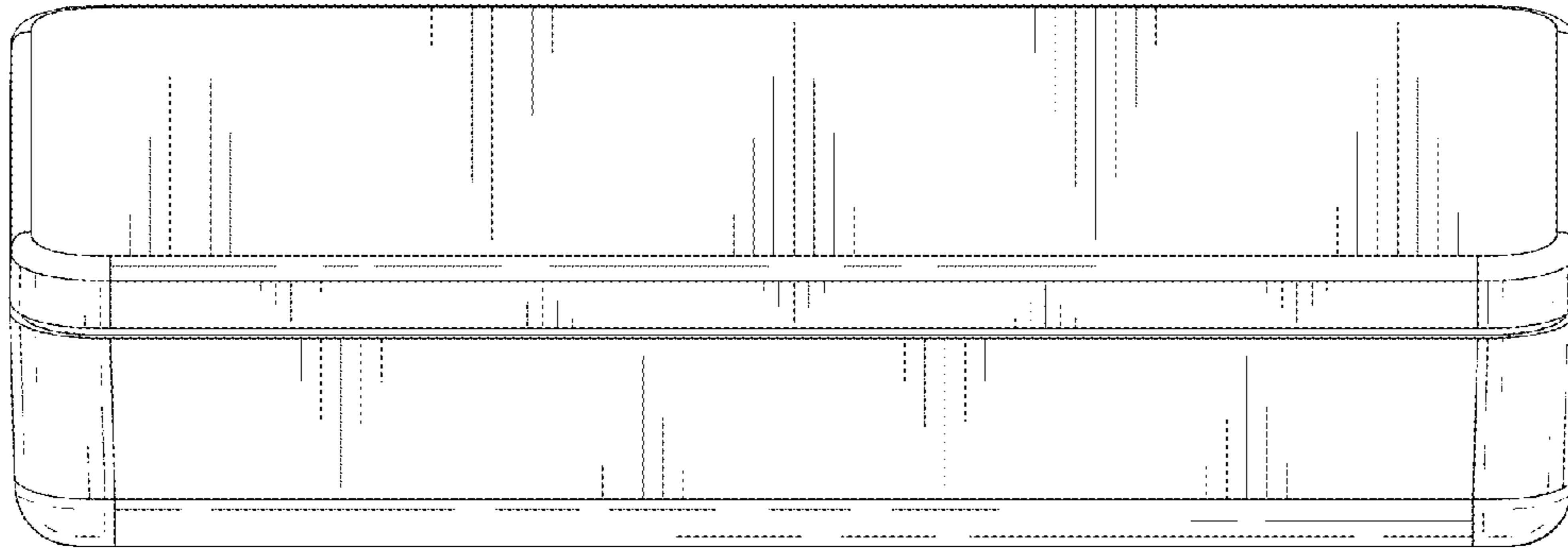


FIG. 2

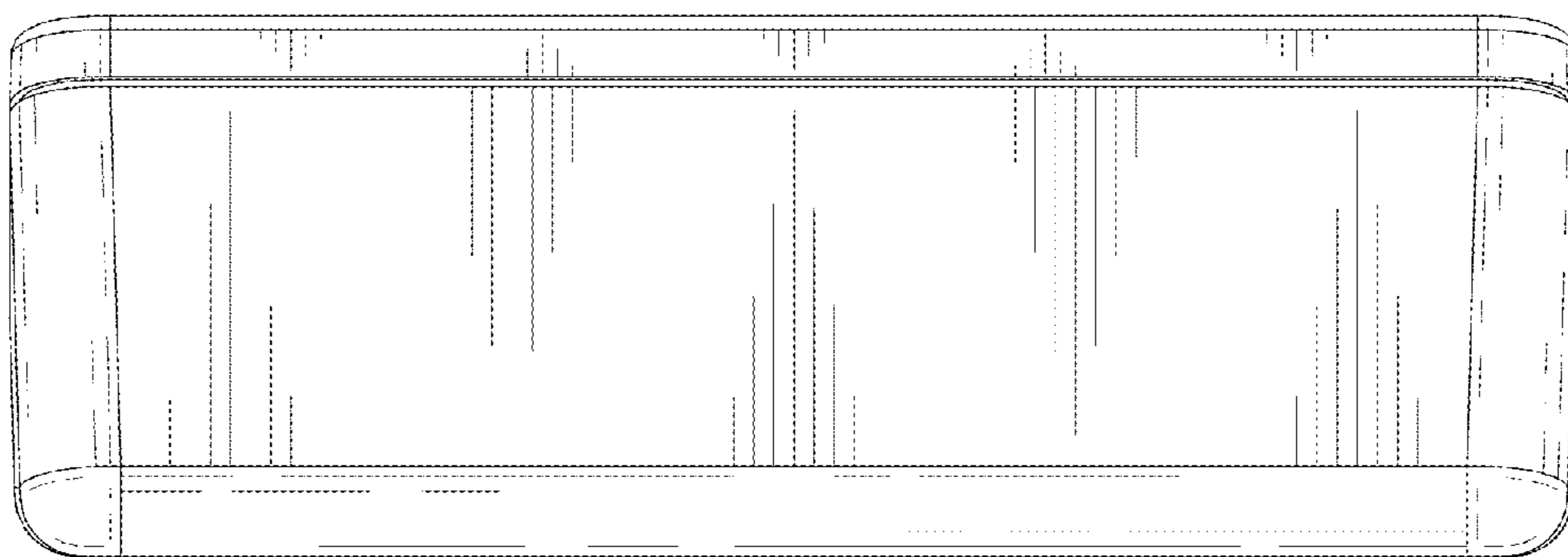


FIG. 3

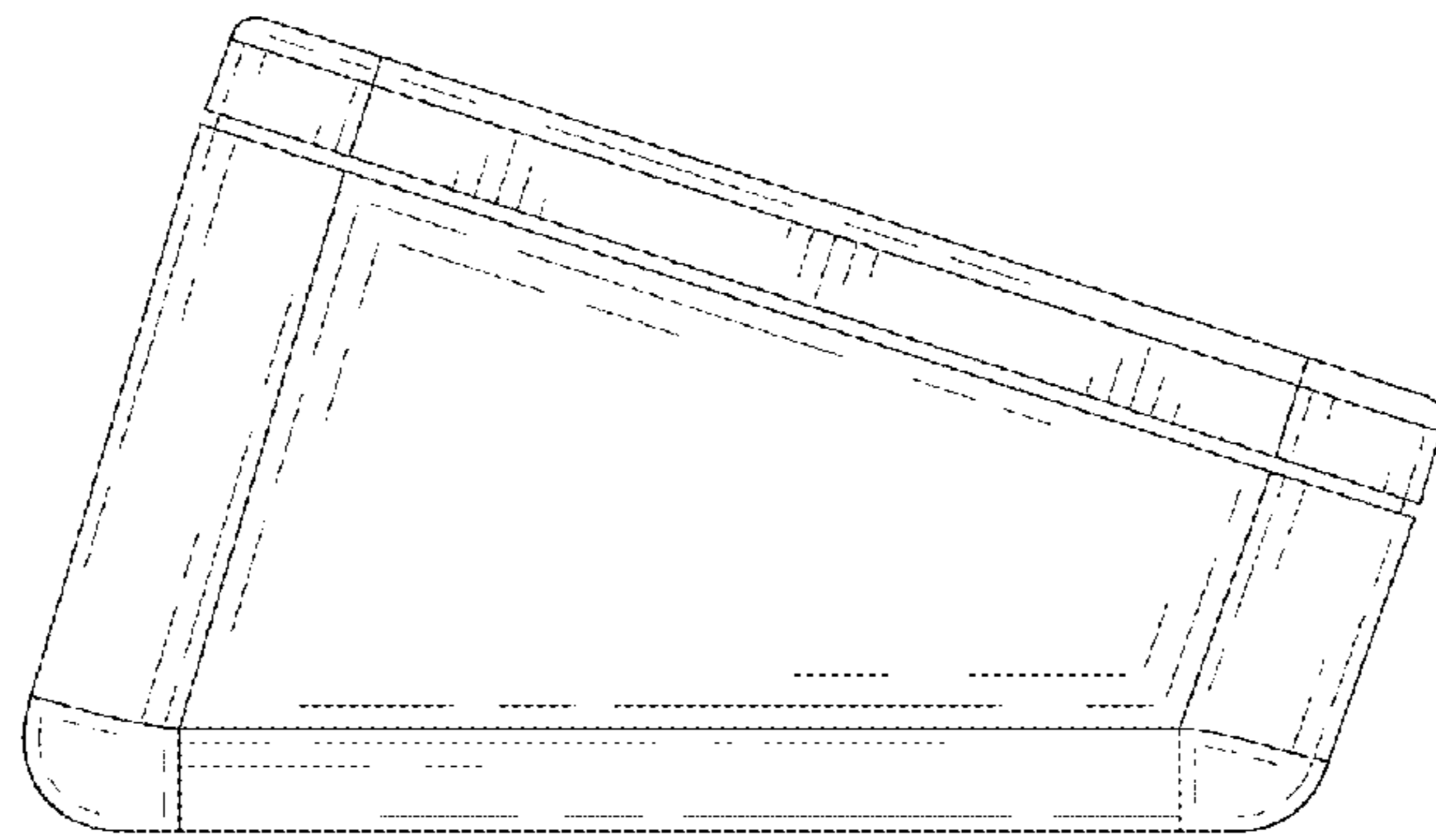


FIG. 4

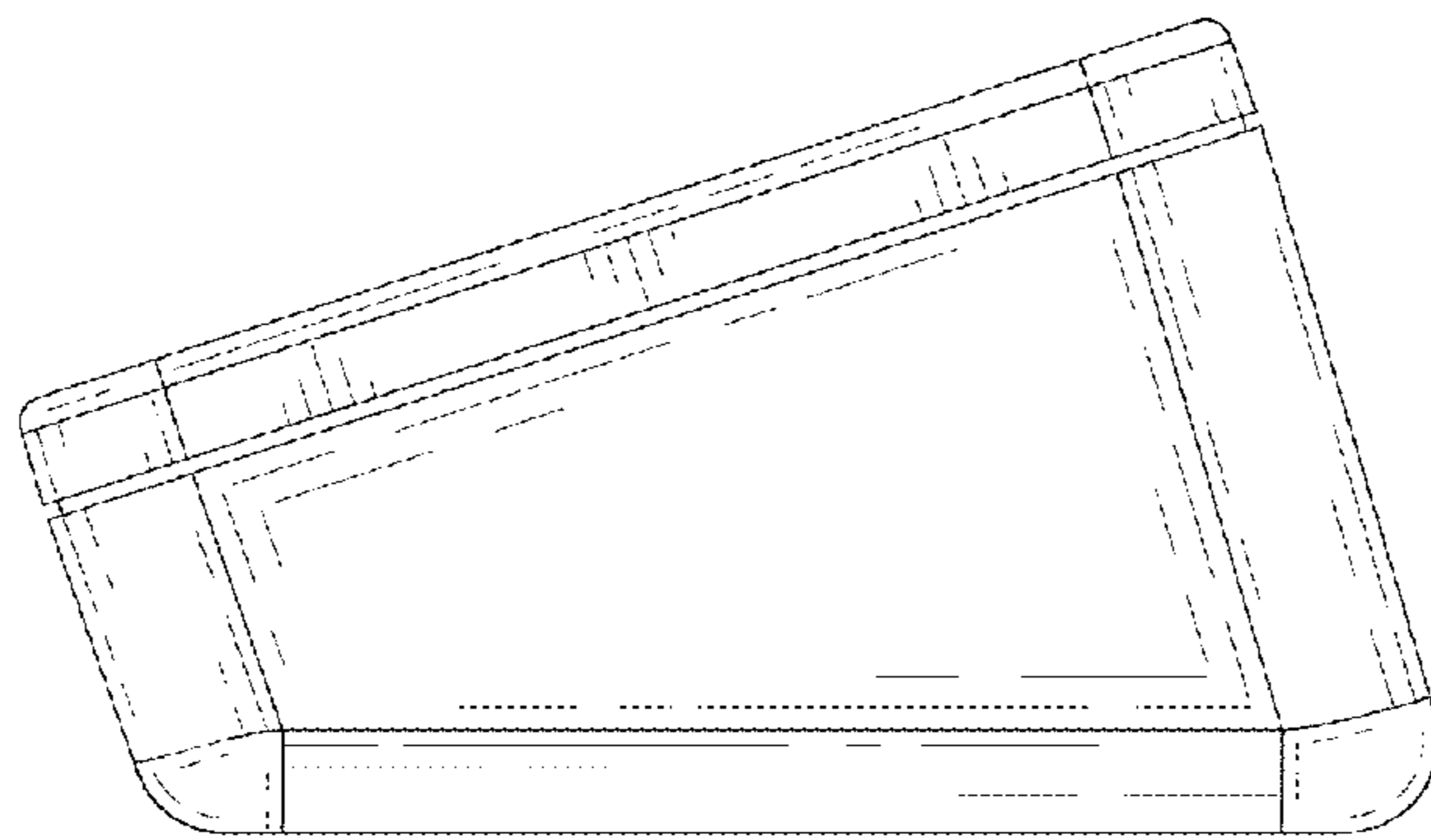


FIG. 5

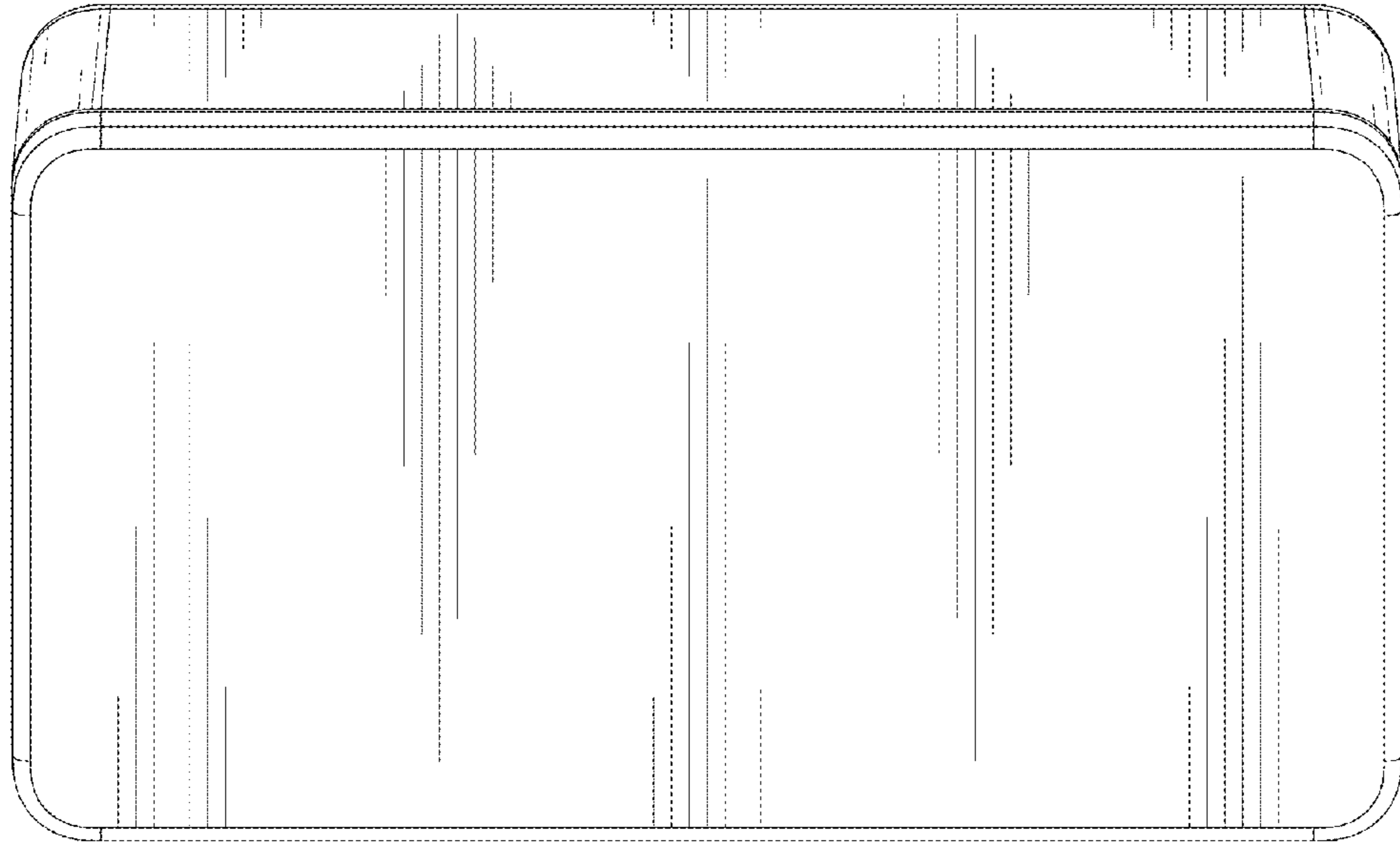


FIG. 6

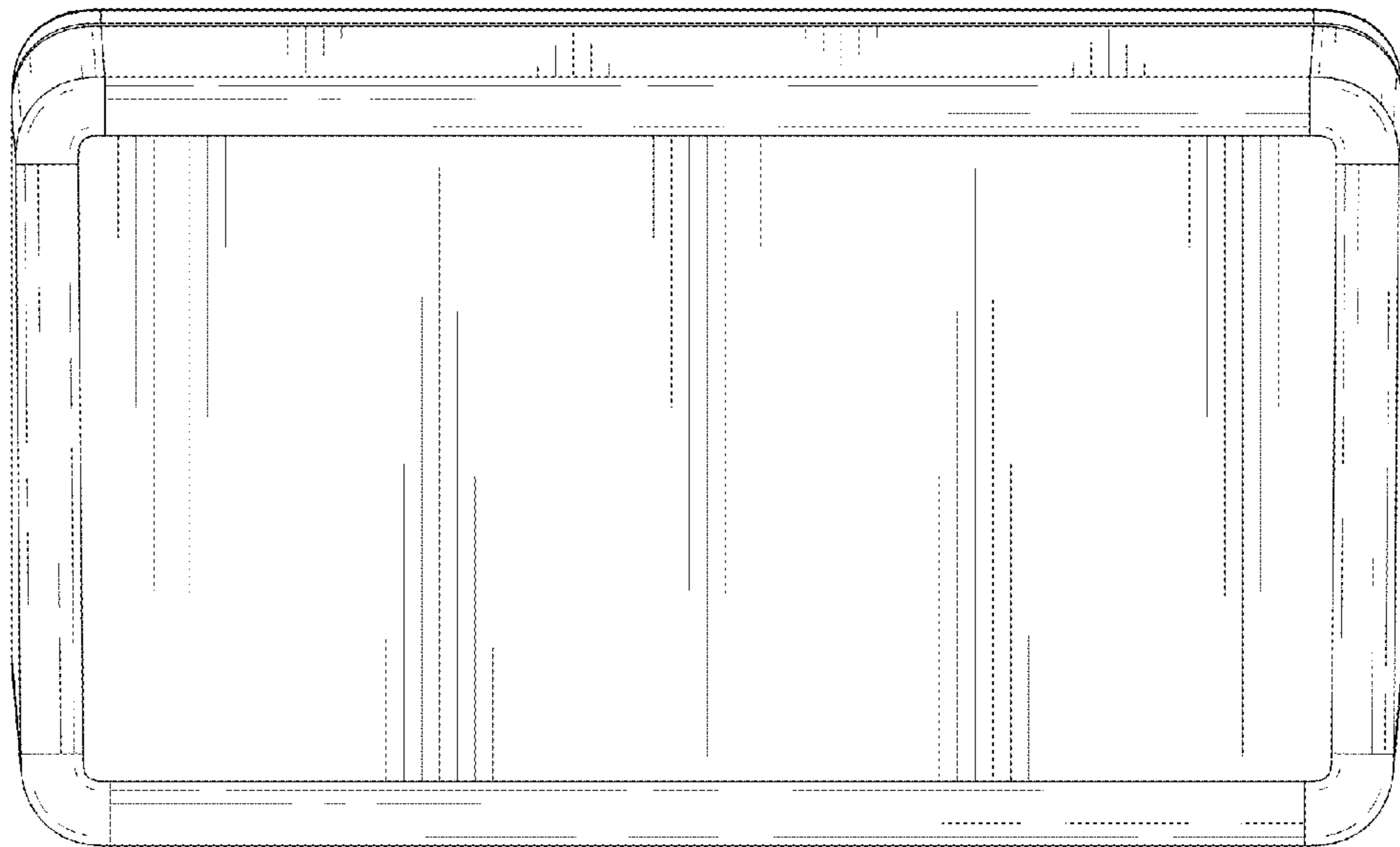


FIG. 7

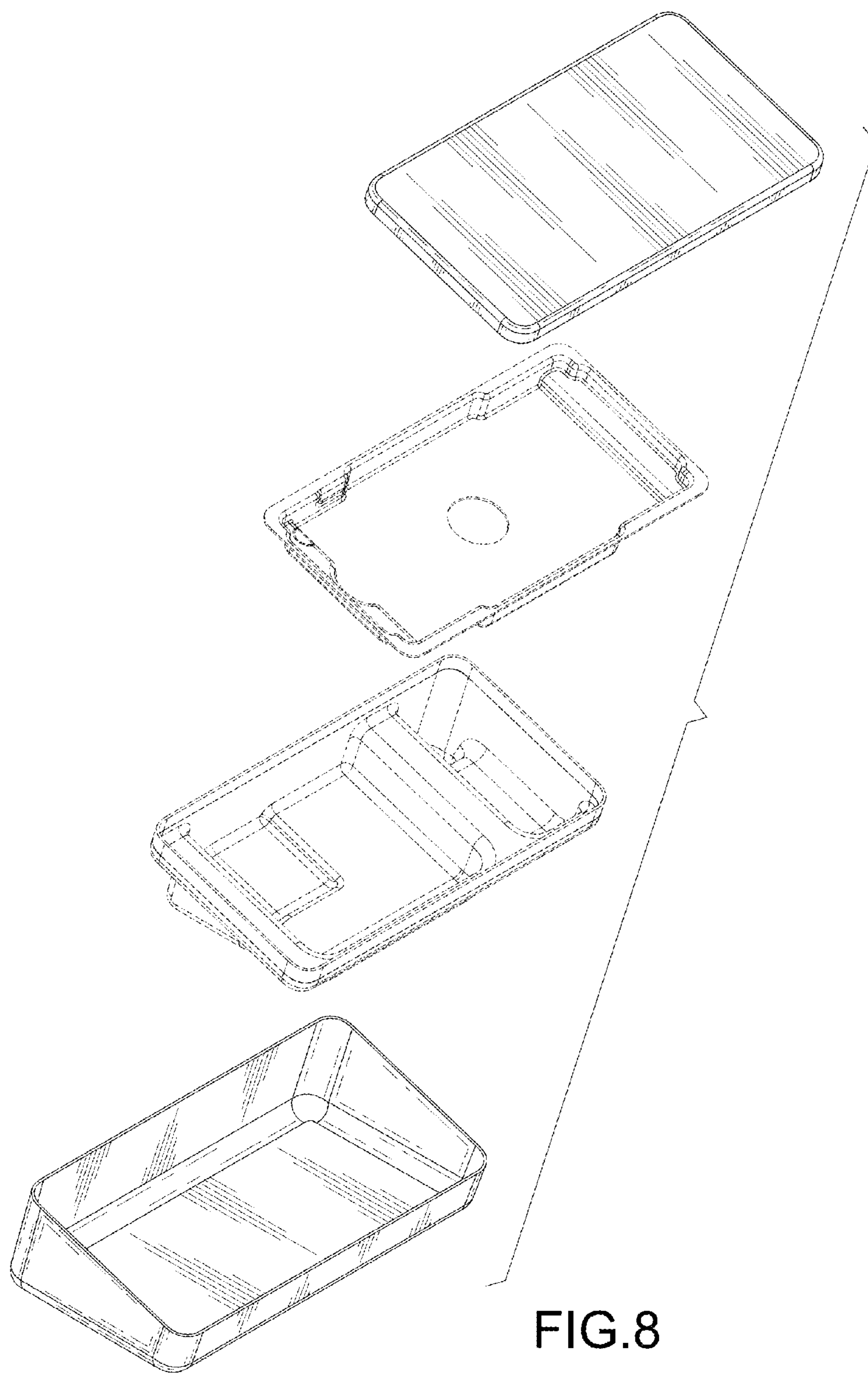


FIG.8