

US00D725461S

(12) **United States Design Patent**
Kopp

(10) **Patent No.:** **US D725,461 S**
(45) **Date of Patent:** **** Mar. 31, 2015**

- (54) **NUT**
- (71) Applicant: **VEGA Grieshaber KG**, Wolfach (DE)
- (72) Inventor: **Thomas Kopp**, Wolfach (DE)
- (73) Assignee: **VEGA Grieshaber KG**, Wolfach (DE)
- (**) Term: **14 Years**
- (21) Appl. No.: **29/491,911**
- (22) Filed: **May 27, 2014**
- (30) **Foreign Application Priority Data**
Dec. 19, 2013 (EM) 002 373 571
- (51) **LOC (10) Cl.** **08-08**
- (52) **U.S. Cl.**
USPC **D8/397**
- (58) **Field of Classification Search**
USPC D8/397, 394, 382, 349, 399, 387, 392;
411/427, 429, 432, 918, 179, 180, 190,
411/327, 531; D23/303; 605/232; 248/154
See application file for complete search history.

D263,792	S	*	4/1982	Frieberg	D8/399
D269,852	S	*	7/1983	Frieberg	D8/399
D273,562	S	*	4/1984	Frieberg	D8/399
D276,310	S	*	11/1984	Frieberg	D8/399
4,571,452	A	*	2/1986	Giubileo	174/77 R
D311,131	S	*	10/1990	Saito	D8/397
5,011,351	A	*	4/1991	Terry	411/144
D397,320	S	*	8/1998	Hoagland, IV	D12/197
6,220,804	B1	*	4/2001	Pamer et al.	411/180
D524,149	S	*	7/2006	Kim	D8/397
7,278,341	B1	*	10/2007	Novin et al.	81/121.1
7,331,874	B2	*	2/2008	Lin	470/41
D568,149	S	*	5/2008	Riedel	D8/397
D575,634	S	*	8/2008	Lin	D8/397
D576,028	S	*	9/2008	Lin	D8/397
D582,763	S	*	12/2008	Riedel et al.	D8/397
D602,349	S	*	10/2009	Andersson	D8/399
D637,901	S	*	5/2011	Hinton et al.	D8/397
2002/0136617	A1	*	9/2002	Imahigashi	411/533
2004/0042872	A1	*	3/2004	Ward et al.	411/181
2007/0243040	A1	*	10/2007	Chen	411/161

* cited by examiner

Primary Examiner — Cynthia Underwood
(74) Attorney, Agent, or Firm — Todd L. Juneau

(57) **CLAIM**
I claim the ornamental design for a nut, as shown.

DESCRIPTION

FIG. 1 is a top perspective view of a nut, showing my new design;
FIG. 2 is another top perspective view of FIG. 1;
FIG. 3 is a bottom perspective view of FIG. 1;
FIG. 4 is a top view of FIG. 1;
FIG. 5 is a bottom view of FIG. 1;
FIG. 6 is a side view of FIG. 1, the opposite side being the same; and,
FIG. 7 is another side view of FIG. 1, the opposite side being the same.

1 Claim, 7 Drawing Sheets

- (56) **References Cited**
U.S. PATENT DOCUMENTS
- | | | | | | | |
|-----------|---|---|---------|-----------------|-------|---------|
| D26,801 | S | * | 3/1897 | Spear | | D8/399 |
| D32,218 | S | * | 2/1900 | Dougherty | | D8/399 |
| D32,492 | S | * | 4/1900 | Dickason | | D8/399 |
| D43,713 | S | * | 3/1913 | Campbell | | D8/397 |
| 2,001,956 | A | * | 5/1935 | England | | 470/42 |
| 2,037,586 | A | * | 4/1936 | Olson | | 411/188 |
| 2,101,514 | A | * | 12/1937 | Schmaus | | 285/46 |
| 3,390,713 | A | * | 7/1968 | Gutshall | | 411/154 |
| D233,138 | S | * | 10/1974 | Vogel | | D9/453 |
| 4,134,438 | A | * | 1/1979 | Frieberg et al. | | 411/163 |
| D263,679 | S | * | 4/1982 | Frieberg | | D8/399 |
| D263,791 | S | * | 4/1982 | Frieberg | | D8/399 |

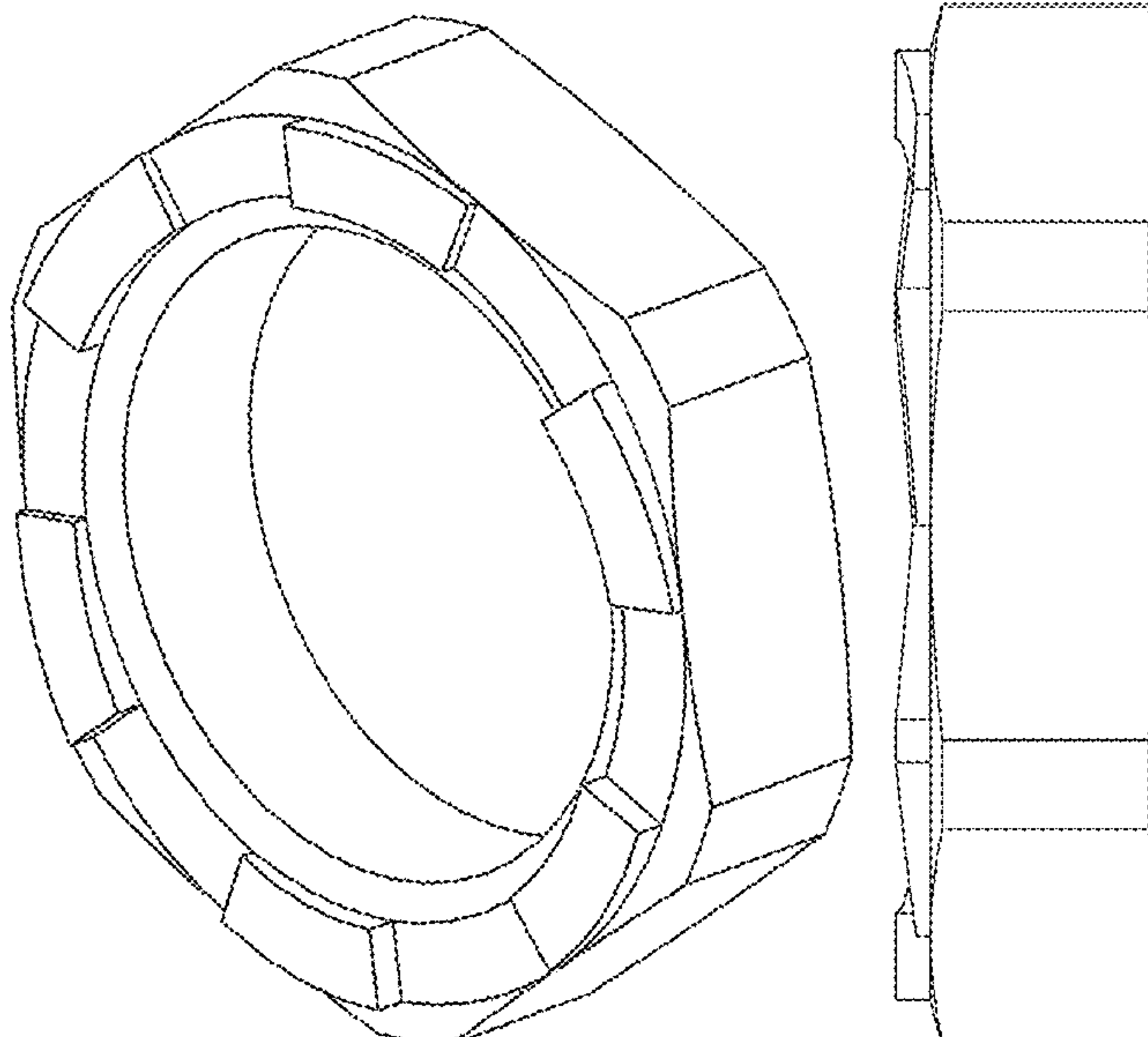


FIG. 1

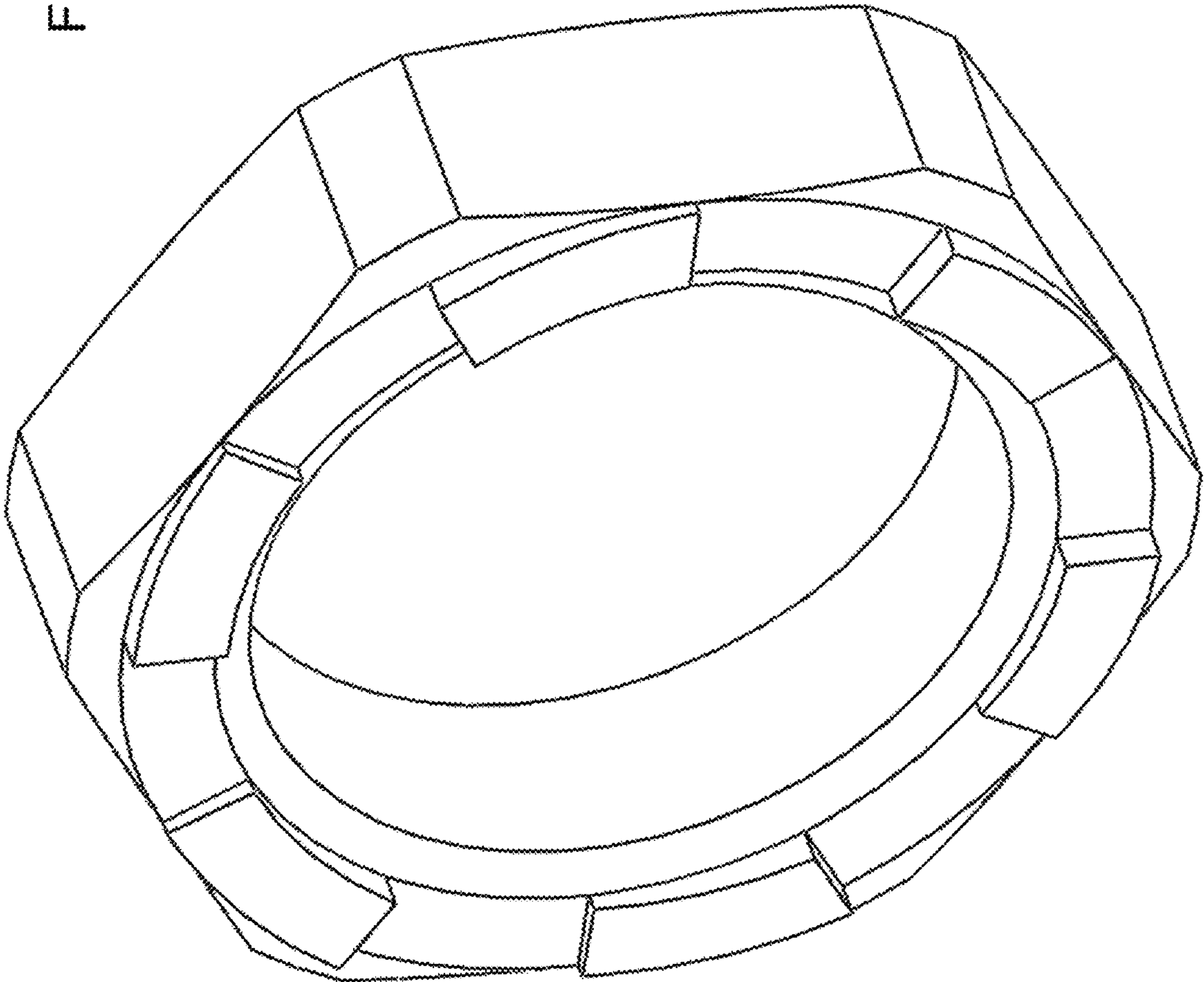


FIG. 2

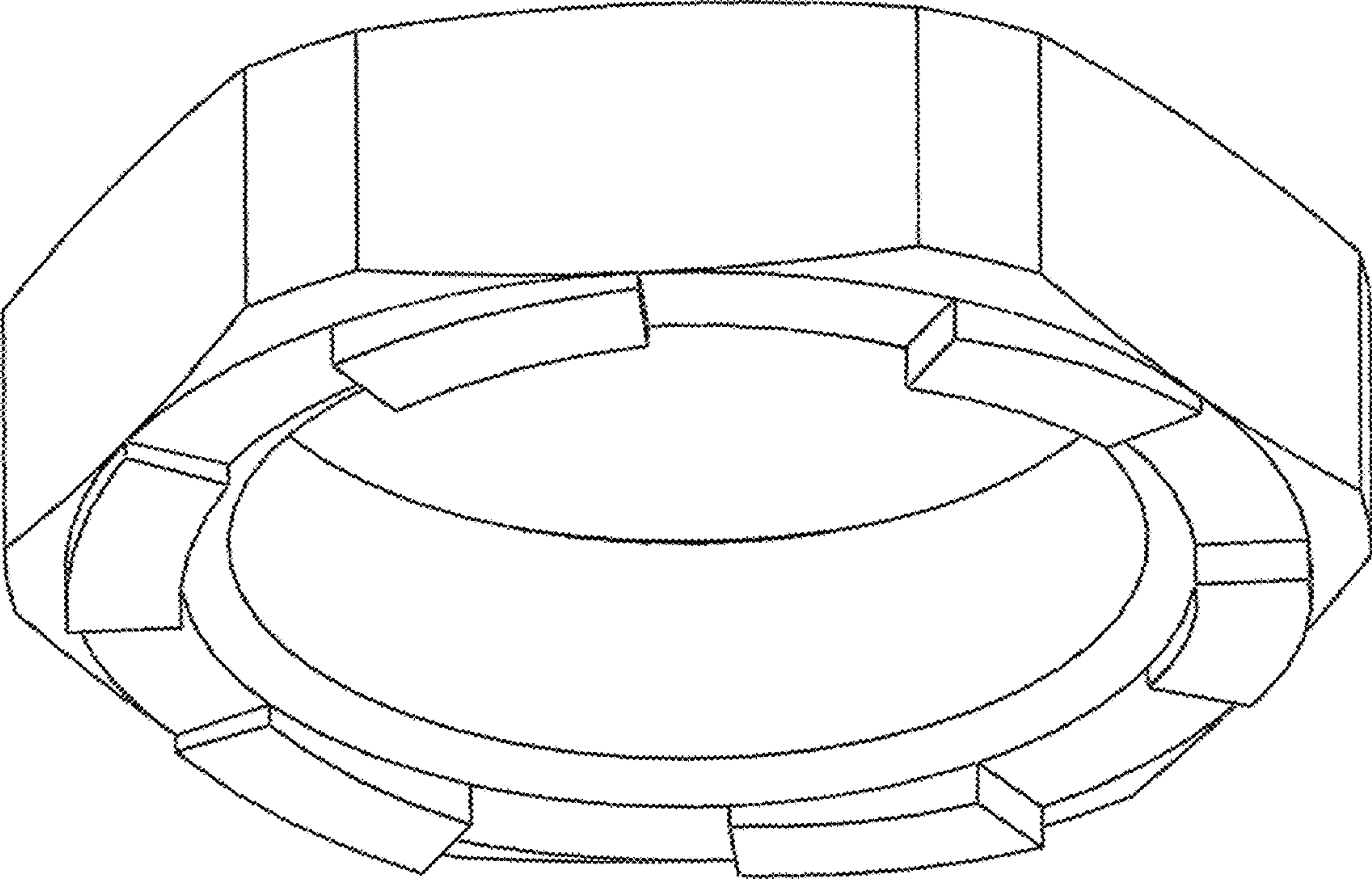


FIG. 3

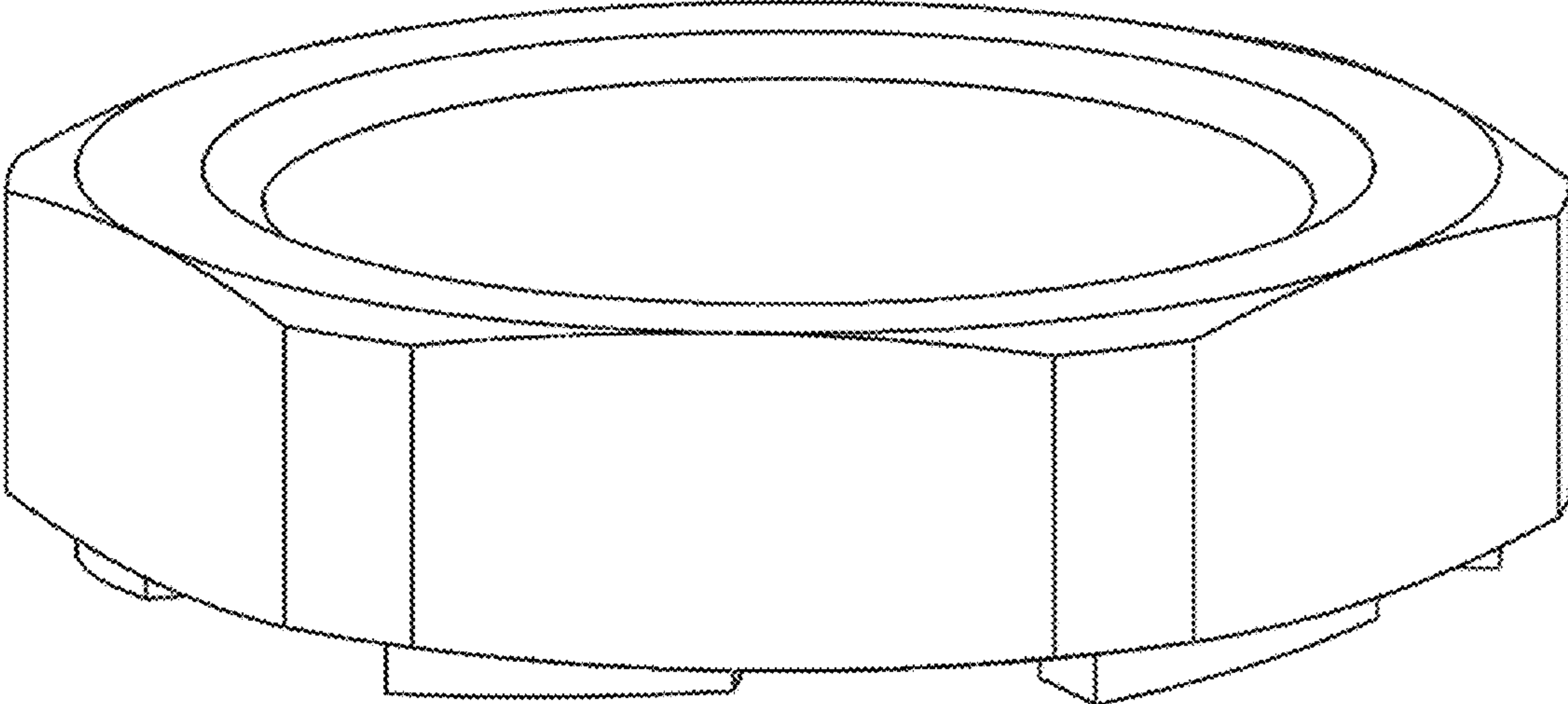


FIG. 4

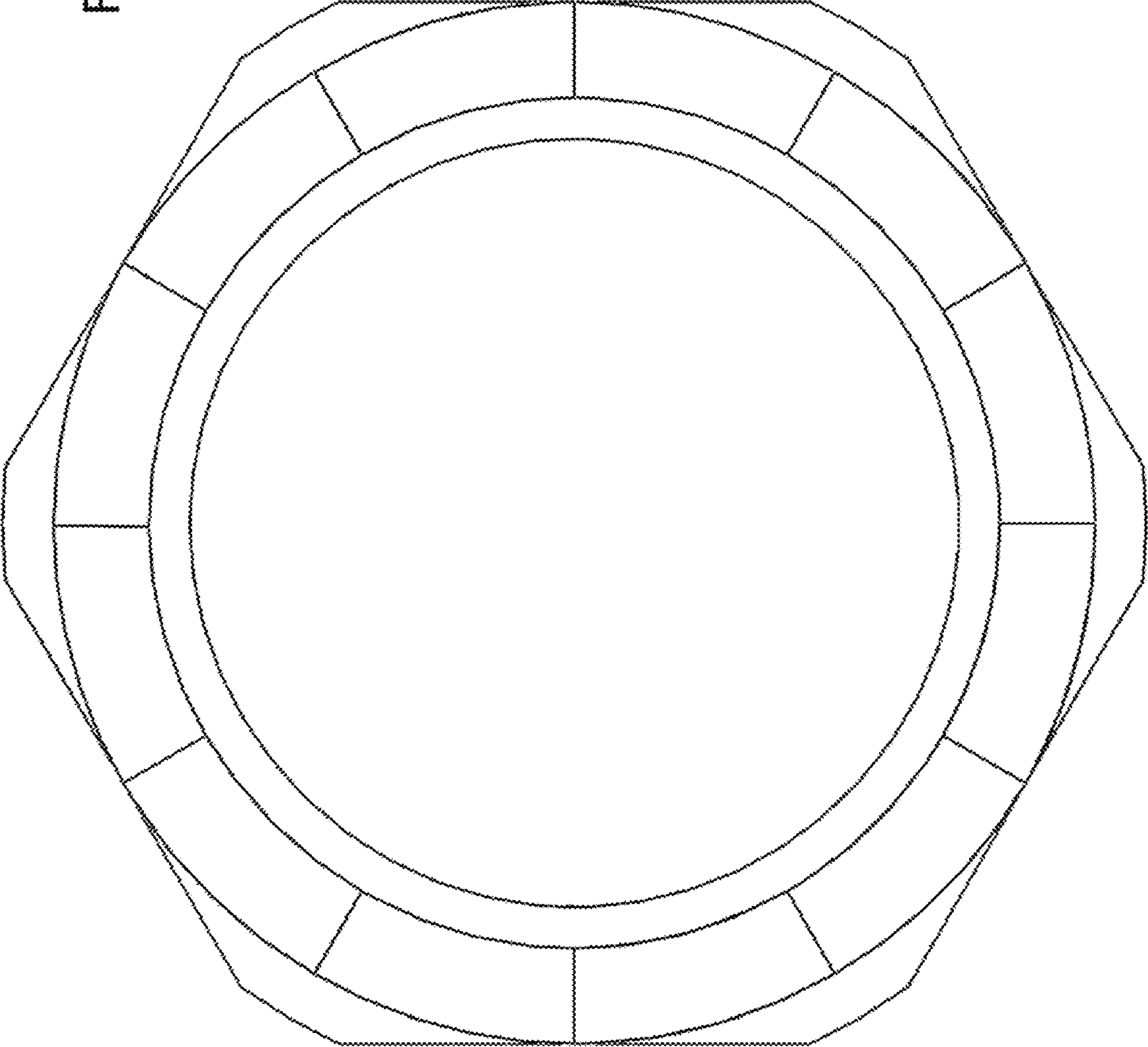


FIG. 5

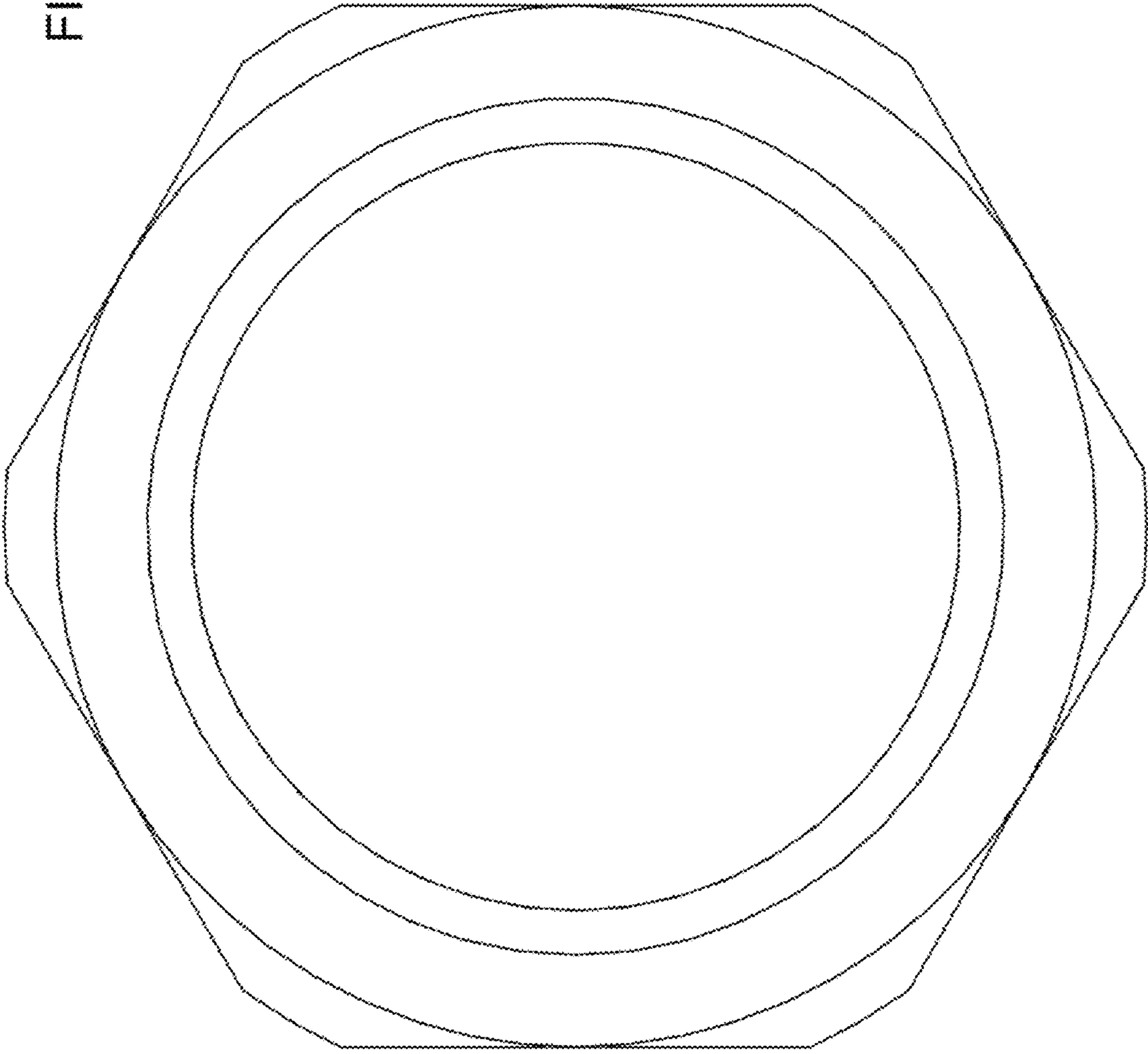


FIG. 6

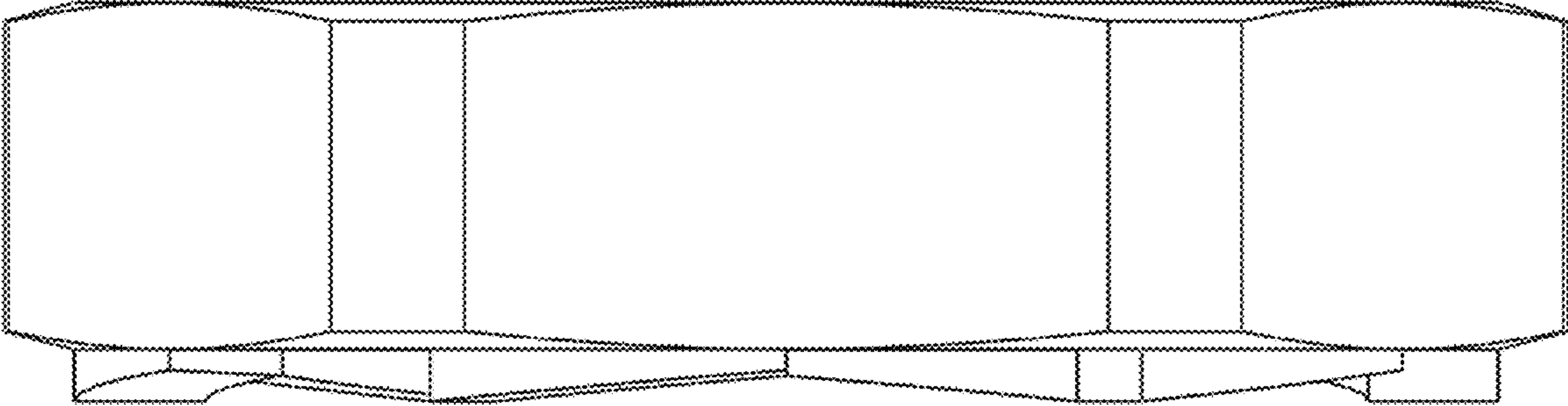


FIG. 7

