



US00D725460S

(12) **United States Design Patent**
Parham

(10) **Patent No.:** **US D725,460 S**
(45) **Date of Patent:** **** Mar. 31, 2015**

(54) **CONCRETE REINFORCEMENT RETAINING CHAIR**

(71) Applicant: **Kerry Parham**, Portland, OR (US)

(72) Inventor: **Kerry Parham**, Portland, OR (US)

(73) Assignee: **BIP Company, LLC**, Portland, OR (US)

(**) Term: **14 Years**

(21) Appl. No.: **29/458,916**

(22) Filed: **Jun. 24, 2013**

(51) **LOC (10) Cl.** **08-05**

(52) **U.S. Cl.**
USPC **D8/380**

(58) **Field of Classification Search**
USPC D8/380, 349, 381, 373, 367, 354, 363,
D8/355, 382, 374; 52/4, 79.2, 93.1, 260,
52/649.1, 649.2, 296; 119/705; 482/16;
D23/259; D12/160; D6/702; D25/133
See application file for complete search history.

(56) **References Cited**

U.S. PATENT DOCUMENTS

D227,218 S *	6/1973	Rastocny	D8/380
D273,712 S *	5/1984	Ahlqvist	D25/133
D443,197 S *	6/2001	Padrun	D8/354
D454,776 S *	3/2002	Padrun	D8/354
D464,557 S *	10/2002	Alejandro	D8/349
D480,291 S *	10/2003	Sorkin	D8/354
D482,262 S *	11/2003	Sorkin	D8/354

D483,246 S *	12/2003	McPherson et al.	D8/354
D500,665 S *	1/2005	Sorkin	D8/354
D543,836 S *	6/2007	Sorkin	D8/354
D567,634 S *	4/2008	Sorkin	D8/354
D649,434 S *	11/2011	Lalancette et al.	D8/354

* cited by examiner

Primary Examiner — Robert M Spear

Assistant Examiner — Eliza Bennett-Hattan

(74) *Attorney, Agent, or Firm* — Howard Russell

(57) **CLAIM**

The ornamental design for a concrete reinforcement retaining chair, as shown and described.

DESCRIPTION

FIG. 1 is an illustrative view of a concrete reinforcement retaining chair;

FIG. 2 is an alternate illustrative view of the concrete reinforcement retaining chair shown in FIG. 1;

FIG. 3 is a right side elevation view of the concrete reinforcement retaining chair of FIG. 1; a left side elevation view of the concrete reinforcement retaining chair of FIG. 1 (not illustrated) is a mirror image of the right side elevation;

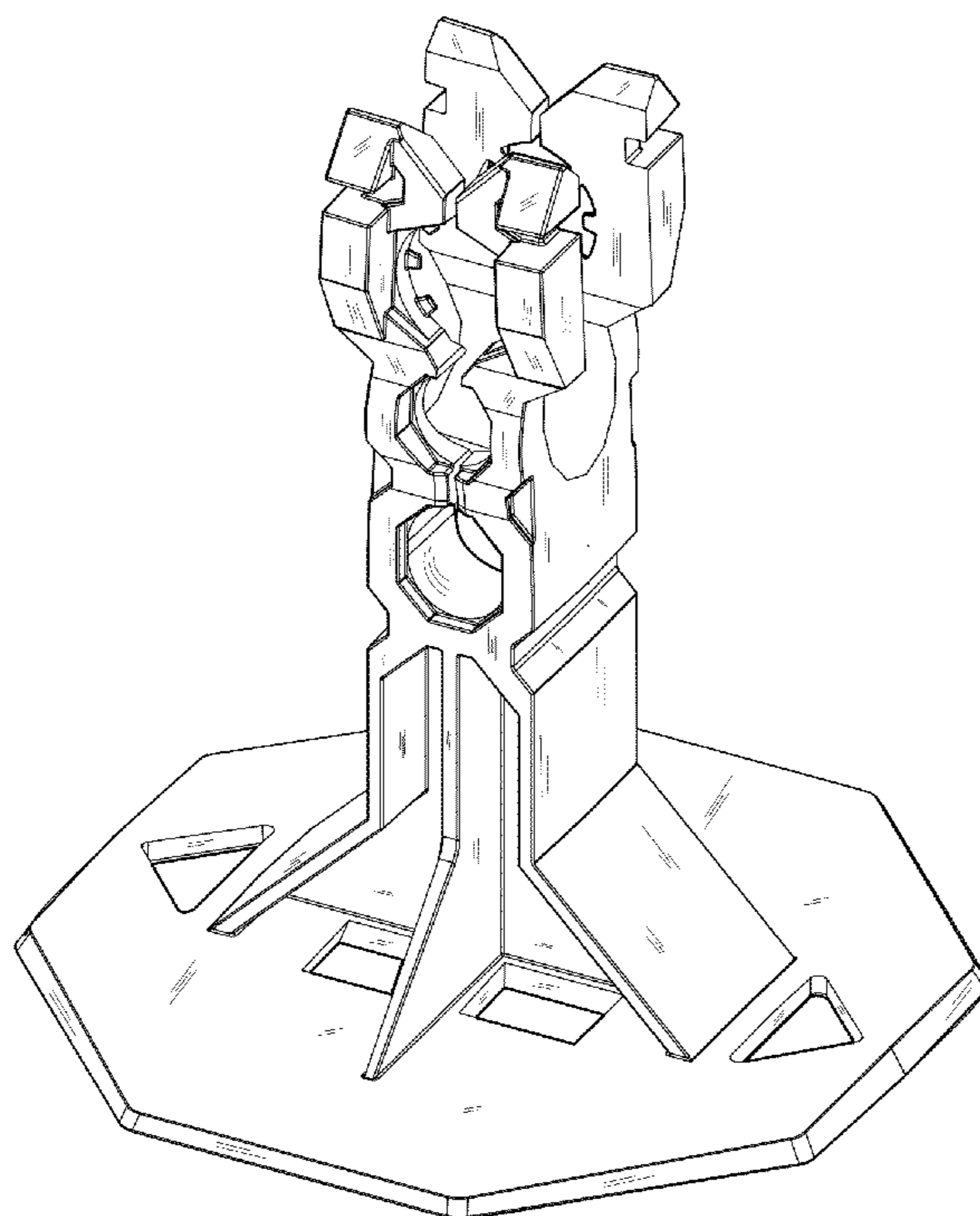
FIG. 4 is a front elevation view of the concrete reinforcement retaining chair of FIG. 1; a back side elevation view of the concrete reinforcement retaining chair of FIG. 1 (not illustrated) is a mirror image of the front elevation view;

FIG. 5 is a bottom elevation view of the concrete reinforcement retaining chair of FIG. 1; and,

FIG. 6 is a top elevation view of the concrete reinforcement retaining chair of FIG. 1.

The broken lines in the drawings depict environmental subject matter only and form no part of the claimed design.

1 Claim, 6 Drawing Sheets



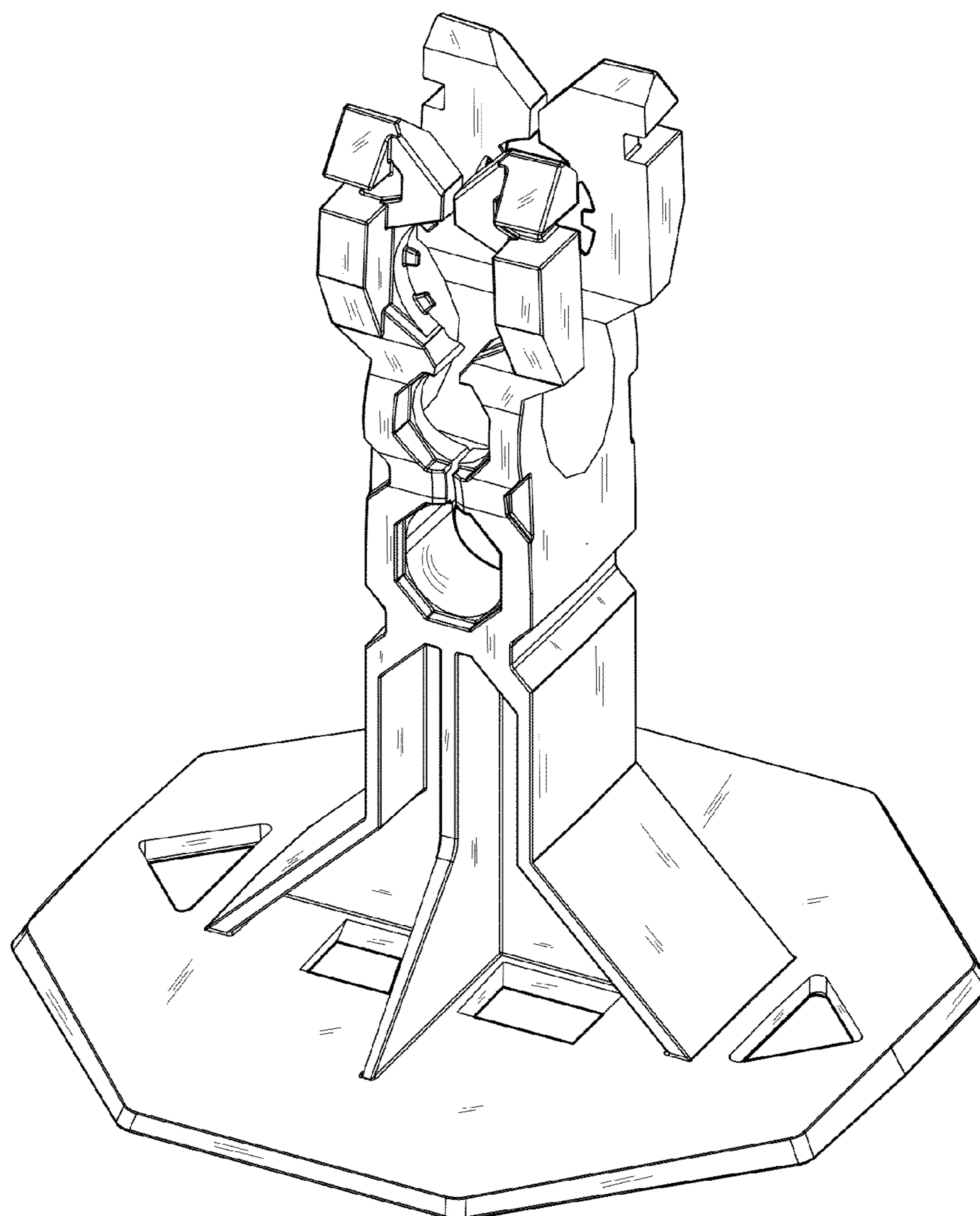


FIGURE 1

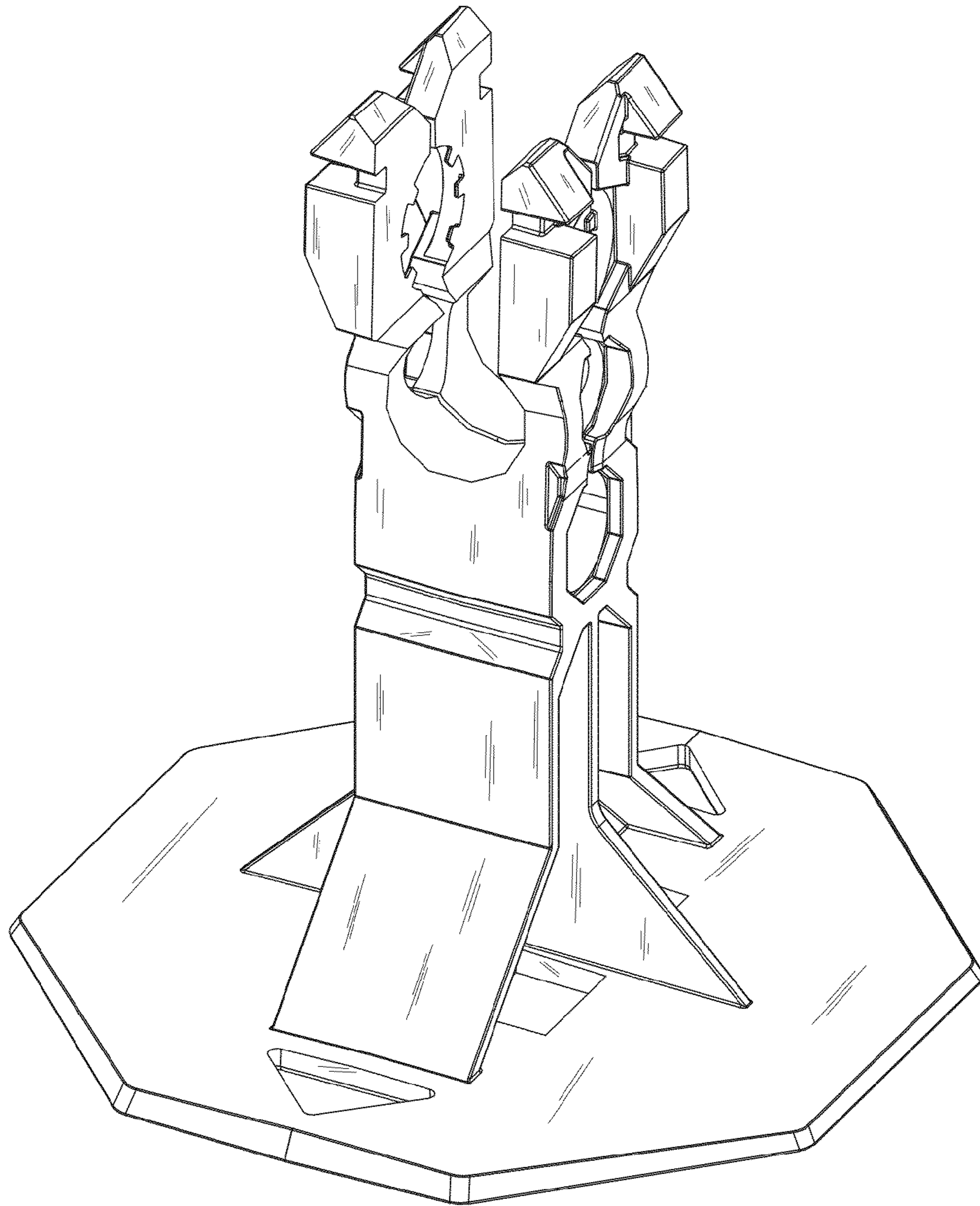


FIGURE 2

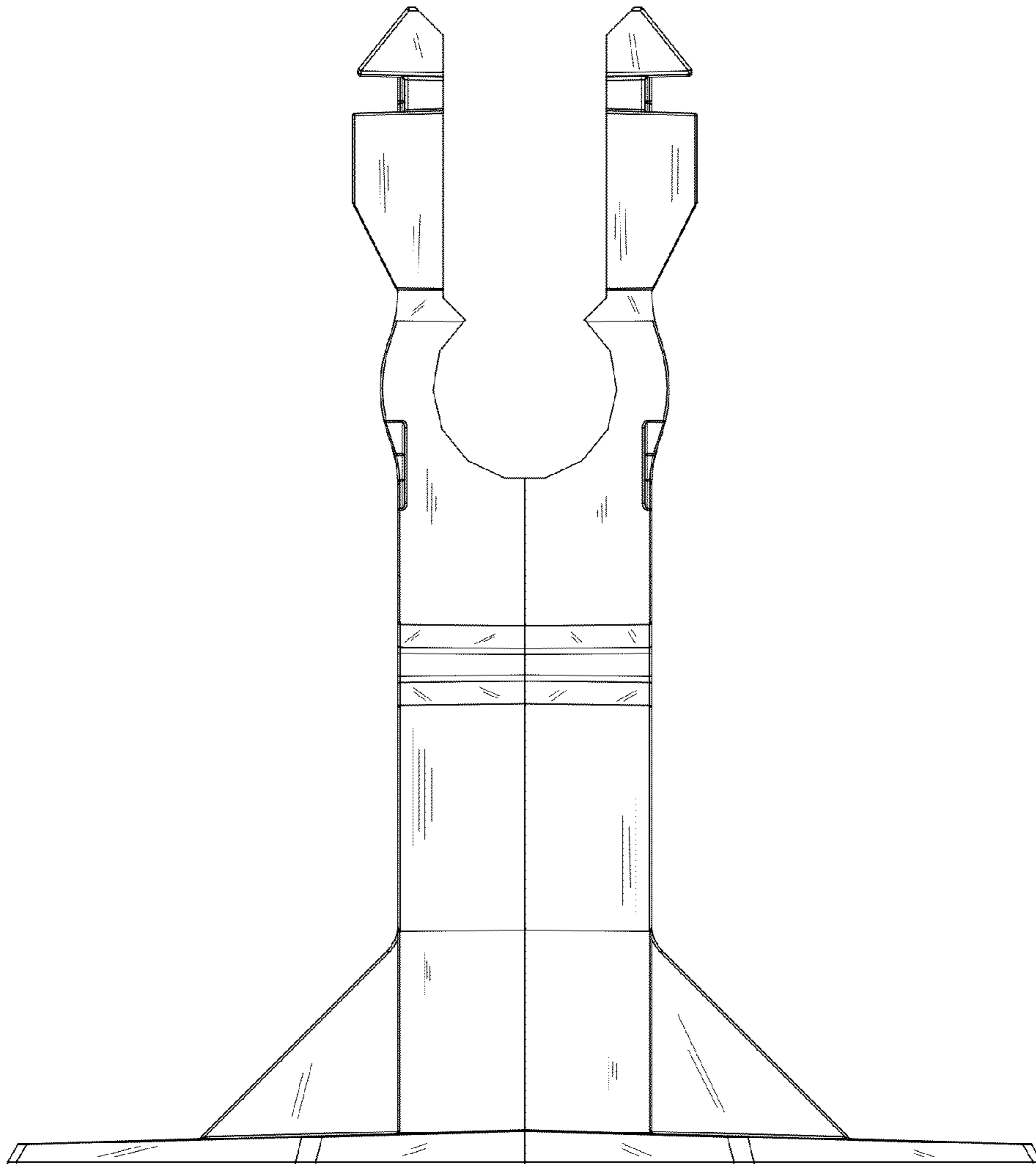


FIGURE 3

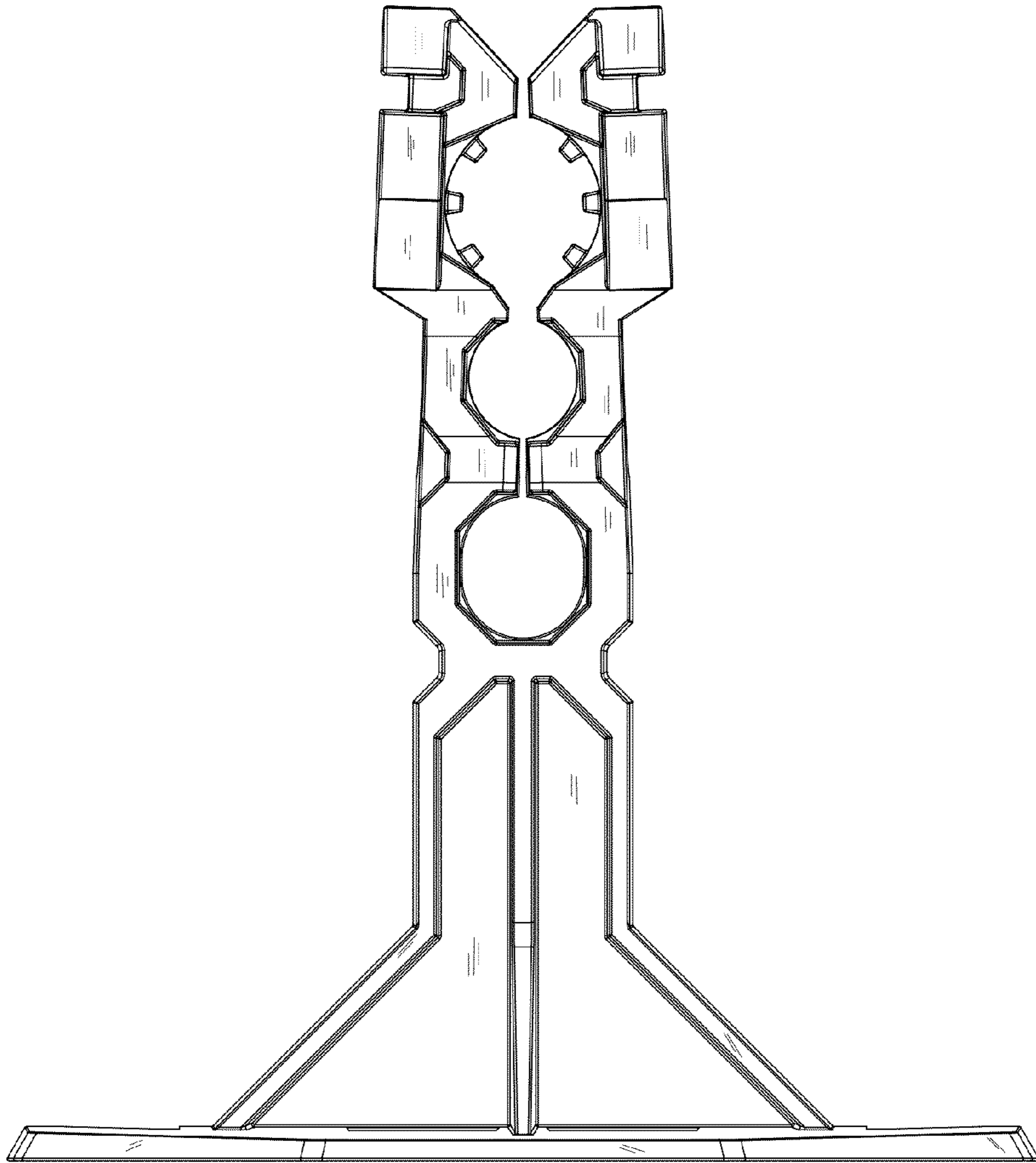


FIGURE 4

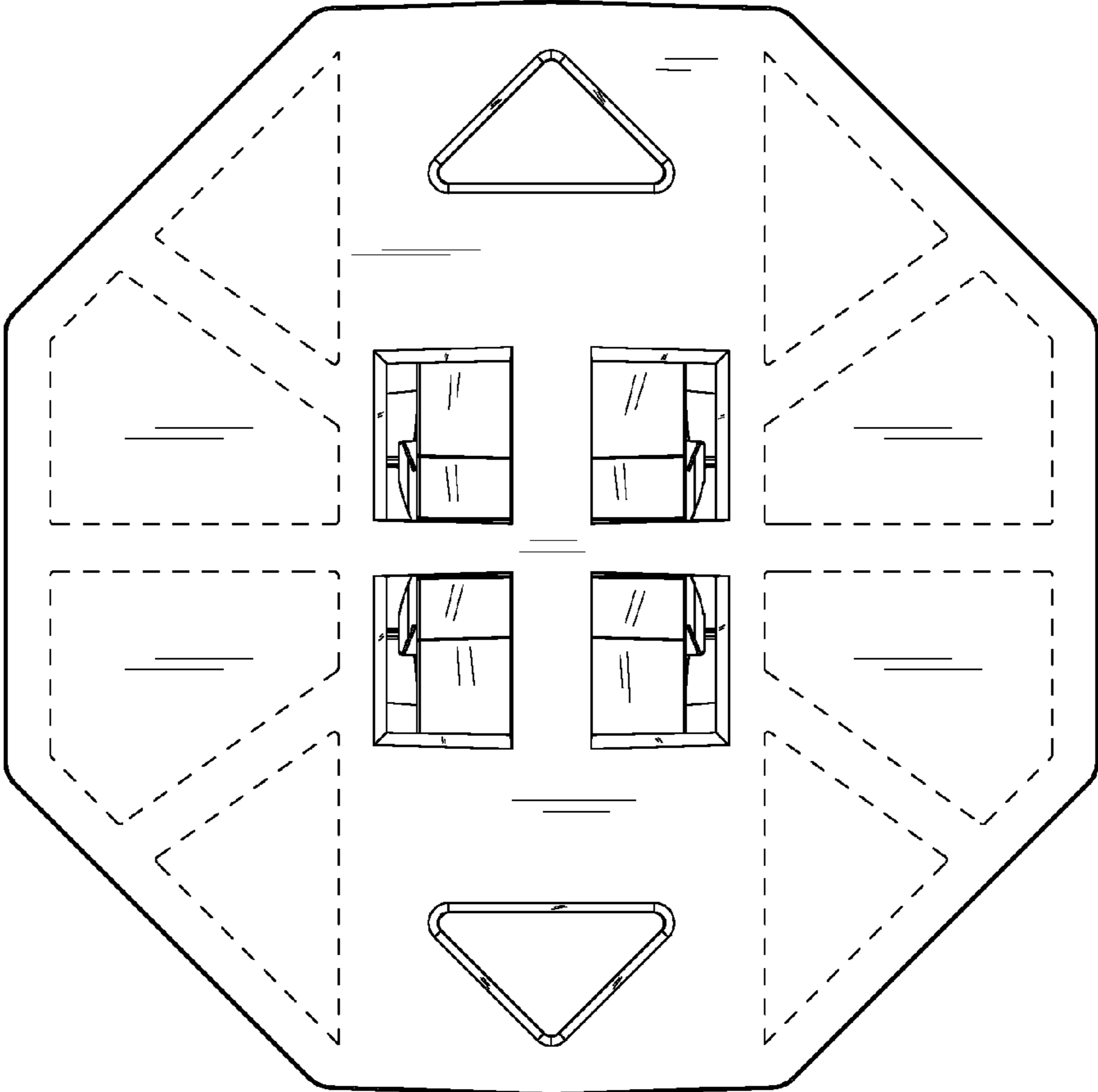


FIGURE 5

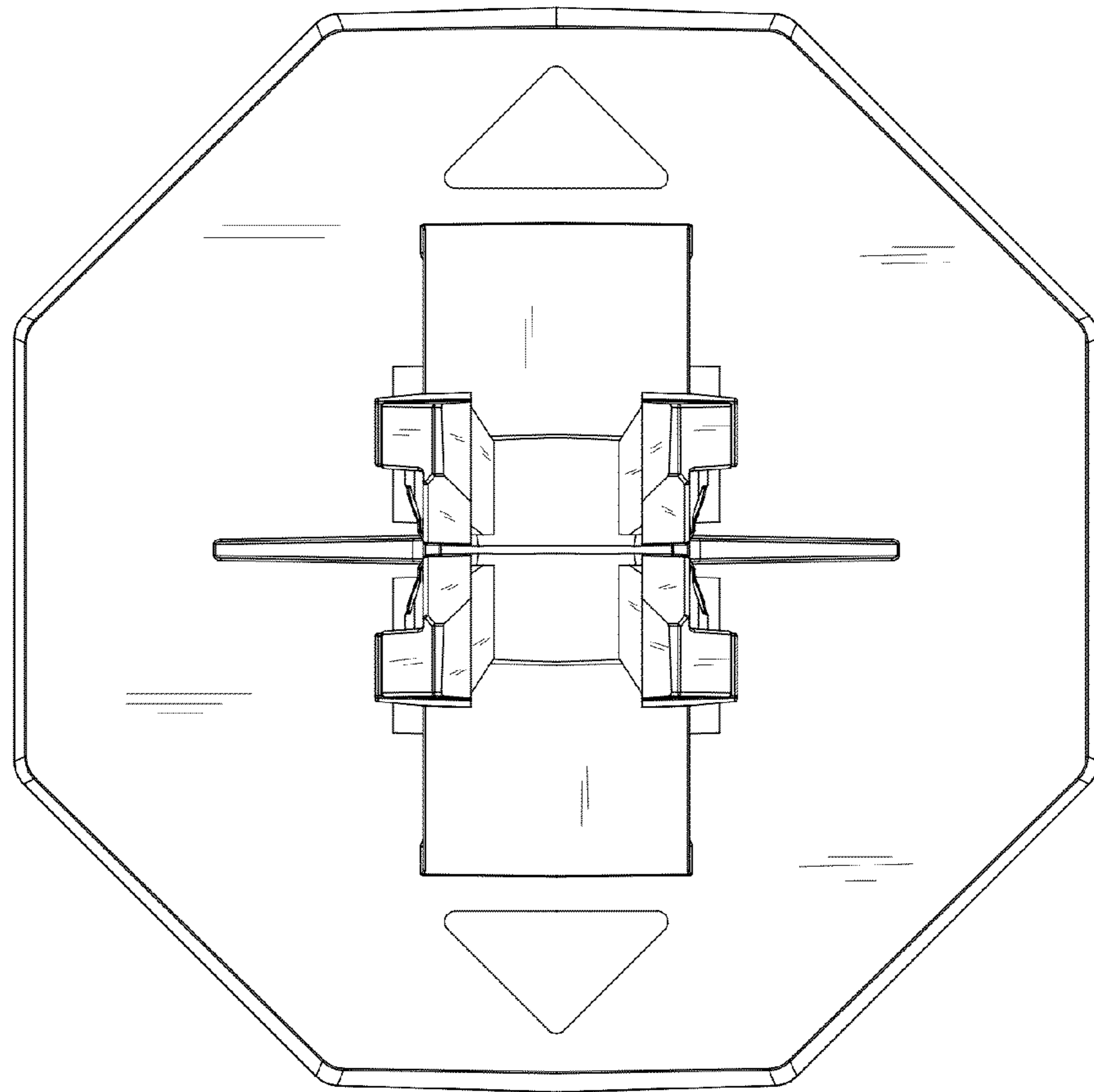


FIGURE 6