

US00D725457S

(12) **United States Design Patent**
Sprague

(10) **Patent No.:** **US D725,457 S**
(45) **Date of Patent:** **** Mar. 31, 2015**

- (54) **D-PROFILE DOOR PULL**
- (75) Inventor: **Gary Sprague**, Los Angeles, CA (US)
- (73) Assignee: **C. R. Laurence Co., Inc.**, Los Angeles, CA (US)
- (**) Term: **14 Years**
- (21) Appl. No.: **29/422,114**
- (22) Filed: **May 16, 2012**
- (51) **LOC (10) Cl.** **08-06**
- (52) **U.S. Cl.**
USPC **D8/315**
- (58) **Field of Classification Search**
USPC D8/300, 315-319, 326, 331, 138, 149;
D25/48, 3; 16/412, 110.1, 436, 110 R,
16/DIG. 5, DIG. 6; 292/DIG. 27, 336.3,
292/251.5, 144; 74/551.1
See application file for complete search history.

D332,905	S	*	2/1993	Dannenberg	D8/321
D377,596	S	*	1/1997	Simon et al.	D8/315
5,615,918	A	*	4/1997	Ferrell	292/92
D384,569	S	*	10/1997	Simon et al.	D8/305
D444,241	S	*	6/2001	Horgan, Jr.	D25/48.3
D448,272	S	*	9/2001	Miller	D8/320
6,966,101	B2	*	11/2005	Chiang	16/412
7,347,461	B2	*	3/2008	Sprague	292/336.3
7,849,718	B2	*	12/2010	Ambrass	70/92
D658,029	S	*	4/2012	Fulkerson et al.	D8/307
2005/0060844	A1	*	3/2005	Chiang	16/412
2006/0026799	A1	*	2/2006	Vanderpool et al.	16/412
2006/0162126	A1	*	7/2006	Kreyenborg	16/412

* cited by examiner

Primary Examiner — Mark Goodwin
(74) *Attorney, Agent, or Firm* — Cislo & Thomas, LLP

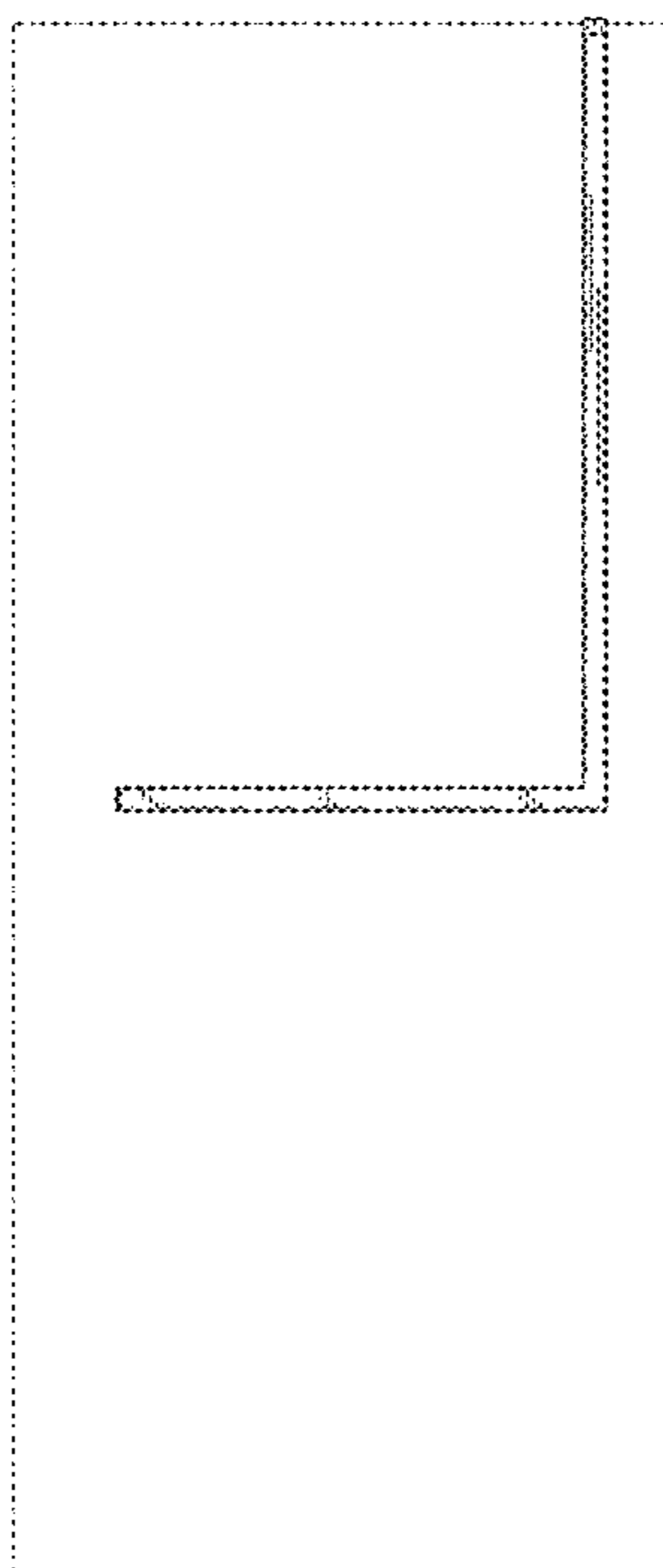
(57) **CLAIM**
The ornamental design for a D-profile door pull, as shown and described.

DESCRIPTION

FIG. 1 is a front view of a D-profile door pull showing my new design;
FIG. 2 is a right side view of the door pull of FIG. 1;
FIG. 3 is a top plan view of the door pull of FIG. 1;
FIG. 4 is front perspective view of the door pull of FIG. 1; and,
FIG. 5 is a partial perspective view of the lower right corner of the door pull of FIG. 1.
The broken line showing of a door in FIGS. 1-3 is included for the purpose of illustrating environmental structure only and forms no part of the claimed design.

1 Claim, 4 Drawing Sheets

- (56) **References Cited**
U.S. PATENT DOCUMENTS
- | | | | | | | |
|-----------|---|---|---------|-------------|-------|-----------|
| 1,145,471 | A | * | 7/1915 | Dobrick | | 16/436 |
| D226,556 | S | * | 3/1973 | Horgan, Jr. | | D25/48.3 |
| D226,654 | S | * | 4/1973 | Horgan, Jr. | | D25/48.3 |
| D229,551 | S | * | 12/1973 | Horgan, Jr. | | D25/48.3 |
| D267,274 | S | * | 12/1982 | Horgan, Jr. | | D25/48.3 |
| D267,275 | S | * | 12/1982 | Horgan, Jr. | | D25/48.3 |
| D267,276 | S | * | 12/1982 | Horgan, Jr. | | D25/48.3 |
| 4,366,974 | A | * | 1/1983 | Horgan, Jr. | | 292/336.3 |
| 4,895,399 | A | * | 1/1990 | Horgan, Jr. | | 292/92 |
| D315,488 | S | * | 3/1991 | Tremonti | | D8/316 |
| D320,337 | S | * | 10/1991 | Tye et al. | | D8/319 |



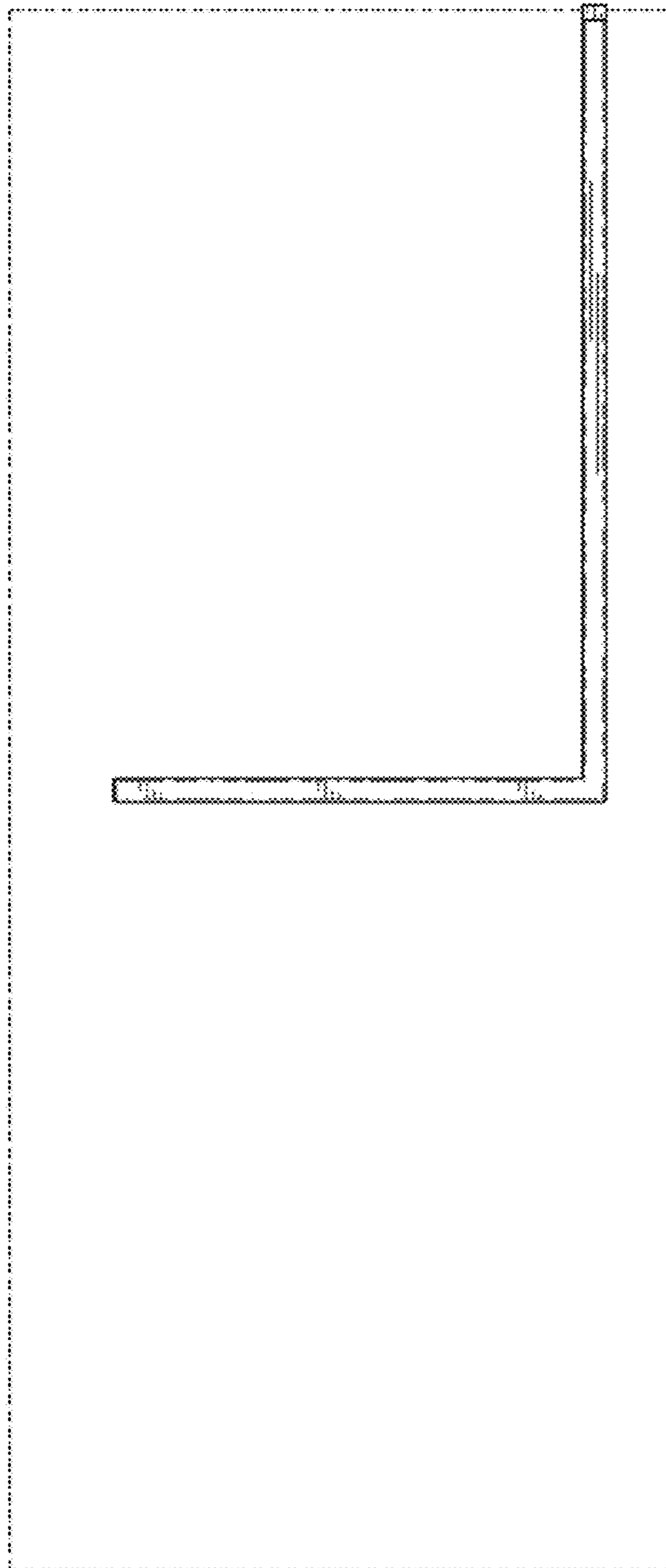


FIG. 1

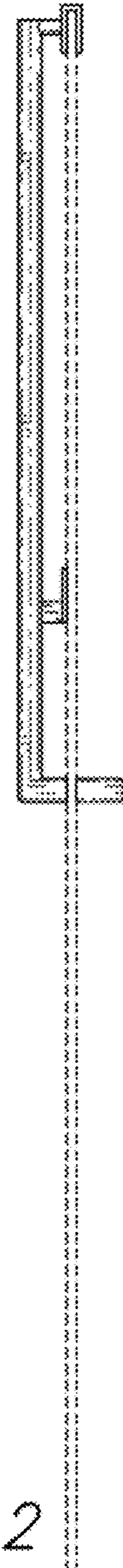


FIG. 2

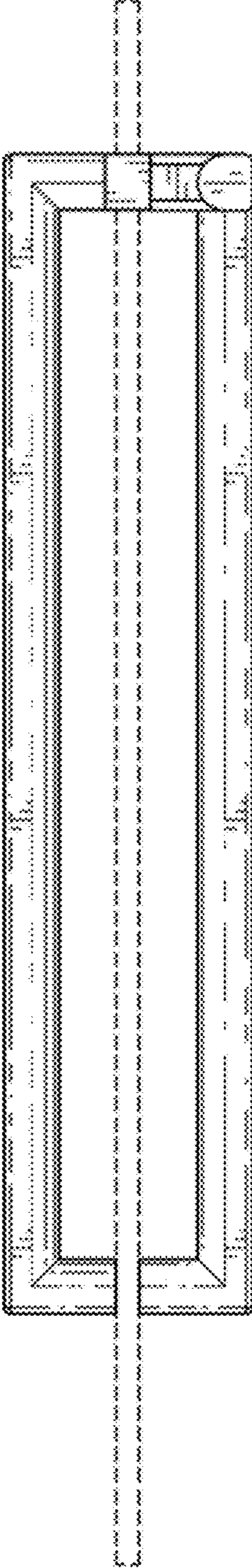


FIG. 3

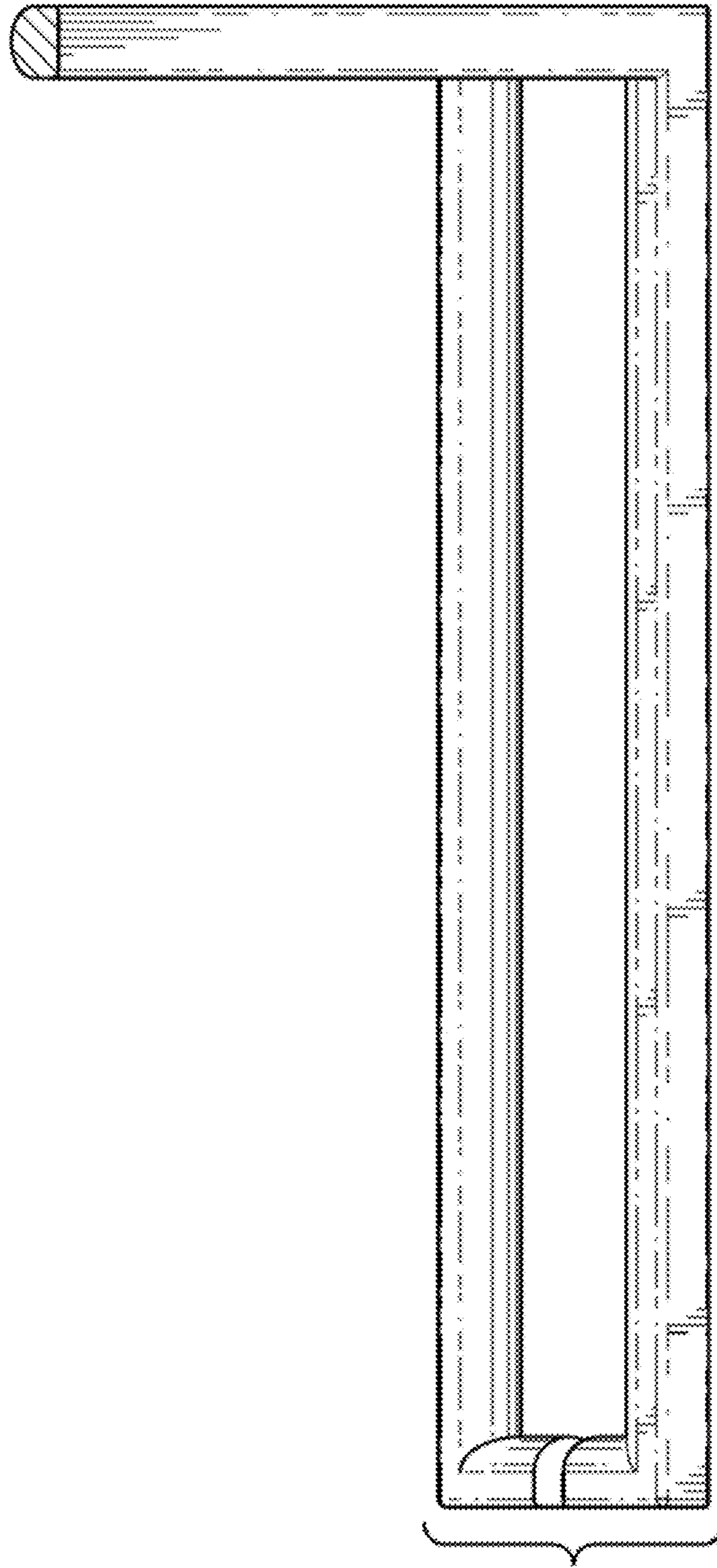


FIG. 4

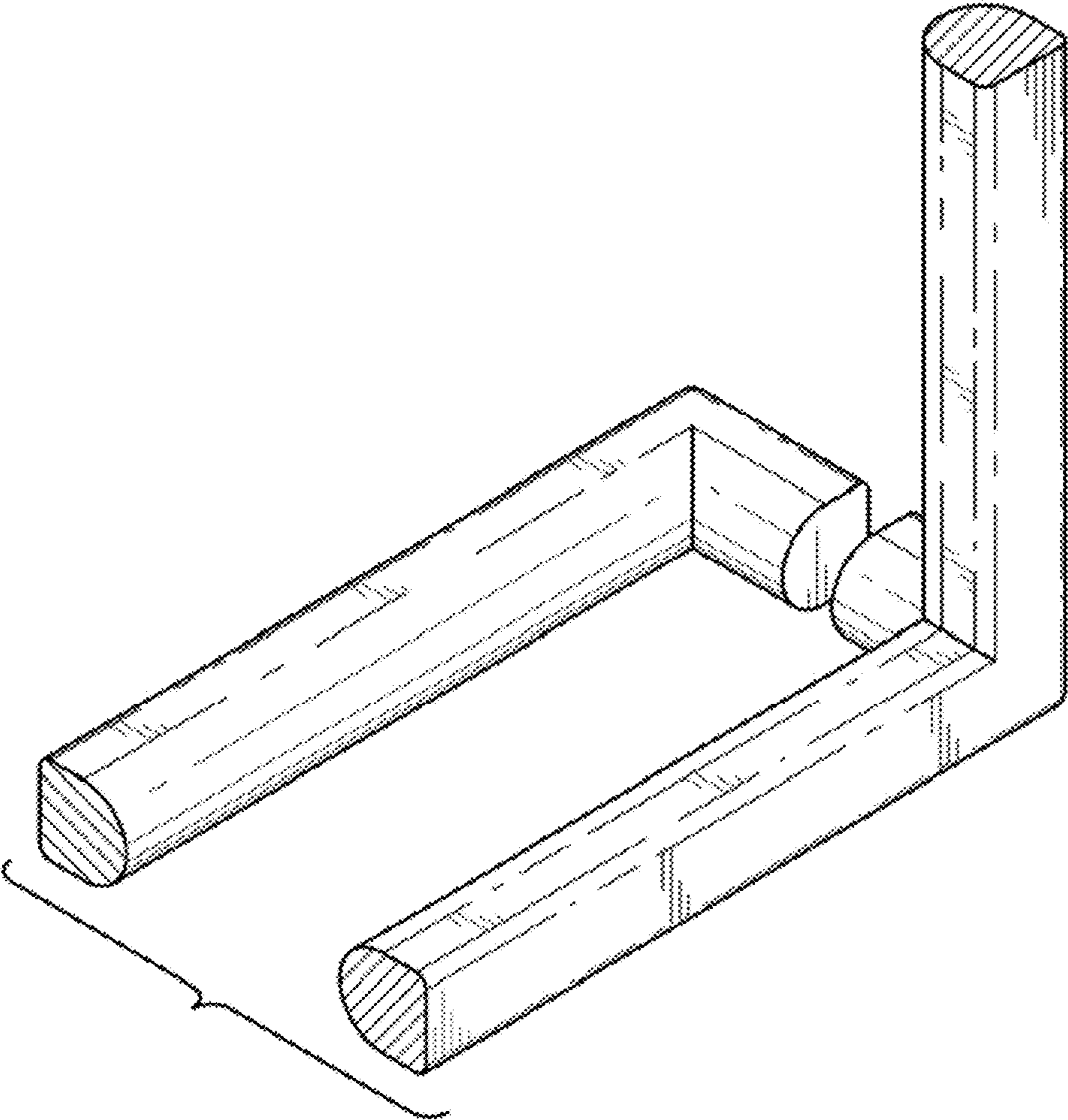


FIG. 5