



US00D725453S

(12) **United States Design Patent**  
**Lodato et al.**

(10) **Patent No.:** **US D725,453 S**  
(45) **Date of Patent:** **\*\* Mar. 31, 2015**

(54) **BLADE SHARPENER HOUSING**

(56) **References Cited**

(71) Applicant: **American Learning Systems, Inc.**,  
Plantation, FL (US)

(72) Inventors: **Franco Lodato**, Weston, FL (US);  
**Massimo Salafia**, Plantation, FL (US);  
**Mark Rumsey**, Murrieta, CA (US);  
**Sebastian Albamonte**, Weston, FL (US);  
**Samantha Bishamber**, Lauderhill, FL  
(US); **Sergio Cabrejo**, Pembroke Pines,  
FL (US); **Kendrick Cancio**, Pembroke  
Pines, FL (US); **Danielle Colson**,  
Pembroke Pines, FL (US); **Victoria  
Coraci**, Plantation, FL (US); **Shannon  
Farrell**, Sunrise, FL (US); **Benjamin  
Kurzman**, Cooper City, FL (US); **Diego  
Lodato**, Weston, FL (US); **Kevin  
Marblestone**, Plantation, FL (US);  
**Michael Olagbemi**, Miramar, FL (US);  
**Sean Tomlian**, Weston, FL (US); **Fiona  
Wong**, Miramar, FL (US)

U.S. PATENT DOCUMENTS

D152,607	S	*	2/1949	Gerlinger	.....	D8/90
D311,622	S	*	10/1990	Swig	.....	D34/25
5,207,723	A	*	5/1993	Newby, Sr.	.....	312/249.11
D349,989	S	*	8/1994	Shetterly	.....	D34/25
D357,600	S	*	4/1995	Chen	.....	D6/443
5,447,261	A	*	9/1995	Mitomi et al.	.....	224/153
D374,773	S	*	10/1996	Domotor	.....	D3/279
D427,500	S	*	7/2000	Glesser	.....	D8/93
6,164,425	A	*	12/2000	Latshaw	.....	190/18 A
D441,161	S	*	4/2001	Shetterly	.....	D34/25
D446,707	S	*	8/2001	Carlson et al.	.....	D8/91
6,401,890	B1	*	6/2002	Tan	.....	190/107
6,443,274	B1	*	9/2002	Klamm	.....	190/18 A
D476,153	S	*	6/2003	Sadr et al.	.....	D3/279
D479,651	S	*	9/2003	Shen	.....	D3/279

(Continued)

*Primary Examiner* — Susan E Krakower

*Assistant Examiner* — Roselynn Cody

(74) *Attorney, Agent, or Firm* — Christopher & Weisberg,  
P.A.

(73) Assignee: **American Learning Systems, Inc.**,  
Plantation, FL (US)

(57) **CLAIM**

The ornamental design for a blade sharpener housing, as  
shown and described.

(\*\*) Term: **14 Years**

**DESCRIPTION**

(21) Appl. No.: **29/447,021**

(22) Filed: **Feb. 28, 2013**

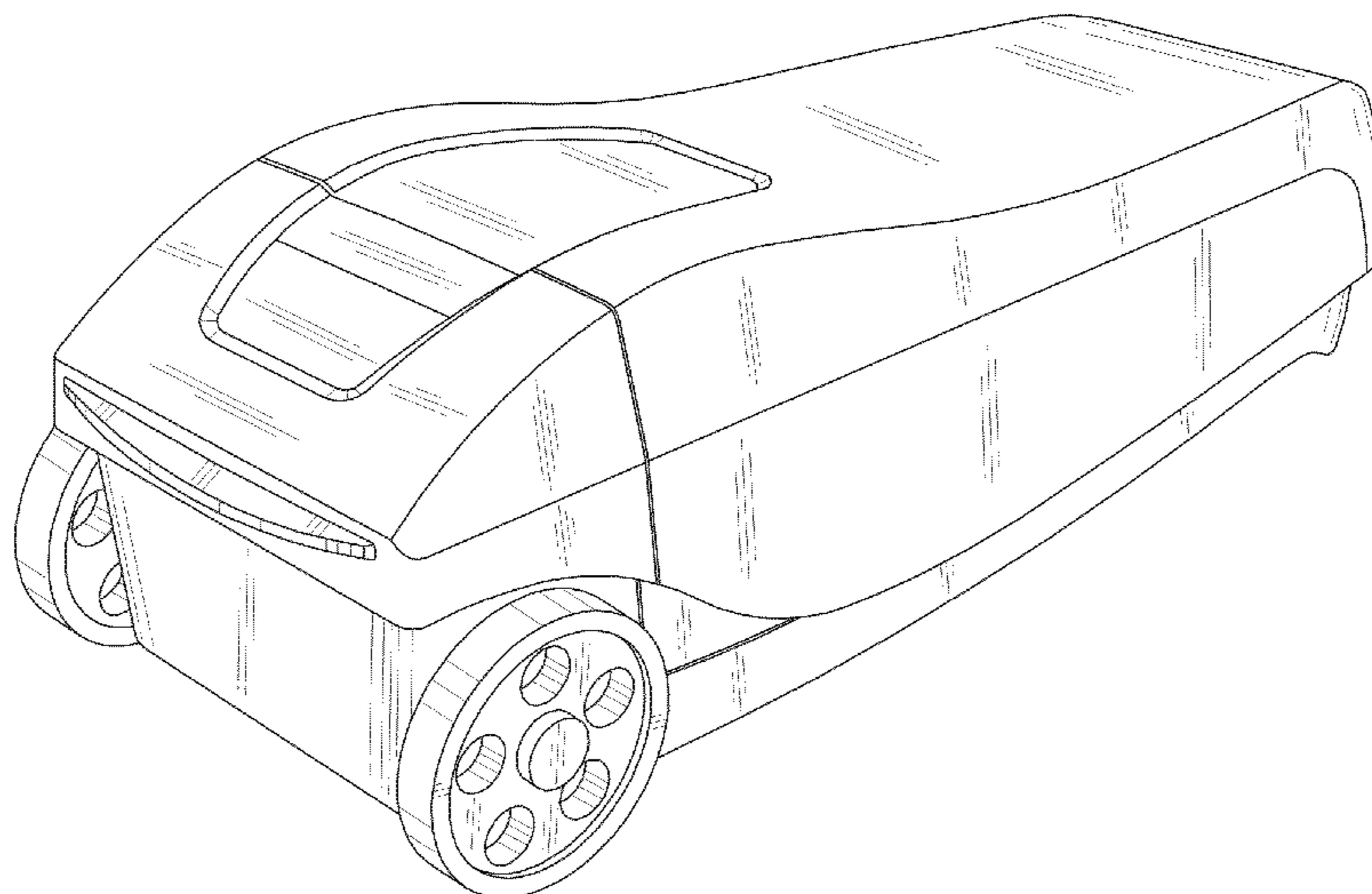
(51) **LOC (10) Cl.** ..... **08-05**

(52) **U.S. Cl.**  
USPC ..... **D8/91**

(58) **Field of Classification Search**  
CPC ..... A45C 5/14; A45C 5/146; A45C 9/00;  
A45C 13/00; A45C 13/262; A45C 13/385;  
A45D 29/00; A45D 44/02; A45F 3/04;  
B25J 3/00; B62B 1/00  
USPC ..... D8/63, 90-94; 76/82, 82.1; D3/279,  
D3/284, 902, 904, 905; 190/18 A; D34/19  
See application file for complete search history.

FIG. 1 is rear perspective view of a blade sharpener housing;  
FIG. 2 is a front perspective view thereof;  
FIG. 3 is a left side view thereof;  
FIG. 4 is a right side view thereof;  
FIG. 5 is a front view thereof;  
FIG. 6 is a rear view thereof;  
FIG. 7 is a top view thereof; and,  
FIG. 8 is a bottom view thereof.  
The broken lines are included for the purpose of illustrating a  
portion of the blade sharpener housing that forms no part of  
the claimed design.

**1 Claim, 7 Drawing Sheets**



(56)

**References Cited**

U.S. PATENT DOCUMENTS

D481,285 S \* 10/2003 Moeller et al. .... D8/93  
D491,786 S \* 6/2004 Waltzer ..... D8/93  
6,846,229 B1 \* 1/2005 Ranieri ..... 451/312  
D517,891 S \* 3/2006 Tsuchida ..... D8/91  
D523,717 S \* 6/2006 Guo et al. .... D8/63  
D537,698 S \* 3/2007 Hasegawa ..... D8/91

D554,369 S \* 11/2007 Katz et al. .... D3/279  
7,306,297 B2 \* 12/2007 Woody ..... 312/249.8  
D587,550 S \* 3/2009 Smith ..... D8/93  
7,886,884 B2 \* 2/2011 King et al. .... 190/109  
8,033,369 B2 \* 10/2011 Sherrell et al. .... 190/18 A  
D685,622 S \* 7/2013 Jalet et al. .... D8/93  
8,794,409 B2 \* 8/2014 Klevana et al. .... 190/18 A  
8,820,497 B1 \* 9/2014 Goldsmith et al. .... 190/8  
2008/0023282 A1 \* 1/2008 Duncan ..... 190/1

\* cited by examiner

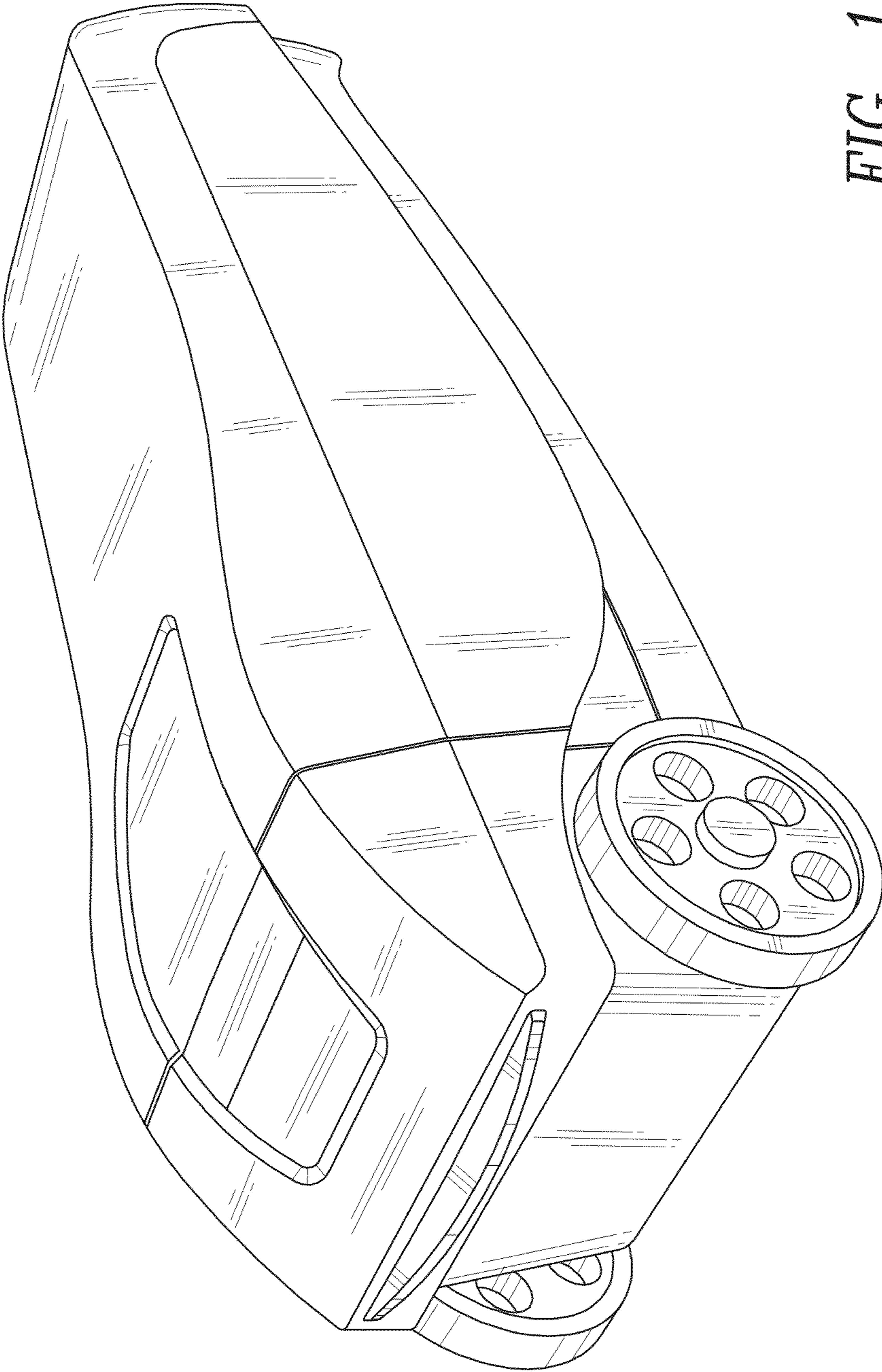


FIG. 1

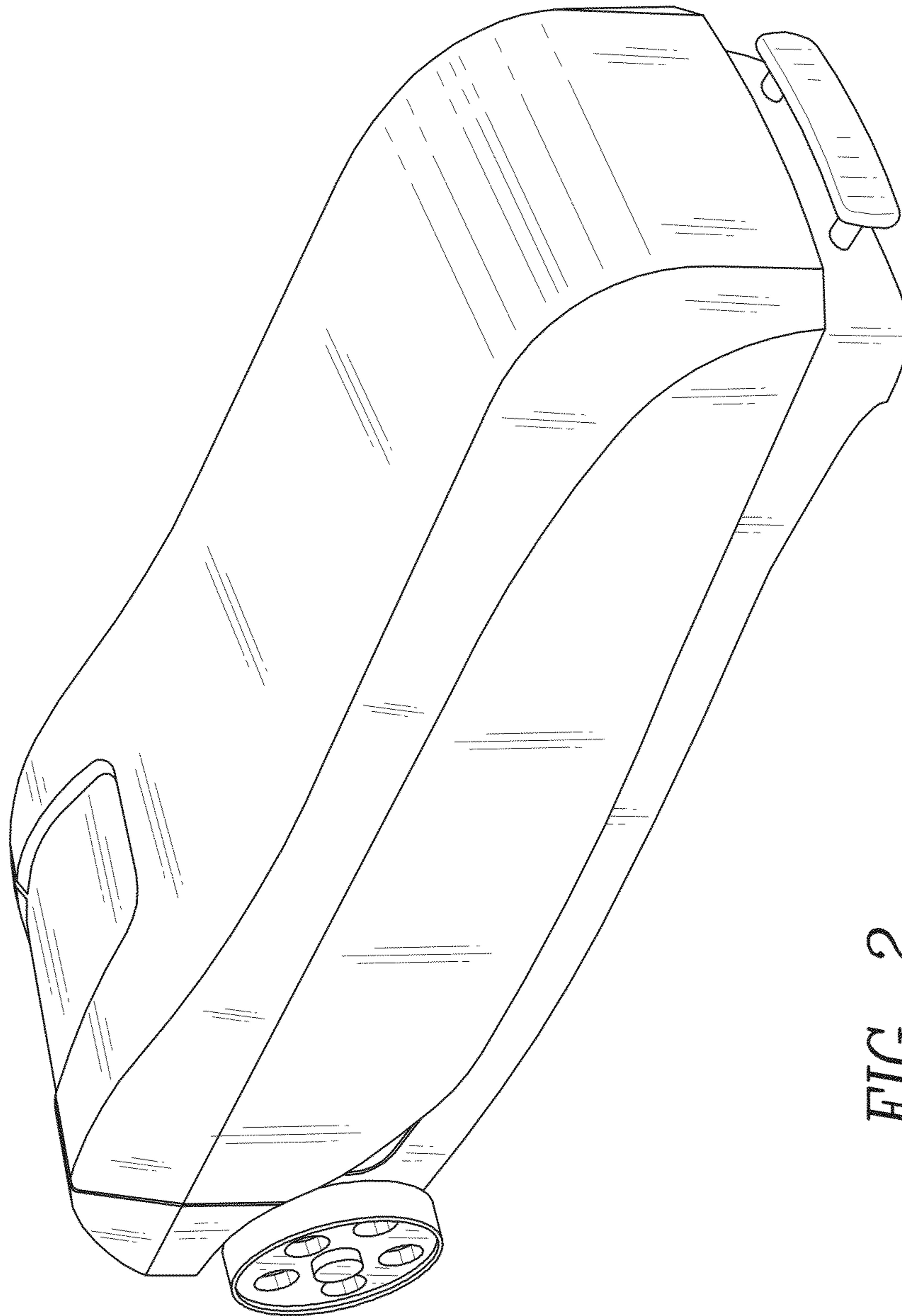


FIG. 2

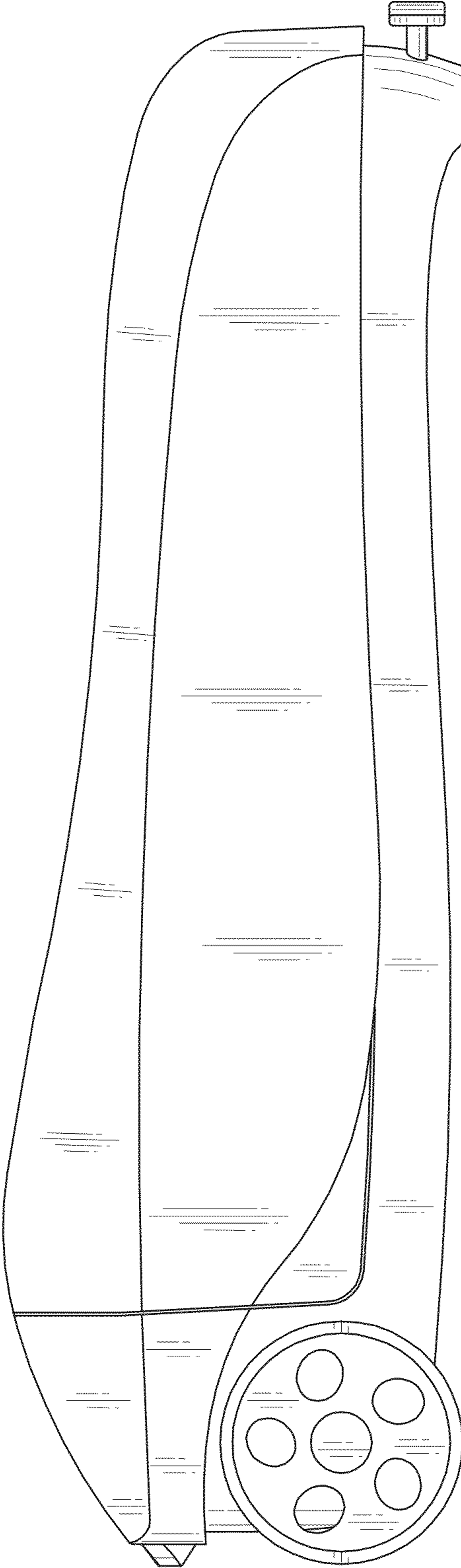


FIG. 3

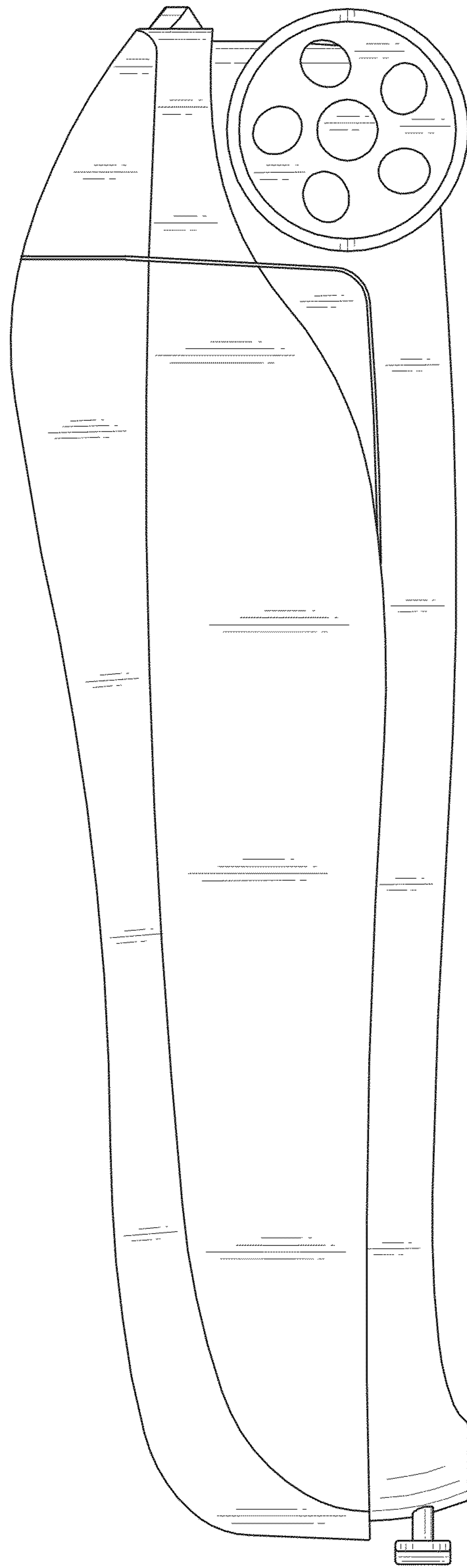
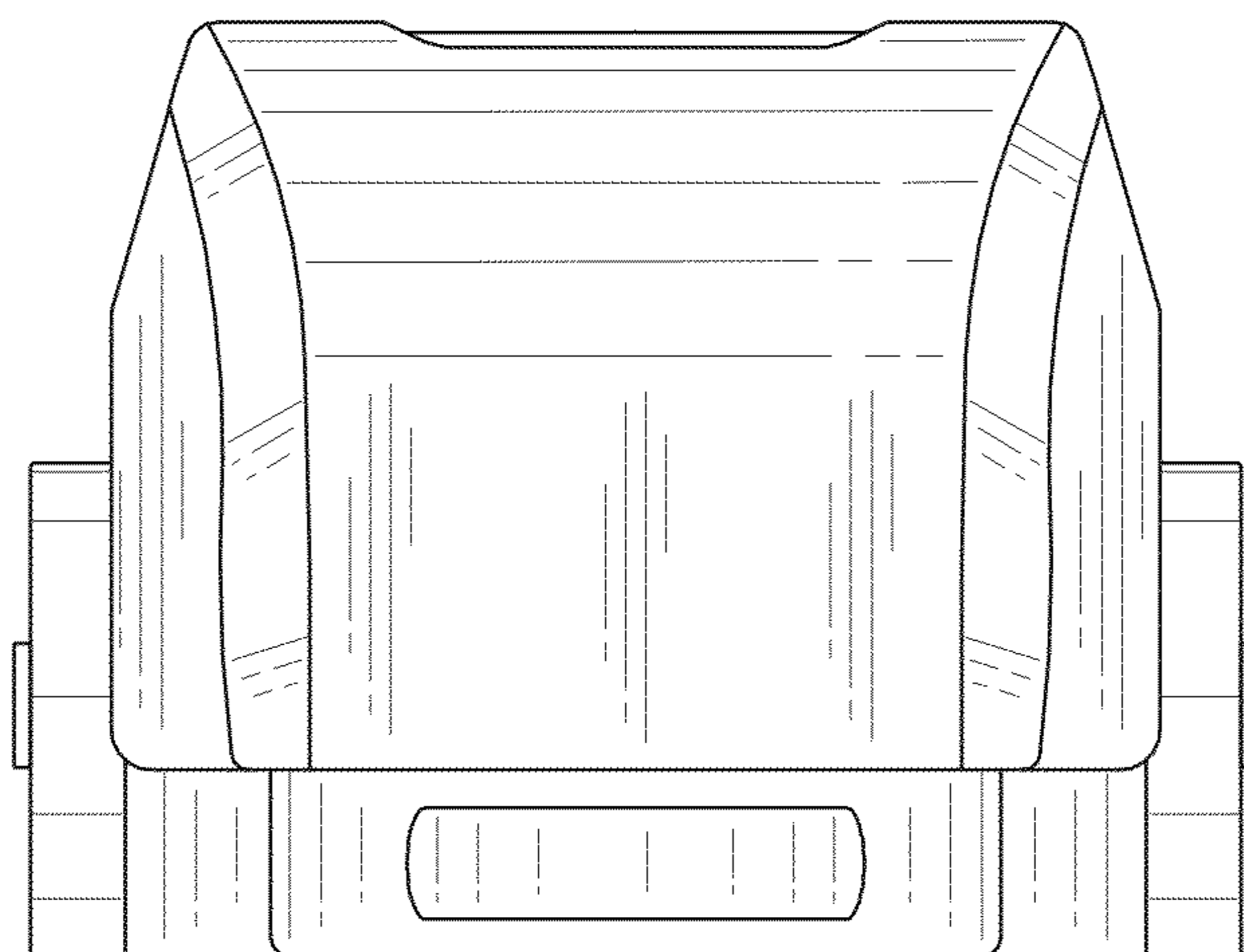
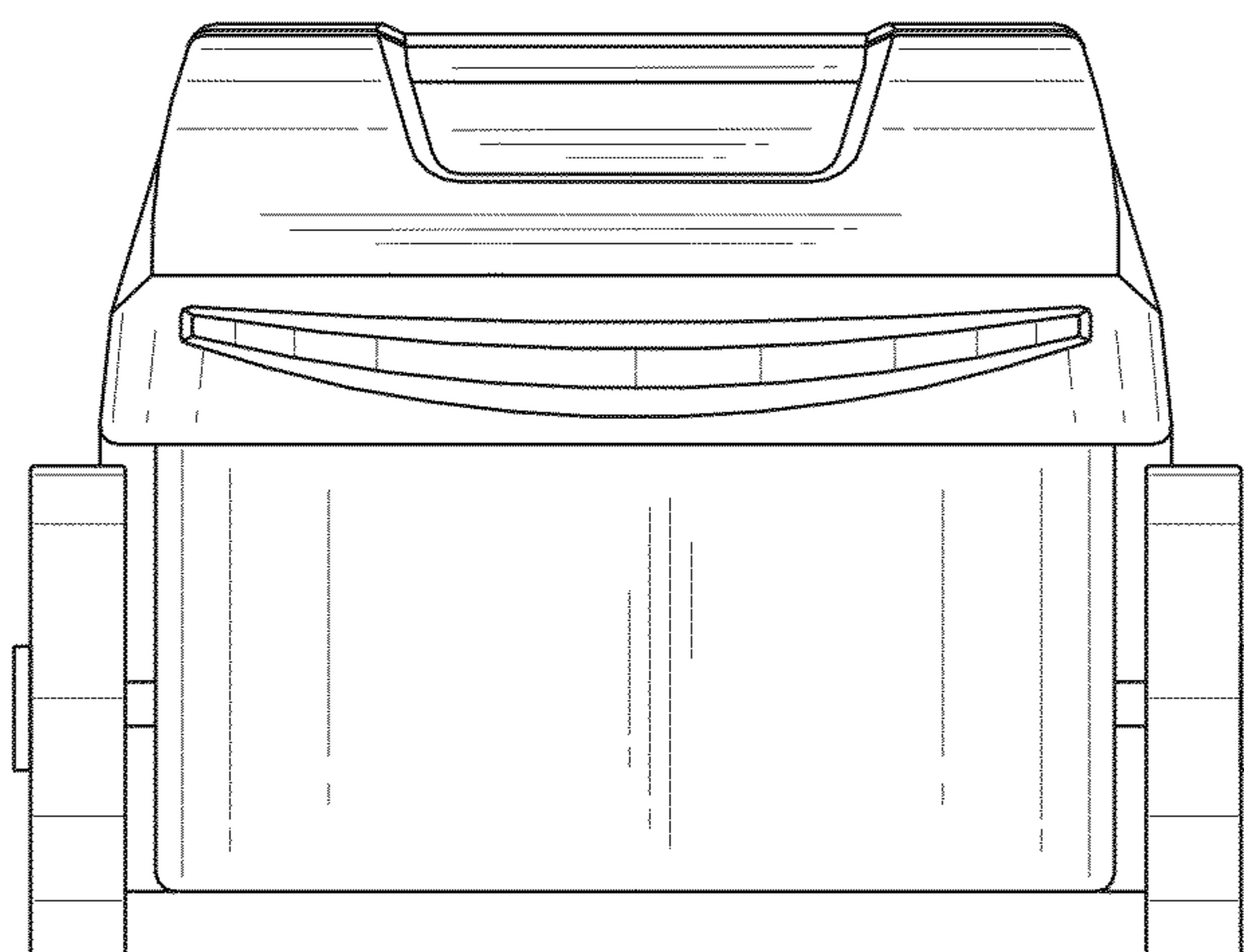


FIG. 4



*FIG. 5*



*FIG. 6*

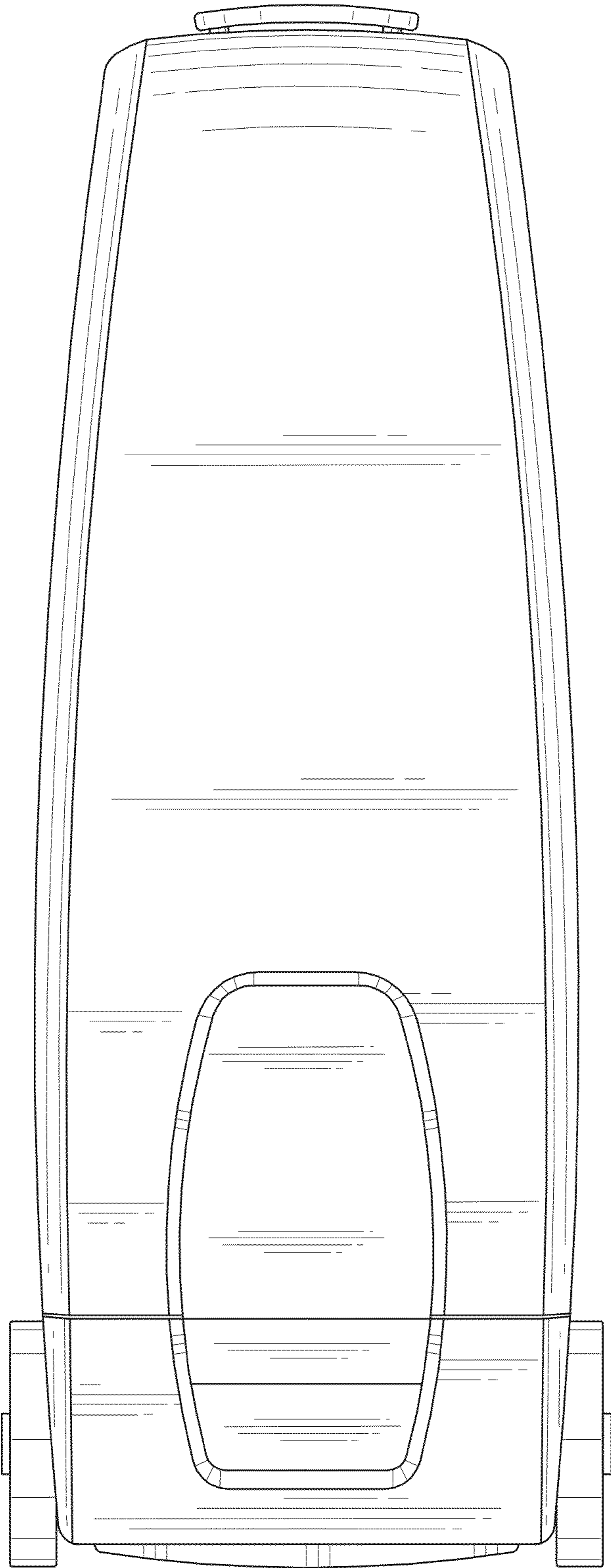


FIG. 7



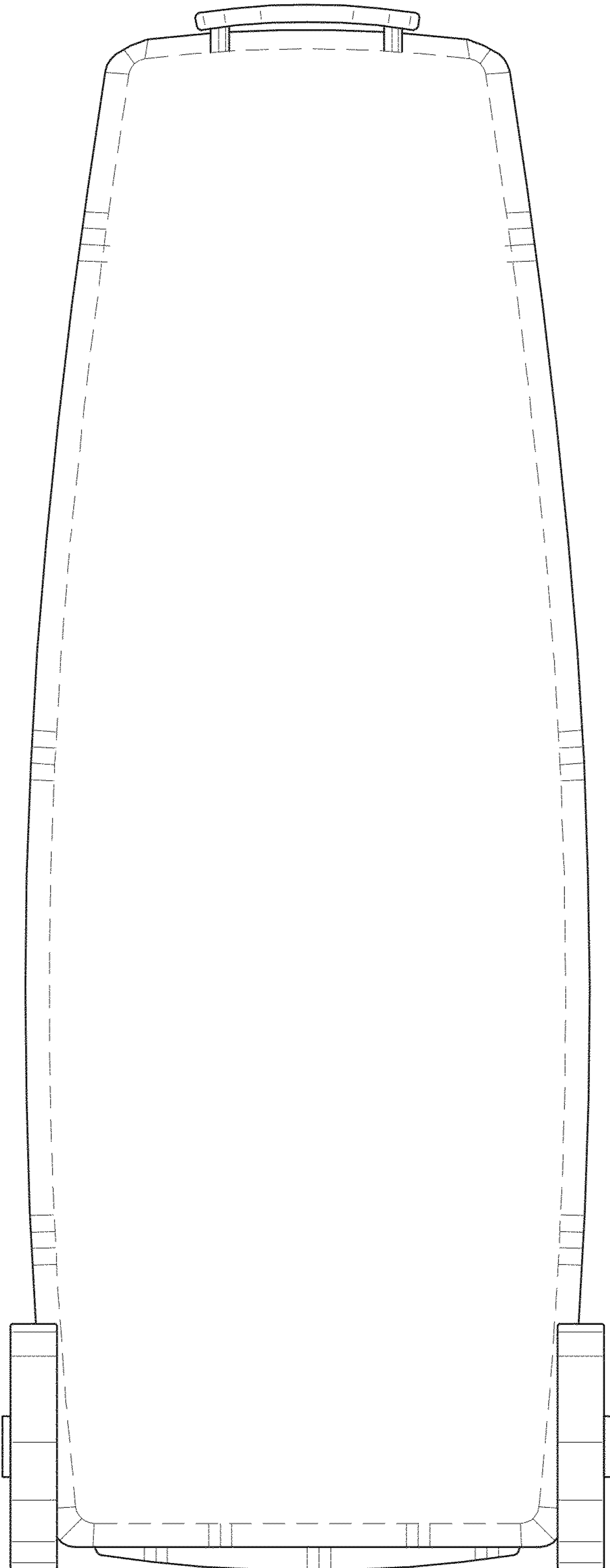


FIG. 8