



US00D725452S

(12) **United States Design Patent**
Carl et al.

(10) **Patent No.:** **US D725,452 S**
(45) **Date of Patent:** **** Mar. 31, 2015**

(54) **CHAINSAW**

(56) **References Cited**

(71) Applicant: **Sears Brands, L.L.C.**, Hoffman Estates,
IL (US)

(72) Inventors: **Ross Carl**, River Forest, IL (US);
Nicholas Dane Suchoza, Huntersville,
NC (US)

(73) Assignee: **Sears Brands, L.L.C.**, Hoffman Estates,
IL (US)

(**) Term: **14 Years**

(21) Appl. No.: **29/494,062**

(22) Filed: **Jun. 17, 2014**

U.S. PATENT DOCUMENTS

D309,087 S *	7/1990	Yamamoto et al.	D8/65
D320,728 S *	10/1991	Arvidsson	D8/65
D348,192 S *	6/1994	Griffin	D8/65
D350,680 S *	9/1994	Berfield et al.	D8/65
D365,262 S *	12/1995	Beaulieu et al.	D8/65
D445,657 S *	7/2001	Jong	D8/65
D607,293 S *	1/2010	Tinius	D8/65
D658,959 S *	5/2012	Landberg	D8/65
D658,960 S *	5/2012	Landberg	D8/65
D663,182 S *	7/2012	Schoening et al.	D8/65
D663,599 S *	7/2012	Tinius	D8/65
D707,094 S *	6/2014	Carl et al.	D8/65

* cited by examiner

Primary Examiner — Austin Murphy

(74) *Attorney, Agent, or Firm* — McAndrews Held & Malloy, Ltd.

(57) **CLAIM**

The ornamental design for a chainsaw, as shown and described.

DESCRIPTION

FIG. 1 is a top front right perspective view of a chainsaw showing our new design;
FIG. 2 is a front elevation view thereof;
FIG. 3 is a rear elevation view thereof;
FIG. 4 is a left-side elevation view thereof;
FIG. 5 is a right-side elevation view thereof;
FIG. 6 is a top plan view thereof;
FIG. 7 is a bottom plan view thereof; and,
FIG. 8 is a bottom rear left perspective view thereof.
The even length broken lines are for environmental purposes only and form no part of the claimed design.

Related U.S. Application Data

(63) Continuation of application No. 29/467,412, filed on Sep. 18, 2013, now Pat. No. Des. 707,094.

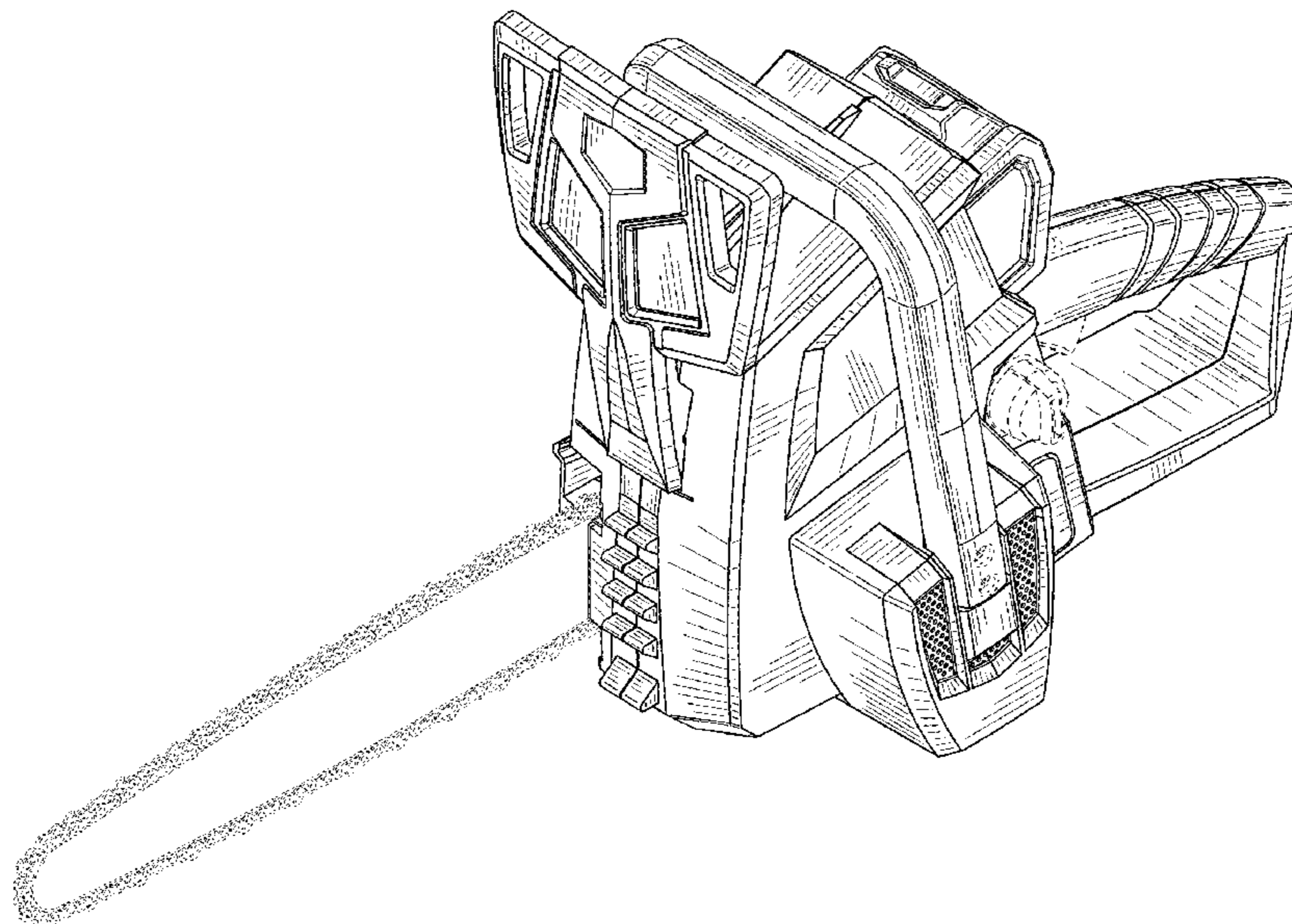
(51) **LOC (10) Cl.** **08-03**

(52) **U.S. Cl.**
USPC **D8/65**

(58) **Field of Classification Search**
USPC D8/65, 7, 8, 9, 70, 66, 67, 62, 63, 64,
D8/61, 91; 30/386, 383, 382, 371, 123,
30/381; 125/21; D21/532; 83/832, 833,
83/834; 123/185.3

See application file for complete search history.

1 Claim, 6 Drawing Sheets



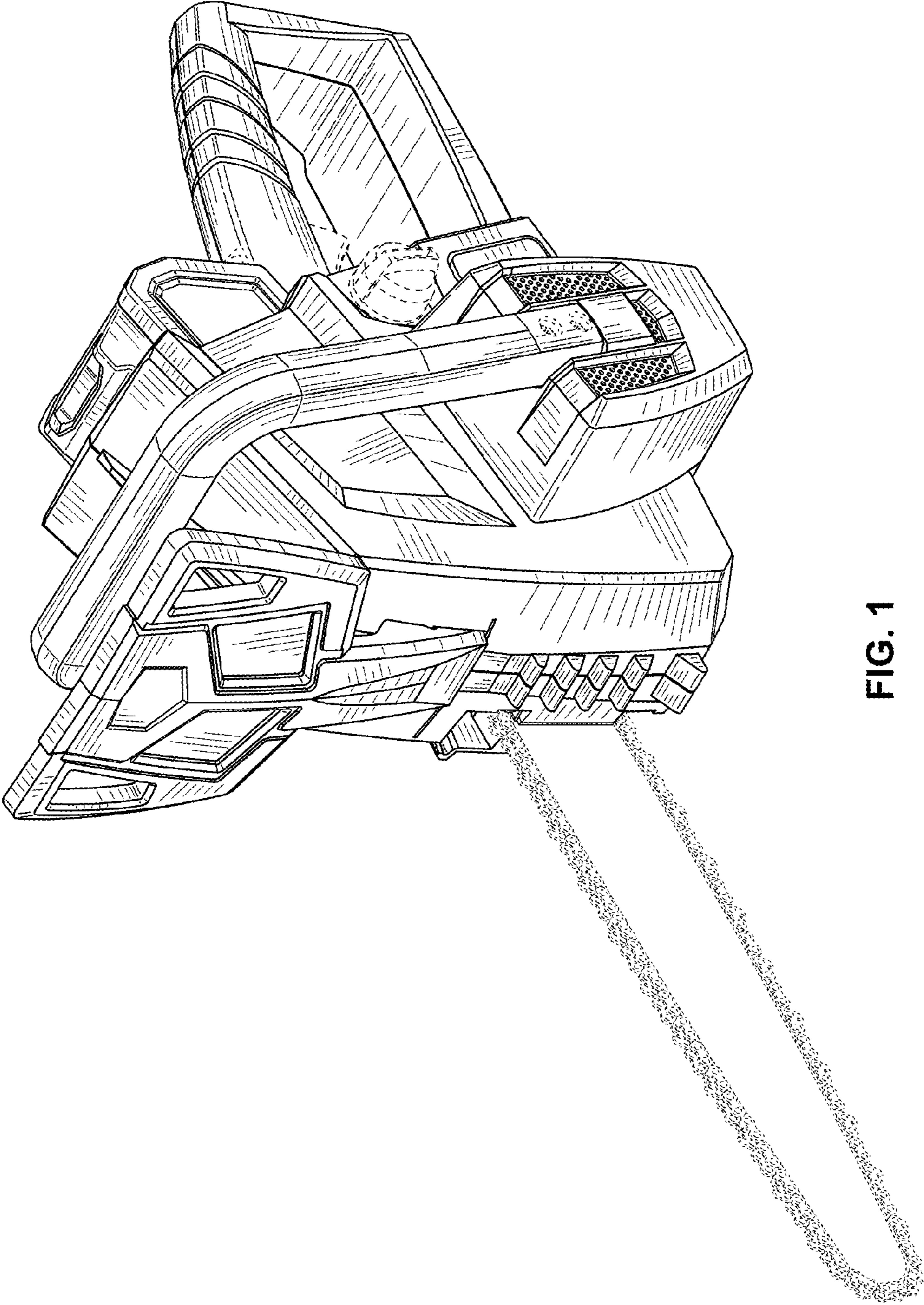


FIG. 1

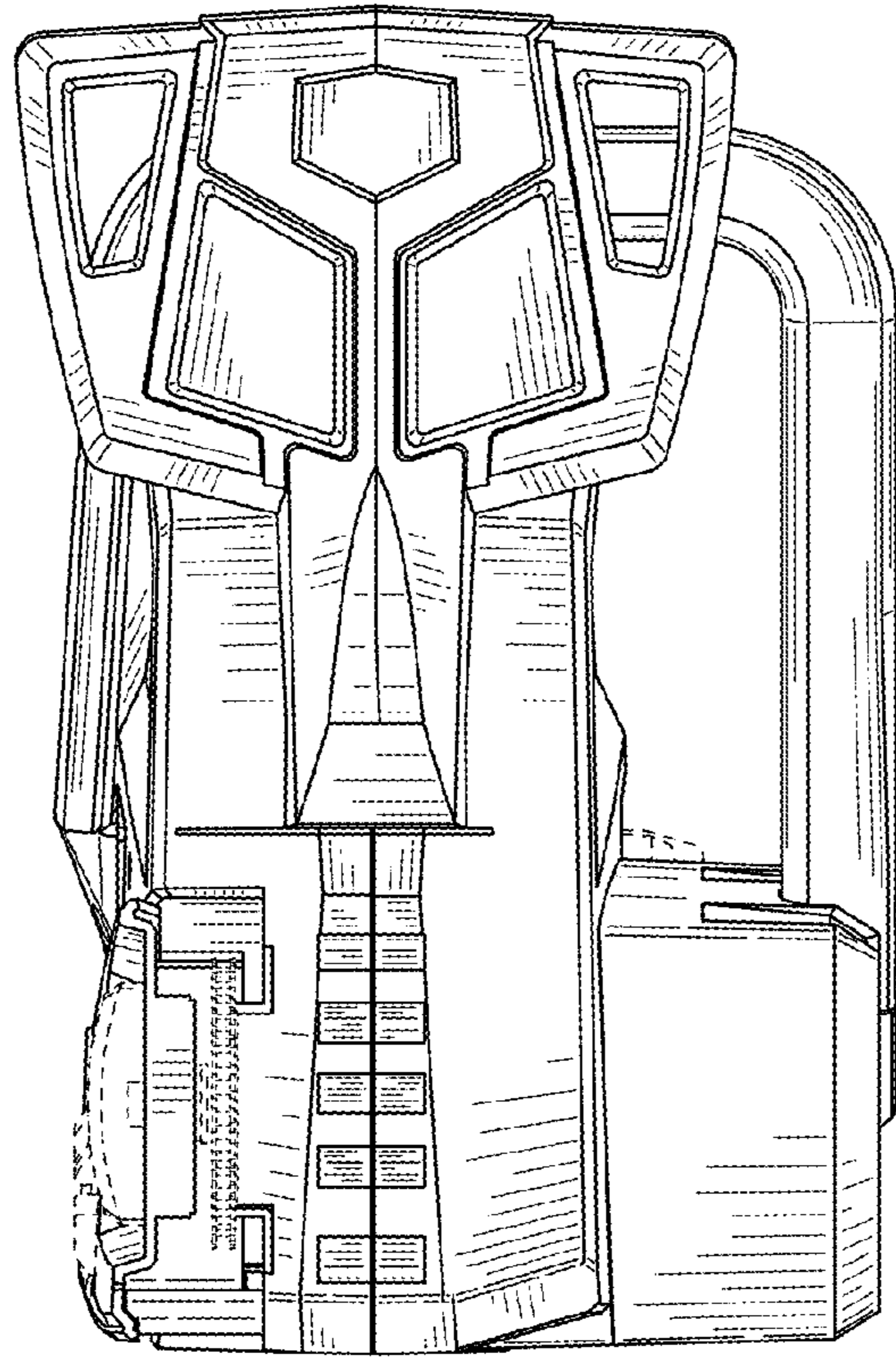


FIG. 2

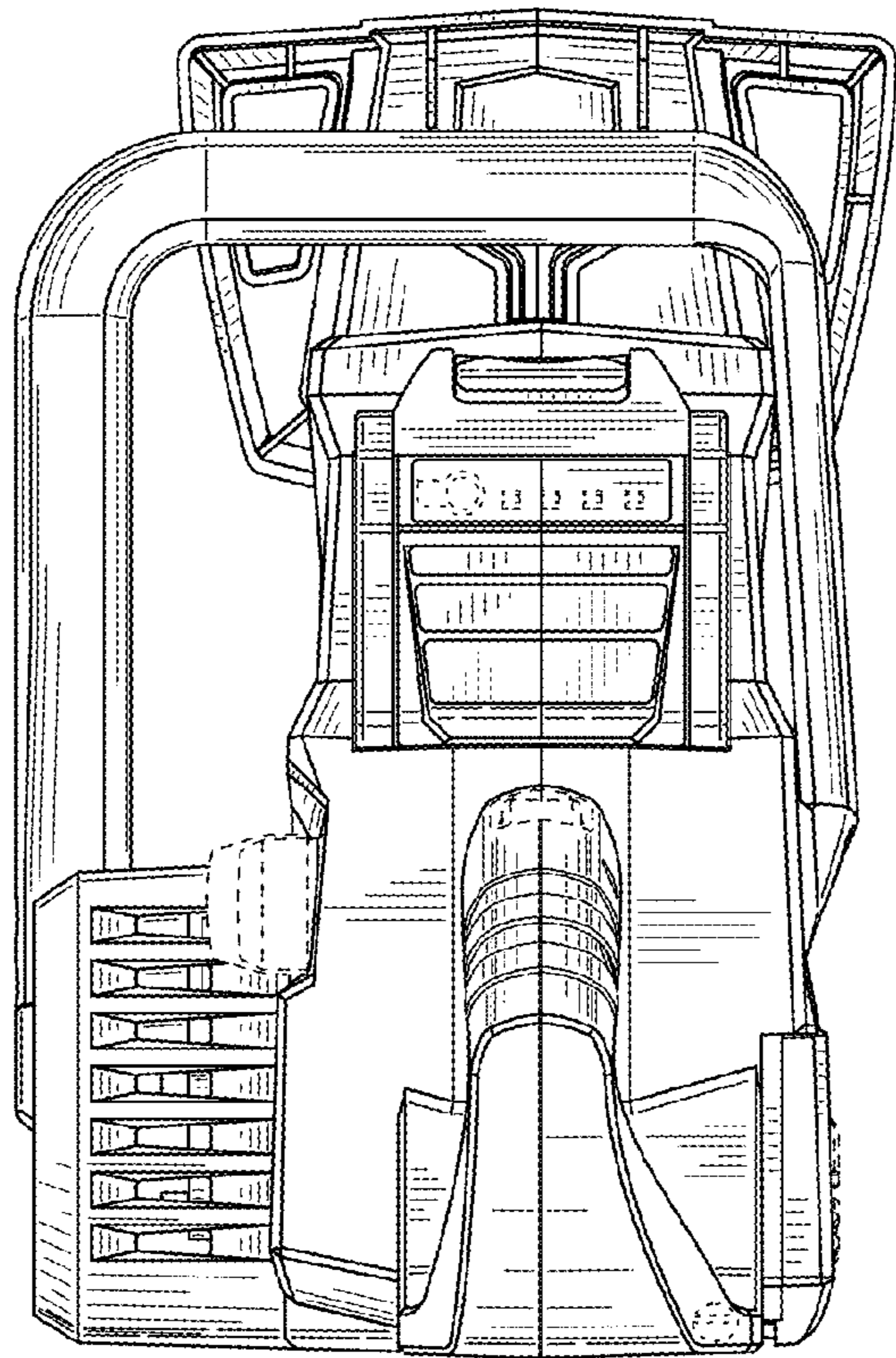


FIG. 3

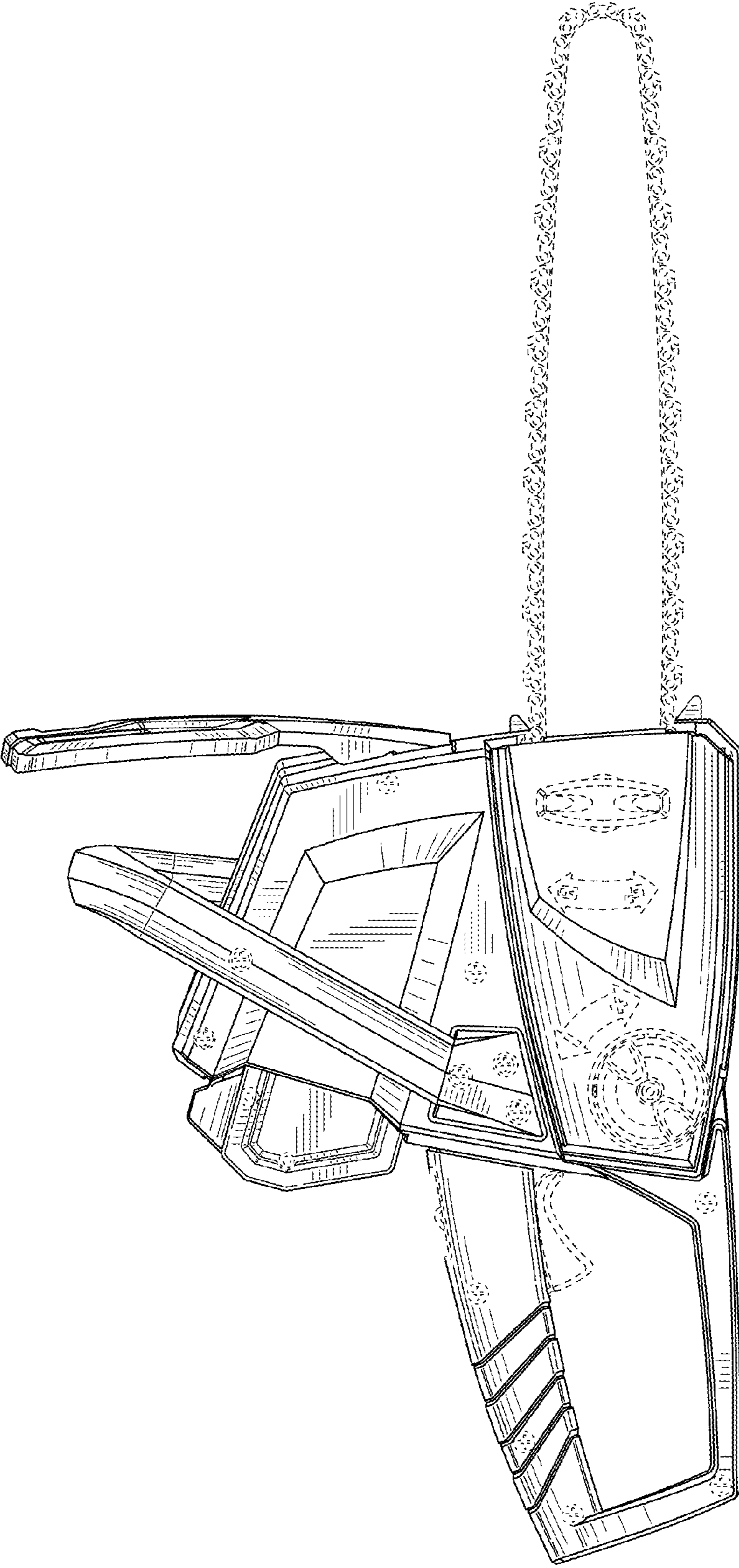


FIG. 4

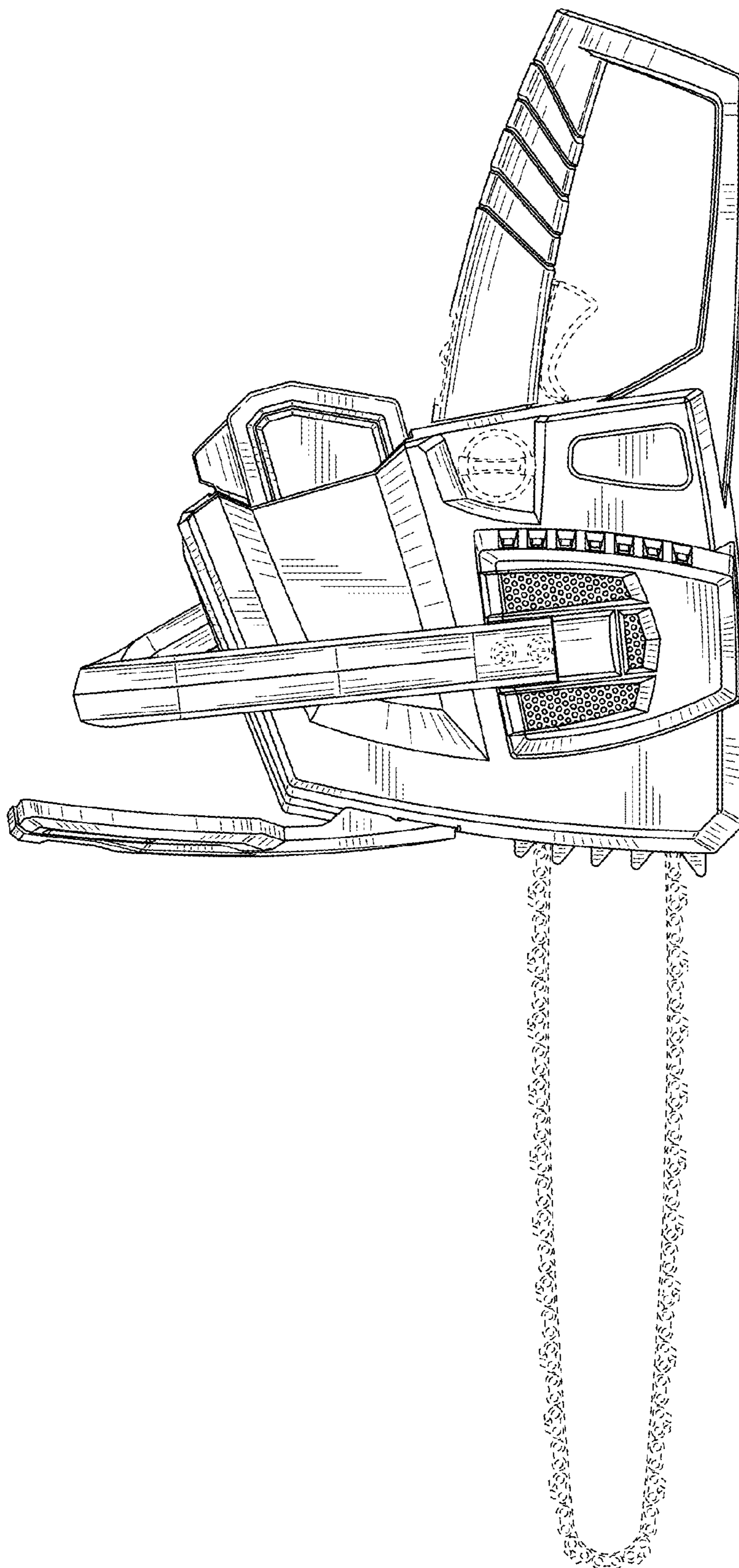


FIG. 5

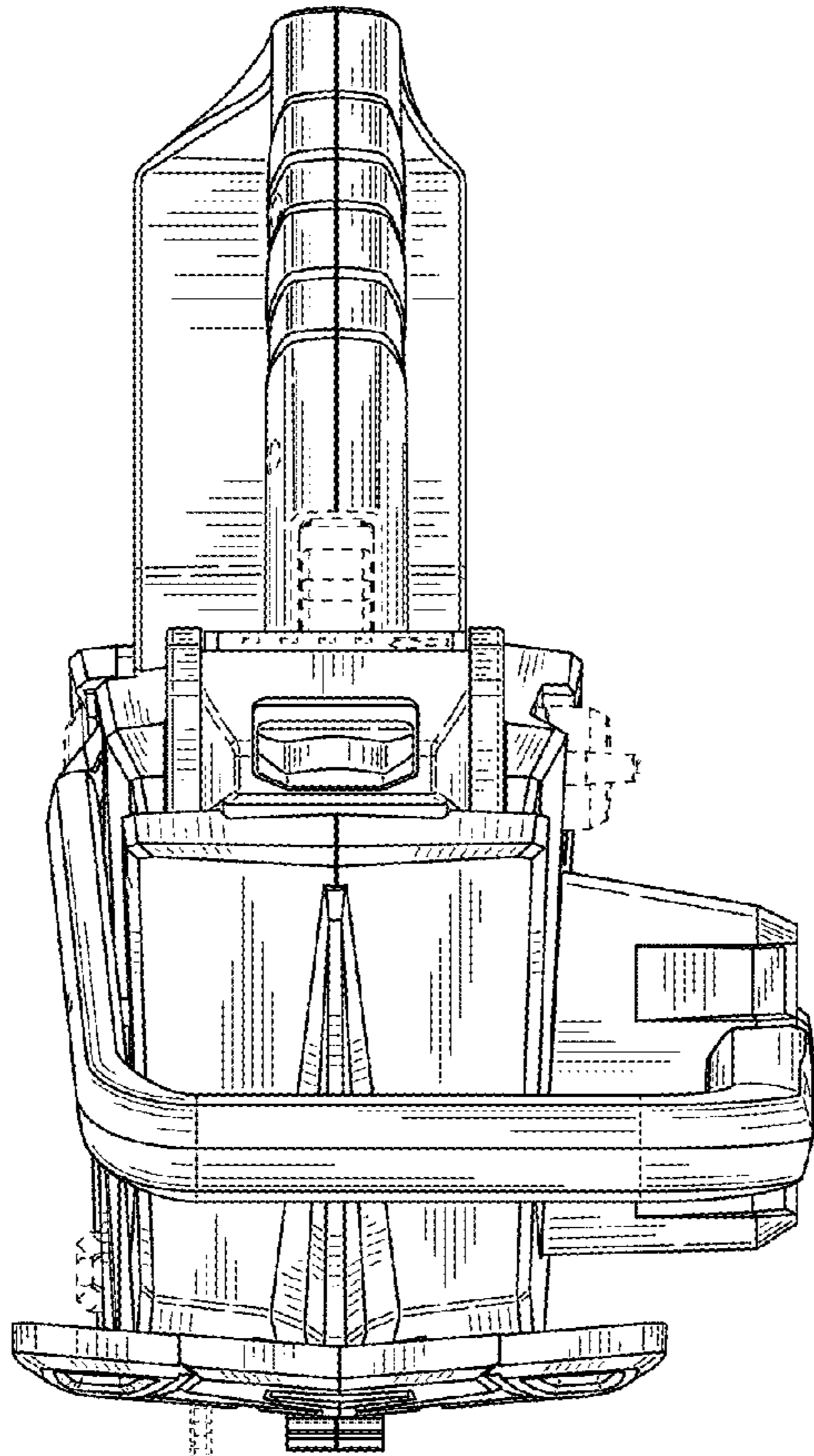


FIG. 6

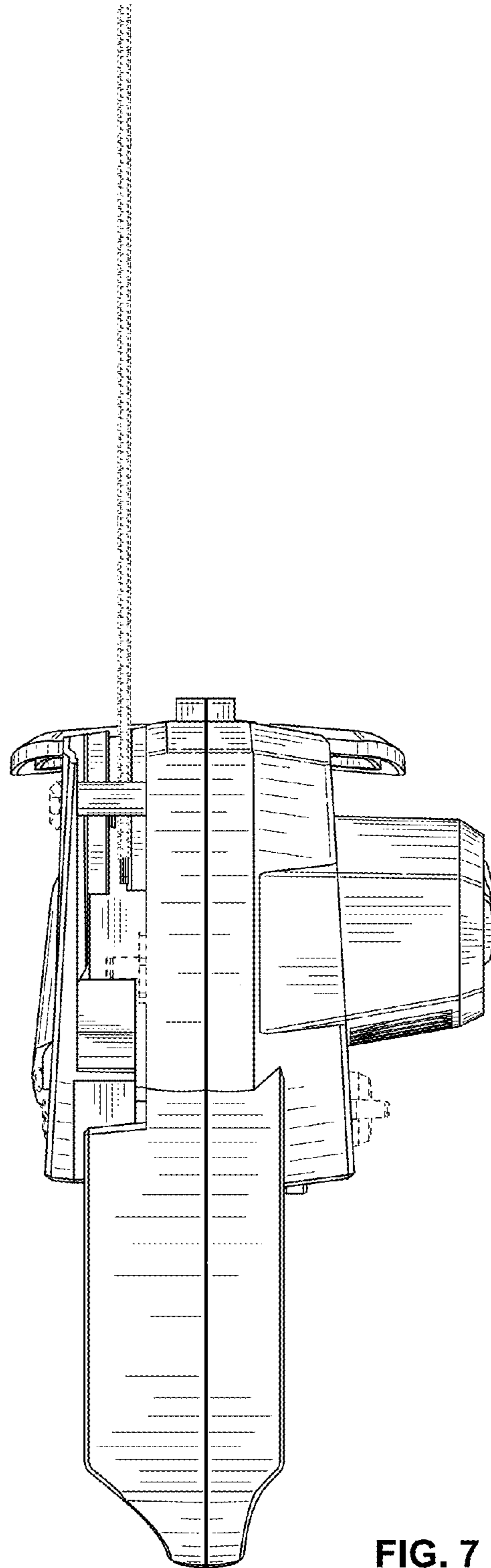


FIG. 7

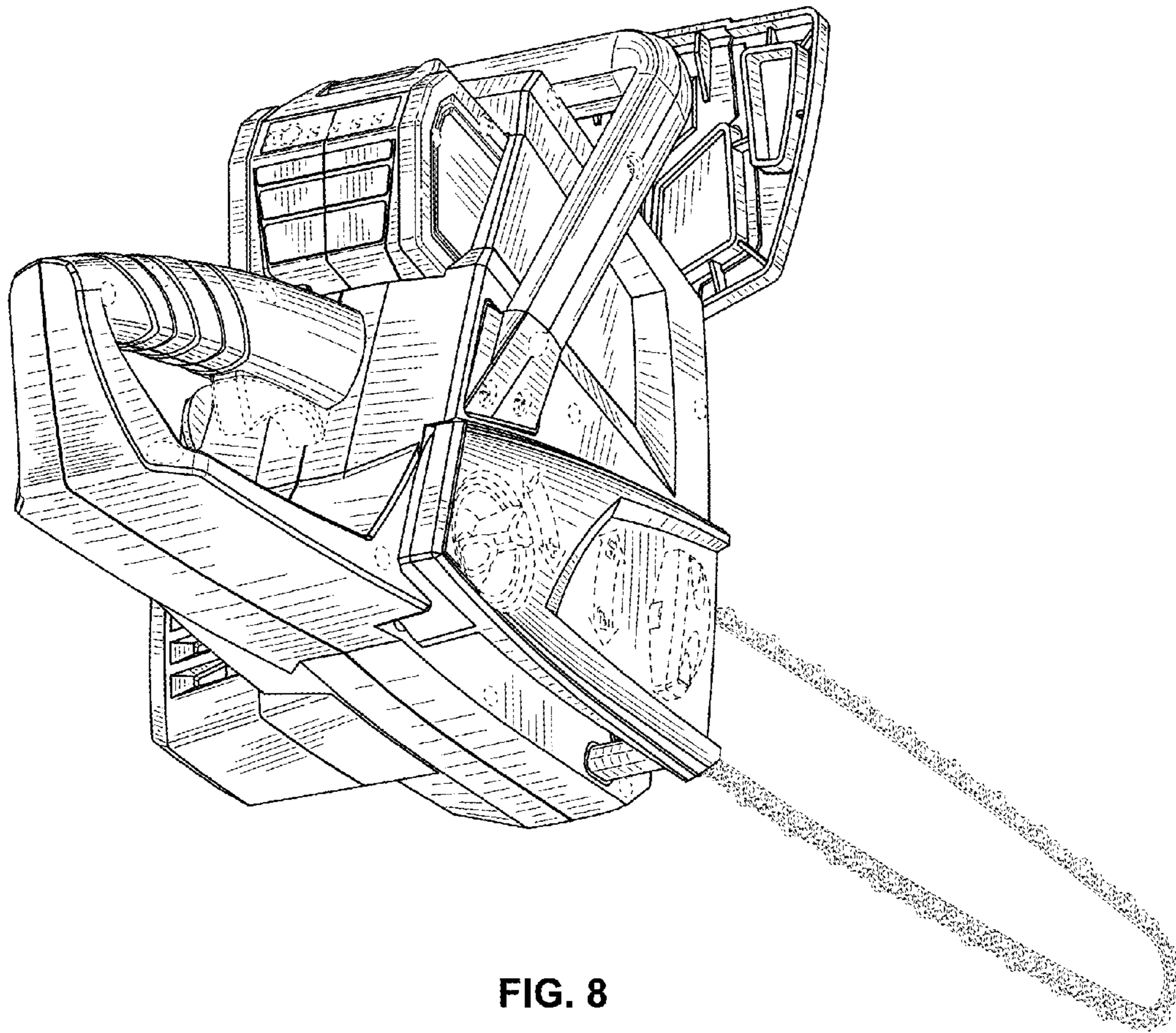


FIG. 8