



US00D725451S

(12) **United States Design Patent**
Mayberry et al.

(10) **Patent No.:** **US D725,451 S**
(45) **Date of Patent:** **** Mar. 31, 2015**

(54) **FIREARM WRENCH**

(71) Applicant: **Magpul Industries Corporation**, Erie, CO (US)

(72) Inventors: **Michael T. Mayberry**, Denver, CO (US); **William Bradley Bennett**, Lafayette, CO (US); **Jeremy Fiester**, Louisville, CO (US); **Lance Johnston**, Firestone, CO (US); **Jonathan Cross**, Longmont, CO (US); **Brian Nakayama**, Arvada, CO (US)

(73) Assignee: **Magpul Industries Corporation**, Louisville, CO (US)

(**) Term: **14 Years**

(21) Appl. No.: **29/487,544**

(22) Filed: **Apr. 9, 2014**

(51) **LOC (10) Cl.** **08-05**

(52) **U.S. Cl.**
USPC **D8/21**

(58) **Field of Classification Search**
USPC D8/16, 17-19, 21, 33, 34, 43, 88, 89,
D8/105, 107, 347; 81/119, 120, 121.1,
81/124.3, 124.4, 125.1, 176.1, 176.2, 186;
D22/149

See application file for complete search history.

(56) **References Cited**

U.S. PATENT DOCUMENTS

1,895,280	A *	1/1933	Currie	81/467
2,705,433	A *	4/1955	Goldman	81/125.1
D394,793	S *	6/1998	Ma	D8/105
D418,727	S *	1/2000	Hsieh	D8/28
D438,437	S *	3/2001	Halstead	D8/21
D473,436	S *	4/2003	Pilatzke et al.	D8/28
D548,552	S *	8/2007	Elkaim	D8/17

D564,316	S *	3/2008	Elkaim	D8/17
D584,585	S *	1/2009	Juelch et al.	D8/28
D598,723	S *	8/2009	Cheng	D8/17
D601,393	S *	10/2009	Cui	D8/17
D666,883	S *	9/2012	Howard et al.	D8/19

OTHER PUBLICATIONS

Cheaperthandirt_com_Variety_Wrenches_AR15
Cheaperthandirt.com Variety of Wrenches for the AR15; Website
[Online] Available Web Site: http://www.cheaperthandirt.com/prod/AR15_Wrench; Last update: unknown; Accessed on: Apr. 22, 2014.

(Continued)

Primary Examiner — Randall Gholson

(74) *Attorney, Agent, or Firm* — Swanson & Bratschun, L.L.C.

(57) **CLAIM**

The ornamental design for a firearm wrench, as shown and described.

DESCRIPTION

FIG. 1 is a top, rear, left perspective view of a firearm wrench showing our new design;

FIG. 2 is a bottom, front, right perspective view of the firearm wrench of FIG. 1;

FIG. 3 is a top plan view of the firearm wrench of FIG. 1;

FIG. 4 is a front elevation view of the firearm wrench of FIG. 1;

FIG. 5 is a bottom plan view of the firearm wrench of FIG. 1;

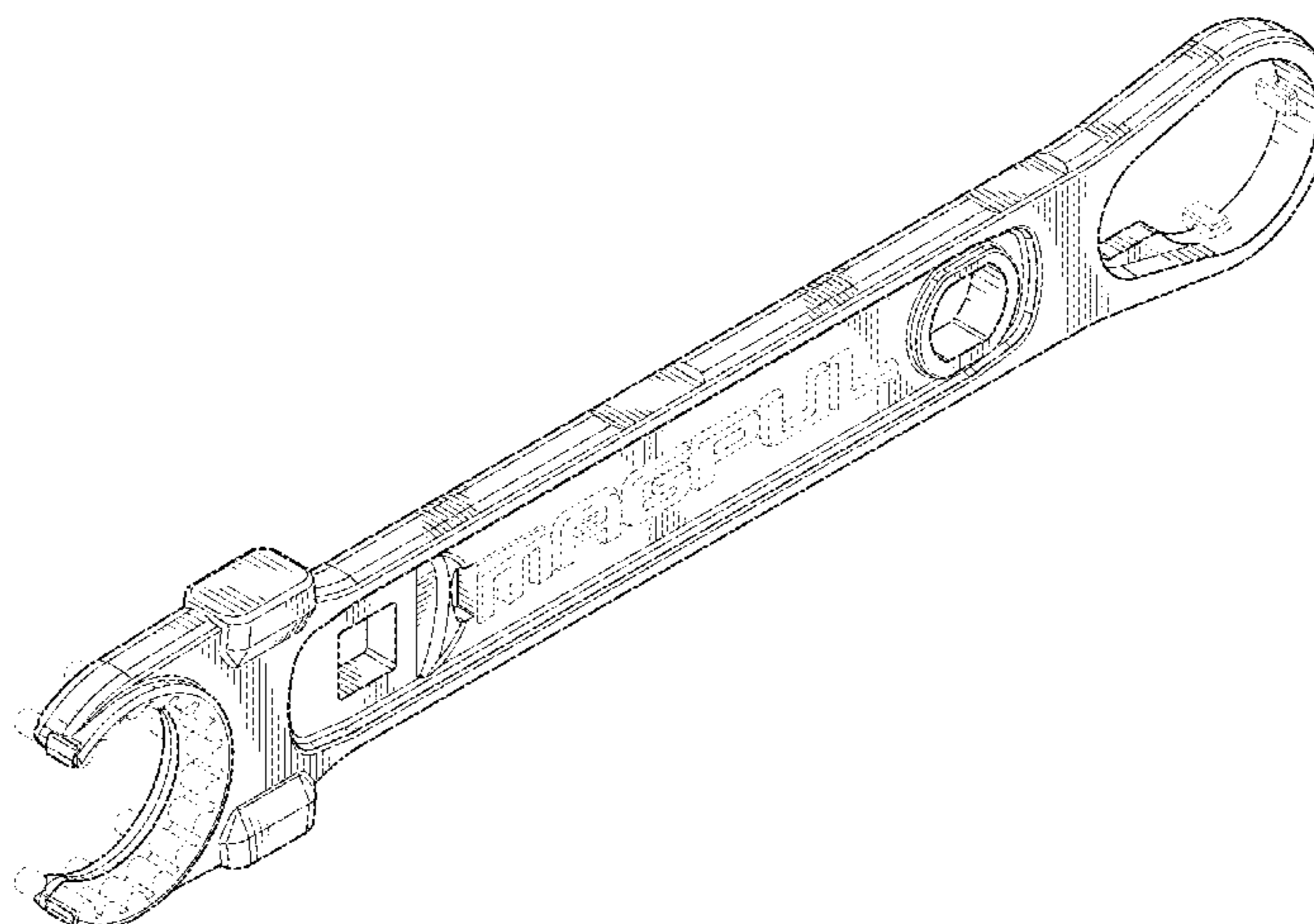
FIG. 6 is a rear elevation view of the firearm wrench of FIG. 1;

FIG. 7 is a right side elevation view of the firearm wrench of FIG. 1; and,

FIG. 8 is a left side elevation view of the firearm wrench of FIG. 1.

The broken lines showing portions of the design in all figures are included for the purpose of illustrating environment and unclaimed features and forms not part of the claimed design.

1 Claim, 4 Drawing Sheets



(56)

References Cited

OTHER PUBLICATIONS

DPMS_Panther_Arms_2012_DPMS_Multi-Tool_PartNo_TL-
MW DPMS Panther Arms (2012) DPMS Multi-Tool Part No. TL-

MW; Website [Online] Available Web Site: http://www.dpmsinc.com/DPMS-Multi-Tool_p_1123.html; Last update: Jun. 20, 2013; Accessed on: Apr. 22, 2014.

* cited by examiner

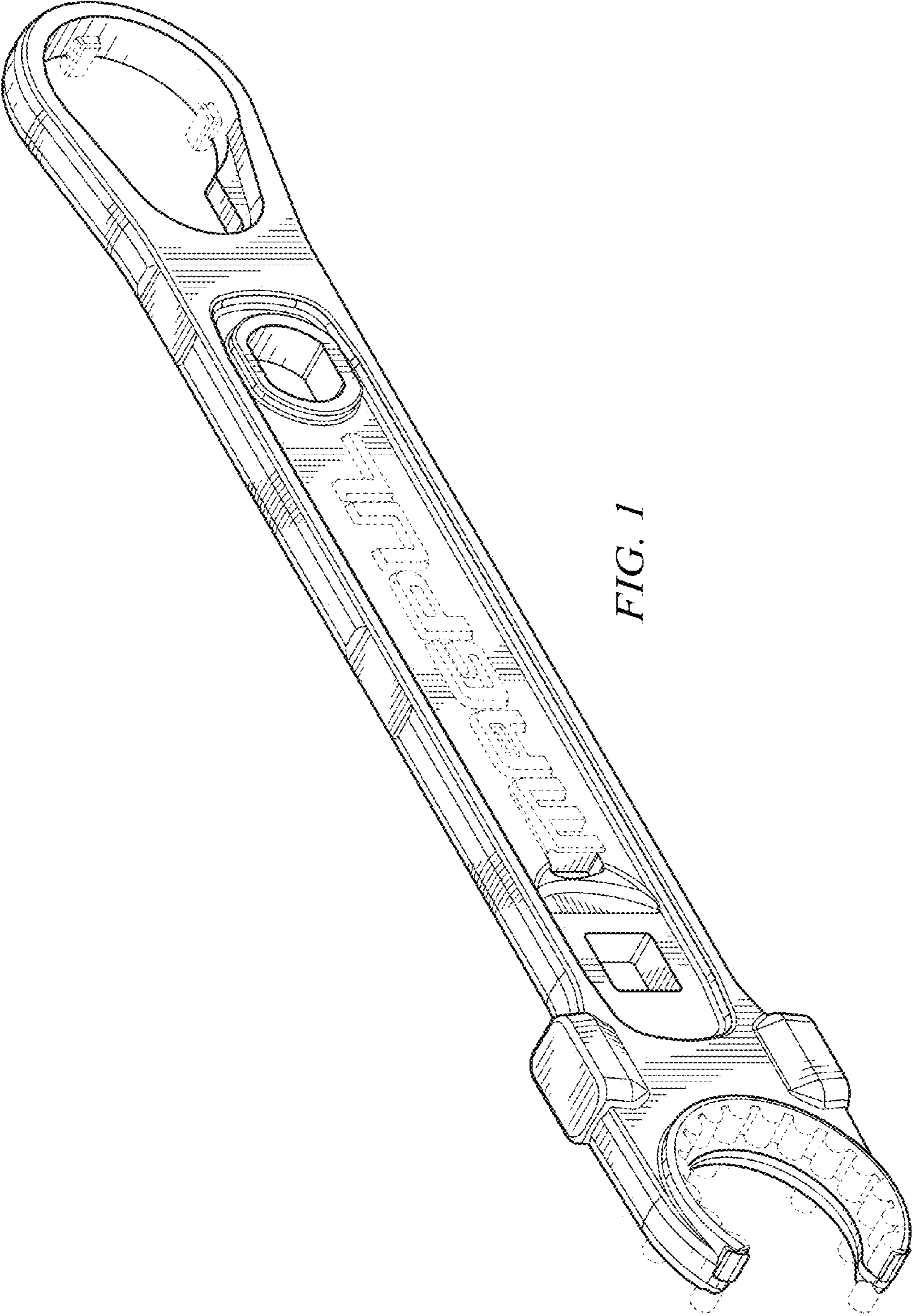


FIG. 1

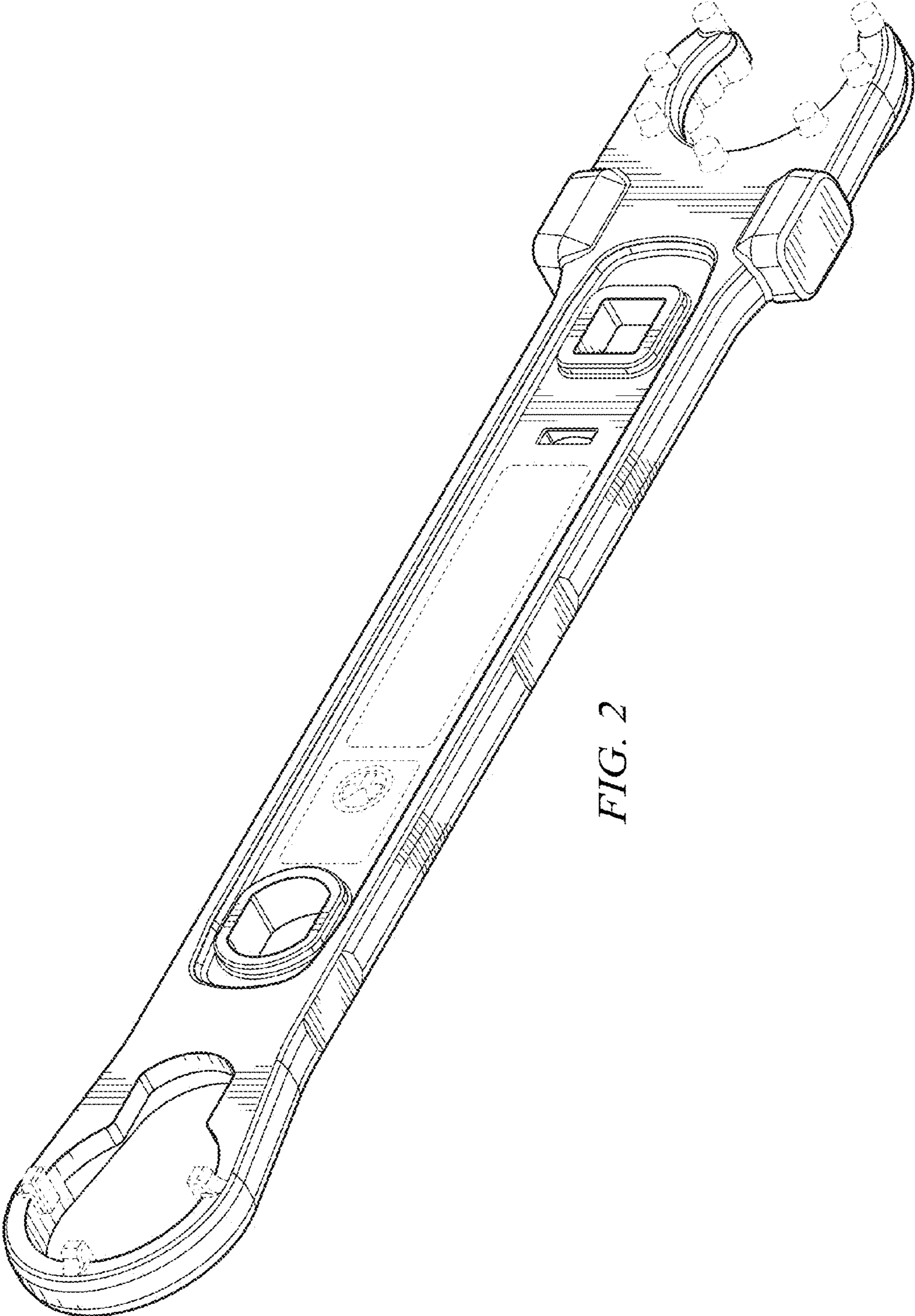


FIG. 2

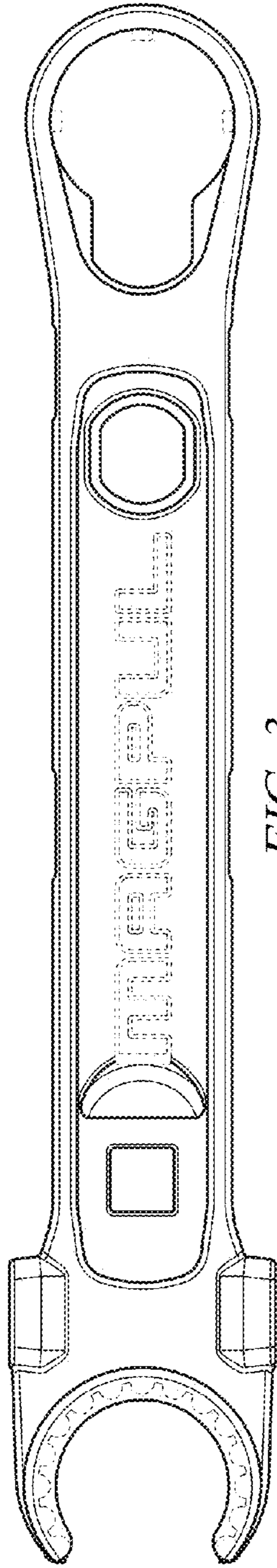


FIG. 3

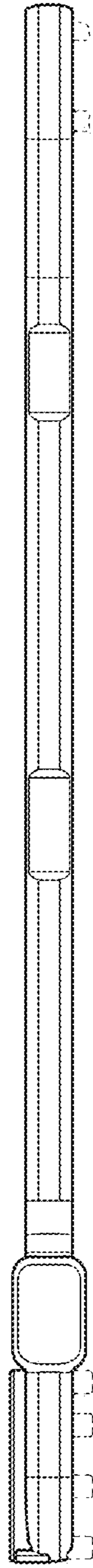


FIG. 4

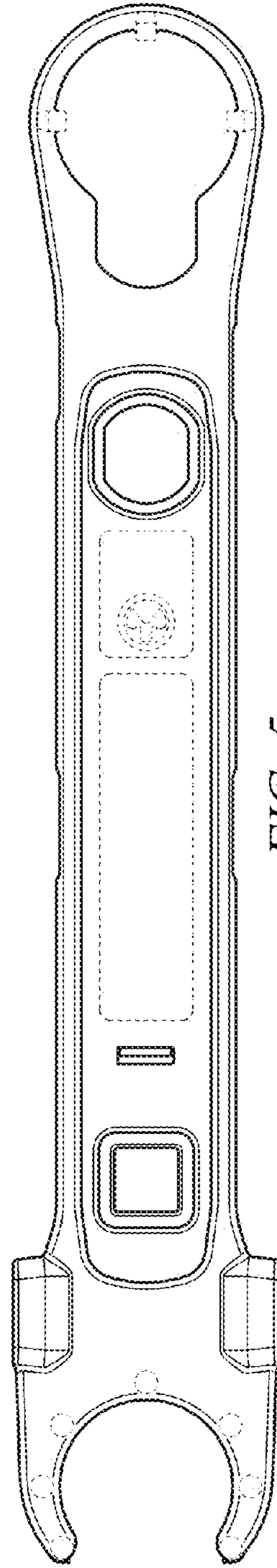


FIG. 5

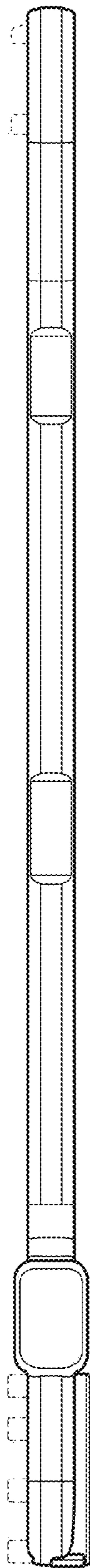


FIG. 6



FIG. 8



FIG. 7