



US00D725449S

(12) **United States Design Patent**
Castrigno

(10) **Patent No.:** **US D725,449 S**
(45) **Date of Patent:** **** Mar. 31, 2015**

- (54) **WAND FOR FUSING PIPE**
- (71) Applicant: **Watts Water Technologies, Inc.**, North Andover, MA (US)
- (72) Inventor: **Steven Castrigno**, Manchester, NH (US)
- (73) Assignee: **Watts Water Technologies, Inc.**, North Andover, MA (US)

5,837,966	A *	11/1998	Timmons, Jr.	219/124.34
5,841,089	A *	11/1998	Martinenas	219/60 A
5,844,190	A *	12/1998	Benway et al.	219/60 A
6,924,452	B2 *	8/2005	Kimura	219/61
D514,915	S *	2/2006	Wang	D8/72
7,026,568	B2 *	4/2006	Guerrina	219/60 A
D640,398	S *	6/2011	Molina et al.	D26/38
D699,771	S *	2/2014	Barrett et al.	D15/144
2004/0238496	A1 *	12/2004	Kimura	219/60 A

* cited by examiner

(**) Term: **14 Years**

Primary Examiner — George D Kirschbaum

(21) Appl. No.: **29/487,372**

Assistant Examiner — Jennifer Watkins

(22) Filed: **Apr. 8, 2014**

(74) *Attorney, Agent, or Firm* — Locke Lord LLP; George N. Chaclas

(51) **LOC (10) Cl.** **08-05**

(57) **CLAIM**

(52) **U.S. Cl.**
USPC **D8/14.1**

The ornamental design for a wand for fusing pipe, as shown and described.

(58) **Field of Classification Search**
 CPC B23K 9/0286; B23K 2201/06; B23K 37/0533; B23K 9/0282; B29C 65/00; B29C 66/1122; B29C 65/02
 USPC D8/14, 14.1, 68, 72; 29/271, 272; 219/60 A, 61, 124.34; 81/129; 43/4; 294/116
 See application file for complete search history.

DESCRIPTION

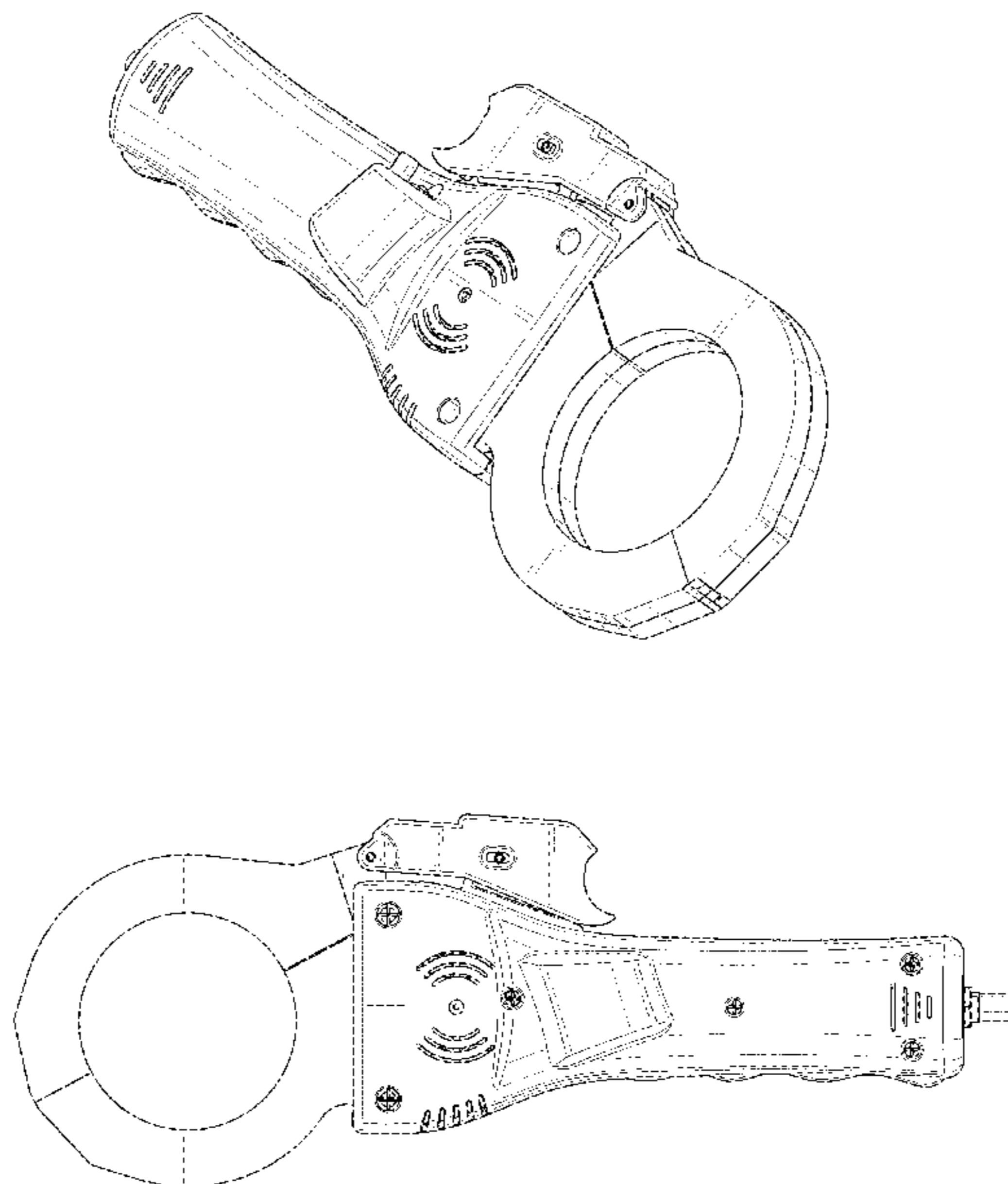
FIG. 1 is a perspective view of the wand for fusing pipe according to the present disclosure.
 FIG. 2 is a front view of the wand for fusing pipe according to the present disclosure.
 FIG. 3 is a rear view of the wand for fusing pipe according to the present disclosure.
 FIG. 4 is a left side view of the wand for fusing pipe according to the present disclosure.
 FIG. 5 is a right side view of the wand for fusing pipe according to the present disclosure.
 FIG. 6 is a top view of the wand for fusing pipe according to the present disclosure; and,
 FIG. 7 is a bottom view of the wand for fusing pipe according to the present disclosure.

(56) **References Cited**

U.S. PATENT DOCUMENTS

2,817,556	A *	12/1957	White	294/116
4,161,640	A *	7/1979	Bromwich et al.	219/60 A
4,841,115	A *	6/1989	Severin et al.	219/60 A
4,922,073	A *	5/1990	Weir	219/60 A
5,679,271	A *	10/1997	Guerrina	219/60 A
D386,661	S *	11/1997	Hirabayashi et al.	D8/68
5,824,983	A *	10/1998	Huddleston, Jr.	219/61

1 Claim, 6 Drawing Sheets



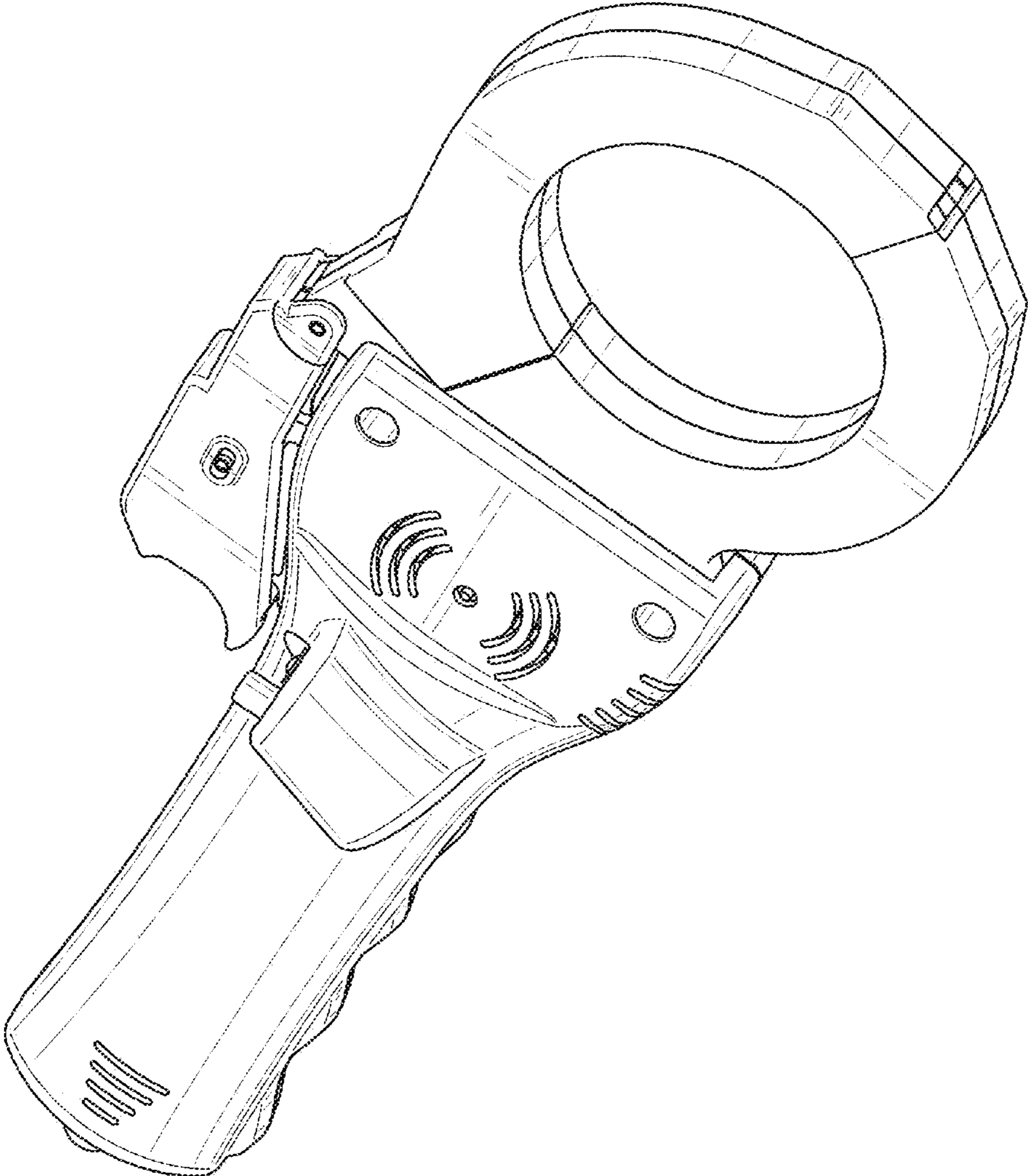


FIG. 1

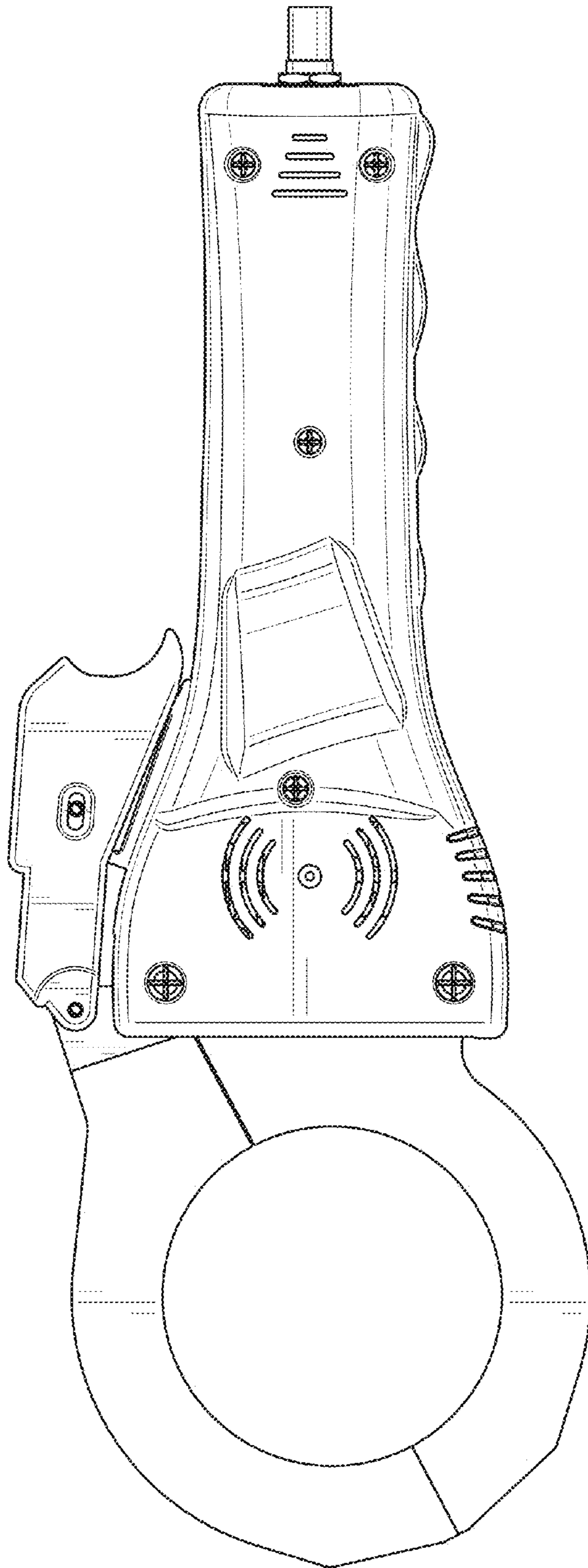


FIG. 2

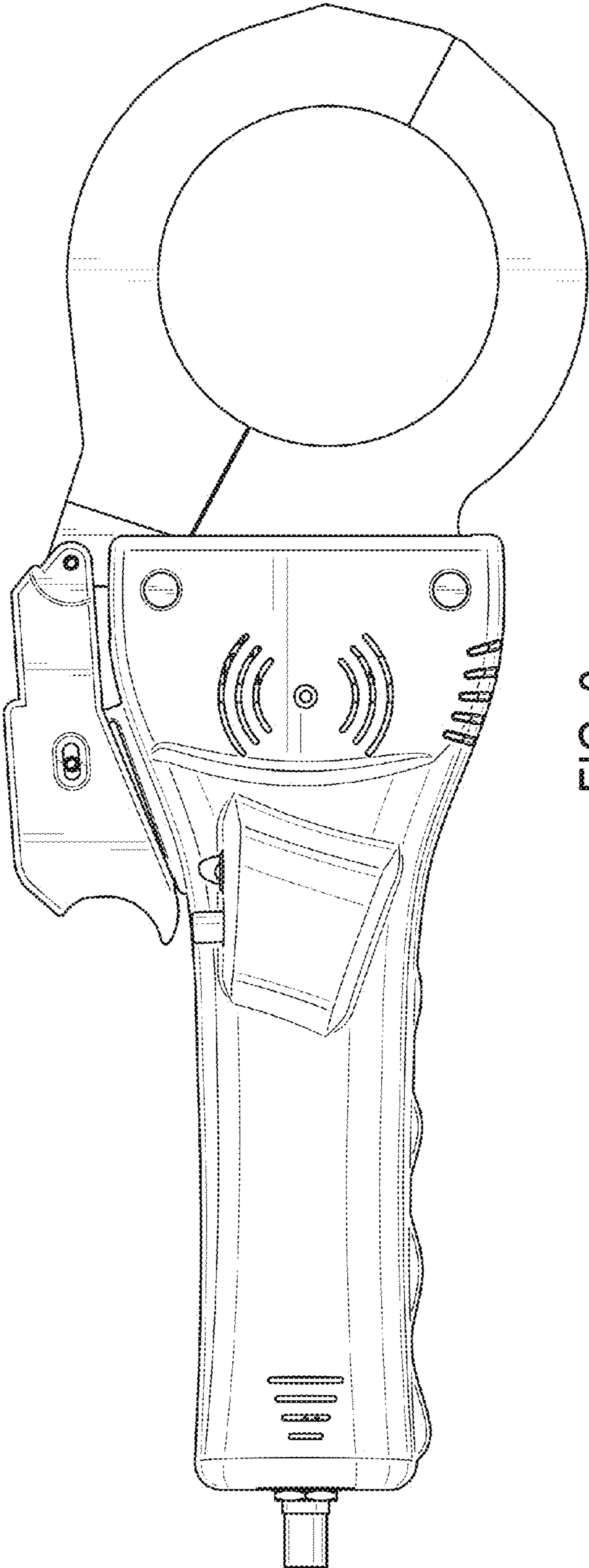


FIG. 3

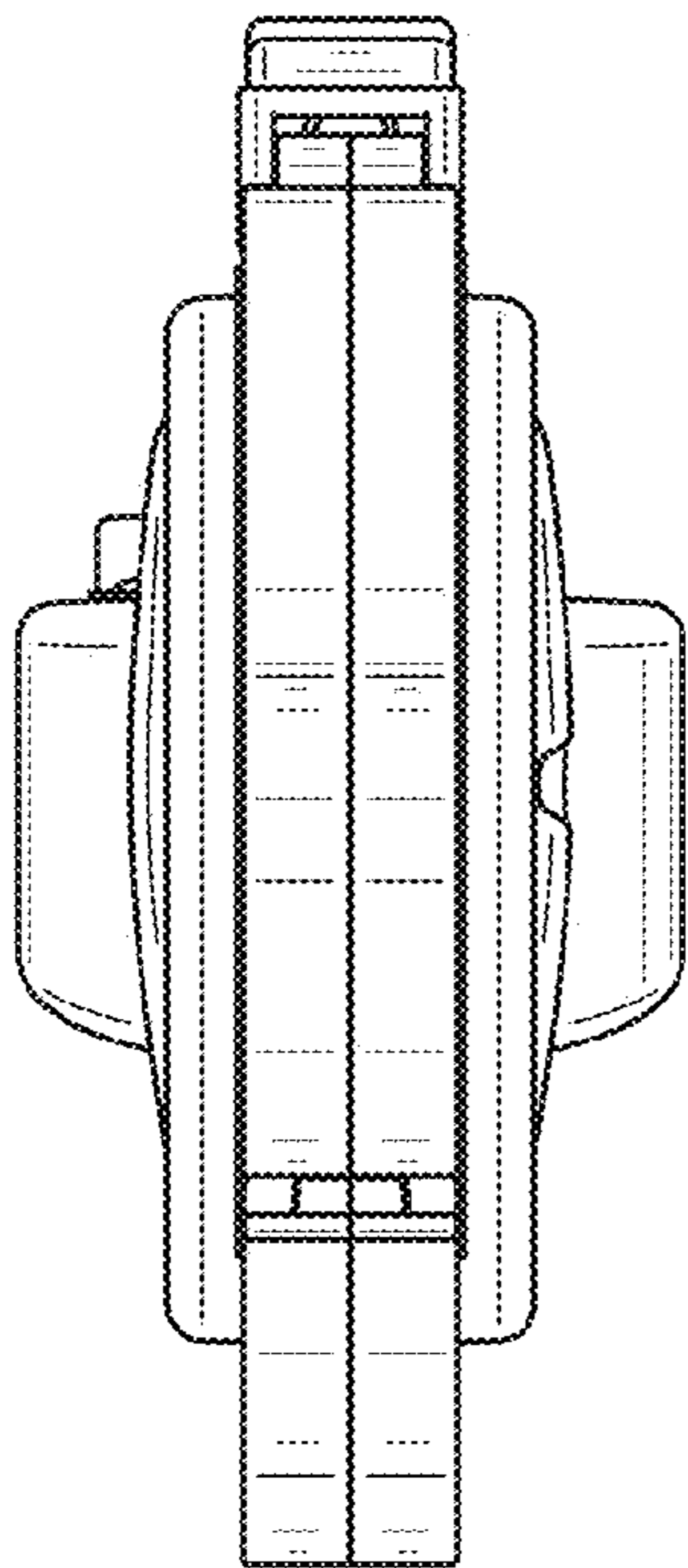


FIG. 4

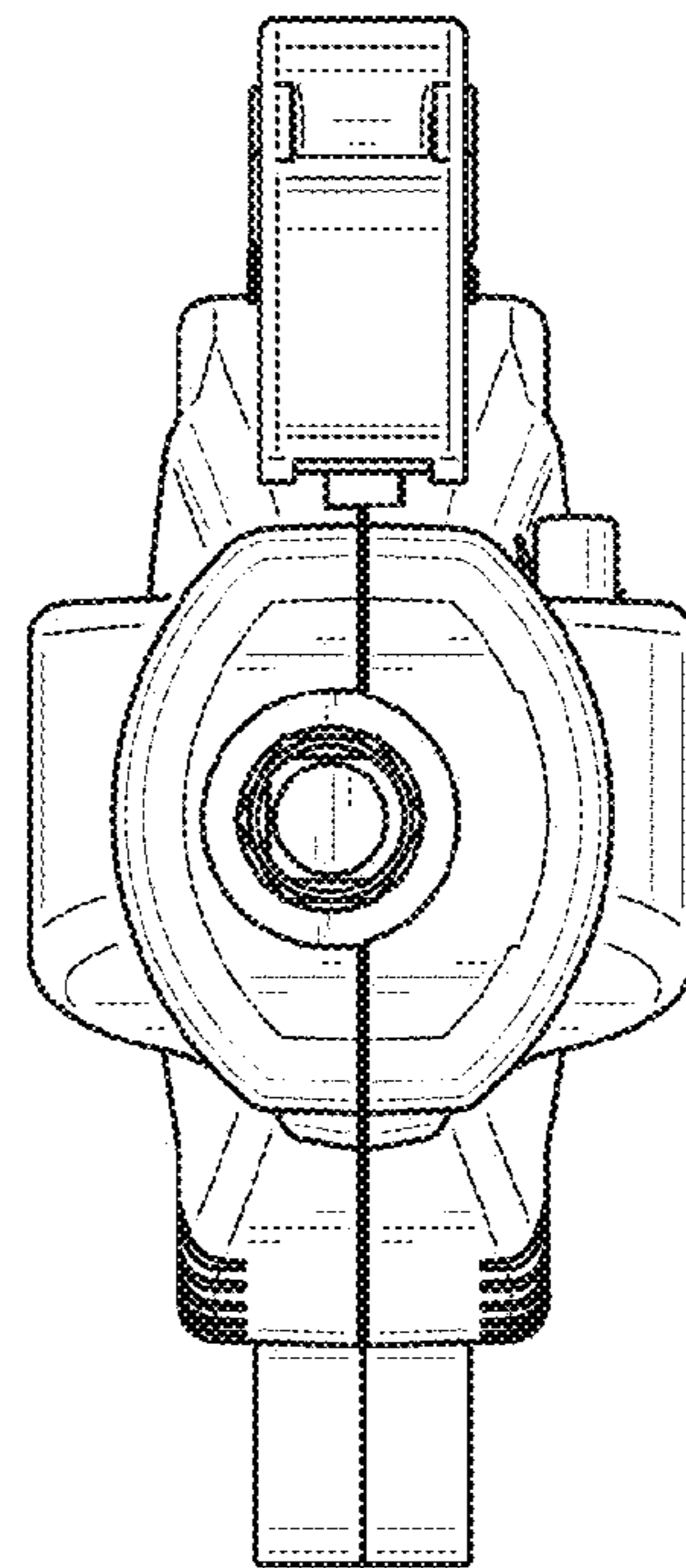


FIG. 5

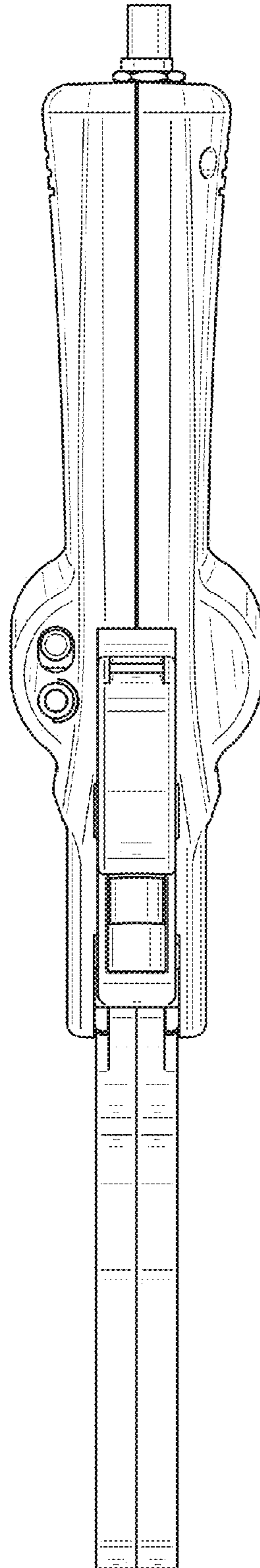


FIG. 6

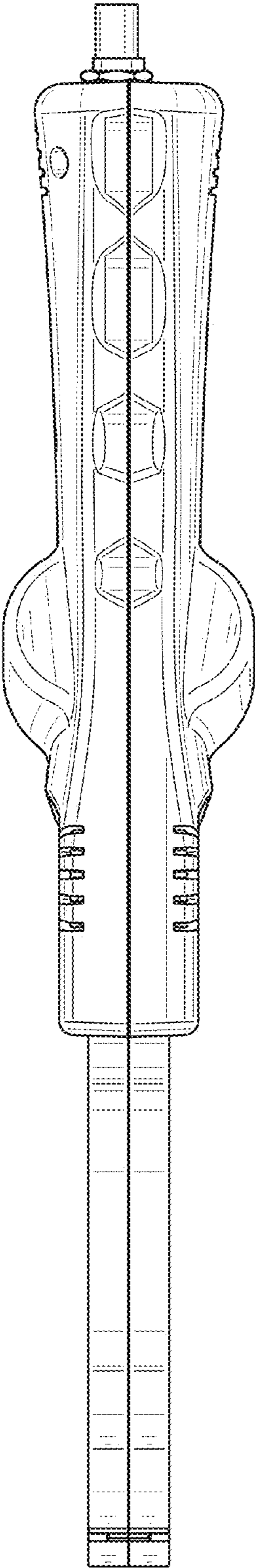


FIG. 7