



US00D725447S

(12) **United States Design Patent**
Gonzalez

(10) **Patent No.:** **US D725,447 S**
(45) **Date of Patent:** **** Mar. 31, 2015**

- (54) **HEAD OF HOE-RAKE**
- (71) Applicant: **Florentino Gonzalez**, Fontana, CA (US)
- (72) Inventor: **Florentino Gonzalez**, Fontana, CA (US)
- (**) Term: **14 Years**
- (21) Appl. No.: **29/489,888**
- (22) Filed: **May 5, 2014**
- (51) **LOC (10) Cl.** **08-01**
- (52) **U.S. Cl.**
USPC **D8/13; D8/6**
- (58) **Field of Classification Search**
USPC D8/6, 11, 13; 172/371-372, 375;
56/400.05, 400.06
See application file for complete search history.

| | | | | |
|--------------|---------|-----------|-------|---------|
| D370,603 S | 6/1996 | Lampman | | D8/11 |
| 5,609,215 A | 3/1997 | Rios | | 172/373 |
| D385,161 S * | 10/1997 | Grinde | | D8/13 |
| D392,854 S | 3/1998 | Gregory | | D8/13 |
| D427,032 S | 6/2000 | Holdcroft | | D8/11 |
| D507,944 S | 8/2005 | Crews | | D8/13 |
| D640,103 S * | 6/2011 | Paolini | | D8/13 |

* cited by examiner

Primary Examiner — Sheryl Lane

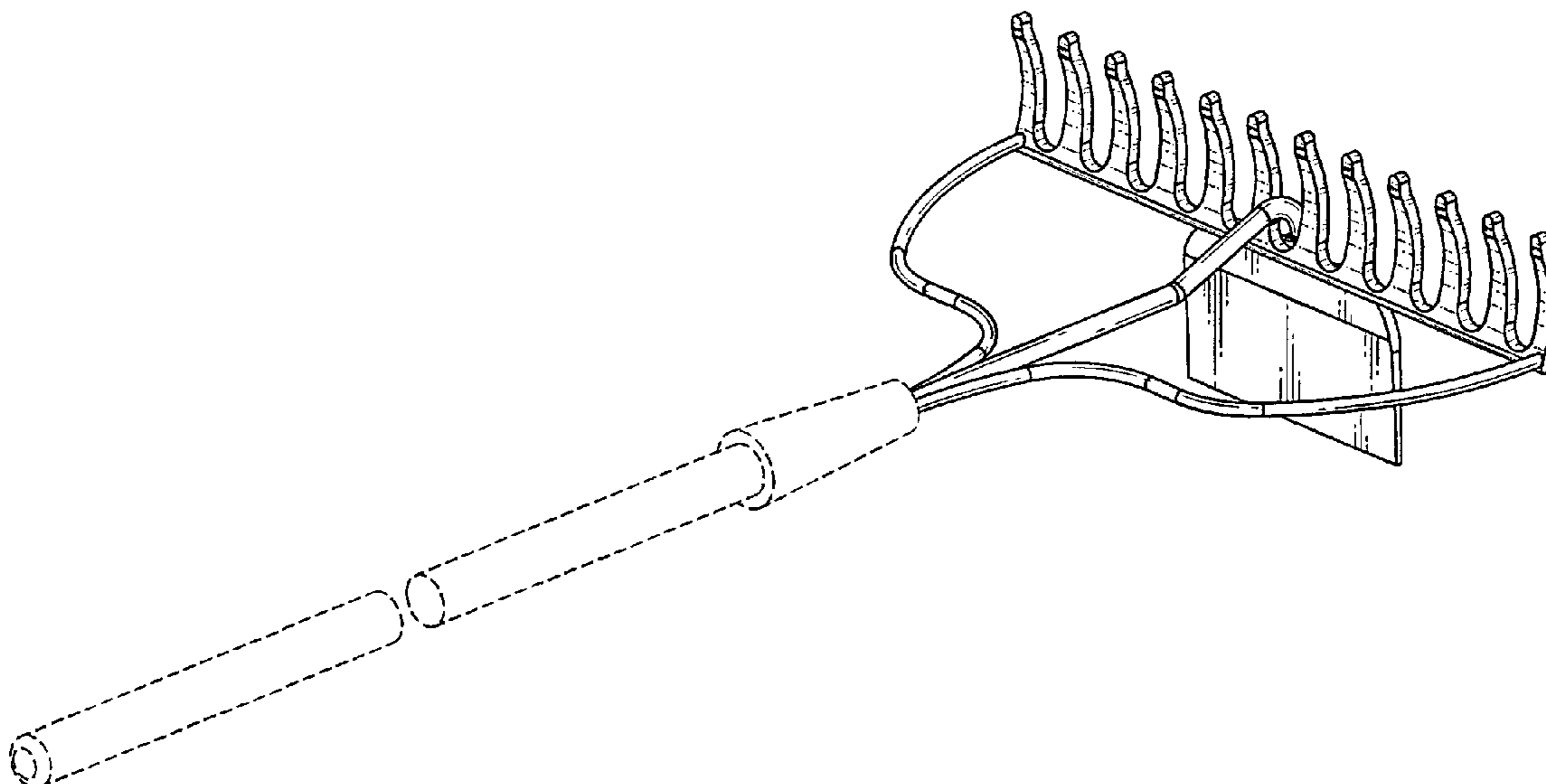
(57) **CLAIM**
The ornamental design for a “head of hoe-rake,” as shown and described.

DESCRIPTION

FIG. 1 is a front perspective view of a head of hoe-rake showing my new design;
 FIG. 2 is a rear perspective view of a head of hoe-rake thereof;
 FIG. 3 is rear elevation view thereof;
 FIG. 4 is front elevation view thereof;
 FIG. 5 is a bottom elevation view thereof;
 FIG. 6 is a top elevation view thereof;
 FIG. 7 is a right side elevation view thereof; and,
 FIG. 8 is a left side elevation view of a head of hoe-rake thereof.
 The broken lines are included for illustrating portions of the rake and form no part of the claimed design.

1 Claim, 6 Drawing Sheets

- (56) **References Cited**
U.S. PATENT DOCUMENTS
- | | | | | |
|---------------|---------|---------------|-------|-----------|
| 1,469,144 A * | 9/1923 | Harris | | 56/400.06 |
| 1,665,183 A * | 4/1928 | Urban | | 172/375 |
| D133,489 S * | 8/1942 | Wurster | | D8/6 |
| D230,247 S * | 2/1974 | Parry | | D8/6 |
| 3,921,725 A * | 11/1975 | Trutor et al. | | 172/375 |
| D293,875 S | 1/1988 | Roper | | D8/6 |
| 5,411,101 A * | 5/1995 | Bonavitacola | | 172/378 |
| 5,425,226 A | 6/1995 | Kaufman | | 56/400.06 |



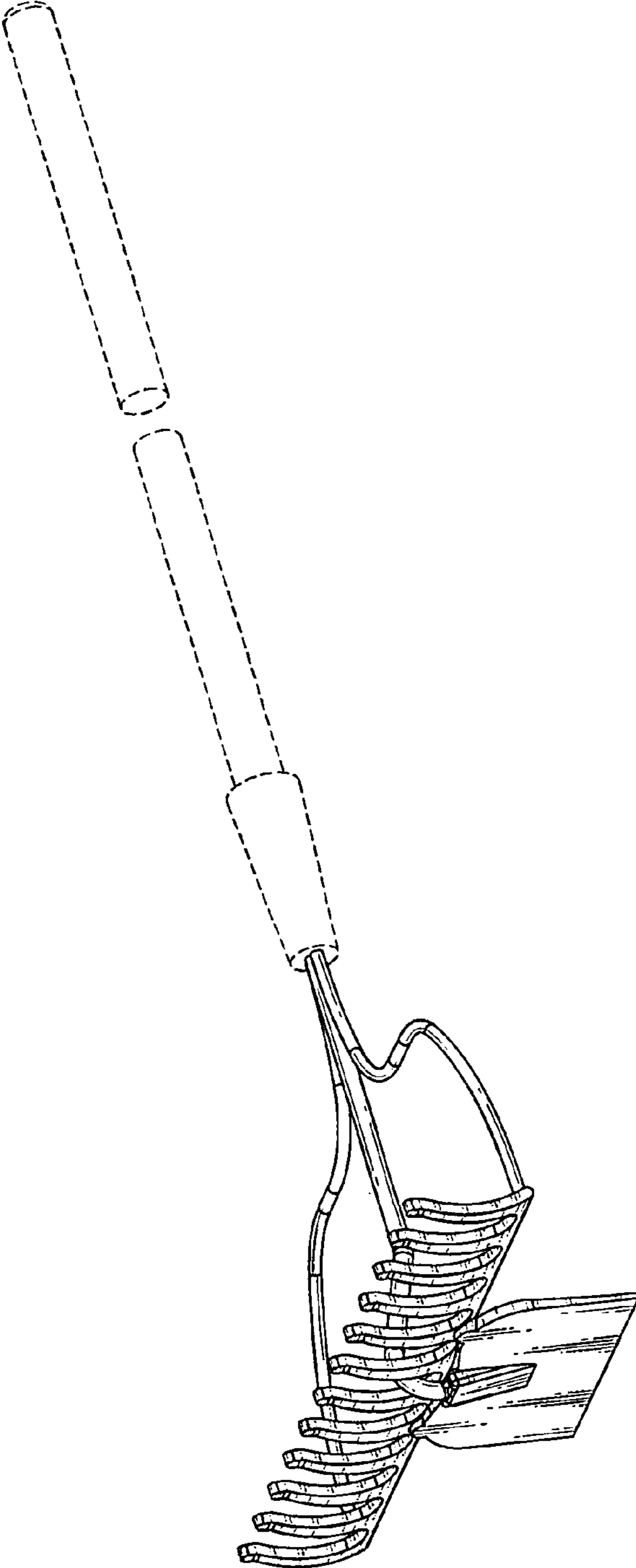


FIG.1

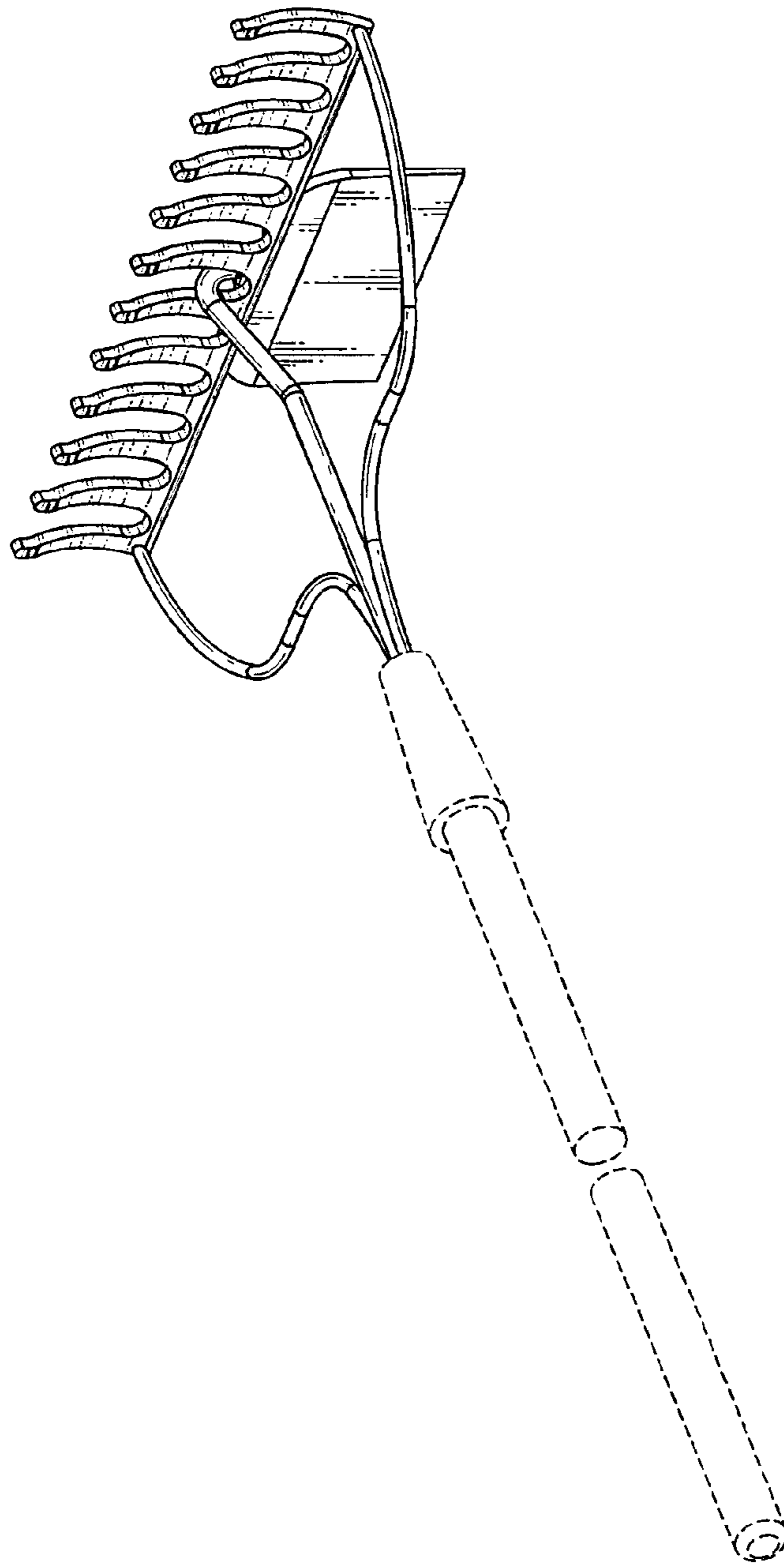


FIG.2

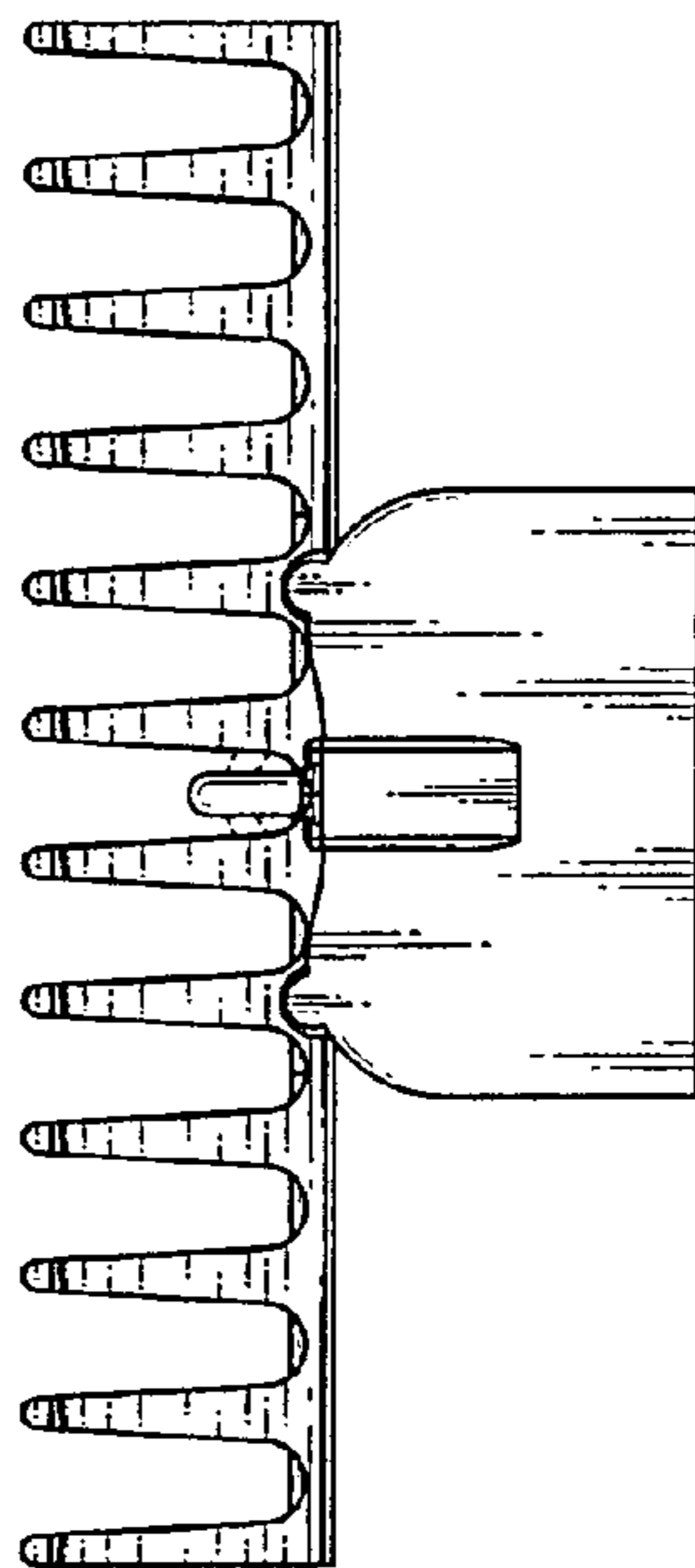


FIG.4

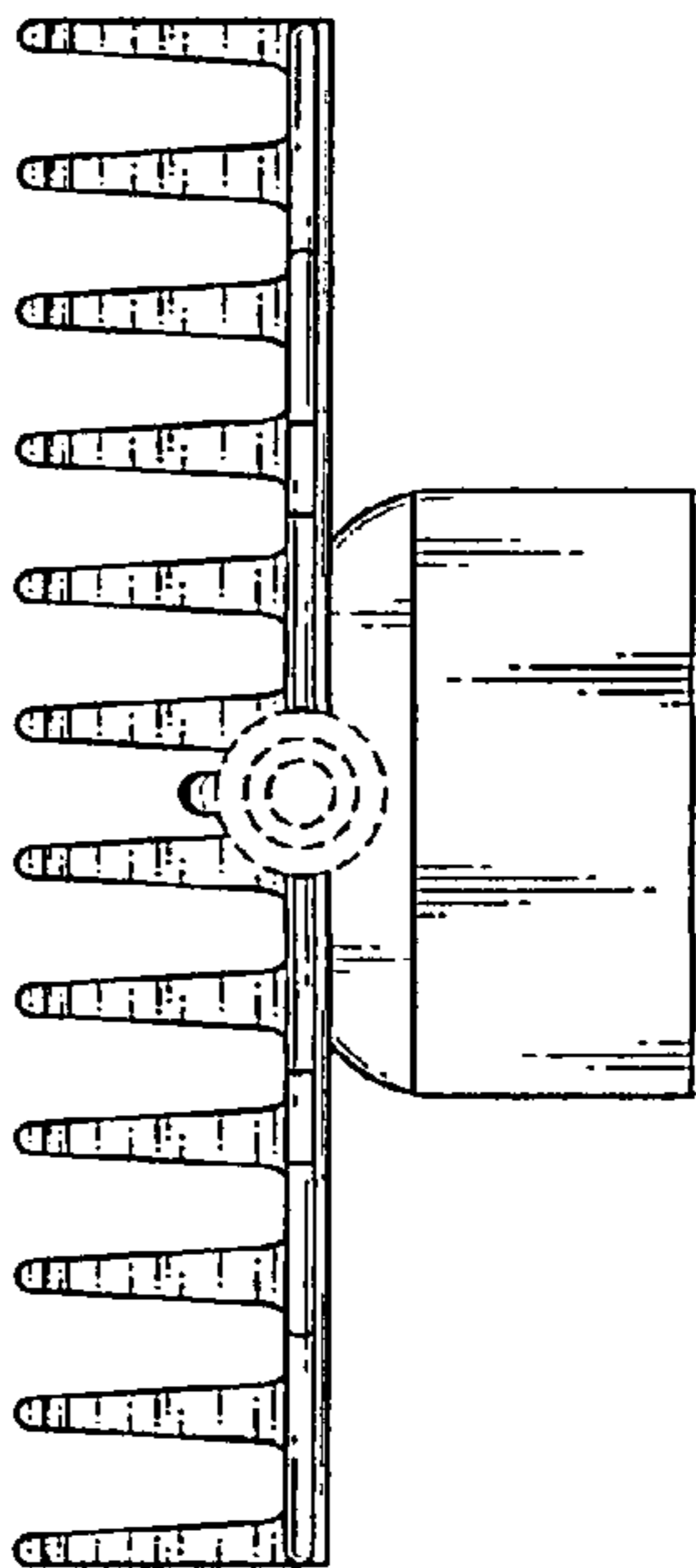


FIG.3

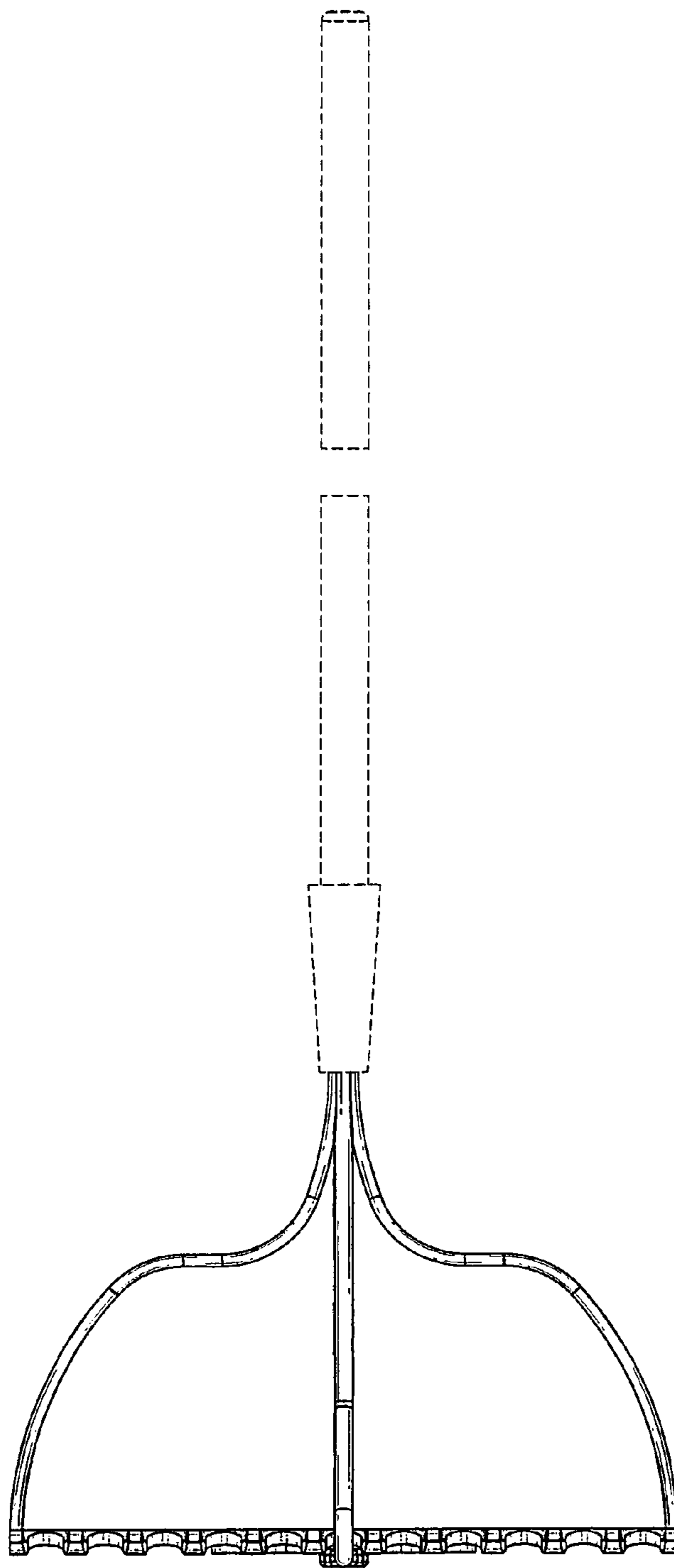


FIG.5

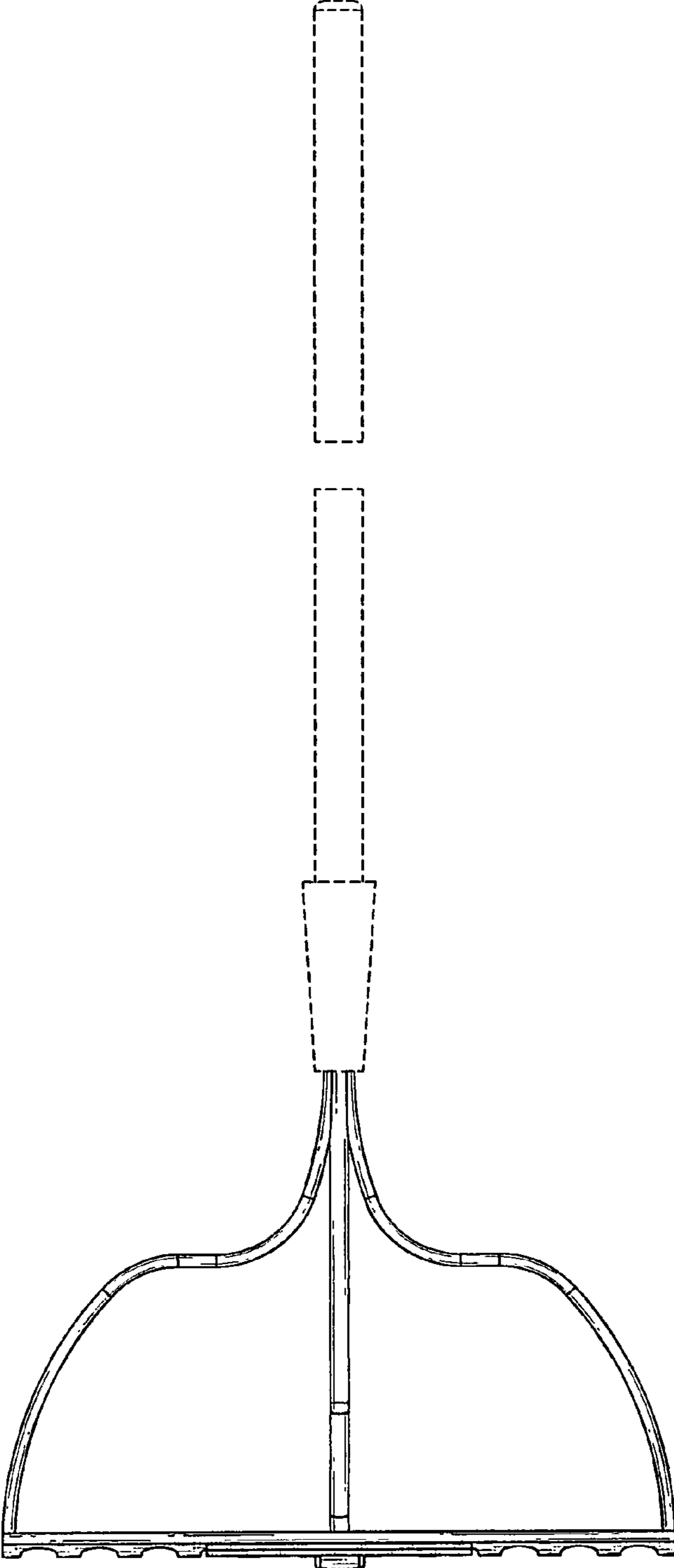


FIG.6

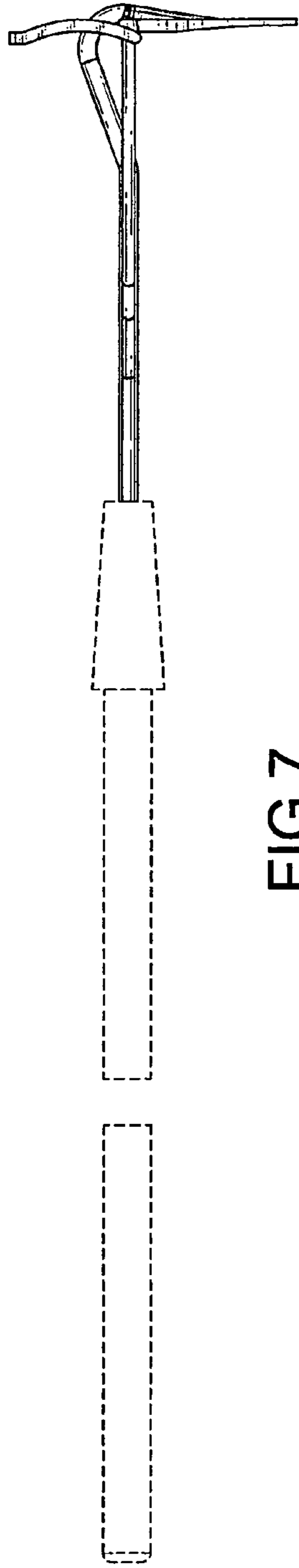


FIG. 7

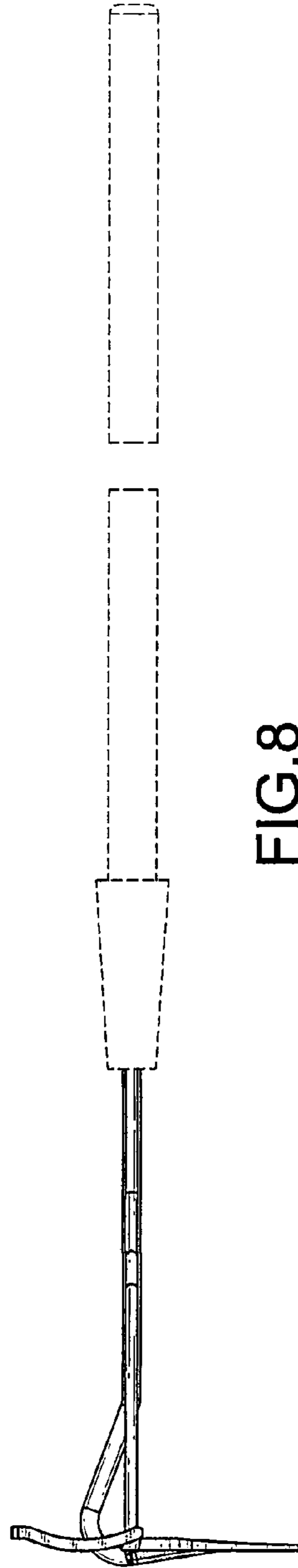


FIG. 8