

US00D725446S

(12) **United States Design Patent**  
**Zupan**

(10) **Patent No.:** **US D725,446 S**  
(45) **Date of Patent:** **\*\* Mar. 31, 2015**

- (54) **MULTI-PURPOSE TOOL**
- (71) Applicant: **Andy Zupan**, Oklahoma City, OK (US)
- (72) Inventor: **Andy Zupan**, Oklahoma City, OK (US)
- (\*\*) Term: **14 Years**
- (21) Appl. No.: **29/460,427**
- (22) Filed: **Jul. 10, 2013**
- (51) **LOC (10) Cl.** ..... **08-01**
- (52) **U.S. Cl.**  
USPC ..... **D8/13; D8/6**
- (58) **Field of Classification Search**  
USPC ..... **D8/6, 11, 13; 172/371-372, 375;**  
**56/400.05, 400.06**  
See application file for complete search history.

- D392,854 S \* 3/1998 Gregory ..... D8/13
- D427,032 S \* 6/2000 Holdcroft ..... D8/11
- D500,943 S \* 1/2005 Orozco ..... D8/13
- D508,639 S \* 8/2005 Long ..... D8/13
- D640,103 S \* 6/2011 Paolini ..... D8/13

\* cited by examiner

*Primary Examiner* — Sheryl Lane

(74) *Attorney, Agent, or Firm* — Hall Estill Law Firm

(57) **CLAIM**

I claim the ornamental design for a multi-purpose tool, as shown and described.

**DESCRIPTION**

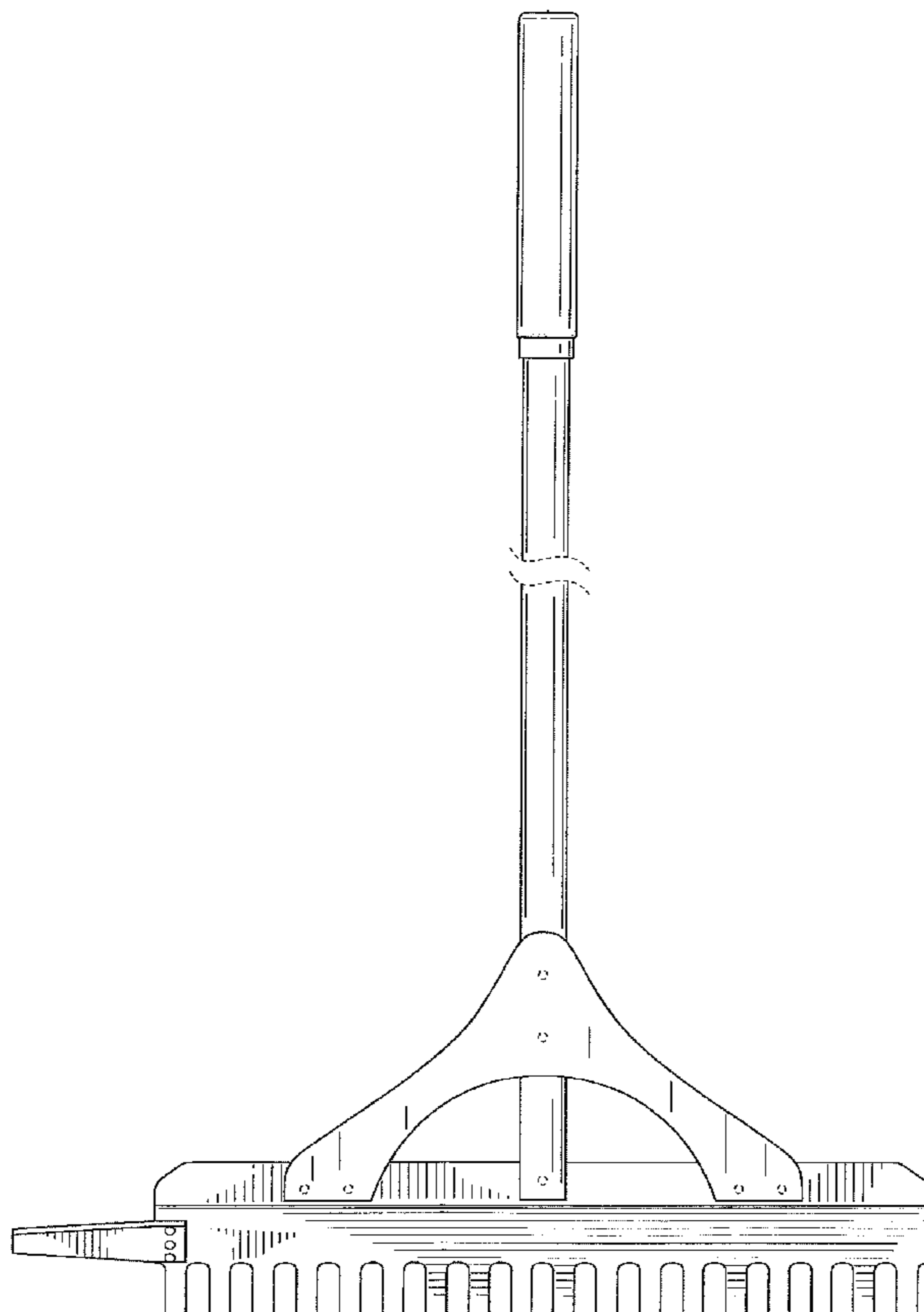
FIG. 1 is a front elevational view of a multi-purpose tool.  
 FIG. 2 is a rear elevational view thereof.  
 FIG. 3 is a side elevational view thereof.  
 FIG. 4 is an elevational view of a side opposite that shown in FIG. 3.  
 FIG. 5 is a top plan view thereof; and,  
 FIG. 6 is a bottom plan view thereof.  
 The broken line depiction of the multi-purpose tool is for the purpose of showing portions of the multi-purpose tool and forms no part of the claimed design.  
 Any portion of the tool handle between the break lines forms no part of the claimed design.

(56) **References Cited**

**U.S. PATENT DOCUMENTS**

- D133,489 S \* 8/1942 Wurster ..... D8/6
- 2,795,923 A \* 6/1957 Kapuczin ..... 56/400.05
- D230,247 S \* 2/1974 Parry ..... D8/6
- 4,602,474 A \* 7/1986 Palumbo ..... 56/400.05
- D293,875 S \* 1/1988 Roper ..... D8/6
- 5,004,053 A \* 4/1991 Martell ..... 172/375
- 5,425,226 A \* 6/1995 Kaufman ..... 56/400.06
- D370,603 S \* 6/1996 Lampman ..... D8/13

**1 Claim, 4 Drawing Sheets**



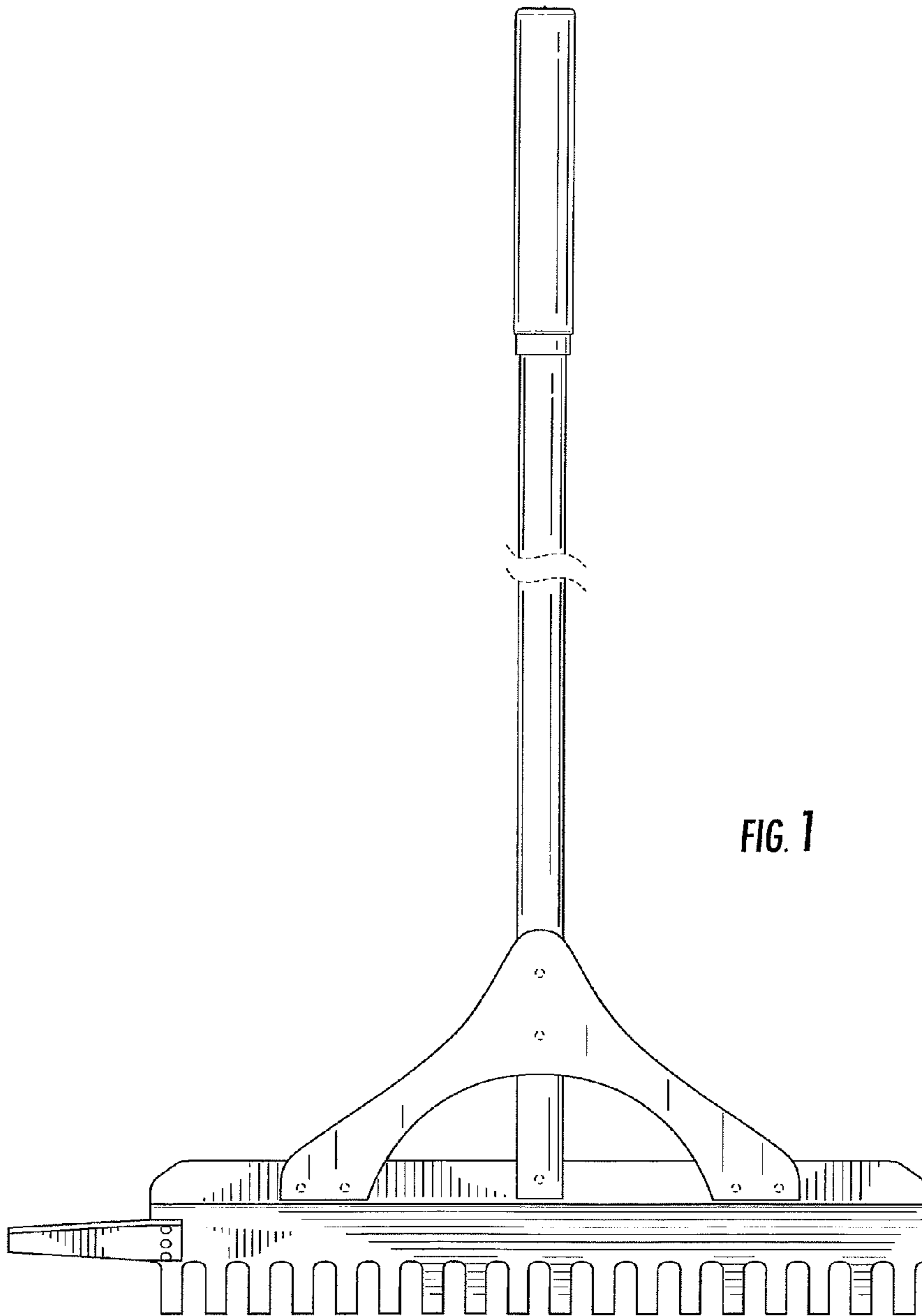


FIG. 1

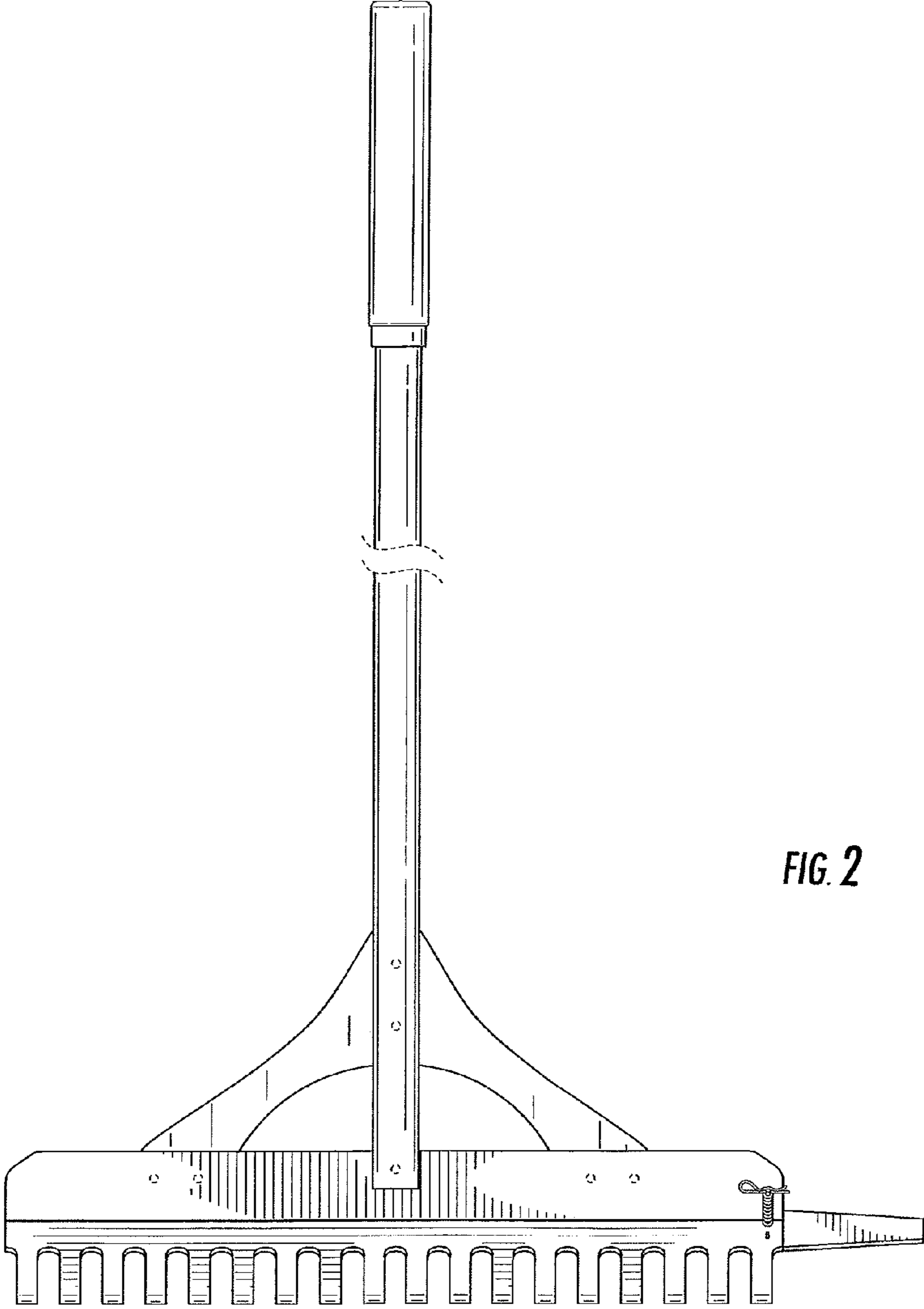


FIG. 2

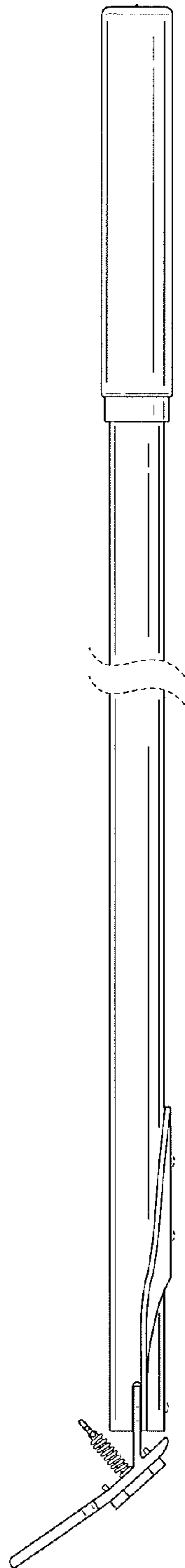


FIG. 3

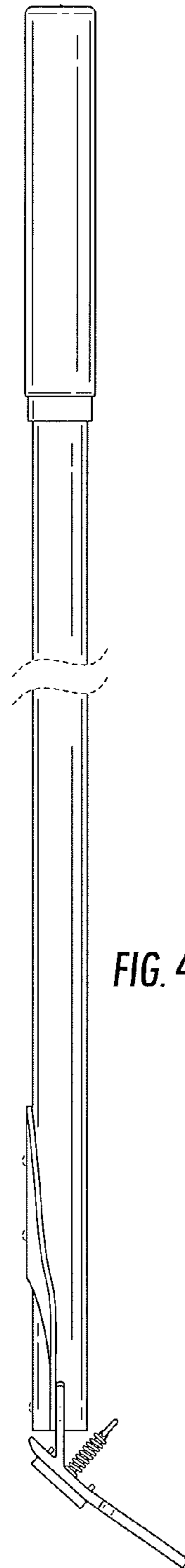


FIG. 4

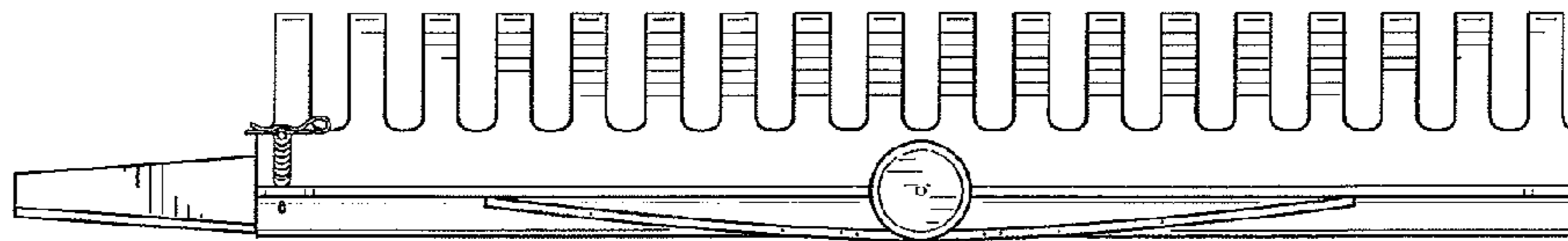


FIG. 6

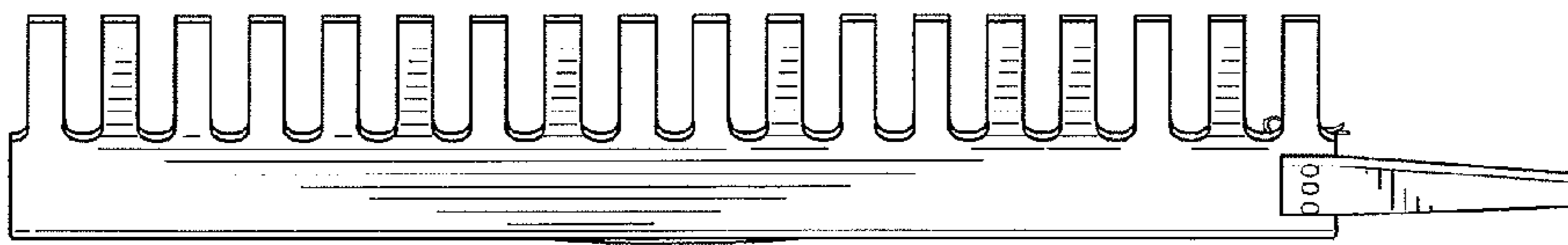


FIG. 5