



US00D725444S

(12) **United States Design Patent**  
**Cline et al.**

(10) **Patent No.:** **US D725,444 S**  
(45) **Date of Patent:** **\*\* Mar. 31, 2015**

(54) **FRUIT CUTTER**

(71) Applicants: **Carrie Cline**, Milford, CT (US);  
**Cynthia Mockler**, North Haven, CT (US)

(72) Inventors: **Carrie Cline**, Milford, CT (US);  
**Cynthia Mockler**, North Haven, CT (US)

(\*\*) Term: **14 Years**

(21) Appl. No.: **29/462,437**

(22) Filed: **Aug. 3, 2013**

(51) **LOC (10) Cl.** ..... **07-04**

(52) **U.S. Cl.**  
USPC ..... **D7/676**

(58) **Field of Classification Search**  
USPC ..... D7/672-677; 30/301, 299, 303, 312,  
30/305, 314, 315, 152, 316, 321, 358, 559,  
30/367, 154, 155, 159; 99/353, 357, 354  
See application file for complete search history.

(56) **References Cited**

**U.S. PATENT DOCUMENTS**

D127,026 S \* 5/1941 Miller et al. .... D7/676  
4,245,973 A \* 1/1981 Greaney ..... 425/276

D305,142 S \* 12/1989 Bateman et al. .... D21/619  
D347,976 S \* 6/1994 Lombardi ..... D7/676  
5,662,010 A \* 9/1997 Barnett ..... 30/315  
D404,977 S \* 2/1999 Rosby ..... D7/675  
D605,000 S \* 12/2009 Ablo ..... D7/675  
D614,456 S \* 4/2010 Ablo ..... D7/675  
D672,213 S \* 12/2012 Abrams ..... D7/675  
2004/0187317 A1 \* 9/2004 Wood ..... 30/315

\* cited by examiner

*Primary Examiner* — Terry Wallace

(57) **CLAIM**

The ornamental design for a fruit cutter, as shown and described.

**DESCRIPTION**

FIG. 1 is a perspective view of a fruit cutter showing our new design.

FIG. 2 is a front view thereof.

FIG. 3 is a rear view thereof.

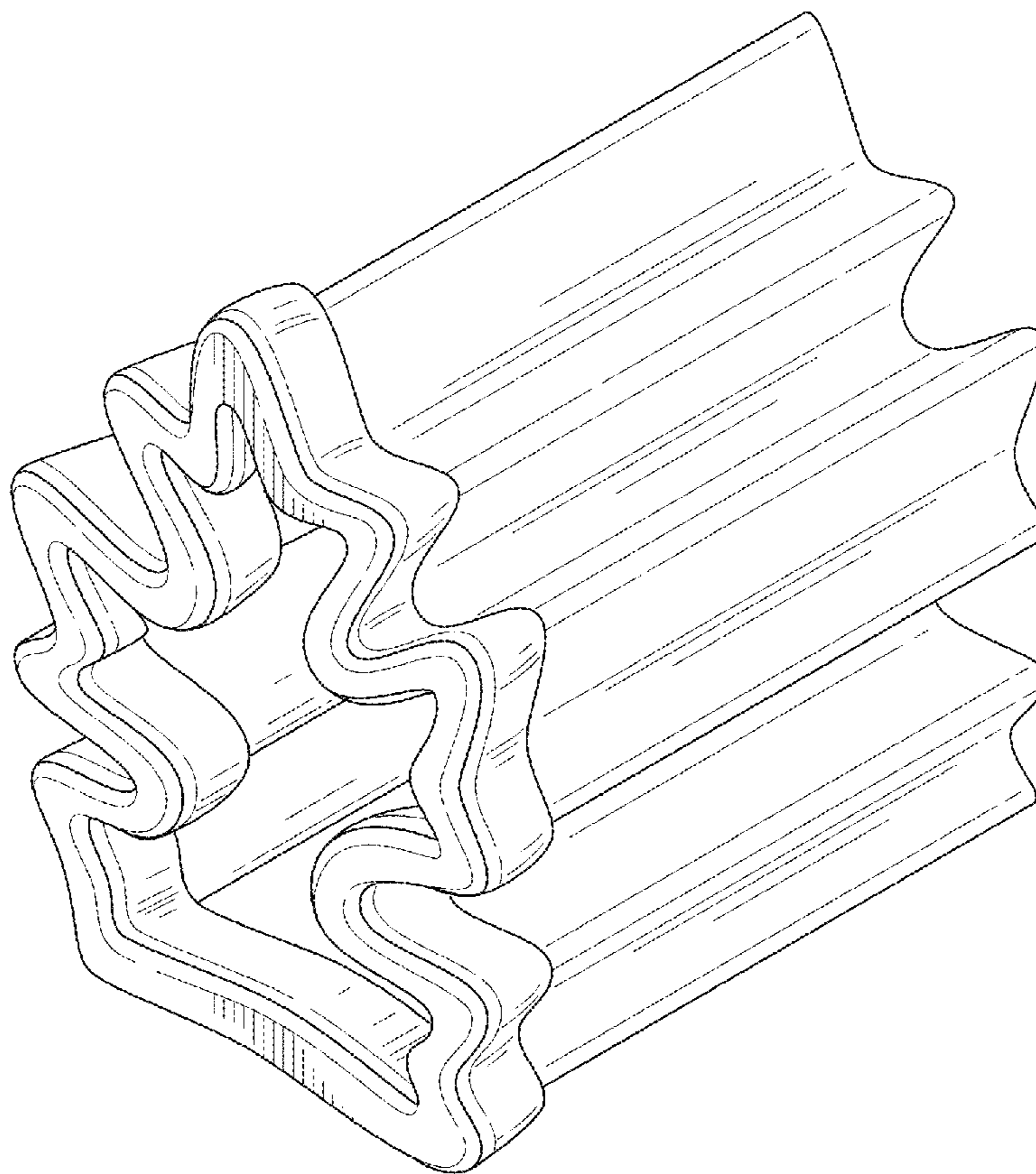
FIG. 4 is a right side view thereof.

FIG. 5 is a left side view thereof.

FIG. 6 is a top plan view thereof; and,

FIG. 7 is a bottom plan view thereof.

**1 Claim, 7 Drawing Sheets**



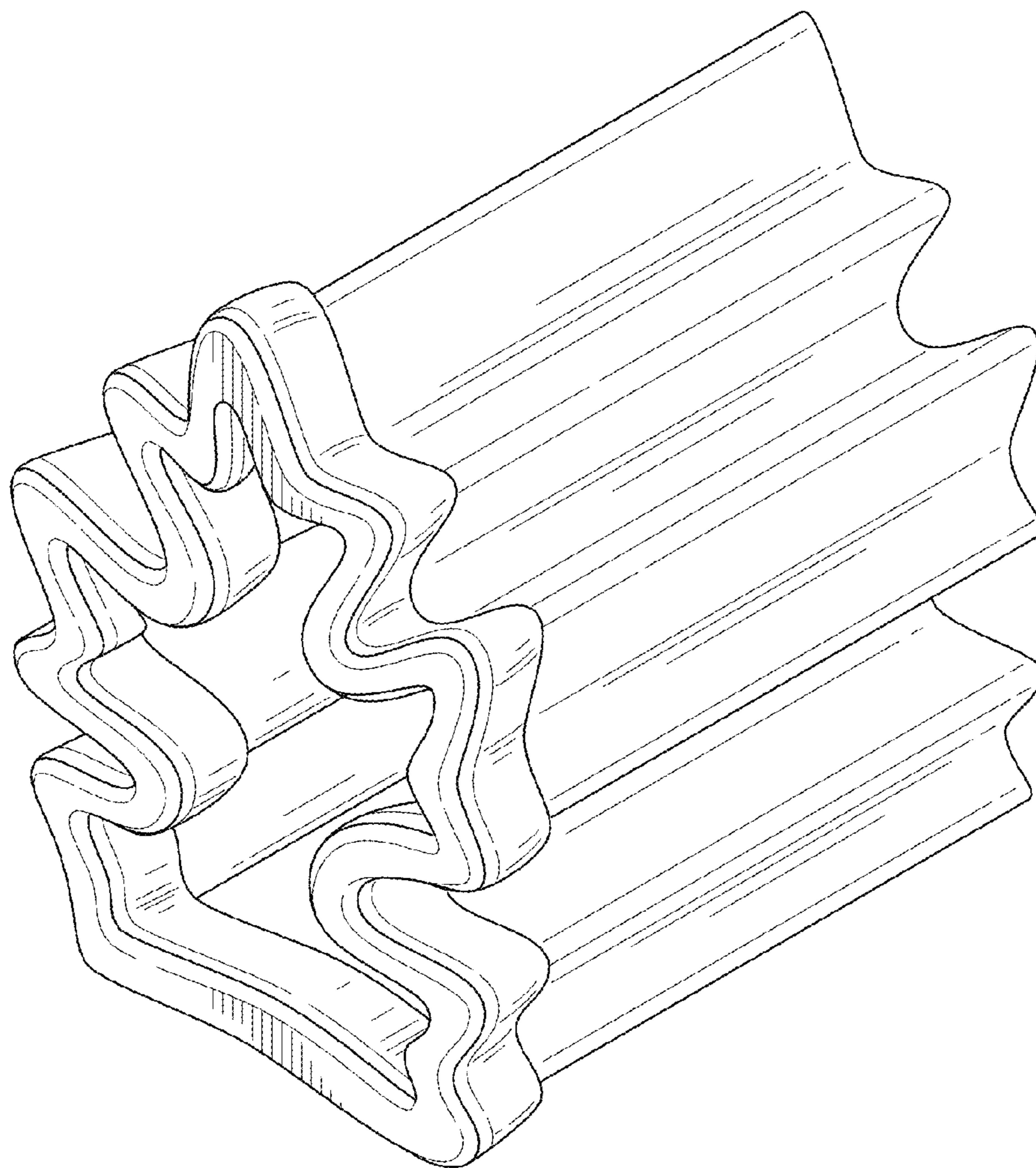


FIG. 1

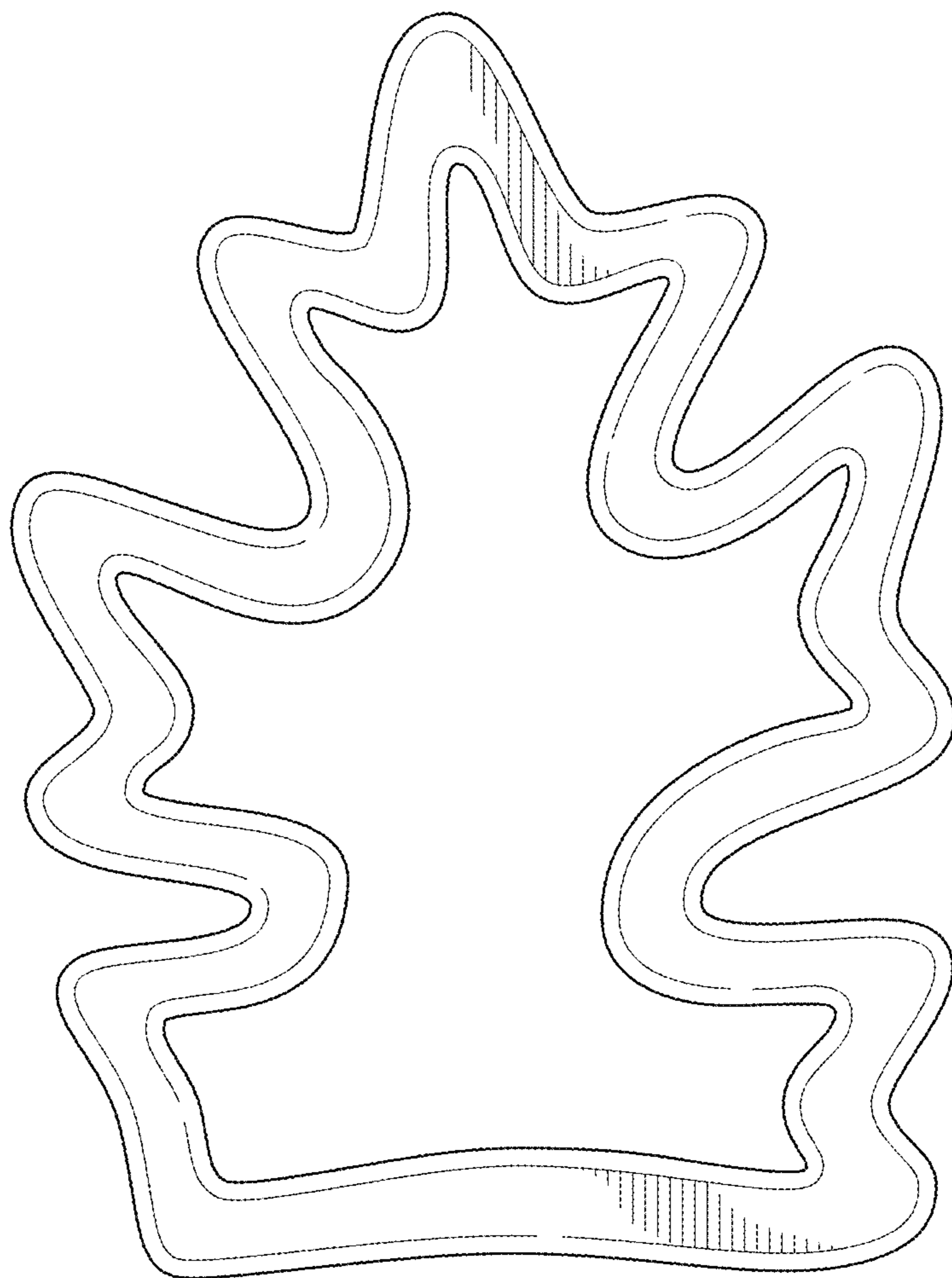
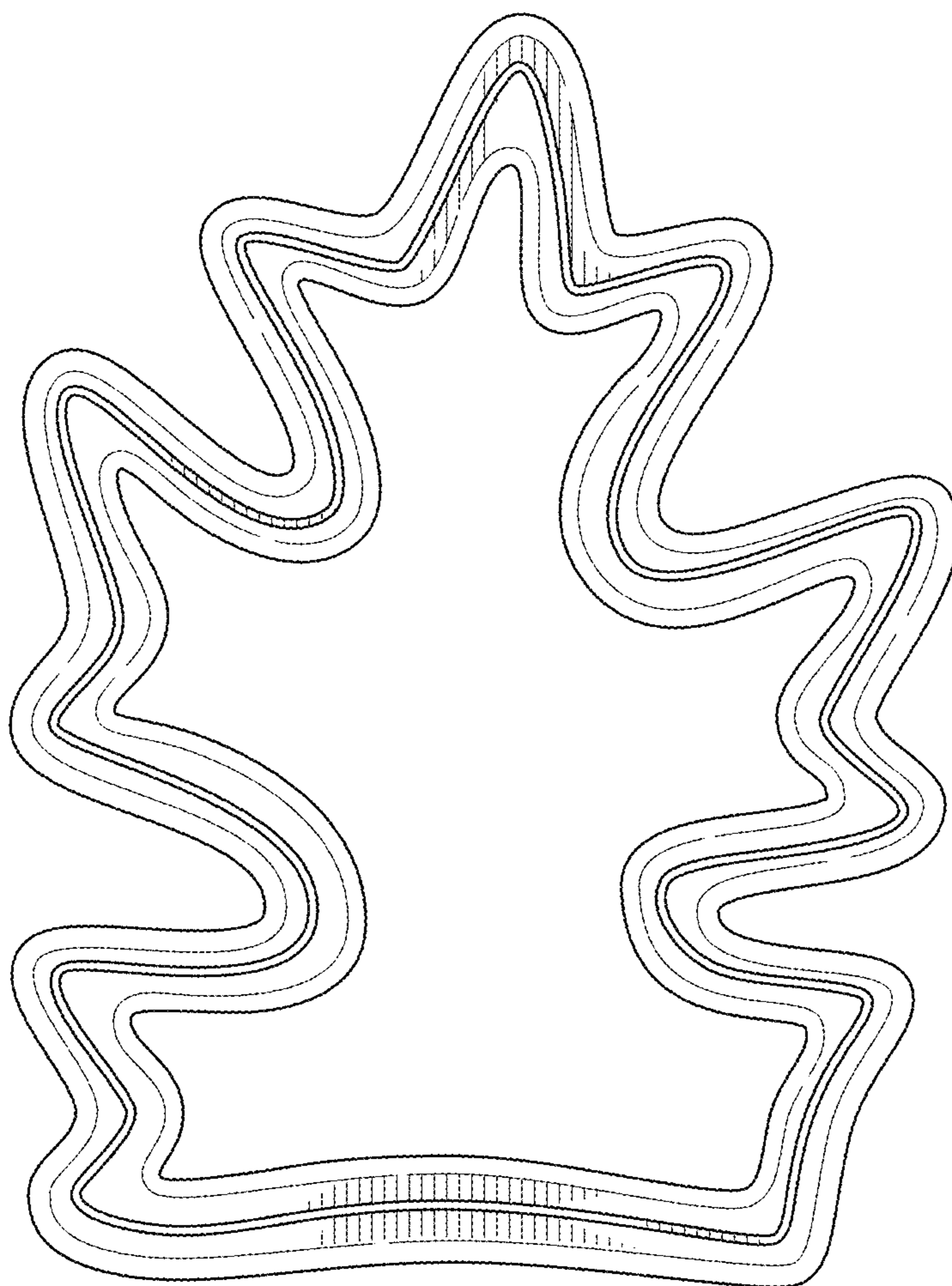


FIG. 2



**FIG. 3**

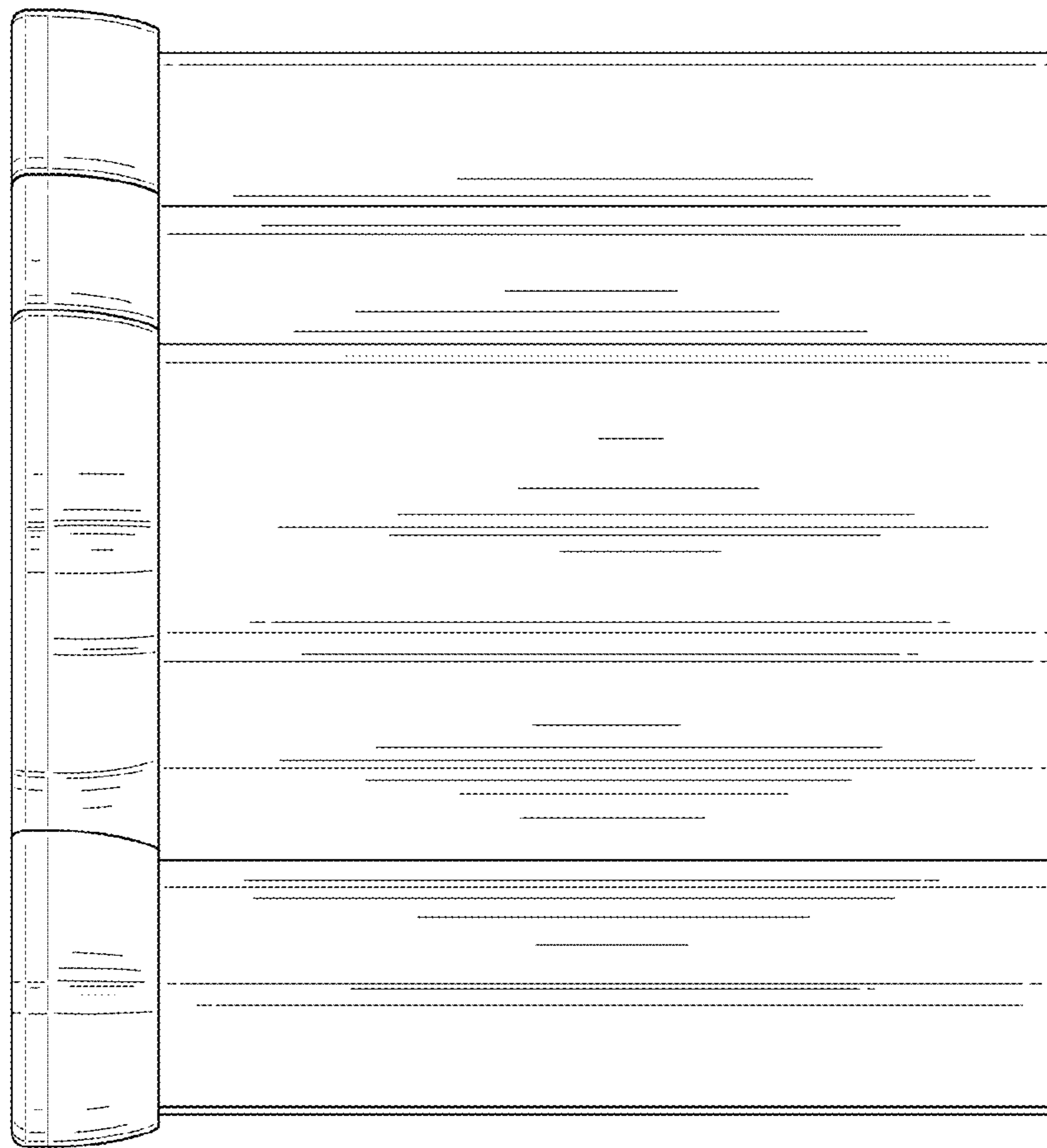
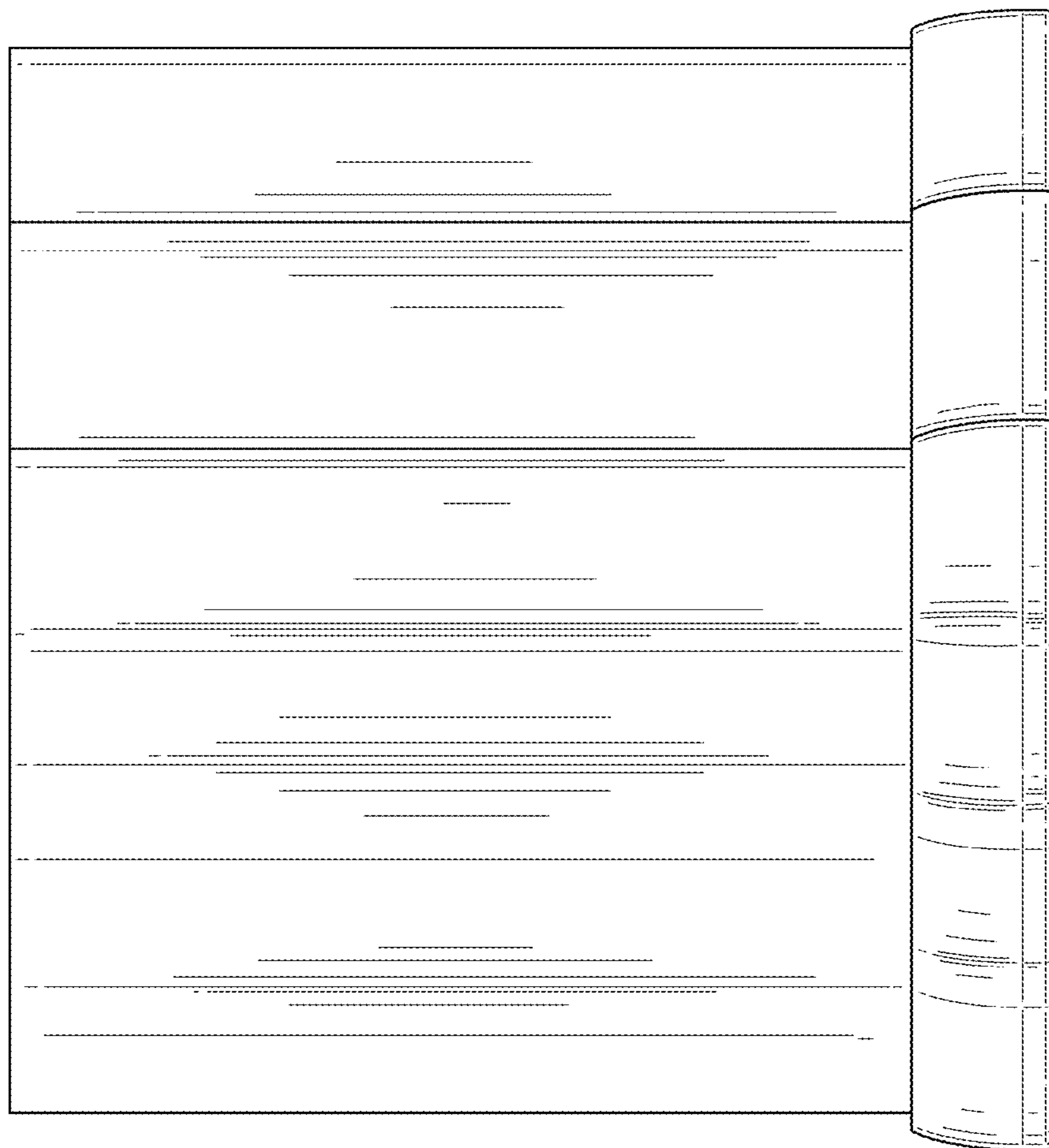
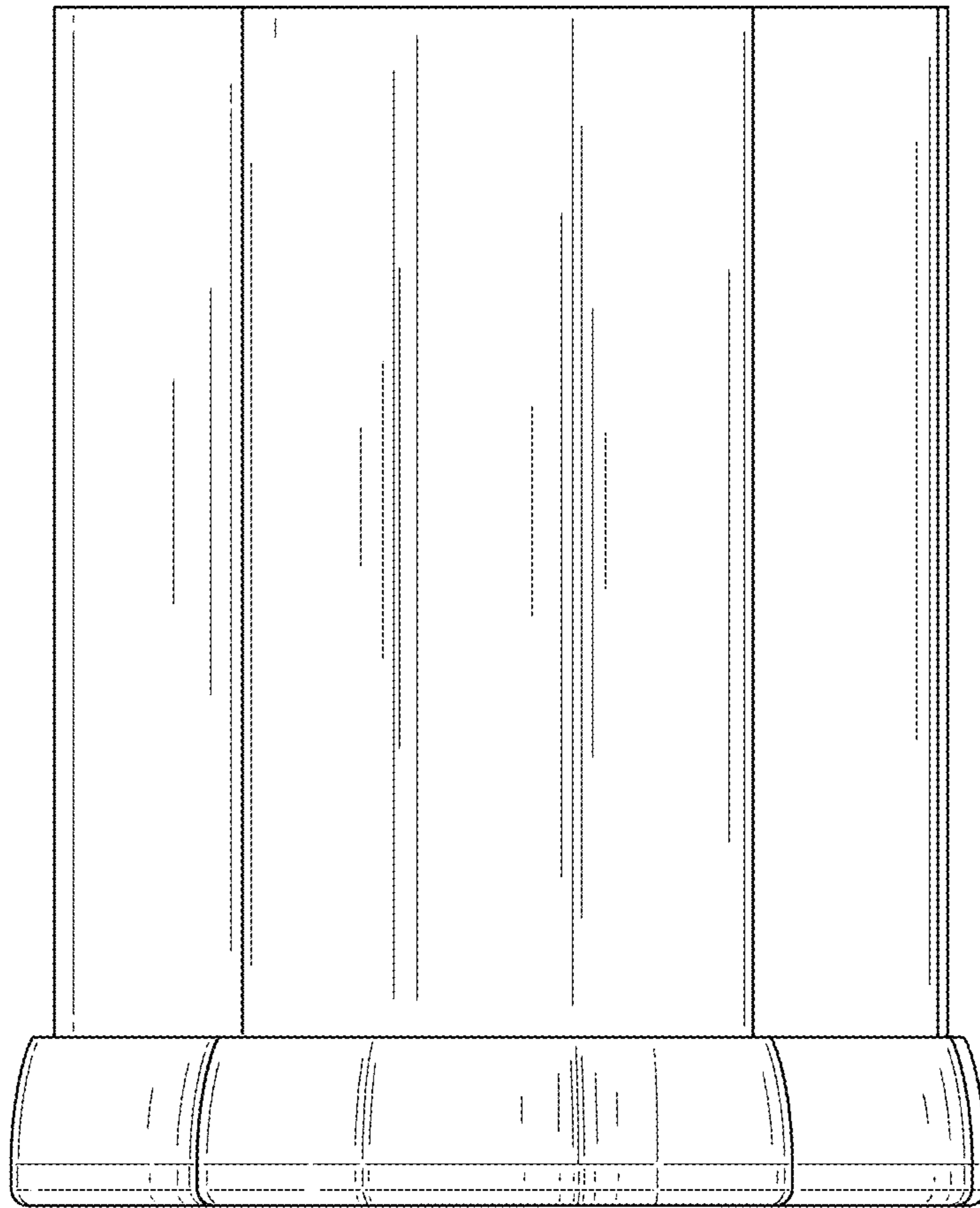


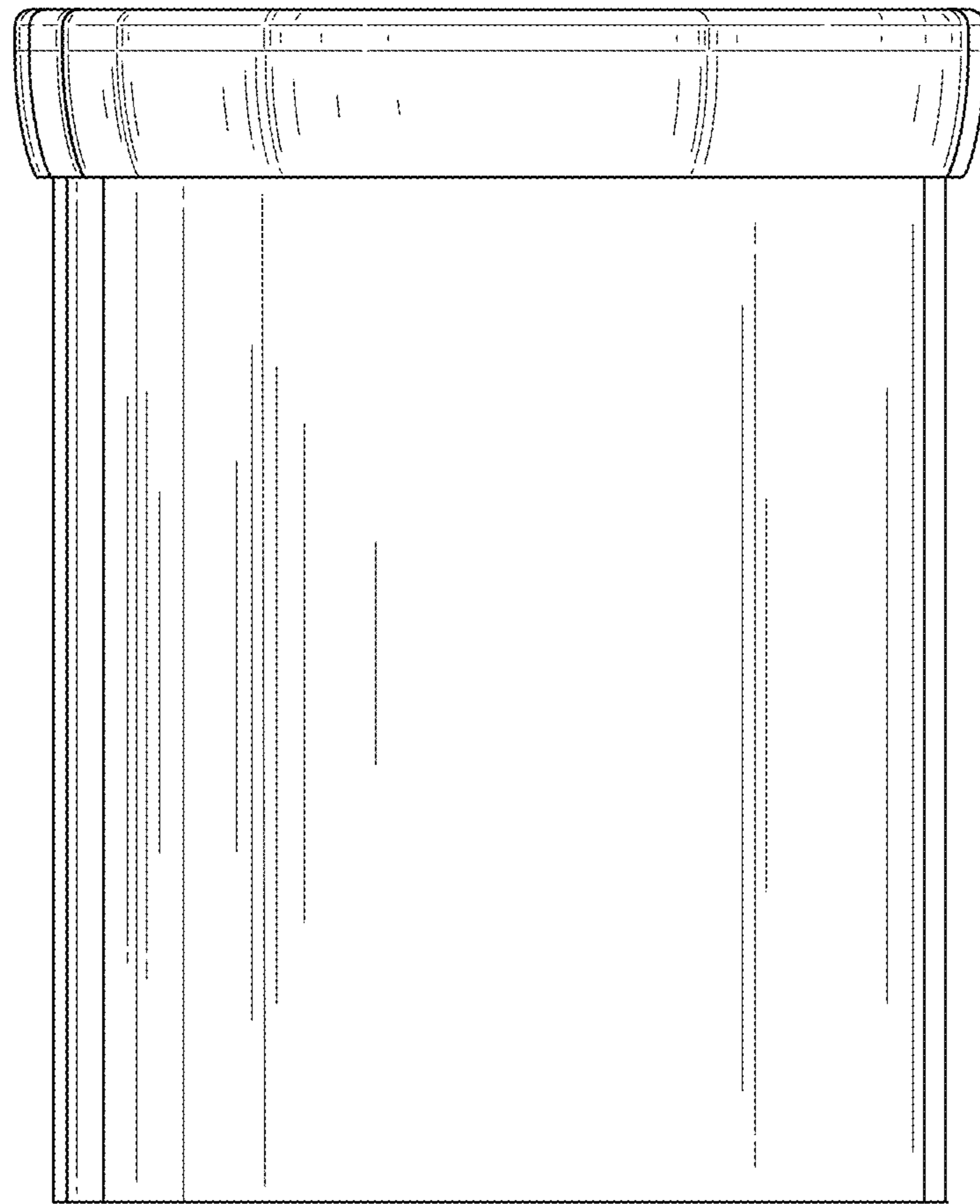
FIG. 4



**FIG. 5**



**FIG. 6**



**FIG. 7**