



US00D725440S

(12) **United States Design Patent**  
**Kim**

(10) **Patent No.:** **US D725,440 S**  
(45) **Date of Patent:** **\*\* Mar. 31, 2015**

(54) **JUICE EXTRACTOR**

(71) Applicant: **Young Ki Kim**, Gimhae-si (KR)

(72) Inventor: **Young Ki Kim**, Gimhae-si (KR)

(\*\*) Term: **14 Years**

(21) Appl. No.: **29/464,170**

(22) Filed: **Aug. 13, 2013**

(30) **Foreign Application Priority Data**

Feb. 26, 2013 (KR) ..... 30-2013-0009985

(51) **LOC (10) Cl.** ..... **07-04**

(52) **U.S. Cl.**  
USPC ..... **D7/665**

(58) **Field of Classification Search**

CPC ..... A47J 19/02; A47J 19/027; A47J 19/00;  
A47J 19/06; A47J 19/022; A47J 19/025;  
A47J 44/00; A47J 44/02; A47J 43/00; A47J  
43/25; A47J 43/046; A47J 43/0722; A47J  
31/00; A47J 31/005; A47J 31/02; A47J 31/04;  
A47J 42/02; A23N 1/02; A23N 1/00; A23N  
1/003; A23N 1/006; B30B 9/02  
USPC ..... D7/368, 665-667, 412, 376-386, 372,  
D7/373, 375, 374, 300, 304, 305, 309, 310,  
D7/311, 312, 313; 241/92, 101.1-101.73,  
241/285.1-285.3, 36, 37.5, 100, 282.1;  
99/501-513, 495, 499, 348, 357, 349,  
99/369, 370, 496-497, 279, 280, 284,  
99/290; 366/98, 142, 197-211, 241-254,  
366/279-292, 341-347, 64-67; 100/213,  
100/218, 283, 288, 208; 416/75, 70 R, 76,  
416/77

See application file for complete search history.

(56) **References Cited**

**U.S. PATENT DOCUMENTS**

D118,270 S \* 12/1939 Strauss ..... D7/372  
2,345,683 A \* 4/1944 Owens ..... 100/98 R

D222,209 S \* 10/1971 Dykes ..... D7/372  
D236,283 S \* 8/1975 McCue ..... D7/372  
D246,150 S 10/1977 Evangelista  
D251,404 S 3/1979 Ackeret  
D251,405 S 3/1979 Ackeret  
D253,083 S 10/1979 Lam  
D255,969 S 7/1980 Steinkamp  
D290,329 S 6/1987 Bulto  
D295,481 S 5/1988 Biarnes Bulto  
D309,083 S 7/1990 Kahlcke  
D311,842 S 11/1990 Ogvist et al.  
D316,212 S 4/1991 Seal, Jr.  
D316,654 S 5/1991 Anderson et al.  
D318,402 S 7/1991 Barrault  
D319,948 S 9/1991 Anderson et al.  
D333,412 S 2/1993 Levin  
5,381,730 A \* 1/1995 Kim ..... 99/510  
5,396,836 A \* 3/1995 Kim ..... 99/510  
D362,597 S 9/1995 Kim

(Continued)

*Primary Examiner* — Ian Simmons

*Assistant Examiner* — Shannon Morgan

(74) *Attorney, Agent, or Firm* — Edward J. Baba; Bozicevic,  
Field & Francis LLP

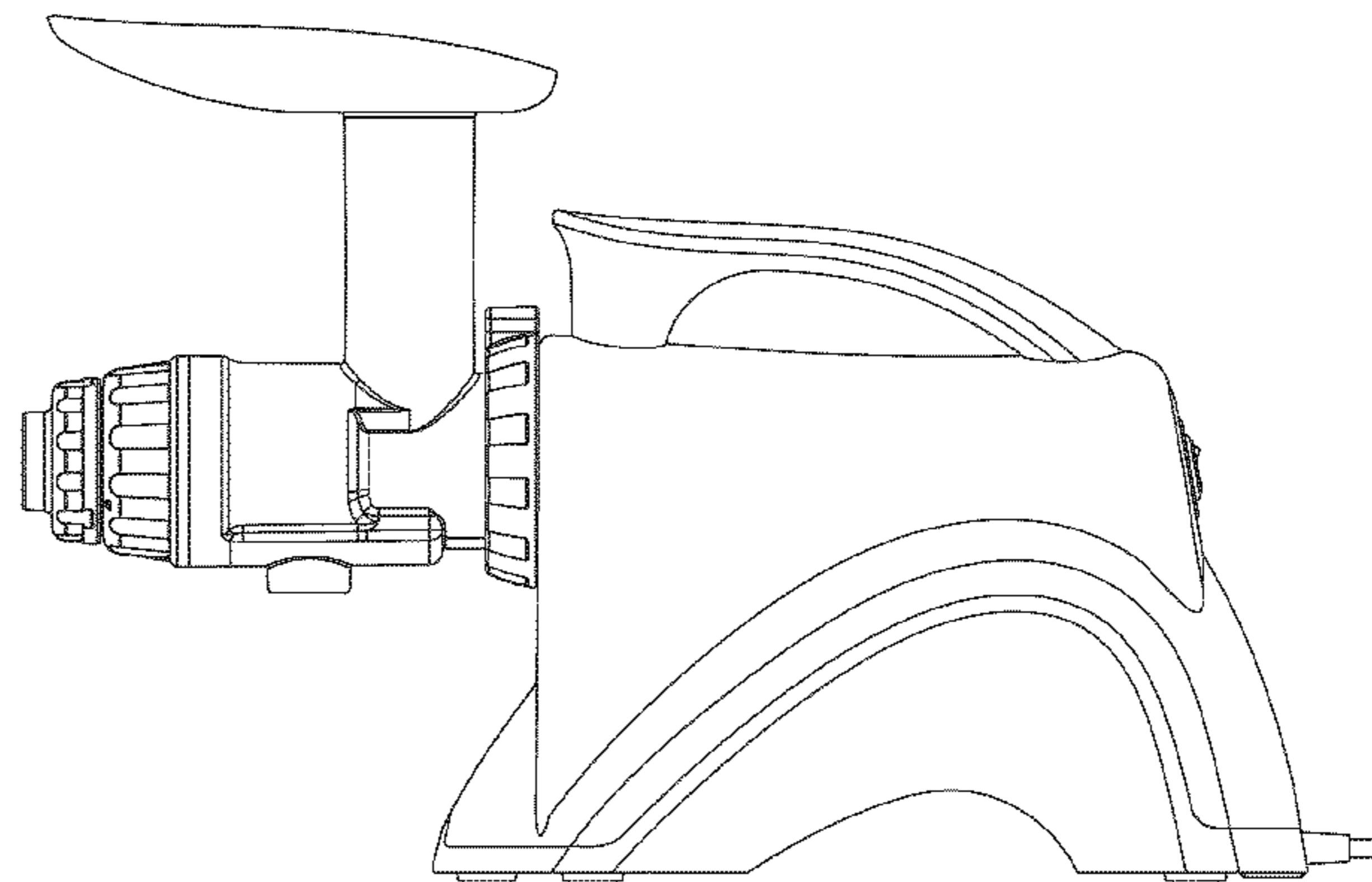
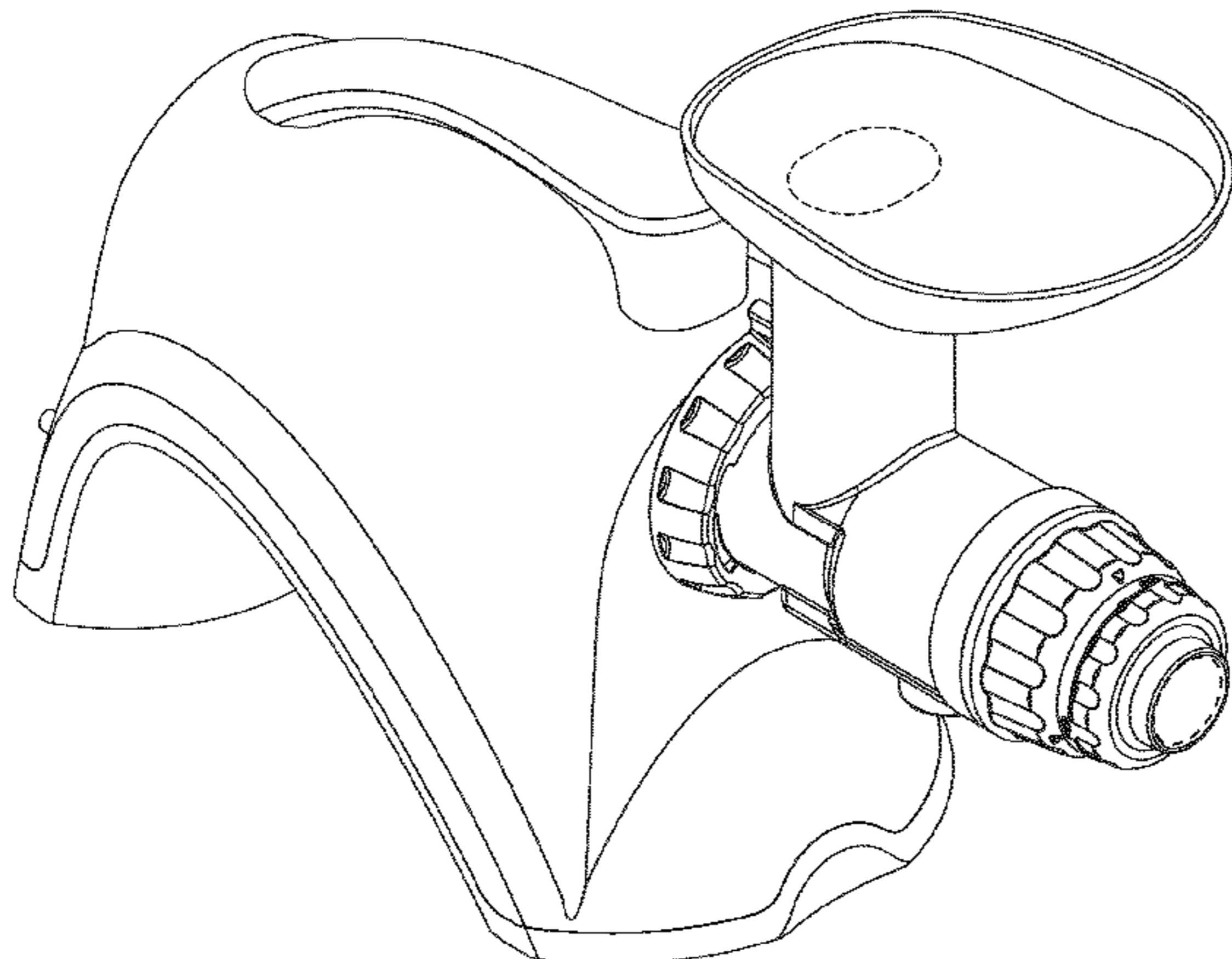
(57) **CLAIM**

The ornamental design for a juice extractor, as shown and described.

**DESCRIPTION**

FIG. 1 is a front elevational view of a juice extractor showing my new design,  
FIG. 2 is a front elevational view thereof,  
FIG. 3 is a rear elevational view thereof,  
FIG. 4 is a left side elevational view thereof,  
FIG. 5 is a right side elevational view thereof,  
FIG. 6 is a top plan view thereof; and,  
FIG. 7 is a bottom plan view thereof.  
The broken lines in the figures of the juice extractor are for the purpose of illustrating environment, and form no part of the claimed design.

**1 Claim, 7 Drawing Sheets**



(56)

References Cited

U.S. PATENT DOCUMENTS

5,452,650	A *	9/1995	Lee	99/510	D555,434	S	11/2007	Cohen et al.	
D366,984	S	2/1996	Hsu		D566,486	S	4/2008	Wu	
D370,837	S	6/1996	Lee		D572,092	S	7/2008	Since	
D376,736	S	12/1996	Kim		D579,735	S	11/2008	Picozza et al.	
5,592,873	A *	1/1997	Lee	99/510	D586,625	S	2/2009	Robins et al.	
D419,366	S *	1/2000	Tse	D7/379	D594,717	S	6/2009	Wu Chang	
D447,390	S	9/2001	Lee		D601,391	S *	10/2009	Chiang	D7/665
6,394,377	B1 *	5/2002	Kim et al.	241/260.1	D604,121	S	11/2009	Gammack et al.	
D470,368	S	2/2003	Kim		D610,396	S *	2/2010	Chiang	D7/372
D475,253	S	6/2003	Yip		D641,214	S *	7/2011	Choi	D7/665
D475,582	S	6/2003	To		D643,265	S *	8/2011	Kim et al.	D7/665
D487,674	S	3/2004	Robins		D650,641	S	12/2011	Fung et al.	
D489,949	S	5/2004	Chung		8,091,473	B2 *	1/2012	Kim	99/510
D495,921	S *	9/2004	Lallemand	D7/372	D660,660	S *	5/2012	Kim	D7/666
D504,592	S *	5/2005	Wanat	D7/379	D666,880	S	9/2012	Ferraby	
D506,108	S	6/2005	Cohen et al.		D670,138	S	11/2012	Hu	
D506,902	S	7/2005	Tseng et al.		D676,287	S	2/2013	Ferraby	
D510,238	S	10/2005	Yen		D677,975	S *	3/2013	Jin et al.	D7/381
D513,155	S	12/2005	Schrader et al.		D683,577	S *	6/2013	Cohen	D7/372
D526,539	S	8/2006	Yip		D684,827	S	6/2013	Kim	
D526,540	S	8/2006	Cohen et al.		D698,210	S *	1/2014	Lavy et al.	D7/665
D534,400	S	1/2007	Cohen et al.		2007/0277682	A1 *	12/2007	Wong	99/495
D540,127	S	4/2007	Ye et al.		2009/0064875	A1 *	3/2009	Trovinger	99/492
					2012/0216687	A1 *	8/2012	Trovinger	99/510
					2012/0227592	A1 *	9/2012	Lim et al.	99/486
					2013/0284032	A1 *	10/2013	Trovinger	99/510

\* cited by examiner

FIG. 1

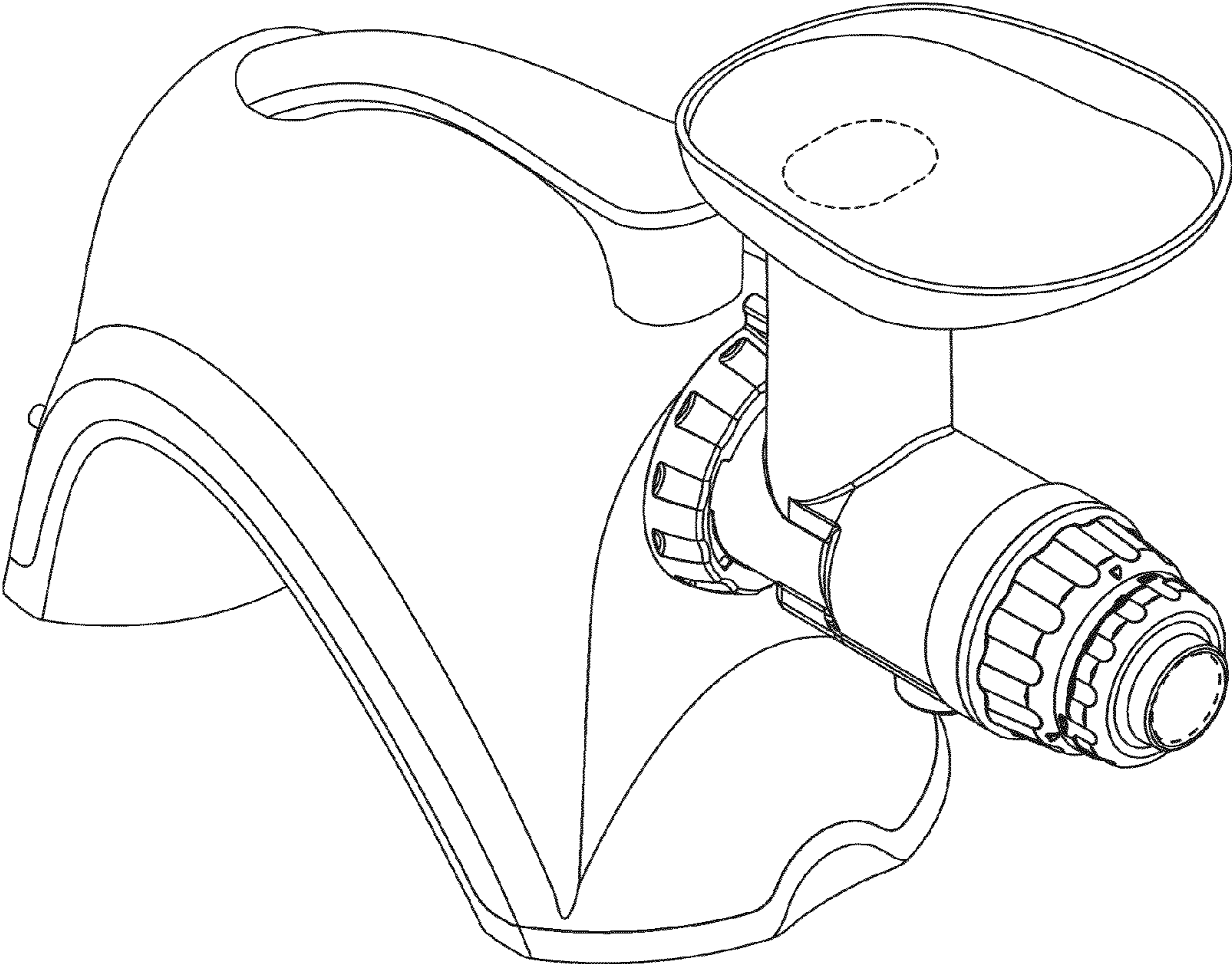


FIG. 2

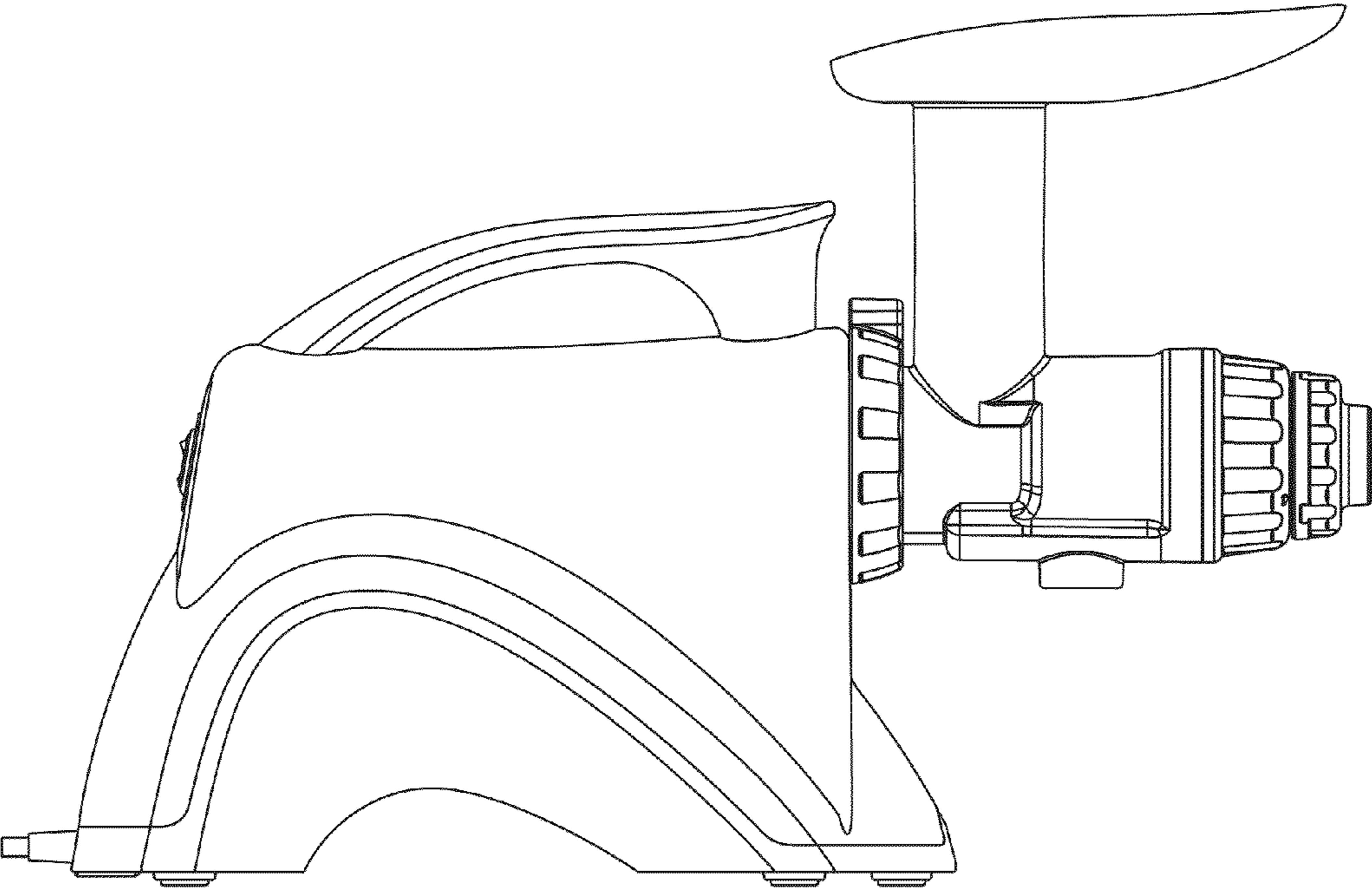


FIG. 3

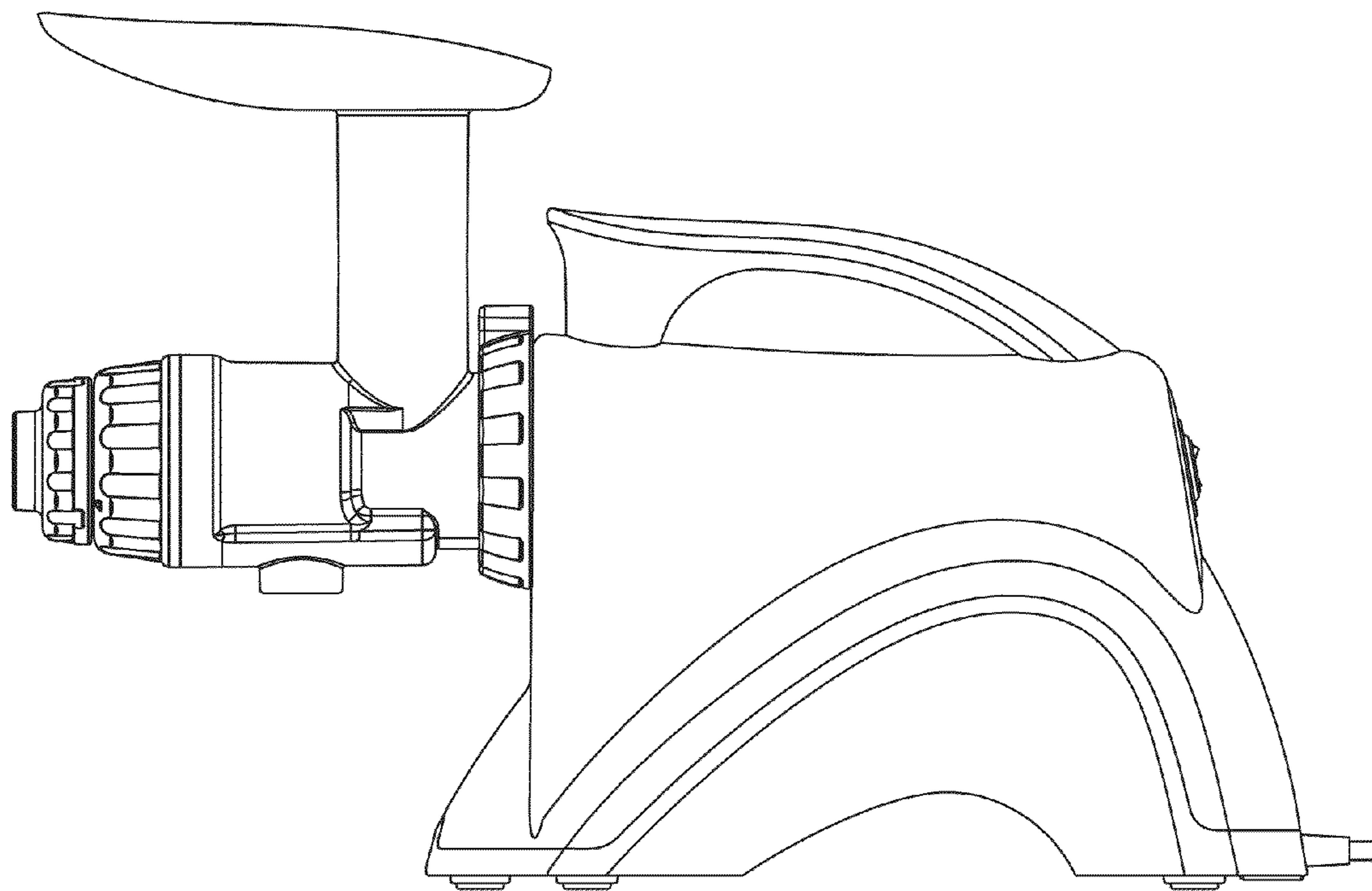


FIG. 4

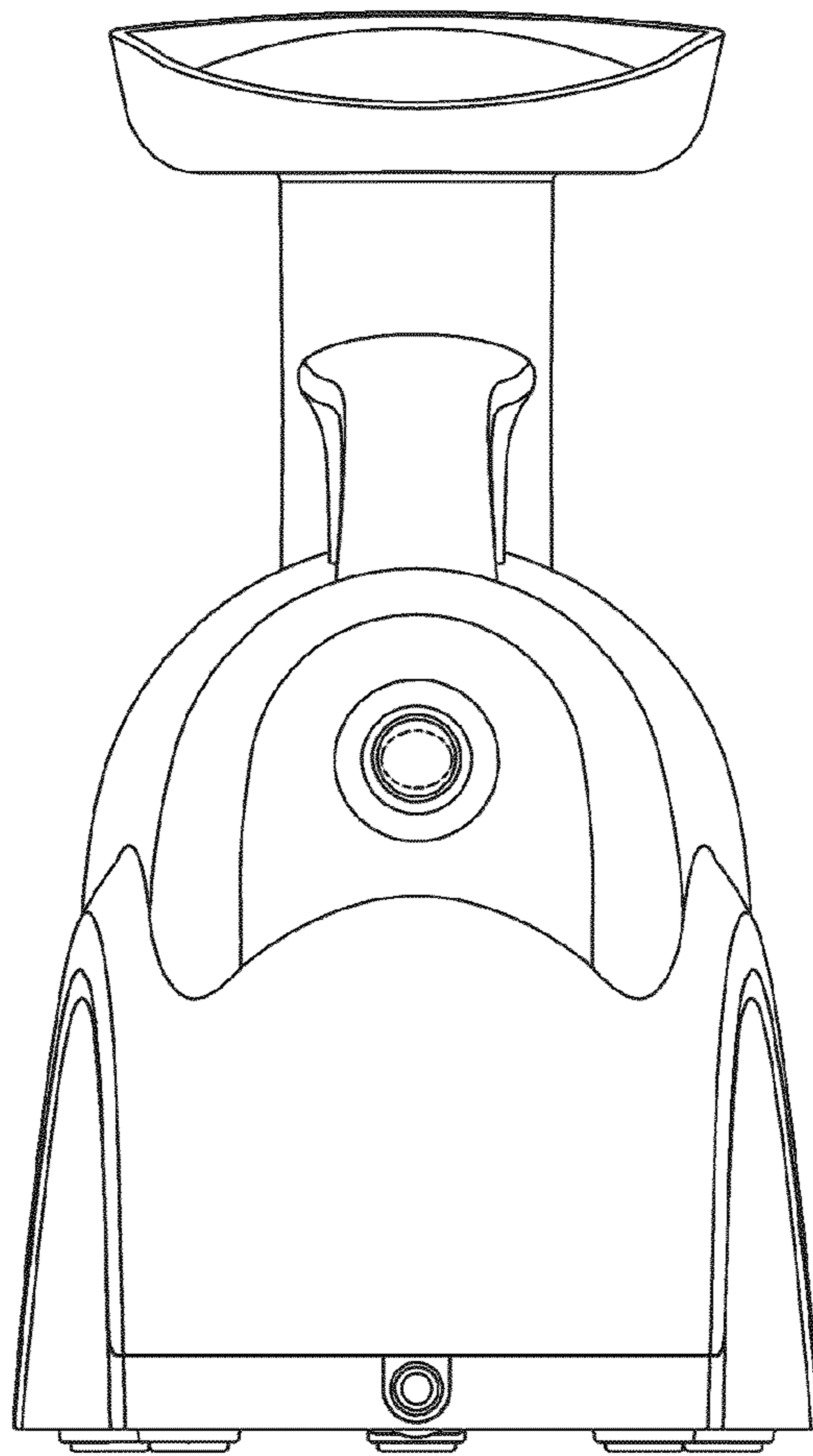


FIG. 5

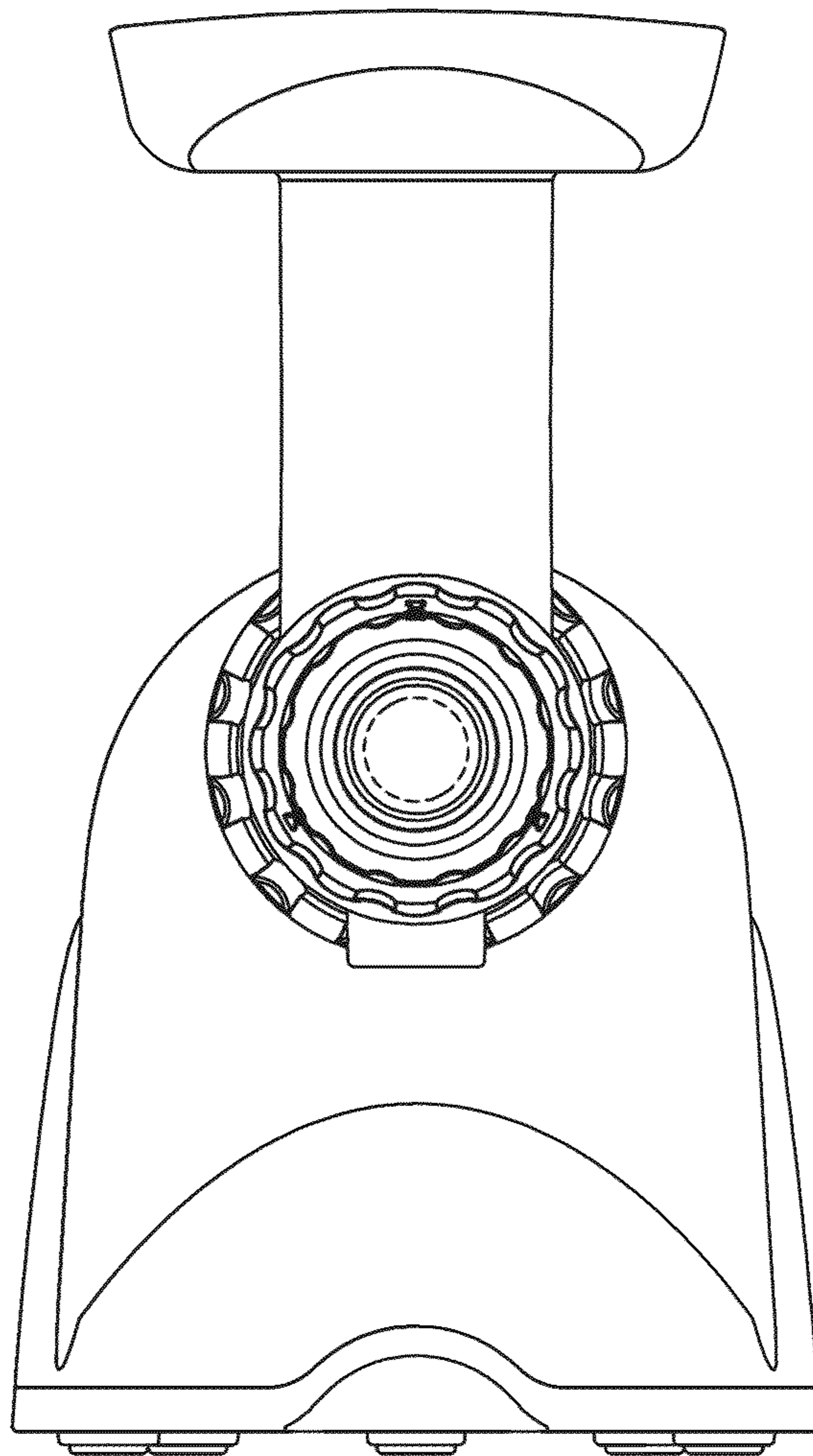


FIG. 6

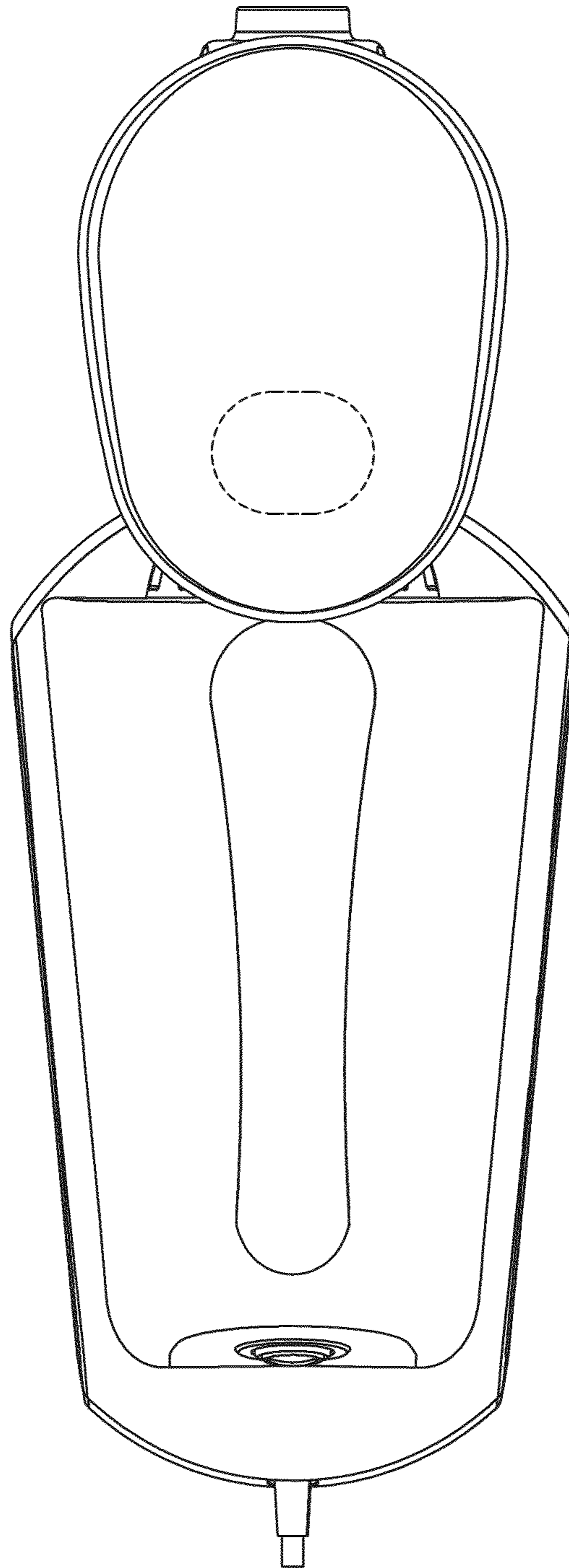




FIG. 7

