



US00D725439S

(12) **United States Design Patent**  
**Kim**

(10) **Patent No.:** **US D725,439 S**  
(45) **Date of Patent:** **\*\* Mar. 31, 2015**

(54) **JUICE EXTRACTOR**

(71) Applicant: **Young Ki Kim**, Gimhae-si (KR)

(72) Inventor: **Young Ki Kim**, Gimhae-si (KR)

(\*\*) Term: **14 Years**

(21) Appl. No.: **29/464,169**

(22) Filed: **Aug. 13, 2013**

(30) **Foreign Application Priority Data**

Feb. 26, 2013 (KR) ..... 30-2013-0009984

(51) **LOC (10) Cl.** ..... **07-04**

(52) **U.S. Cl.**  
USPC ..... **D7/665**

(58) **Field of Classification Search**

CPC ..... A47J 19/02; A47J 19/027; A47J 19/00;  
A47J 19/06; A47J 19/025; A47J 44/00;  
A47J 44/02; A47J 43/00; A47J 43/25; A47J  
43/046; A47J 43/0722; A47J 31/00; A47J  
31/005; A47J 31/02; A47J 31/04; A47J 42/02;  
A23N 1/02; A23N 1/00; A23N 1/003; A23N  
1/006; B30B 9/02  
USPC ..... D7/368, 665-667, 412, 376-386, 372,  
D7/373, 375, 374, 300, 304, 305, 309, 310,  
D7/311, 312, 313; 241/92, 101.1-101.73,  
241/285.1-285.3, 36, 37.5, 100, 282.1;  
99/501-513, 495, 499, 348, 357, 349,  
99/369, 370, 496-497, 279, 280, 284,  
99/290; 366/98, 142, 197-211, 241-254,  
366/279-292, 341-347, 64-67; 100/213,  
100/218, 283, 288, 208; 416/75, 70 R, 76,  
416/77

See application file for complete search history.

(56) **References Cited**

U.S. PATENT DOCUMENTS

D118,270	S	*	12/1939	Strauss	.....	D7/372
2,345,683	A	*	4/1944	Owens	.....	100/98 R
D222,209	S	*	10/1971	Dykes	.....	D7/372
D236,283	S	*	8/1975	McCue	.....	D7/372
D246,150	S		10/1977	Evangelista		
D251,404	S		3/1979	Ackeret		
D251,405	S		3/1979	Ackeret		
D253,083	S		10/1979	Lam		
D255,969	S		7/1980	Steinkamp		
D290,329	S		6/1987	Bulto		
D295,481	S		5/1988	Biarnes Bulto		
D309,083	S		7/1990	Kahlecke		
D311,842	S		11/1990	Ogvist et al.		
D316,212	S		4/1991	Seal, Jr.		
D316,654	S		5/1991	Anderson et al.		
D318,402	S		7/1991	Barrault		
D319,948	S		9/1991	Anderson et al.		
D333,412	S		2/1993	Levin		
5,381,730	A	*	1/1995	Kim	.....	99/510
5,396,836	A	*	3/1995	Kim	.....	99/510

(Continued)

*Primary Examiner* — Ian Simmons

*Assistant Examiner* — Shannon Morgan

(74) *Attorney, Agent, or Firm* — Edward J. Baba; Bozicevic, Field & Francis LLP

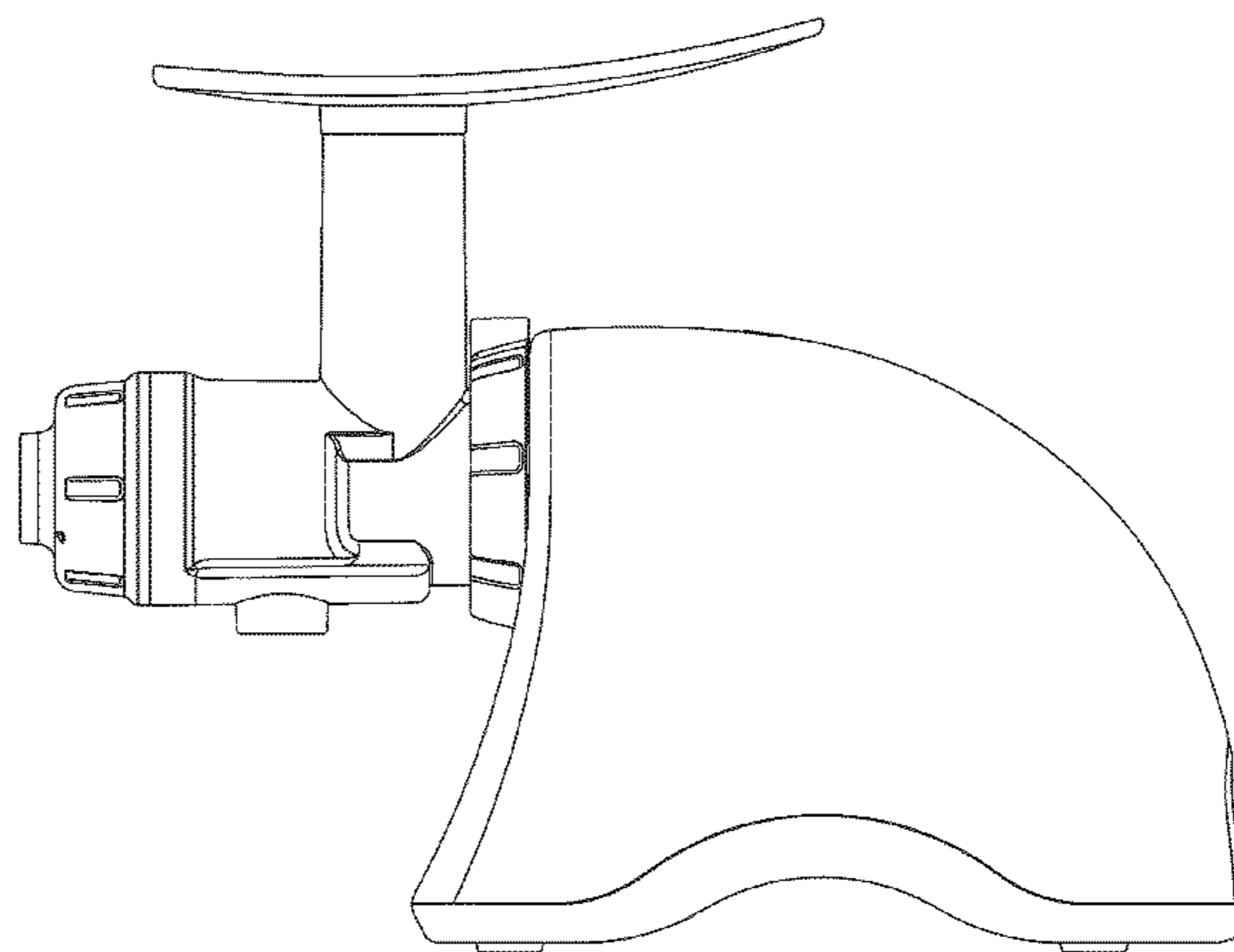
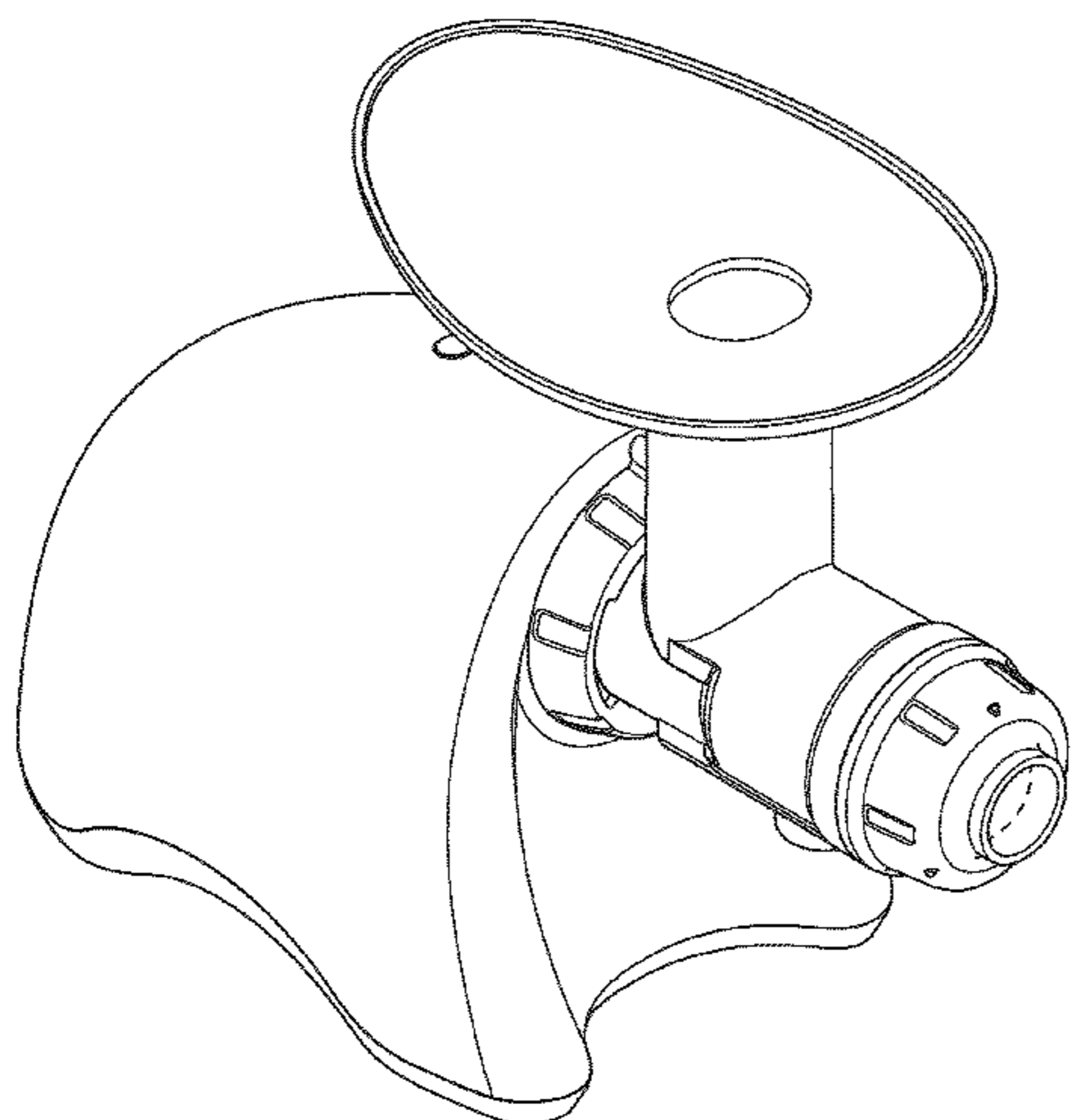
(57) **CLAIM**

The ornamental design for a juice extractor, as shown and described.

**DESCRIPTION**

FIG. 1 is a top, front right perspective view of a juice extractor, showing my new design, FIG. 2 is a front elevational view thereof, FIG. 3 is a rear elevational view thereof, FIG. 4 is a left side elevational view thereof, FIG. 5 is a right side elevational view thereof, FIG. 6 is a top plan view thereof; and, FIG. 7 is a bottom plan view thereof. The broken lines in the figures of the juice extractor are for the purpose of illustrating environment, and form no part of the claimed design.

**1 Claim, 7 Drawing Sheets**



(56)

References Cited

U.S. PATENT DOCUMENTS

D362,597 S 9/1995 Kim  
 5,452,650 A \* 9/1995 Lee ..... 99/510  
 D366,984 S 2/1996 Hsu  
 D370,837 S 6/1996 Lee  
 D376,736 S 12/1996 Kim  
 5,592,873 A \* 1/1997 Lee ..... 99/510  
 D419,366 S \* 1/2000 Tse ..... D7/379  
 D447,390 S 9/2001 Lee  
 6,394,377 B1 \* 5/2002 Kim et al. .... 241/260.1  
 D470,368 S 2/2003 Kim  
 D475,253 S 6/2003 Yip  
 D475,582 S 6/2003 To  
 D487,674 S 3/2004 Robins  
 D489,949 S 5/2004 Chung  
 D495,921 S \* 9/2004 Lallemand ..... D7/372  
 D504,592 S \* 5/2005 Wanat ..... D7/379  
 D506,108 S 6/2005 Cohen et al.  
 D506,902 S 7/2005 Tseng et al.  
 D510,238 S 10/2005 Yen  
 D513,155 S 12/2005 Schrader et al.  
 D526,539 S 8/2006 Yip  
 D526,540 S 8/2006 Cohen et al.  
 D534,400 S 1/2007 Cohen et al.  
 D540,127 S 4/2007 Ye et al.

D555,434 S 11/2007 Cohen et al.  
 D566,486 S 4/2008 Wu  
 D572,092 S 7/2008 Since  
 D579,735 S 11/2008 Picozza et al.  
 D586,625 S 2/2009 Robins et al.  
 D594,717 S 6/2009 Wu Chang  
 D601,391 S \* 10/2009 Chiang ..... D7/665  
 D604,121 S 11/2009 Gammack et al.  
 D610,396 S \* 2/2010 Chiang ..... D7/372  
 D641,214 S \* 7/2011 Choi ..... D7/665  
 D643,265 S \* 8/2011 Kim et al. .... D7/665  
 D650,641 S 12/2011 Fung et al.  
 8,091,473 B2 \* 1/2012 Kim ..... 99/510  
 D660,660 S \* 5/2012 Kim ..... D7/666  
 D666,880 S 9/2012 Ferraby  
 D670,138 S 11/2012 Hu  
 D676,287 S 2/2013 Ferraby  
 D677,975 S \* 3/2013 Jin et al. .... D7/381  
 D683,577 S \* 6/2013 Cohen ..... D7/372  
 D684,827 S 6/2013 Kim  
 D698,210 S \* 1/2014 Lavy et al. .... D7/665  
 2007/0277682 A1 \* 12/2007 Wong ..... 99/495  
 2009/0064875 A1 \* 3/2009 Trovinger ..... 99/492  
 2012/0216687 A1 \* 8/2012 Trovinger ..... 99/510  
 2012/0227592 A1 \* 9/2012 Lim et al. .... 99/486  
 2013/0284032 A1 \* 10/2013 Trovinger ..... 99/510

\* cited by examiner

FIG. 1

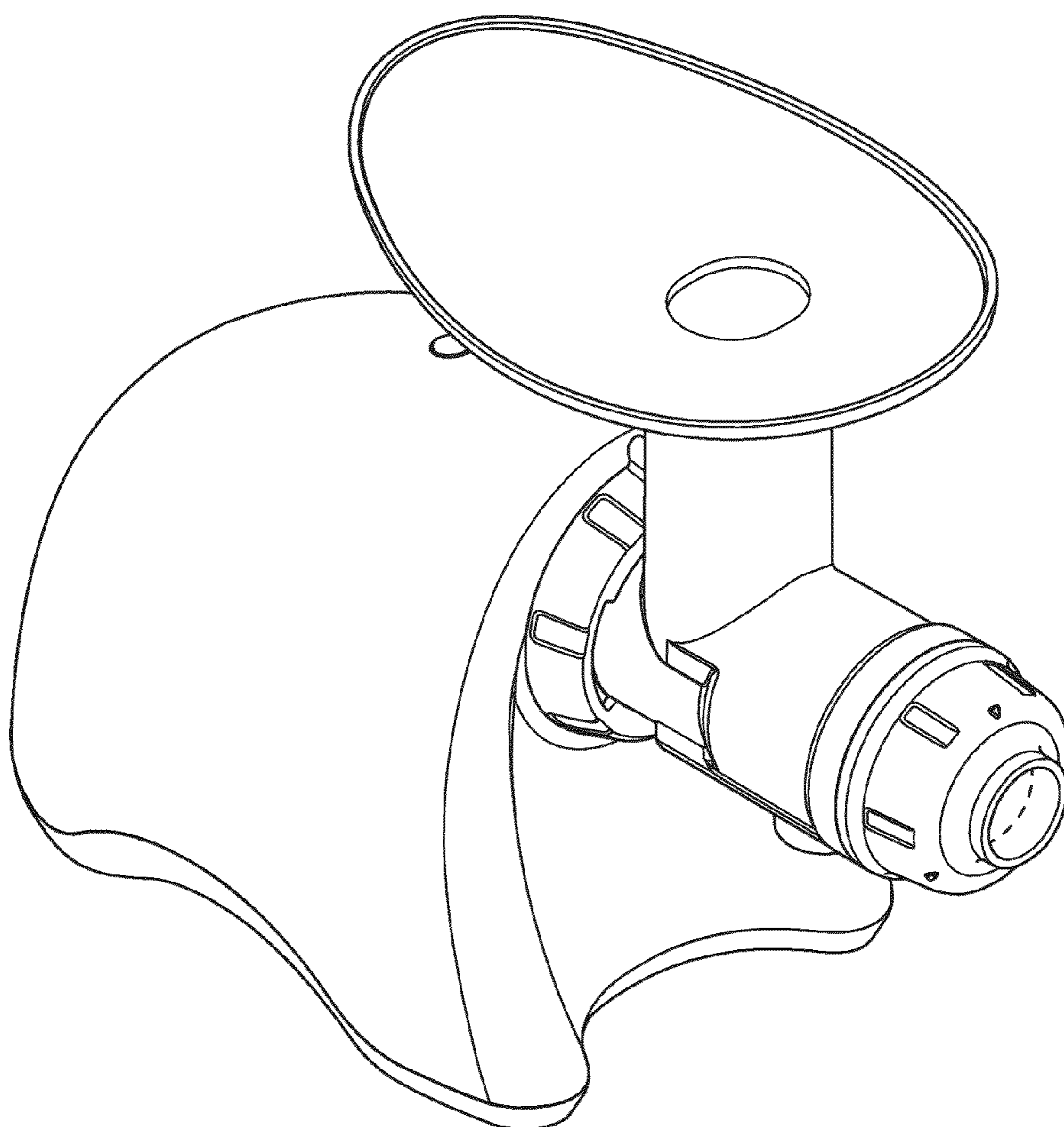


FIG. 2

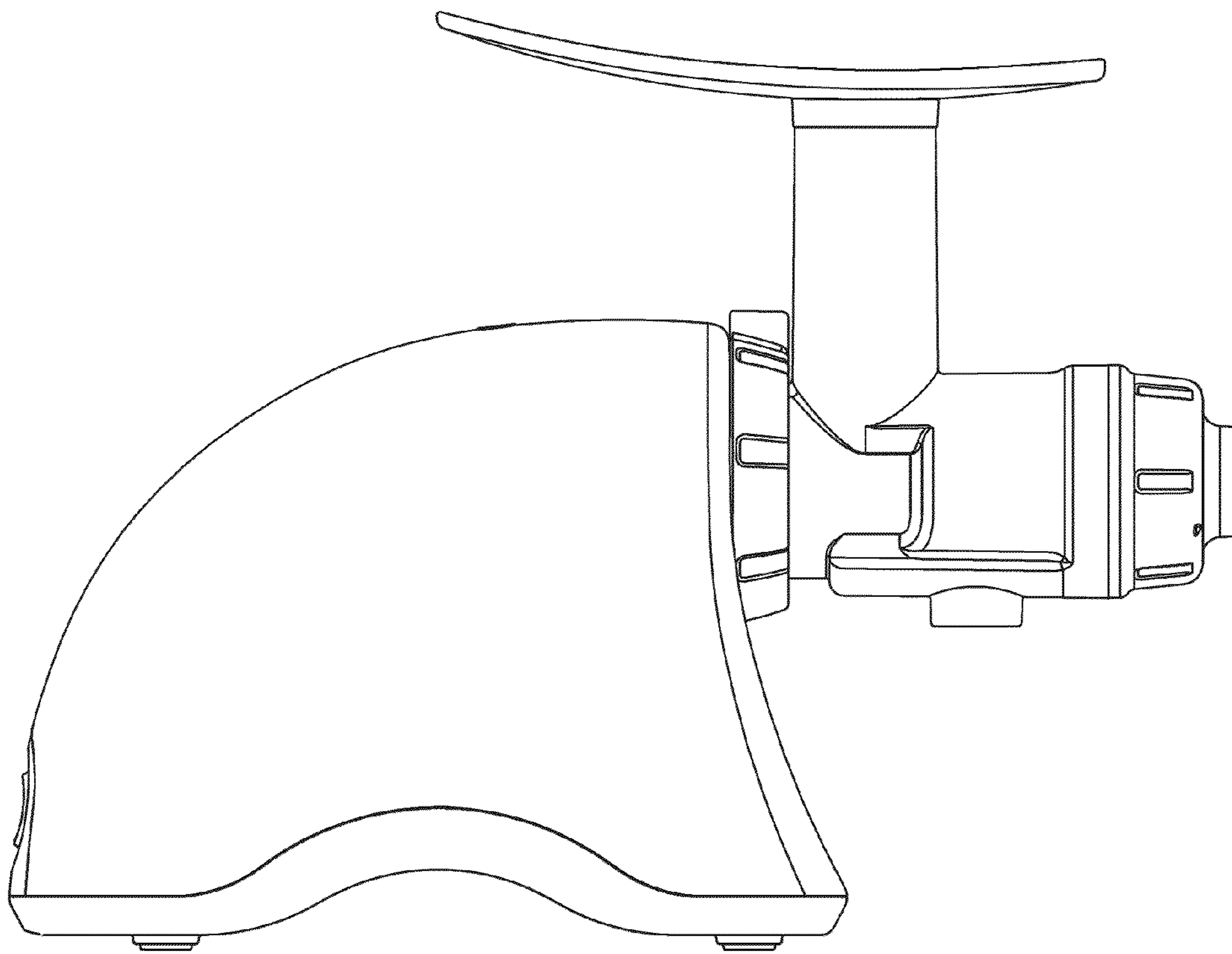


FIG. 3

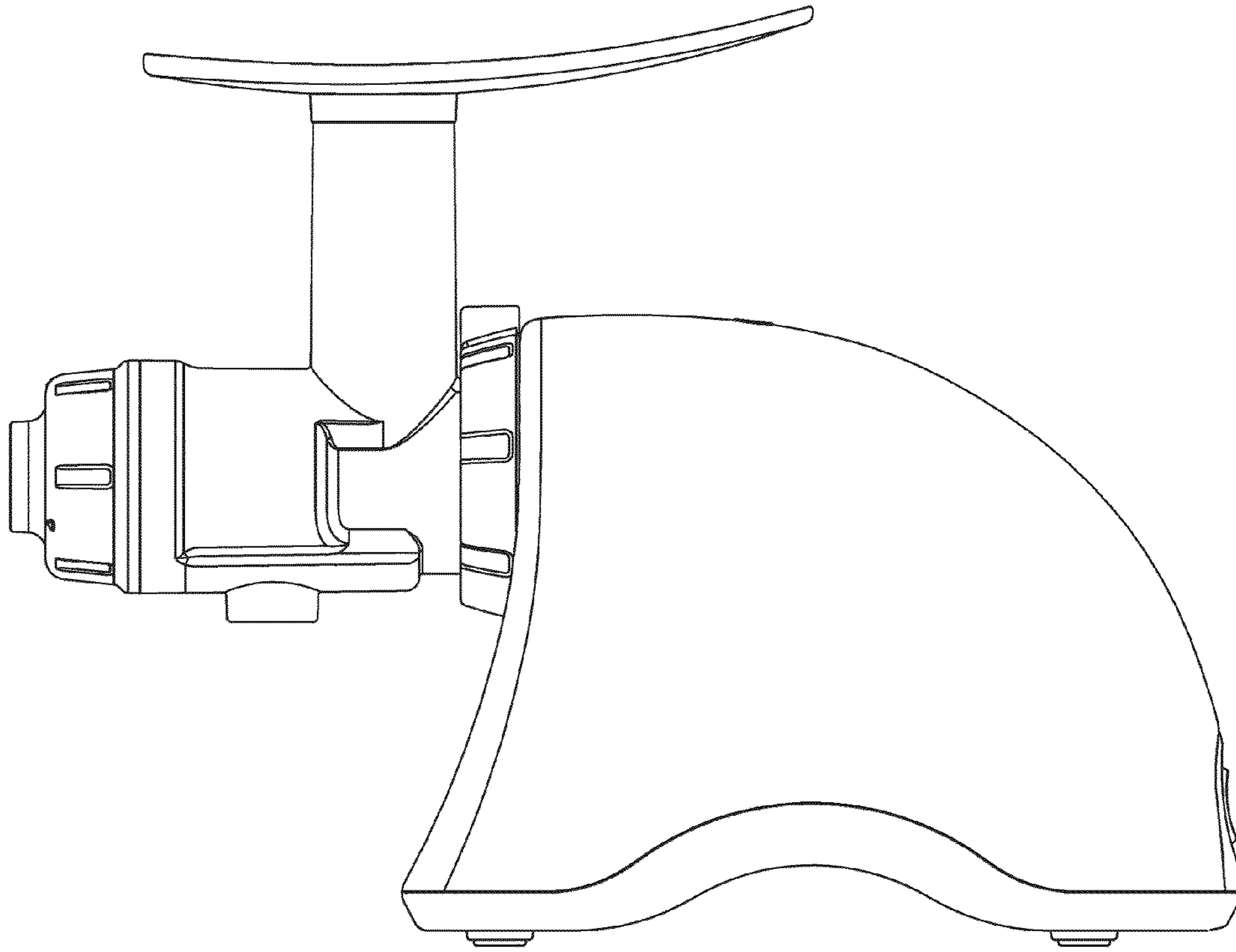


FIG. 4

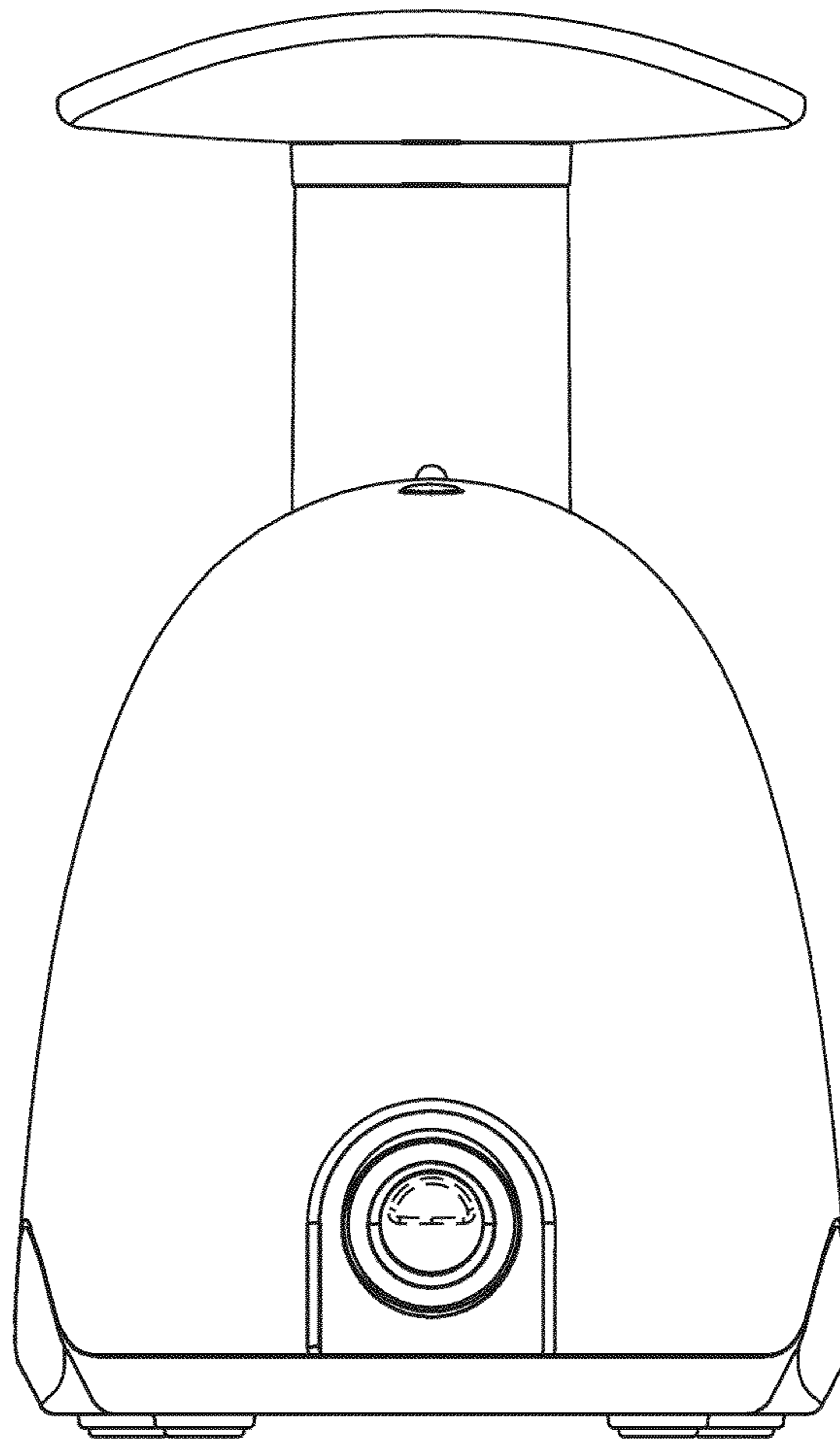


FIG. 5

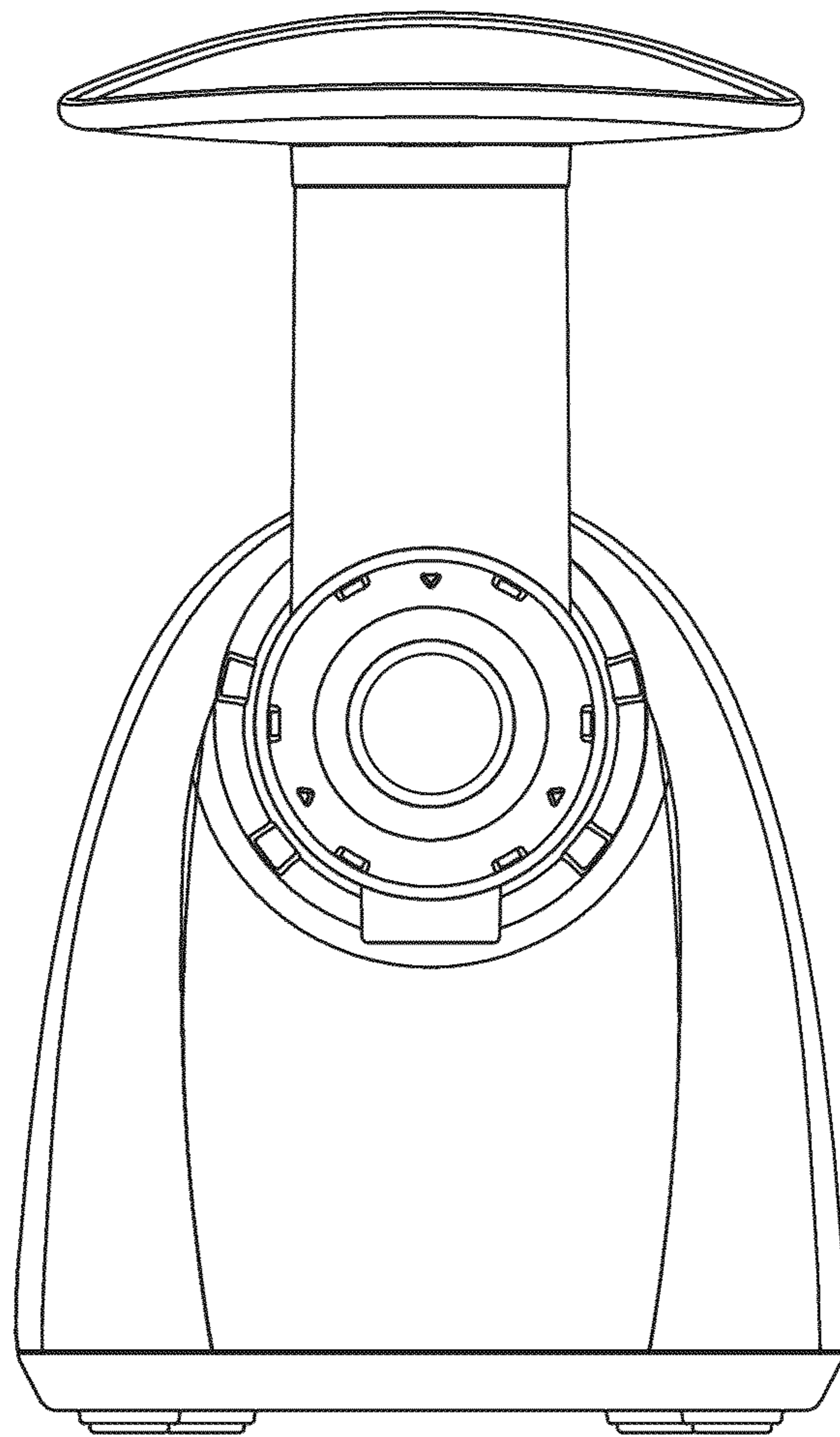


FIG. 6

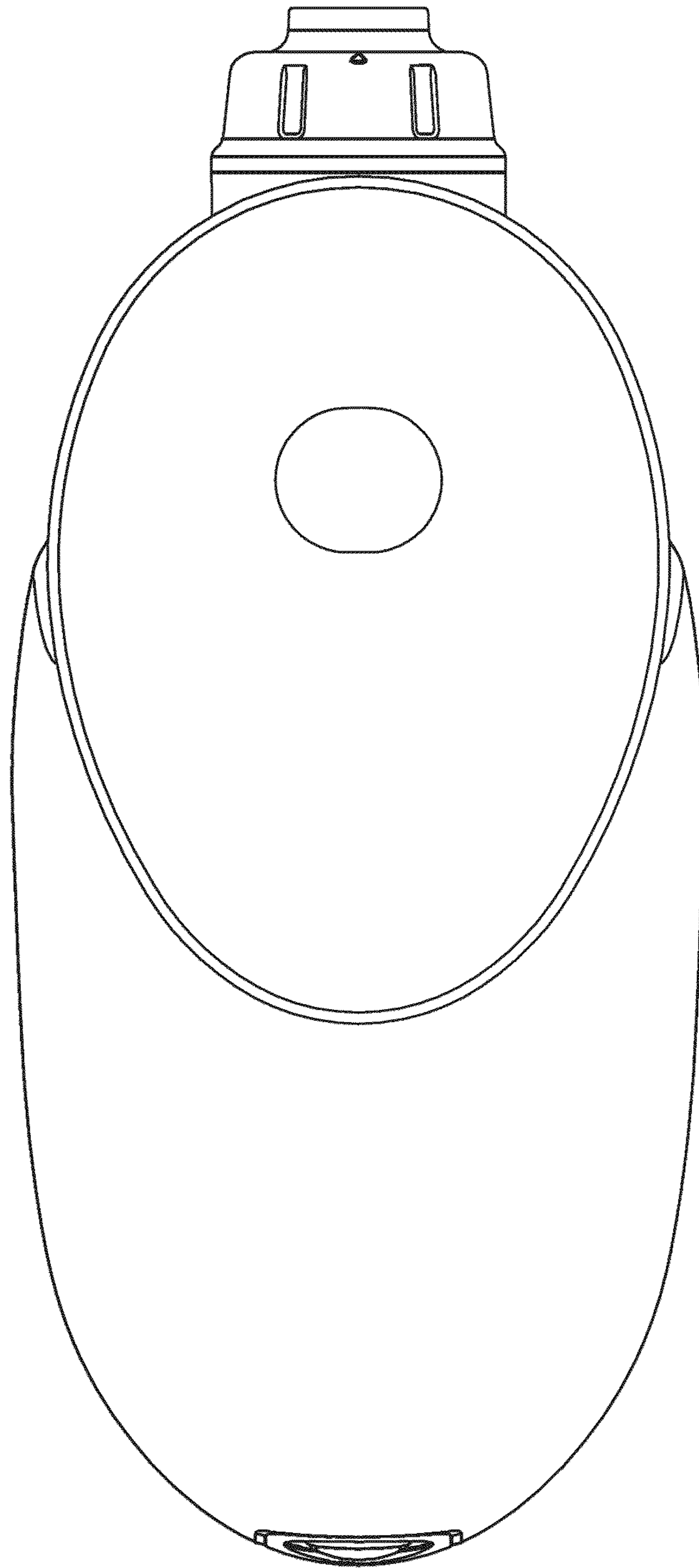




FIG. 7

