



US00D725438S

(12) **United States Design Patent**  
**Panone et al.**

(10) **Patent No.:** **US D725,438 S**  
(45) **Date of Patent:** **\*\* Mar. 31, 2015**

(54) **BENTO BOX FOOD CONTAINER WITH  
CONTOURED REGION**

(71) Applicants: **Aaron Brooks Panone**, Somerville, MA  
(US); **Joshua Isaac Nielsen Resnikoff**,  
Somerville, MA (US)

(72) Inventors: **Aaron Brooks Panone**, Somerville, MA  
(US); **Joshua Isaac Nielsen Resnikoff**,  
Somerville, MA (US)

(73) Assignee: **JRAP Inc.**, Somerville, MA (US)

(\*\*) Term: **14 Years**

(21) Appl. No.: **29/455,756**

(22) Filed: **May 23, 2013**

(51) **LOC (10) Cl.** ..... **07-07**

(52) **U.S. Cl.**  
USPC ..... **D7/602**

(58) **Field of Classification Search**  
USPC ..... D7/602, 629, 630; D9/415-419,  
D9/420-432; 220/780-806, 574-575,  
220/669-673, 4.21-4.27, 656-659;  
206/467, 505, 521.1, 541, 564, 315,  
206/556, 326, 385

See application file for complete search history.

(56) **References Cited**

**U.S. PATENT DOCUMENTS**

4,867,303 A \* 9/1989 Beckerman et al. .... 206/467  
D438,794 S \* 3/2001 Miles et al. .... D9/429  
D452,434 S \* 12/2001 Sweeney ..... D9/429

6,708,824 B2 \* 3/2004 Sahm, III ..... 206/505  
D519,831 S \* 5/2006 de Cleir et al. .... D9/428  
D541,147 S \* 4/2007 LaMasney ..... D9/428  
D577,288 S \* 9/2008 Wilson et al. .... D9/500  
D642,454 S \* 8/2011 Santoiemmo ..... D9/428

\* cited by examiner

*Primary Examiner* — Terry Wallace

(74) *Attorney, Agent, or Firm* — Stahl Law Firm

(57) **CLAIM**

The ornamental design for a bento box food container with  
contoured region, as shown and described.

**DESCRIPTION**

FIG. 1 is a side top view of a bento box food container of the  
invention;

FIG. 2 is a side bottom view thereof;

FIG. 3 is a top plan view thereof;

FIG. 4 is a bottom plan view thereof;

FIG. 5 is a plan side view thereof;

FIG. 6 is a cross-sectional view taken along line 6-6 of FIG. 5.

FIG. 7 is a side top view of an assembly of a bento box food  
container of the invention in a jar;

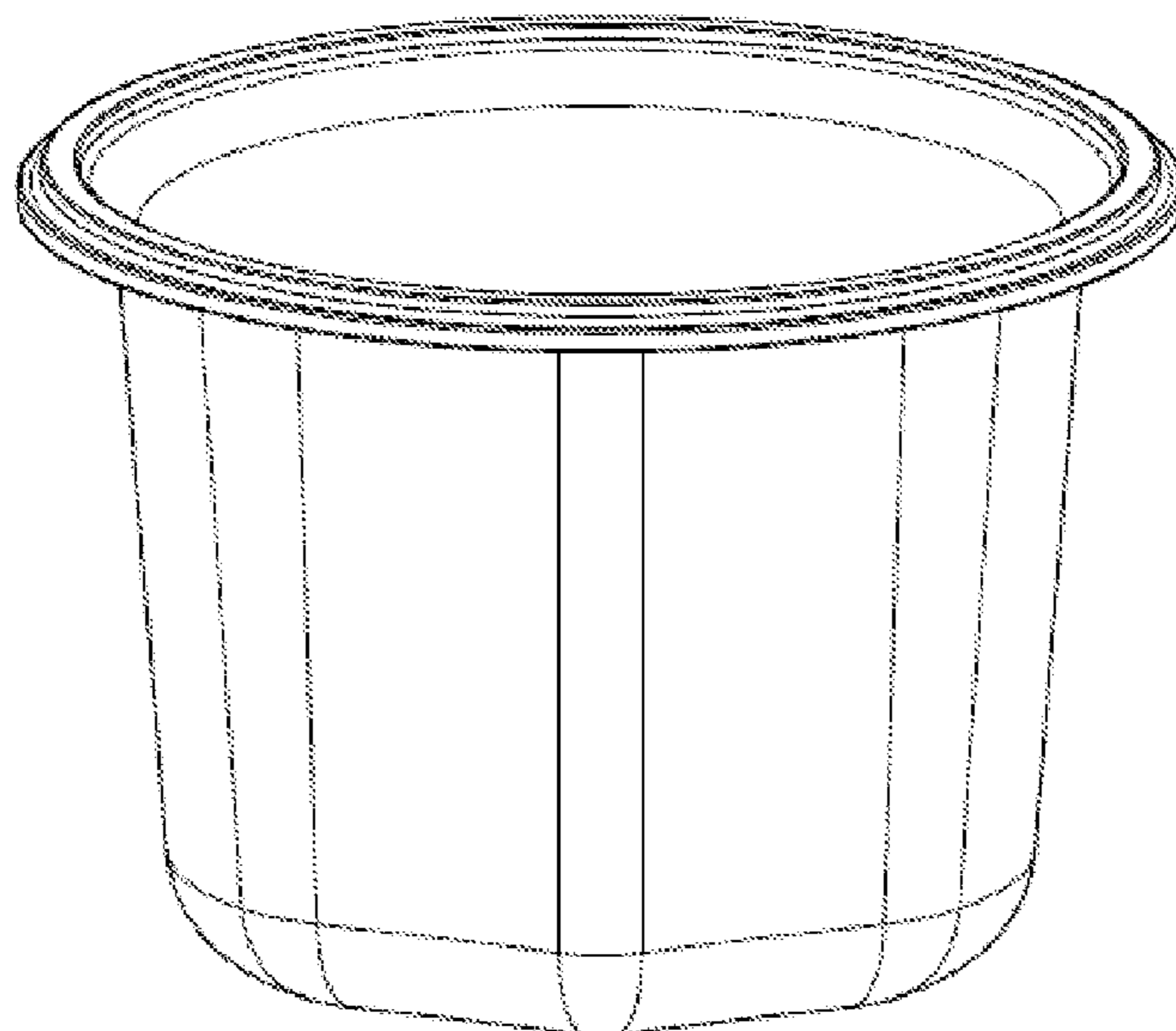
FIG. 8 is a plan side view of a jar with a bento box food  
container of the invention inside; and,

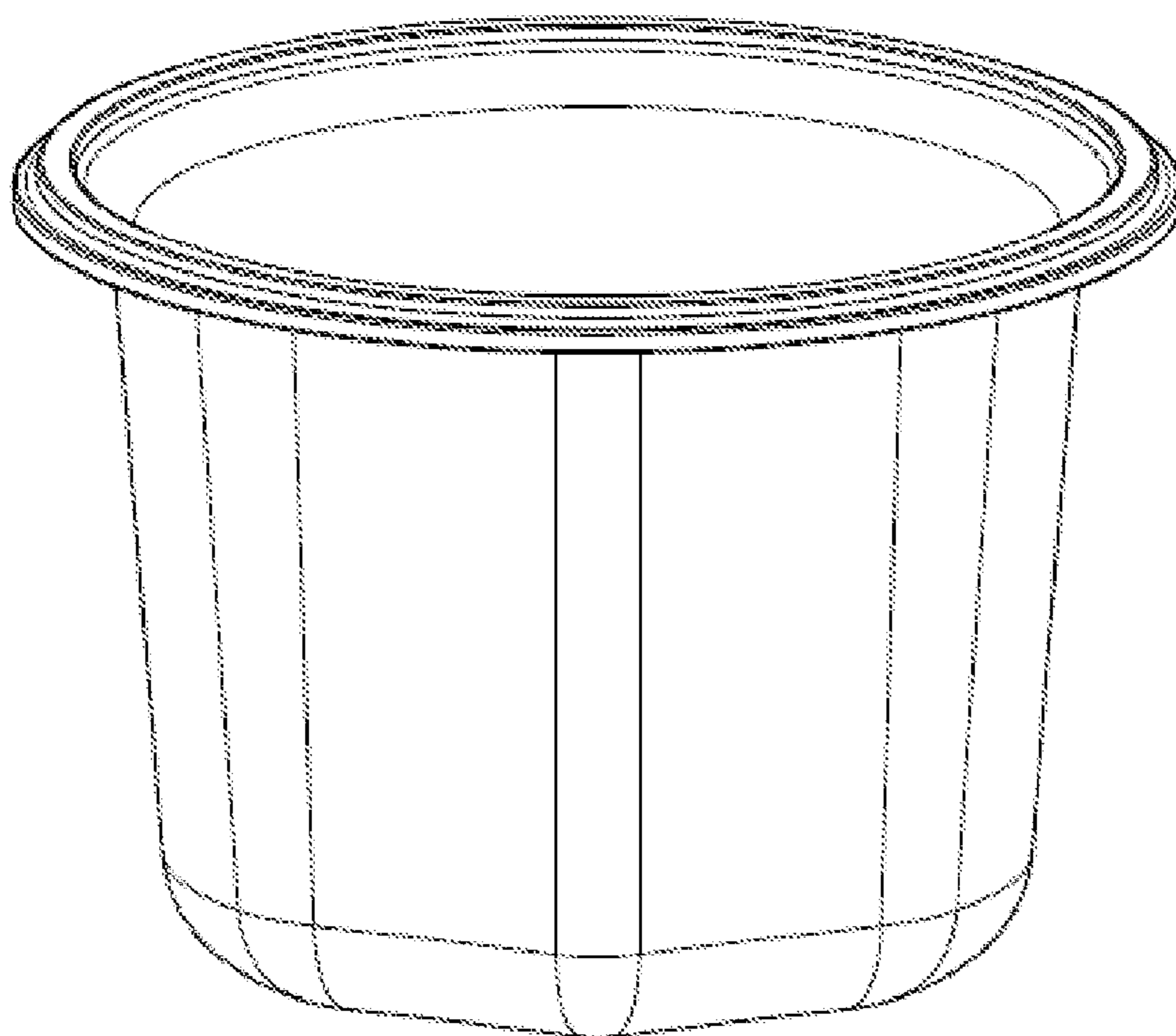
FIG. 9 is a cross-sectional view taken along line 9-9 in FIG. 8.

The broken lines showing of the environment is for illustra-  
tion purposes only and forms no part of the claimed design.

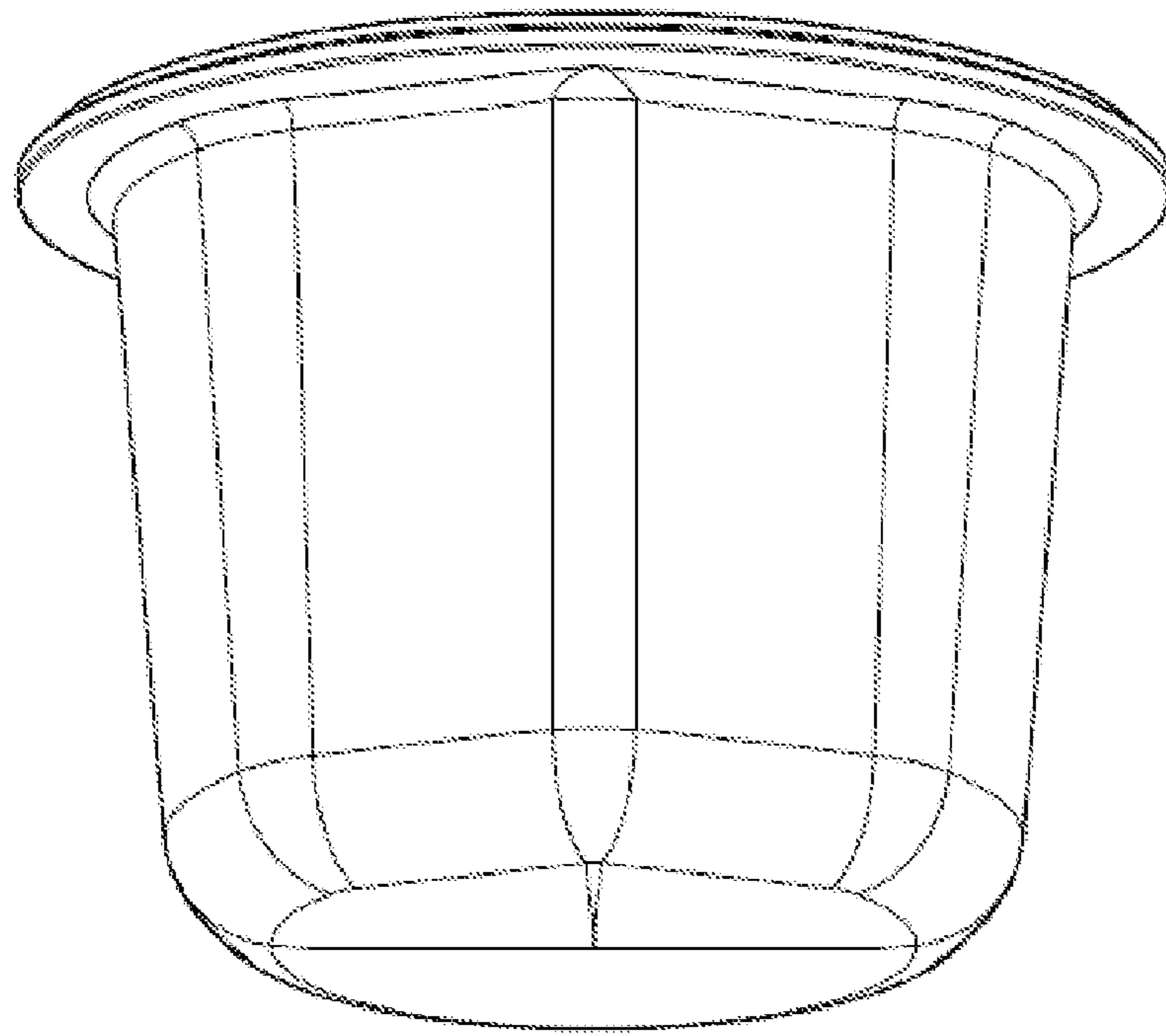
The broken lines which define the boundaries of the claimed  
design form no part thereof.

**1 Claim, 9 Drawing Sheets**

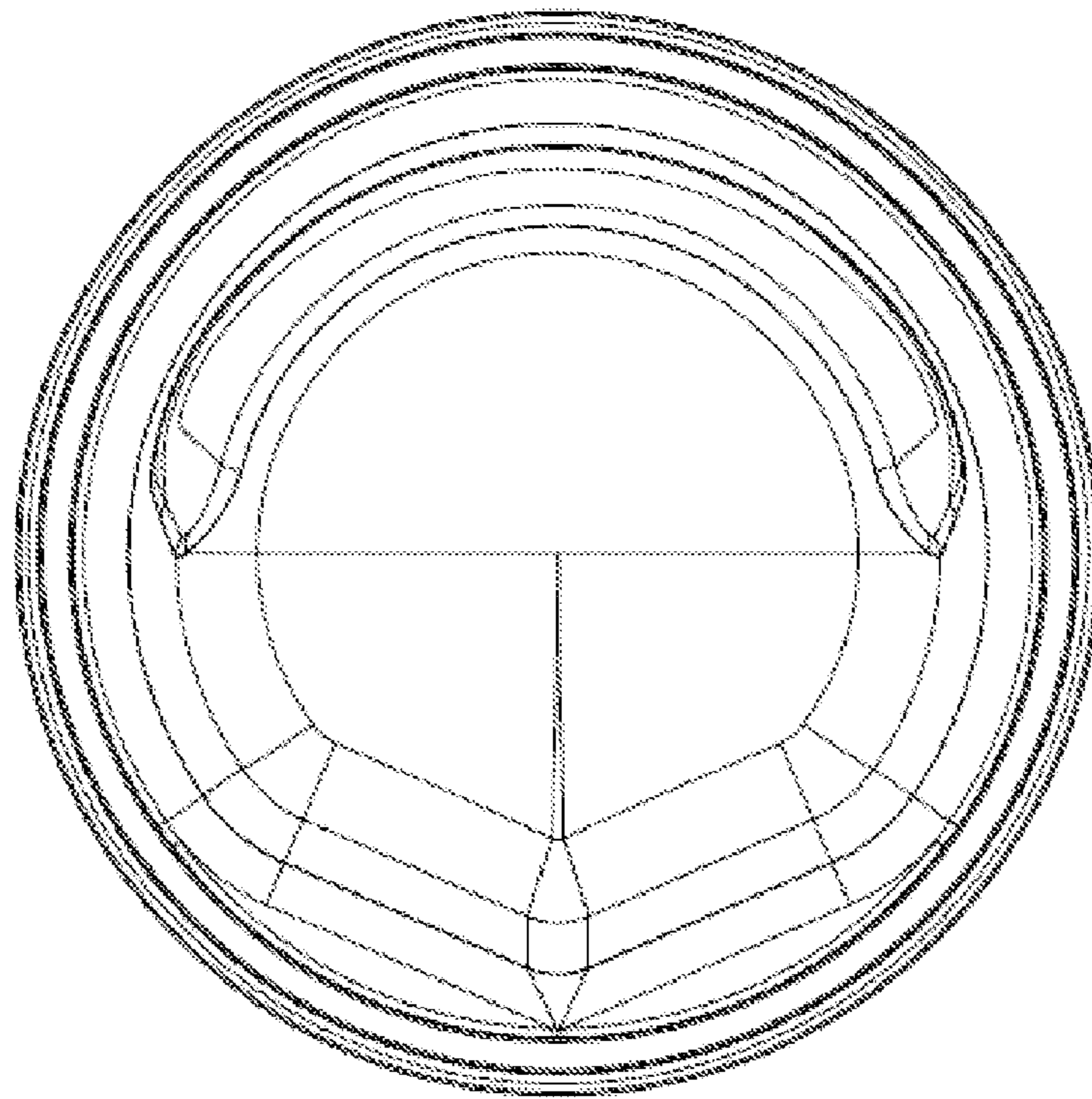




**Fig. 1**



**Fig. 2**



**Fig. 3**

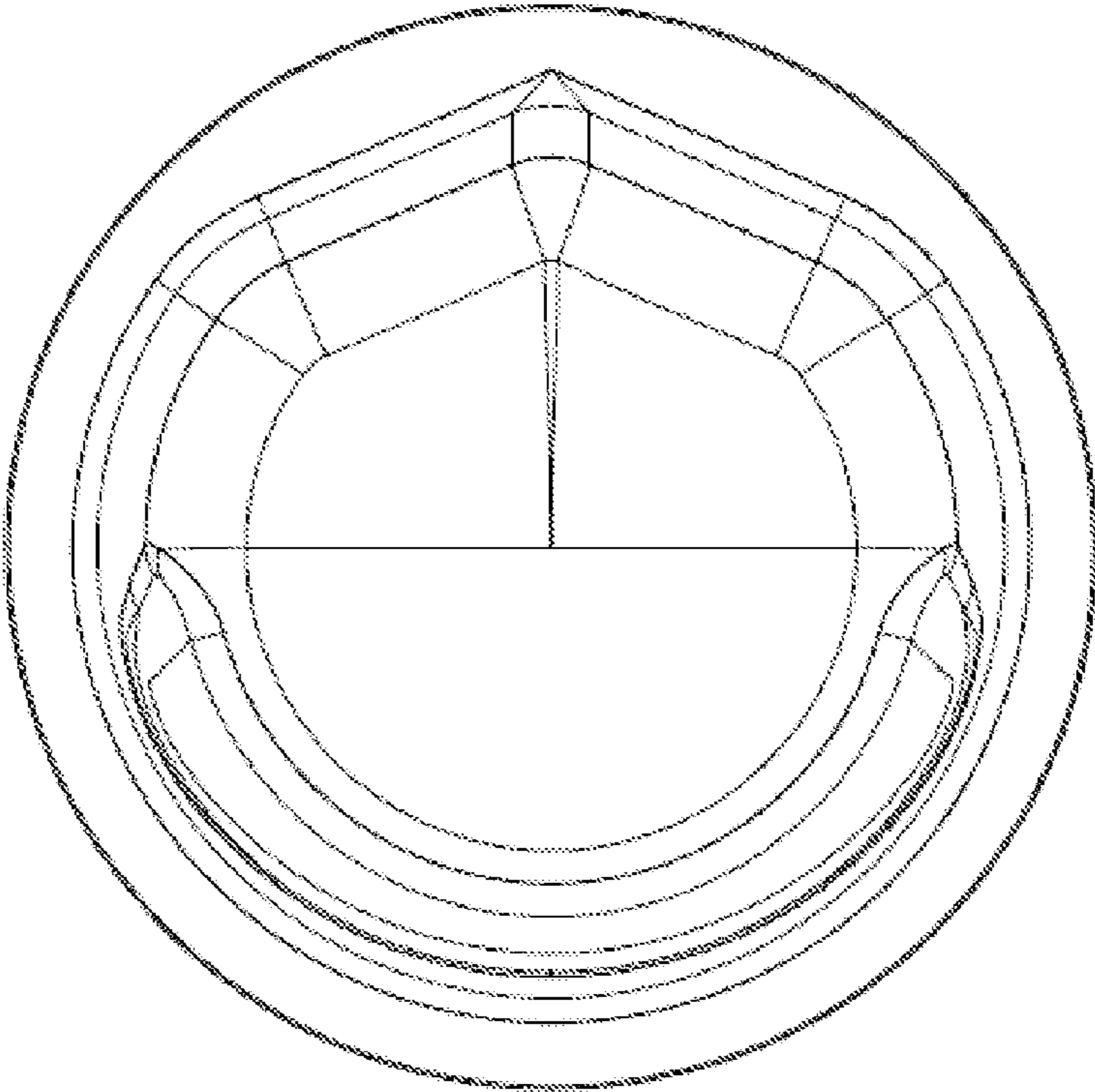


Fig. 4

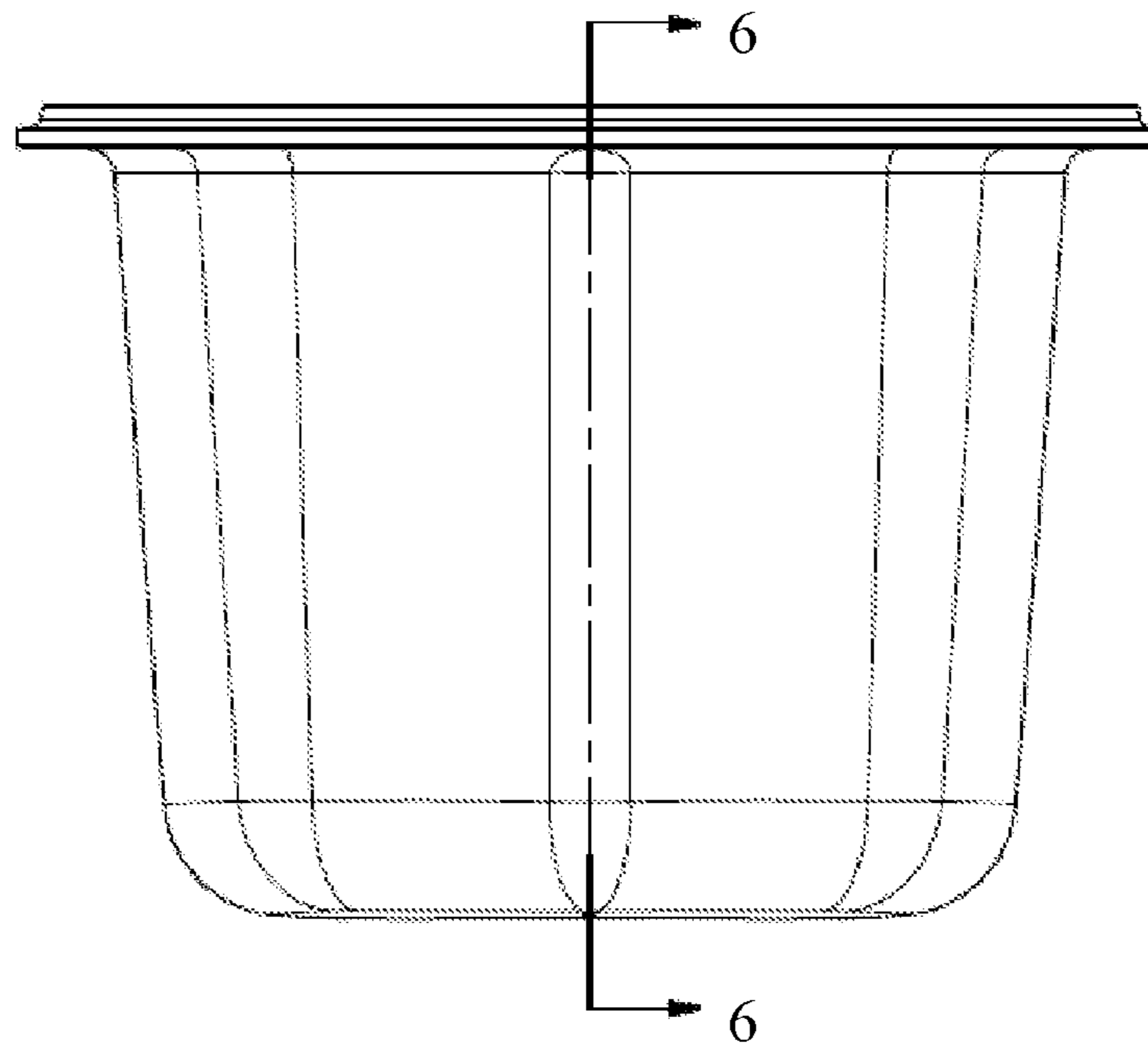


Fig. 5

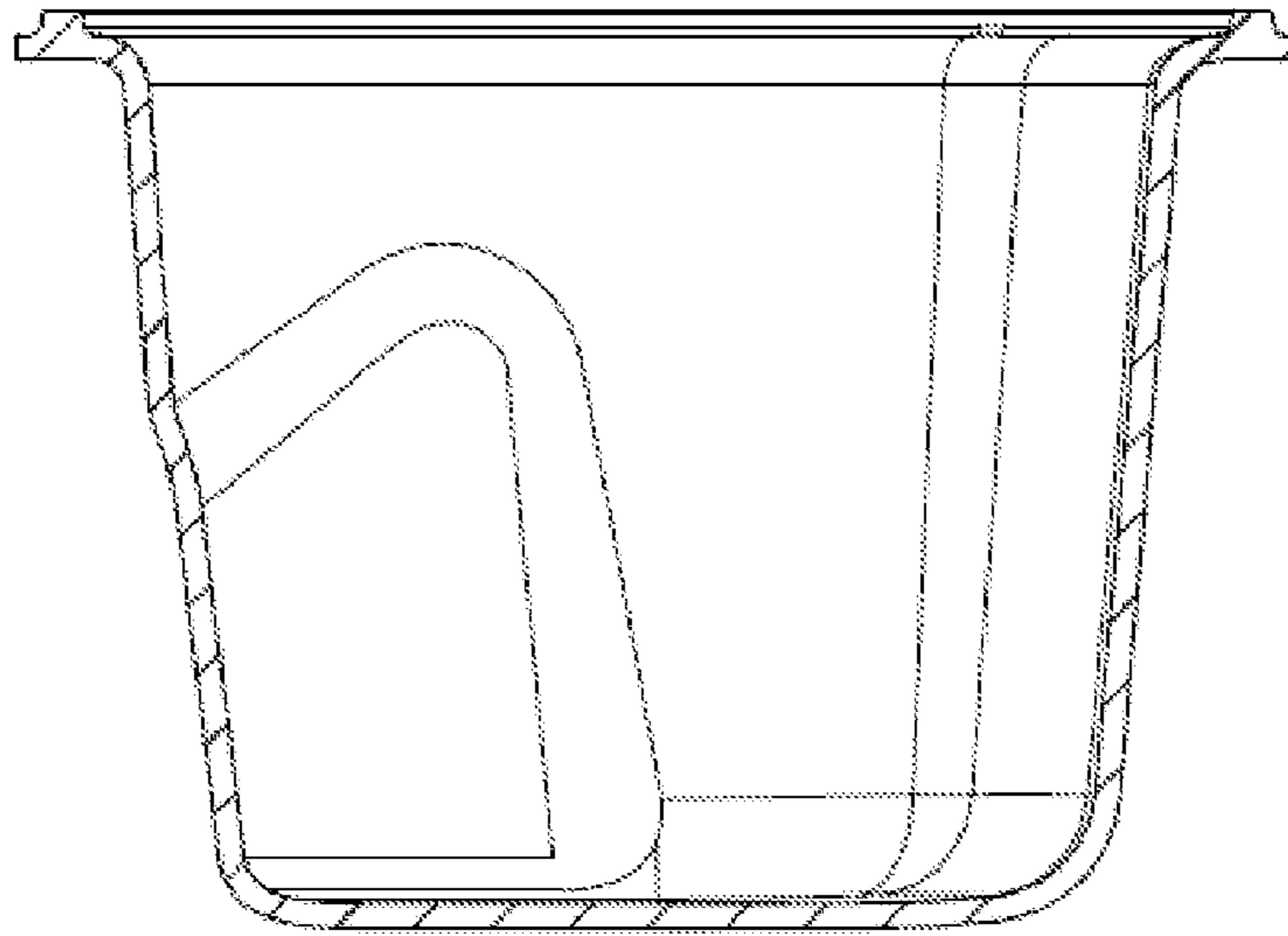
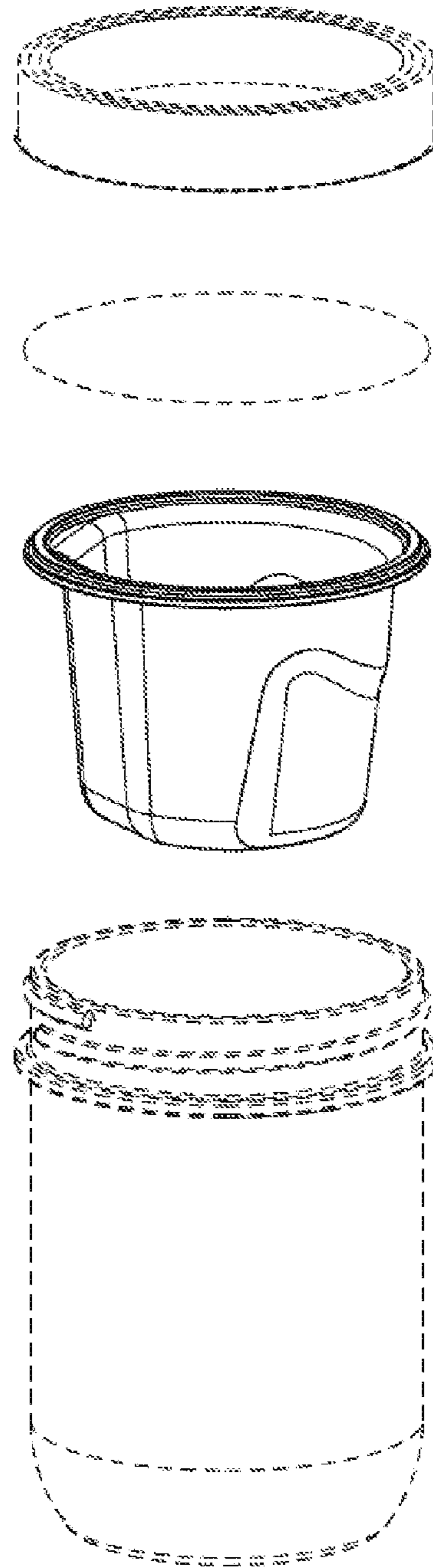


Fig. 6



**Fig. 7**



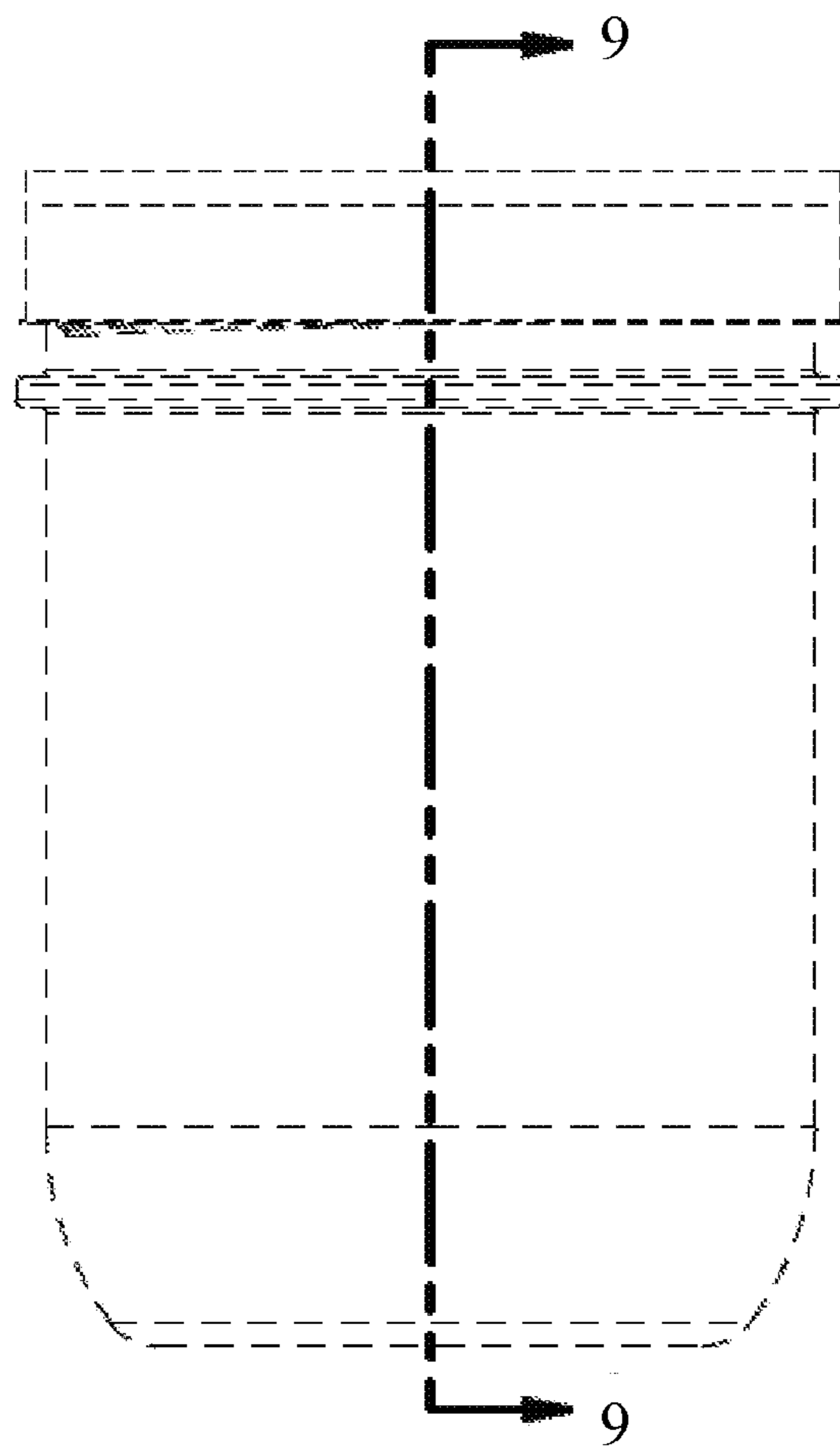


Fig. 8

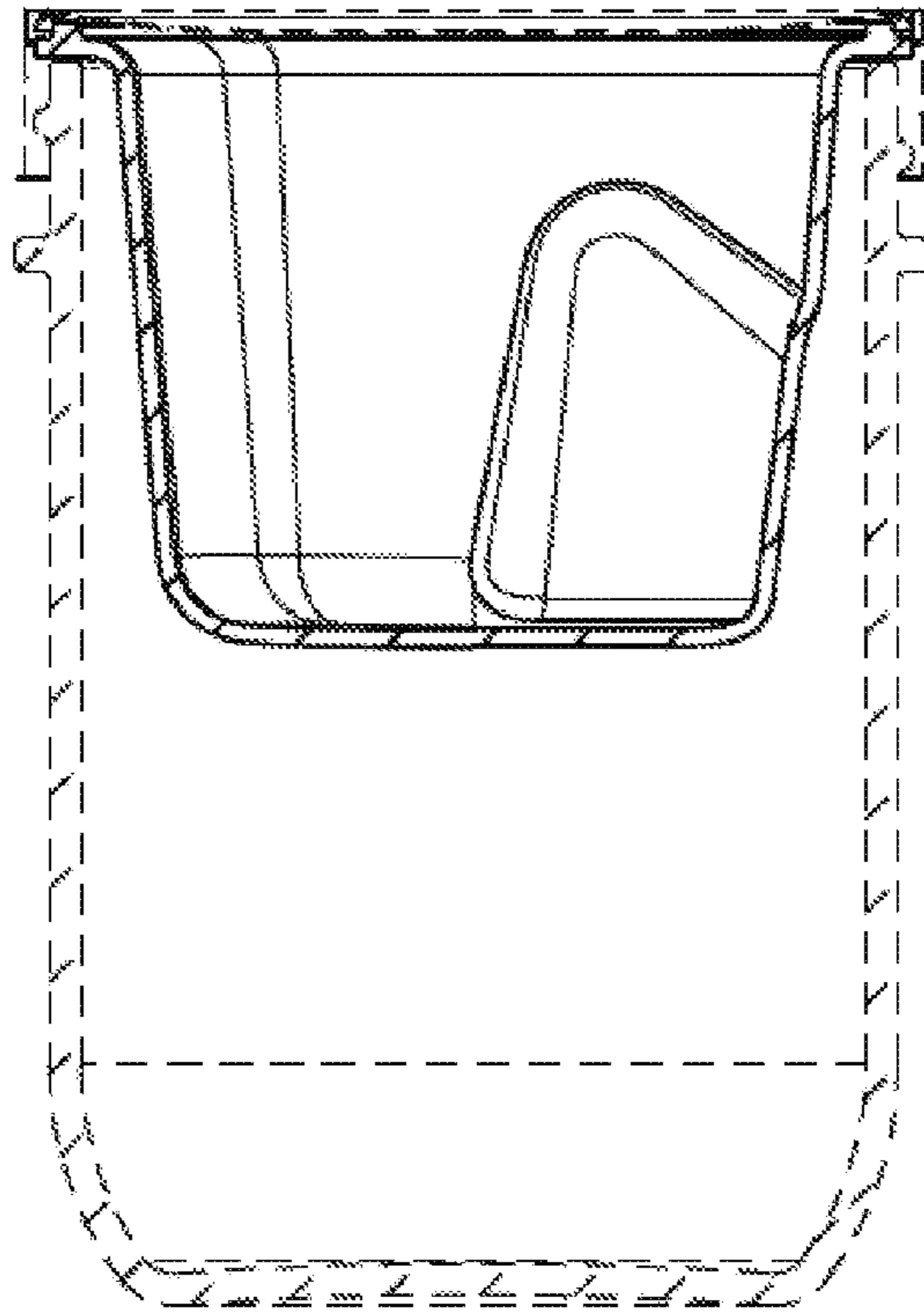


Fig. 9