



US00D725435S

(12) **United States Design Patent**
Binelo et al.

(10) **Patent No.:** **US D725,435 S**
(45) **Date of Patent:** **** Mar. 31, 2015**

- (54) **UTENSIL HANDLE**
- (71) Applicant: **Adicora Corp.**, Miami Lakes, FL (US)
- (72) Inventors: **Armando P. Binelo**, Hialeah, FL (US);
Carlos Hernandez, Pembroke Pines, FL (US)
- (73) Assignee: **Adicora Corp.**, Miami Lakes, FL (US)
- (**) Term: **14 Years**
- (21) Appl. No.: **29/482,155**
- (22) Filed: **Feb. 14, 2014**
- (51) **LOC (10) Cl.** **07-02**
- (52) **U.S. Cl.**
USPC **D7/395**
- (58) **Field of Classification Search**
USPC D7/354–361, 393–395; D8/107, 307,
D8/300; D4/138, 129; 16/430, 431, 110.1,
16/407; 220/573.1–573.5, 752, 753, 755,
220/756, 759, 771, 912; 294/34
See application file for complete search history.

Primary Examiner — Cynthia M Chin
(74) *Attorney, Agent, or Firm* — Mayback & Hoffman, P.A.;
Gregory L. Mayback

(57) **CLAIM**
The ornamental design for a utensil handle, as shown and described.

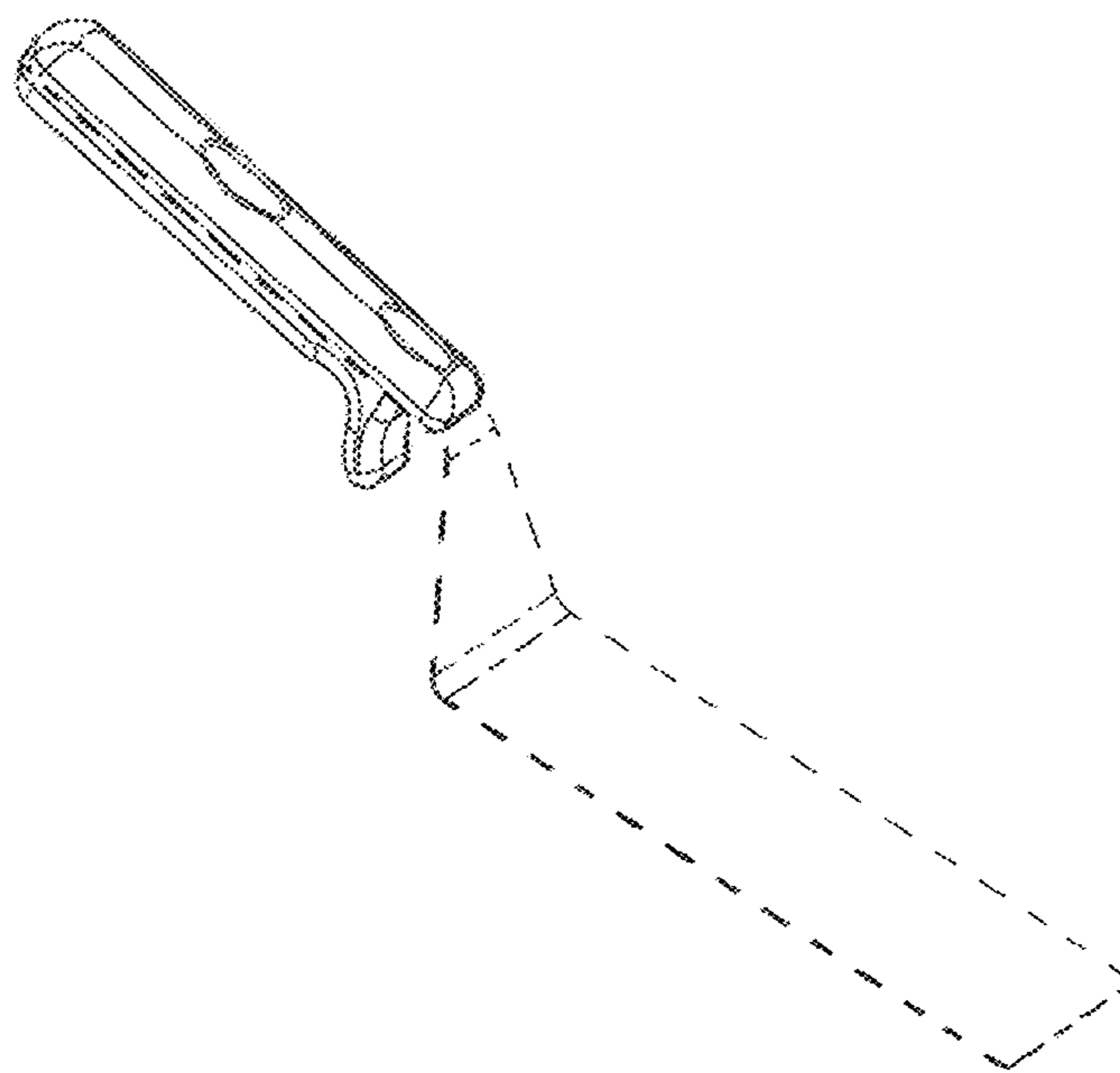
DESCRIPTION

FIG. 1 is a front elevational view of the utensil handle in accordance with the present design;
FIG. 2 is a rear elevational view thereof;
FIG. 3 is a left side elevational view thereof;
FIG. 4 is a right side elevational view thereof;
FIG. 5 is a top plan view thereof;
FIG. 6 is a bottom plan view thereof;
FIG. 7 is an environmental top plan view of the utensil handle;
FIG. 8 is a right side elevation view of the utensil handle of FIG. 7;
FIG. 9 is a left side elevation view of the utensil handle of FIG. 7;
FIG. 10 is a rear elevation view of the utensil handle of FIG. 7;
FIG. 11 is a perspective view of the utensil handle of FIG. 7 from above the front right side; and,
FIG. 12 is a perspective view of the utensil handle of FIG. 7 from below the front right side.
The broken lines in FIGS. 7 through 12 are for the purpose of illustrating environment and form no part of the claimed design.

- (56) **References Cited**
U.S. PATENT DOCUMENTS
- D293,295 S * 12/1987 Johnson D7/688
- D312,749 S * 12/1990 Kessler D7/395
- 5,934,722 A * 8/1999 Evans D7/692
- D552,416 S * 10/2007 Claypool et al. D7/393
- D564,831 S * 3/2008 Roberts et al. D7/393
- D630,054 S * 1/2011 Cagani et al. D7/395
- D655,979 S * 3/2012 Bolgert D7/401.2
- D659,467 S * 5/2012 Buchanan D7/395
- 8,272,132 B2 * 9/2012 Bolgert 30/327
- D702,491 S * 4/2014 Lo D7/395

* cited by examiner

1 Claim, 5 Drawing Sheets



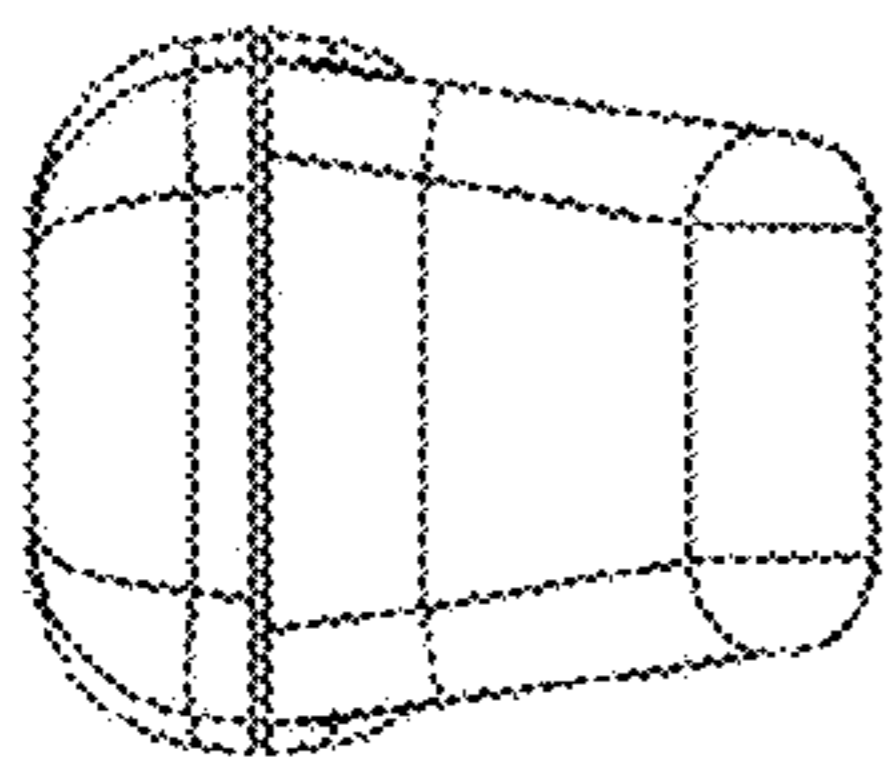


FIG. 1

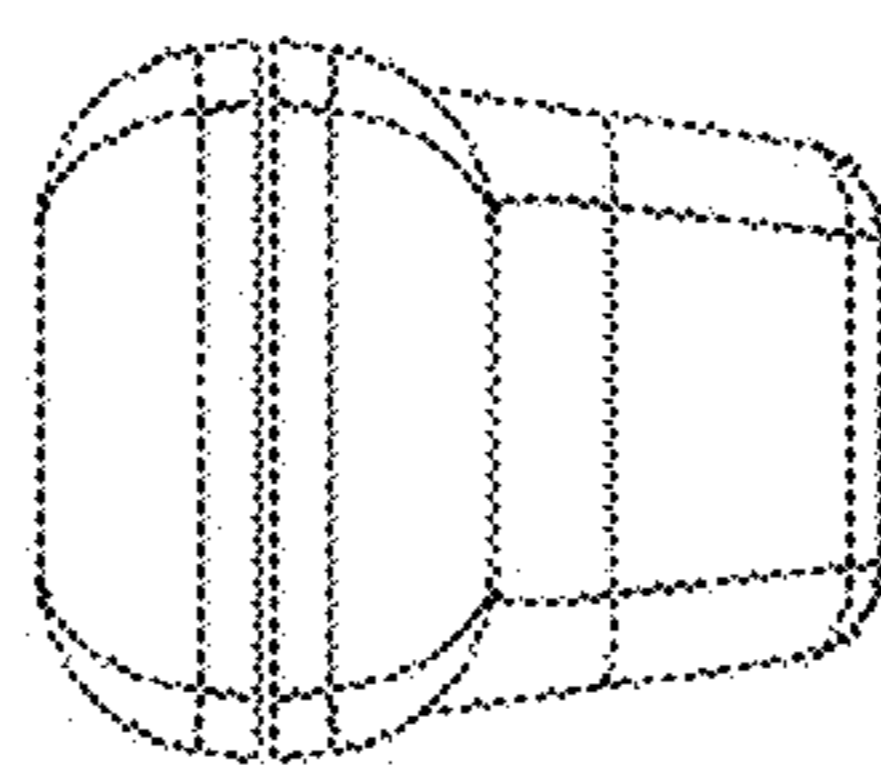


FIG. 2

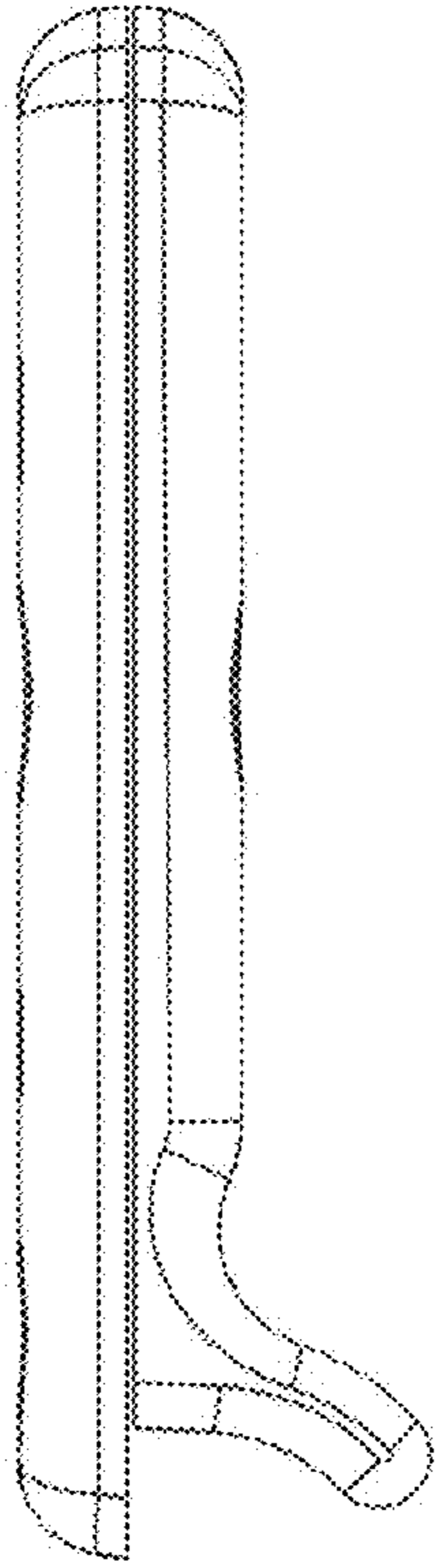


FIG. 3

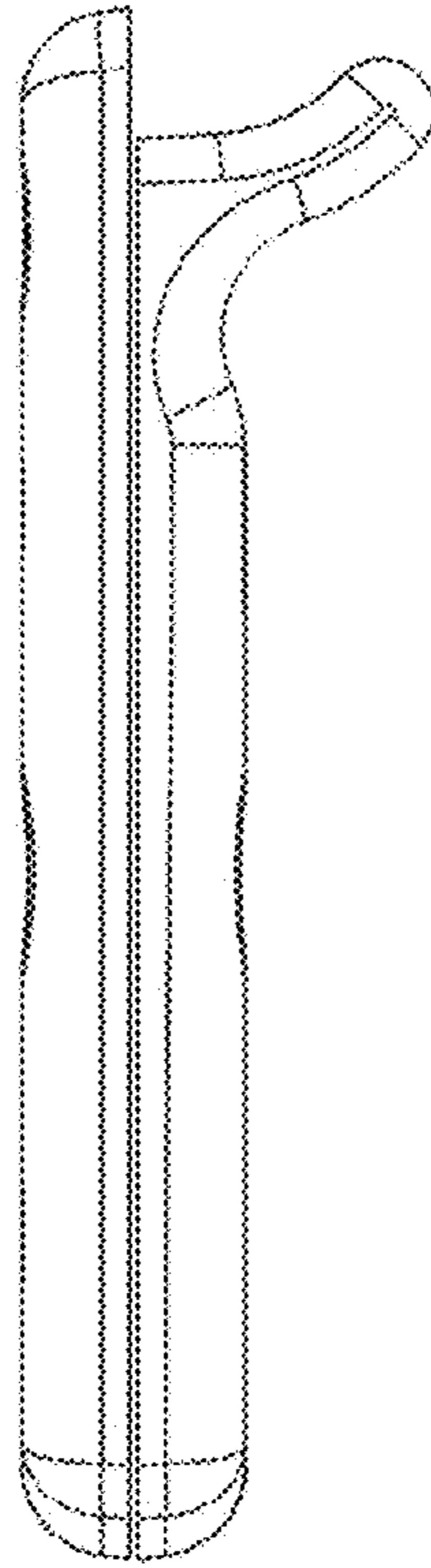


FIG. 4

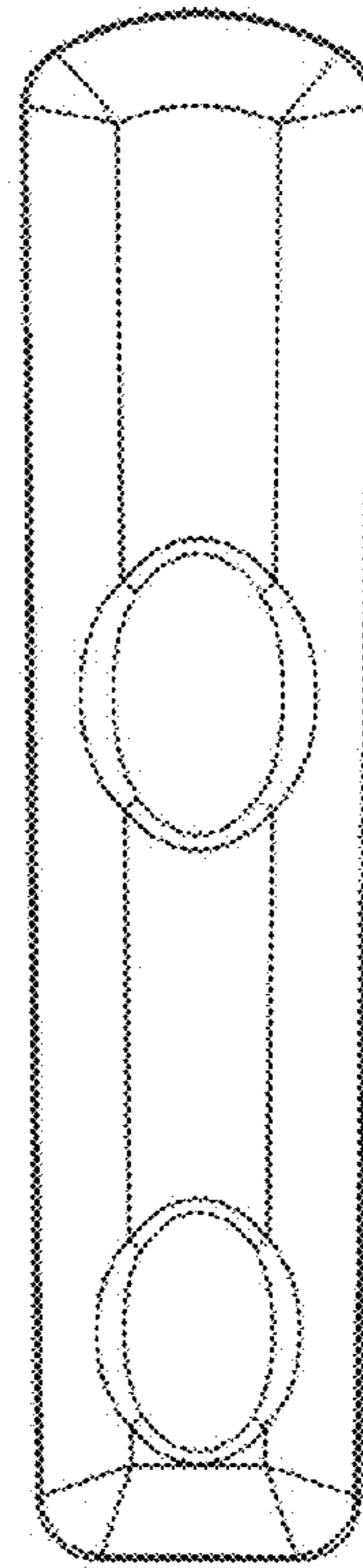


FIG. 5

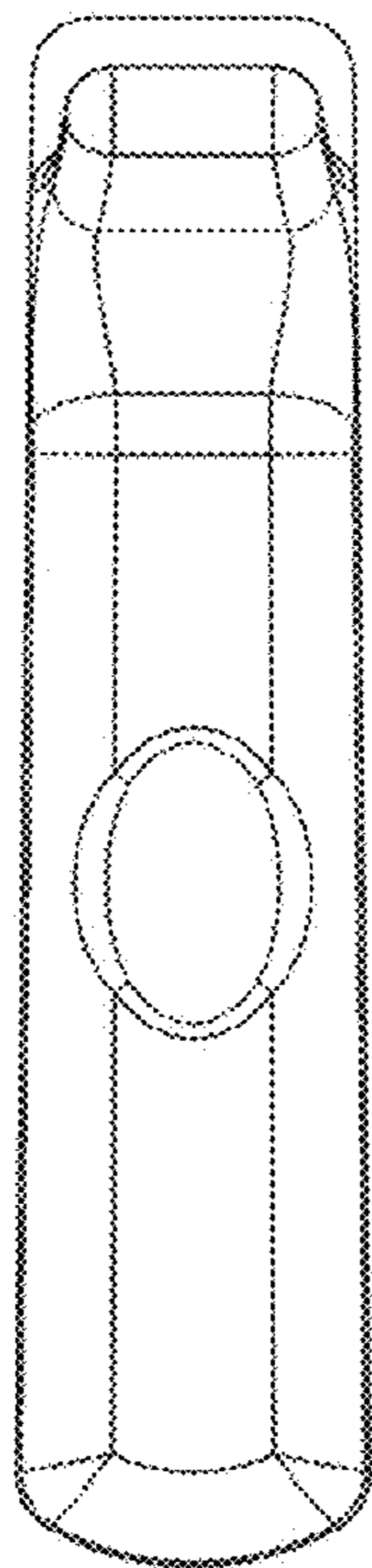


FIG. 6

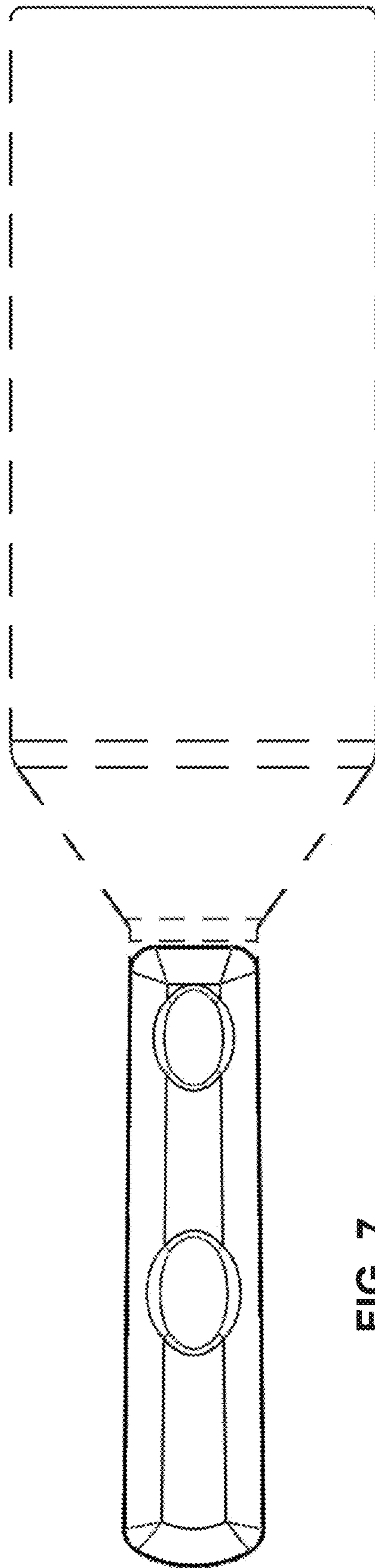
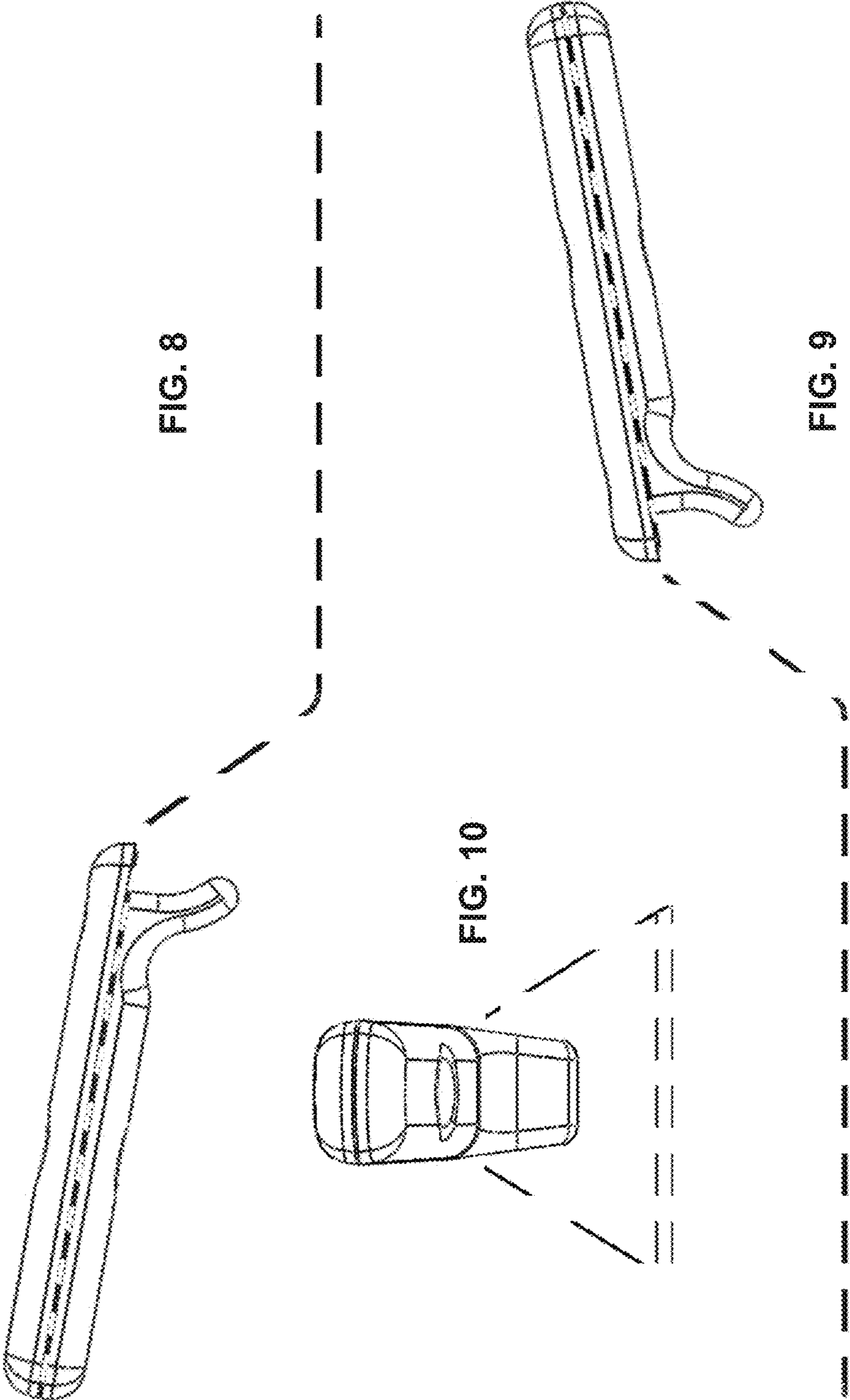


FIG. 7



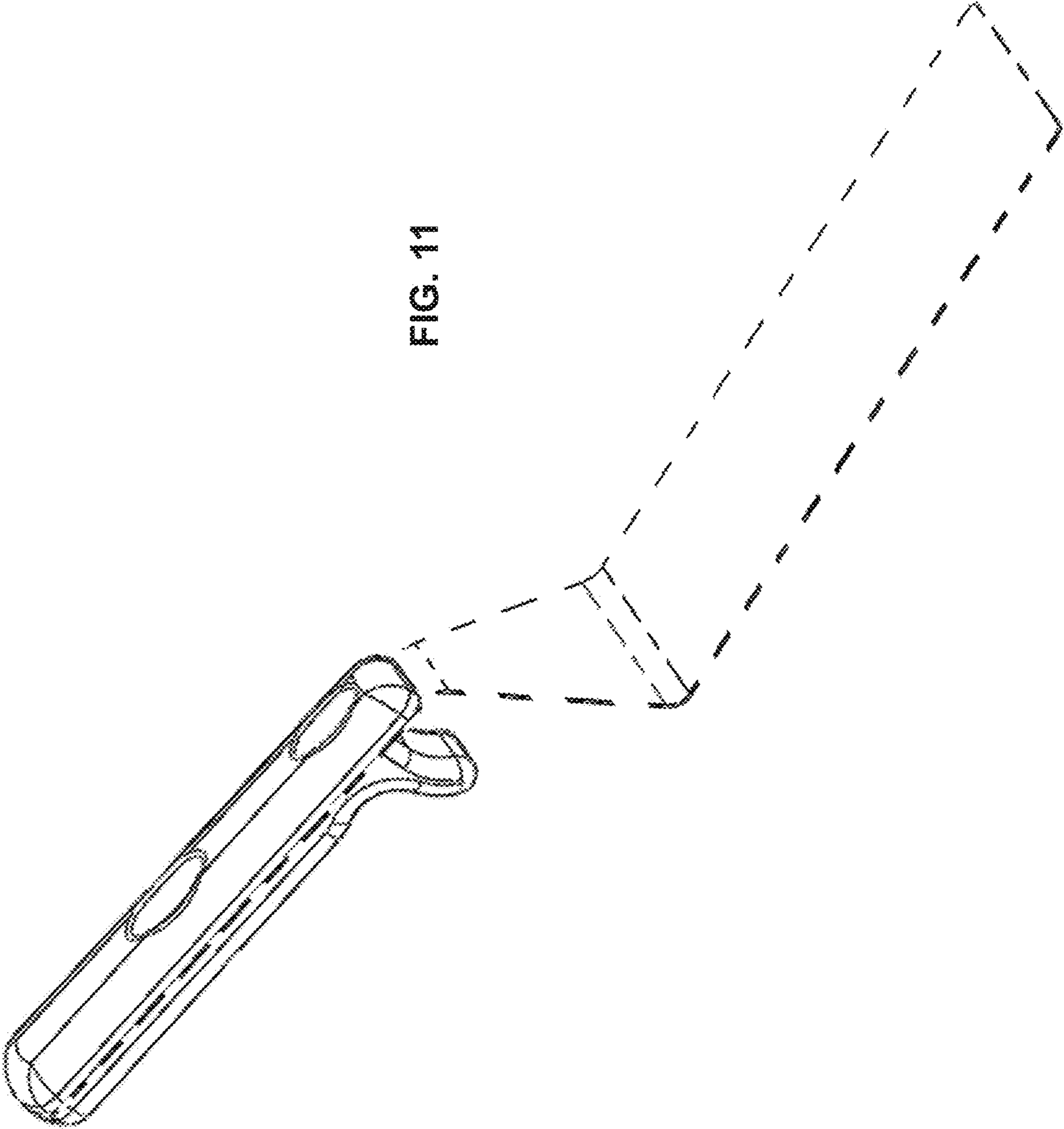


FIG. 11

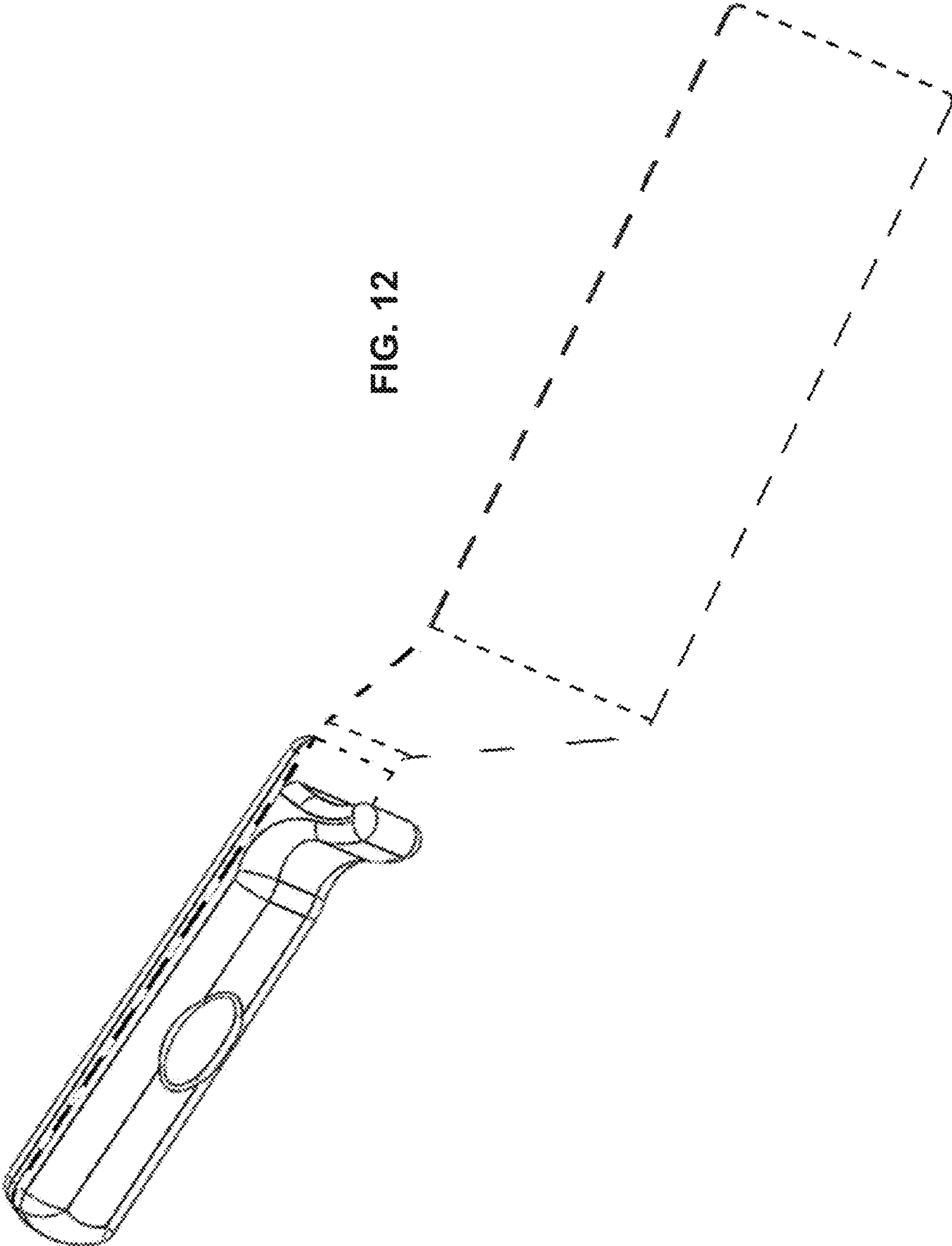


FIG. 12