



US00D725434S

(12) **United States Design Patent**
De Leo

(10) **Patent No.:** **US D725,434 S**
(45) **Date of Patent:** **** Mar. 31, 2015**

- (54) **FLIP-TOP STRAW TUMBLER**
- (71) Applicant: **Dart Industries Inc.**, Orlando, FL (US)
- (72) Inventor: **Anthony M. De Leo**, Orlando, FL (US)
- (73) Assignee: **Dart Industries Inc.**, Orlando, FL (US)
- (**) Term: **14 Years**
- (21) Appl. No.: **29/437,665**
- (22) Filed: **Nov. 20, 2012**
- (51) **LOC (10) Cl.** **07-01**
- (52) **U.S. Cl.**
USPC **D7/392.1**
- (58) **Field of Classification Search**
CPC A47G 19/2005; A47G 19/2266–19/2272
USPC D7/509–511, 523, 529–536, 392.1,
D7/396.2; 220/703–710; 215/387, 388;
D9/525, 503, 435, 440, 445, 447, 449,
D9/450
See application file for complete search history.

(56) **References Cited**

U.S. PATENT DOCUMENTS

4,852,762	A *	8/1989	Chou-Sheng	220/709
5,259,538	A	11/1993	Tardif	
5,273,172	A *	12/1993	Rossbach et al.	215/388
5,361,934	A *	11/1994	Spence, Jr.	220/707
D356,499	S *	3/1995	Cautereels et al.	D9/449
D364,314	S	11/1995	Humphrey et al.	
D367,206	S	2/1996	Green	
5,518,142	A *	5/1996	Lin	220/707
D370,828	S *	6/1996	Green	D7/510
5,542,670	A	8/1996	Morano	
D382,170	S *	8/1997	Green	D7/392.1
D385,745	S *	11/1997	Valentinitsch	D7/510
D397,906	S	9/1998	Briggs et al.	
D408,220	S	4/1999	Chomik	
6,050,433	A	4/2000	Russell et al.	
6,050,445	A	4/2000	Manganiello	

D448,244	S	9/2001	Thomas	
D448,971	S	10/2001	Hughes	
D467,176	S *	12/2002	Morgan	D9/447
6,595,822	B1 *	7/2003	Thai	446/16
7,124,907	B2	10/2006	Conaway	
D555,428	S *	11/2007	Tulett	D7/510
D584,102	S	1/2009	Valderrama et al.	
D627,594	S *	11/2010	Boonprasop	D7/392.1
D666,874	S *	9/2012	Sakulsacha	D7/510
D683,188	S *	5/2013	Gold et al.	D7/510
D683,189	S *	5/2013	Thomas	D7/511
8,544,676	B2 *	10/2013	Roth et al.	220/709
D692,724	S *	11/2013	Smiedt et al.	D7/510
D713,687	S *	9/2014	Lv	D7/510
D715,099	S *	10/2014	Lv	D7/510
2004/0069783	A1 *	4/2004	Chen	220/709
2005/0133519	A1 *	6/2005	McDonough	220/705
2005/0167437	A1	8/2005	Struckmeier	

(Continued)

Primary Examiner — Susan Hattan
Assistant Examiner — Brett Miller
(74) *Attorney, Agent, or Firm* — Taylor J. Ross

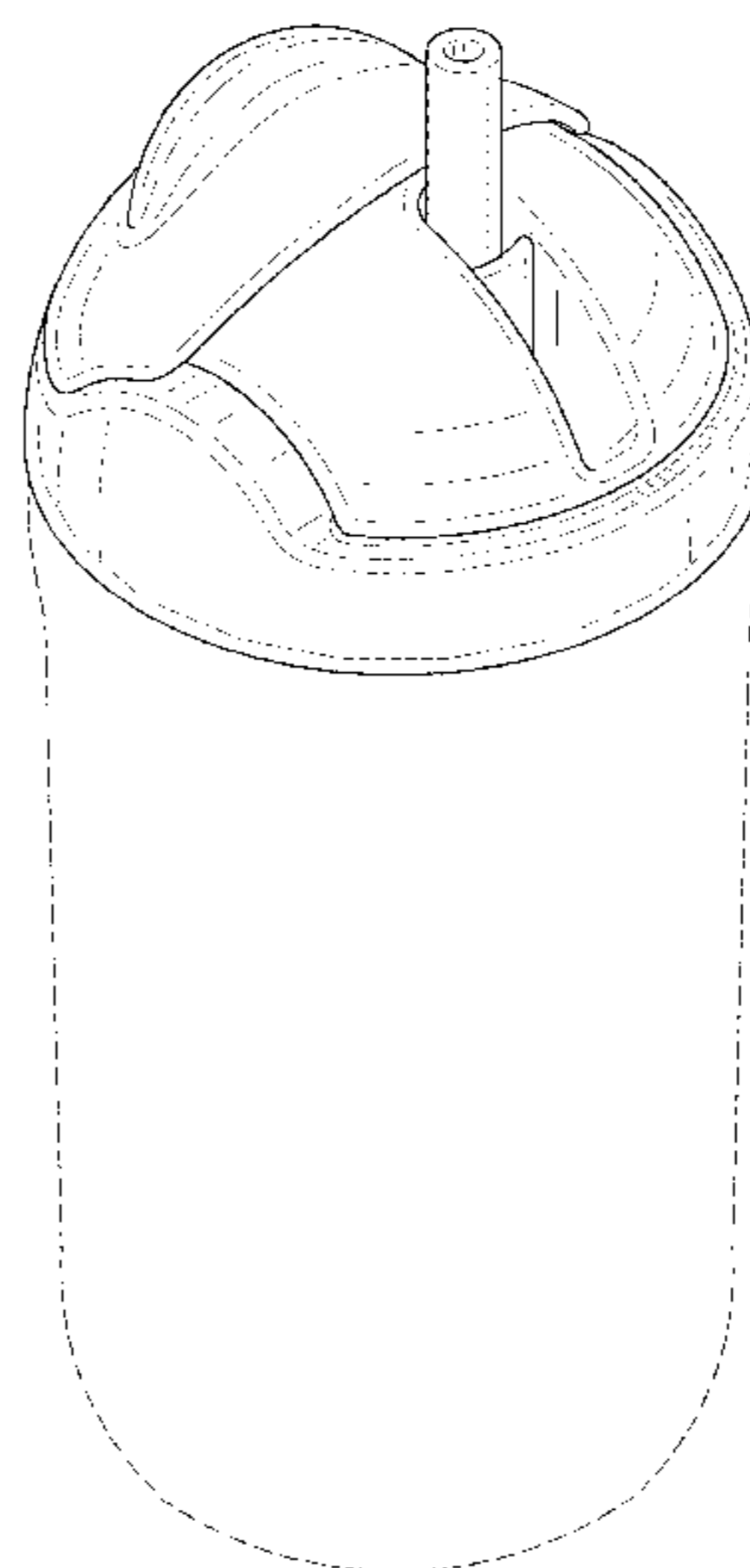
(57) **CLAIM**

The ornamental design for a flip-top straw tumbler, as shown and described.

DESCRIPTION

FIG. 1 is a top, side and front perspective view of a flip-top straw tumbler showing my new design in the closed position; FIG. 2 is a top plan view thereof, the bottom plan view being obscured during use. FIG. 3 is a front elevation view thereof; FIG. 4 is a rear elevation view thereof; FIG. 5 is a left side elevation view, the right side elevation being a mirror image thereof; and, FIG. 6 is a top, side and front perspective view of a flip-top straw tumbler in the open position. The broken lines depict environmental subject matter and form no part of the claimed design.

1 Claim, 4 Drawing Sheets



US D725,434 S

Page 2

(56)

References Cited

U.S. PATENT DOCUMENTS

2010/0170902	A1*	7/2010	Britto et al.	220/709
2014/0138395	A1*	5/2014	Joy et al.	220/715
2014/0158699	A1*	6/2014	Kim et al.	220/709
2009/0250478	A1*	10/2009	Roth et al.	220/703
2009/0255944	A1	10/2009	Yamashita et al.	

* cited by examiner

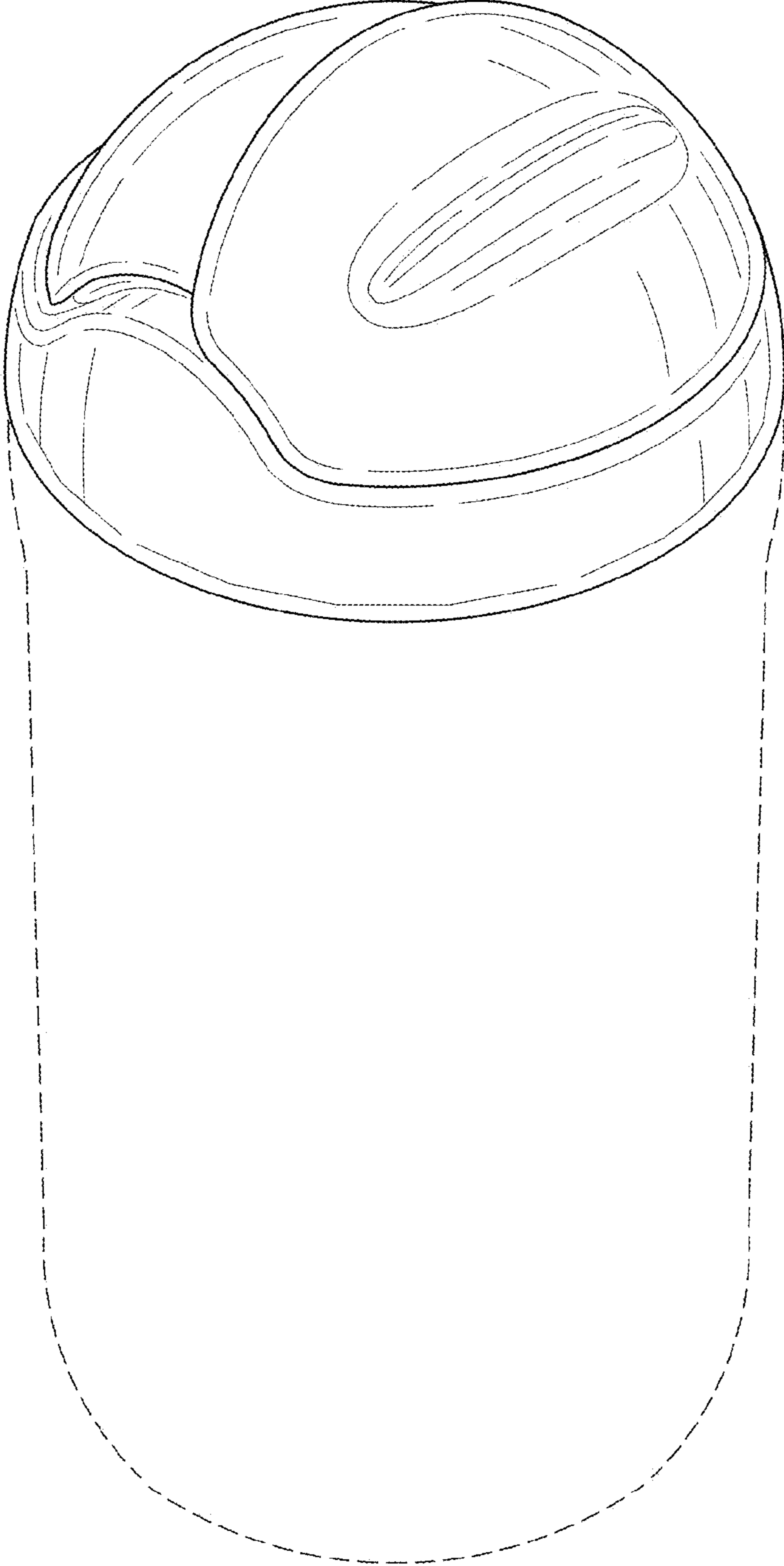


FIG. 1

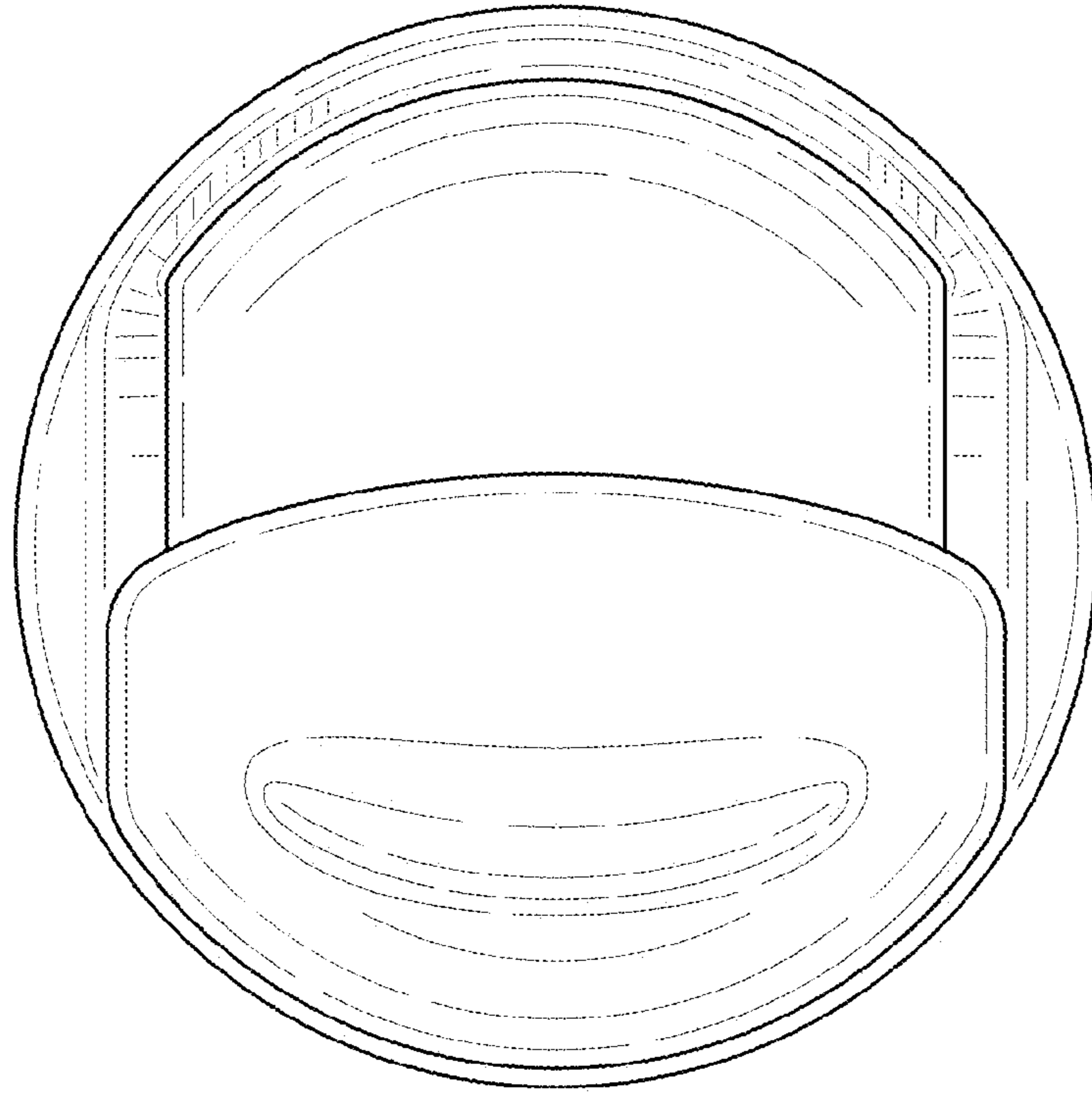


FIG. 2

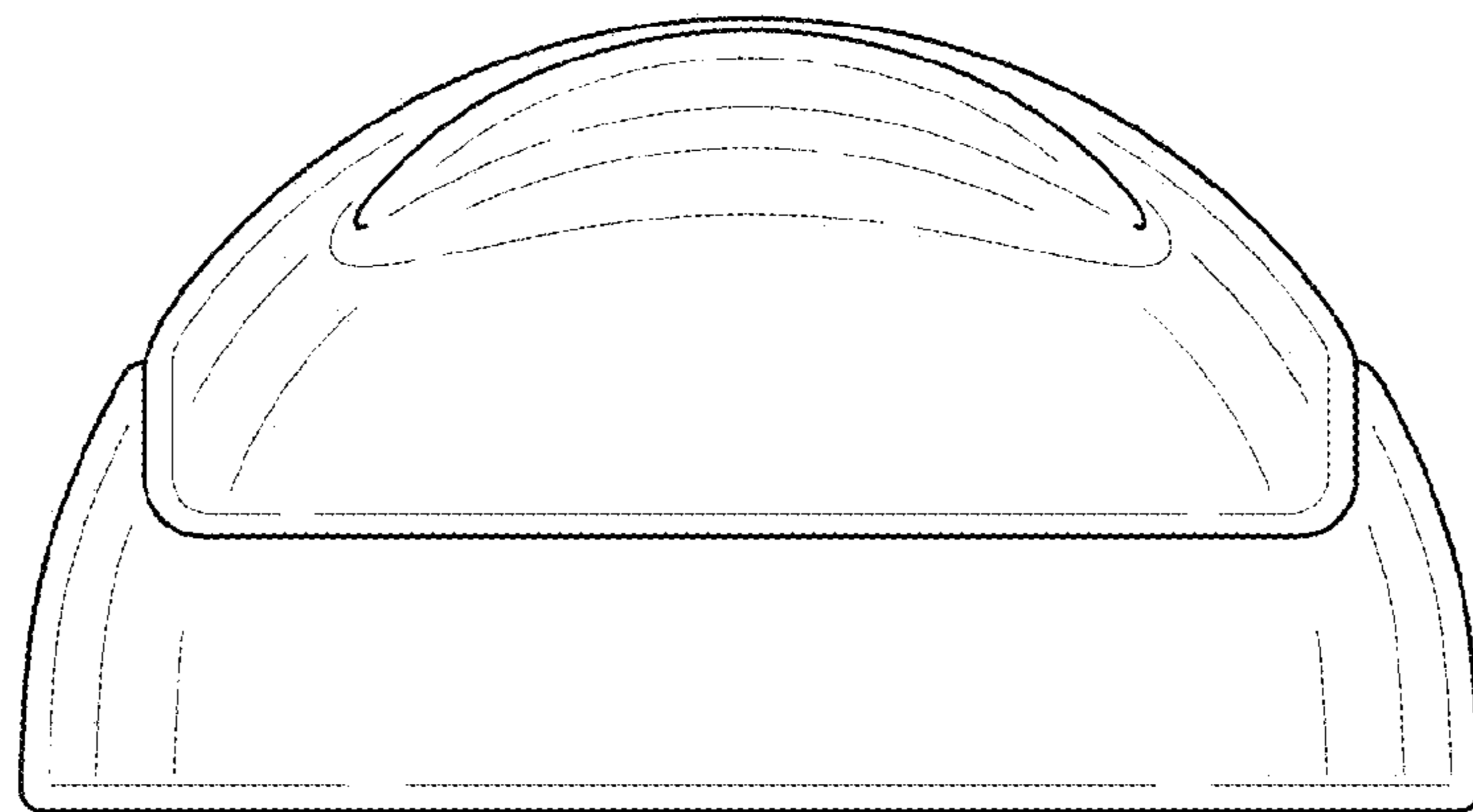


FIG. 3

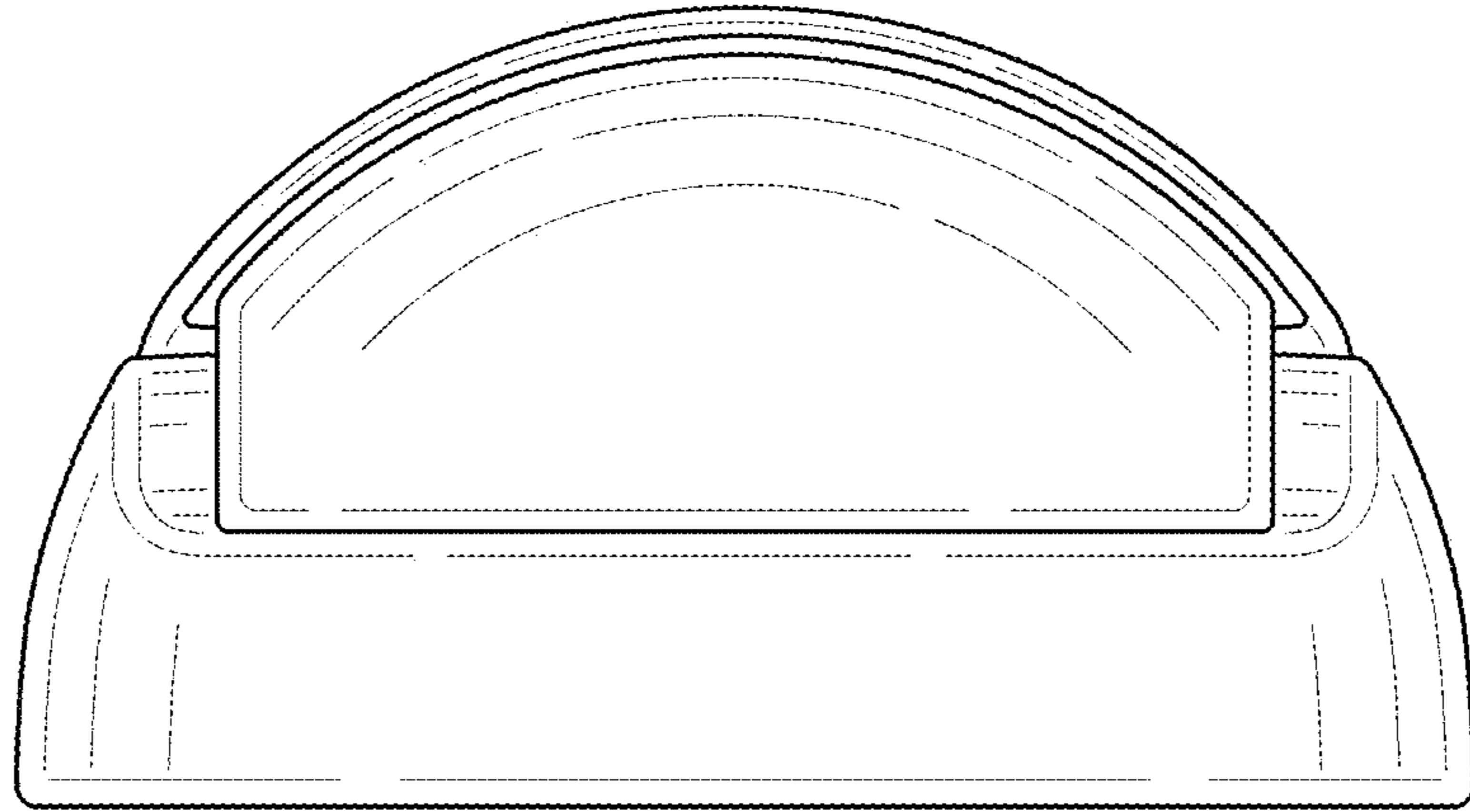


FIG. 4

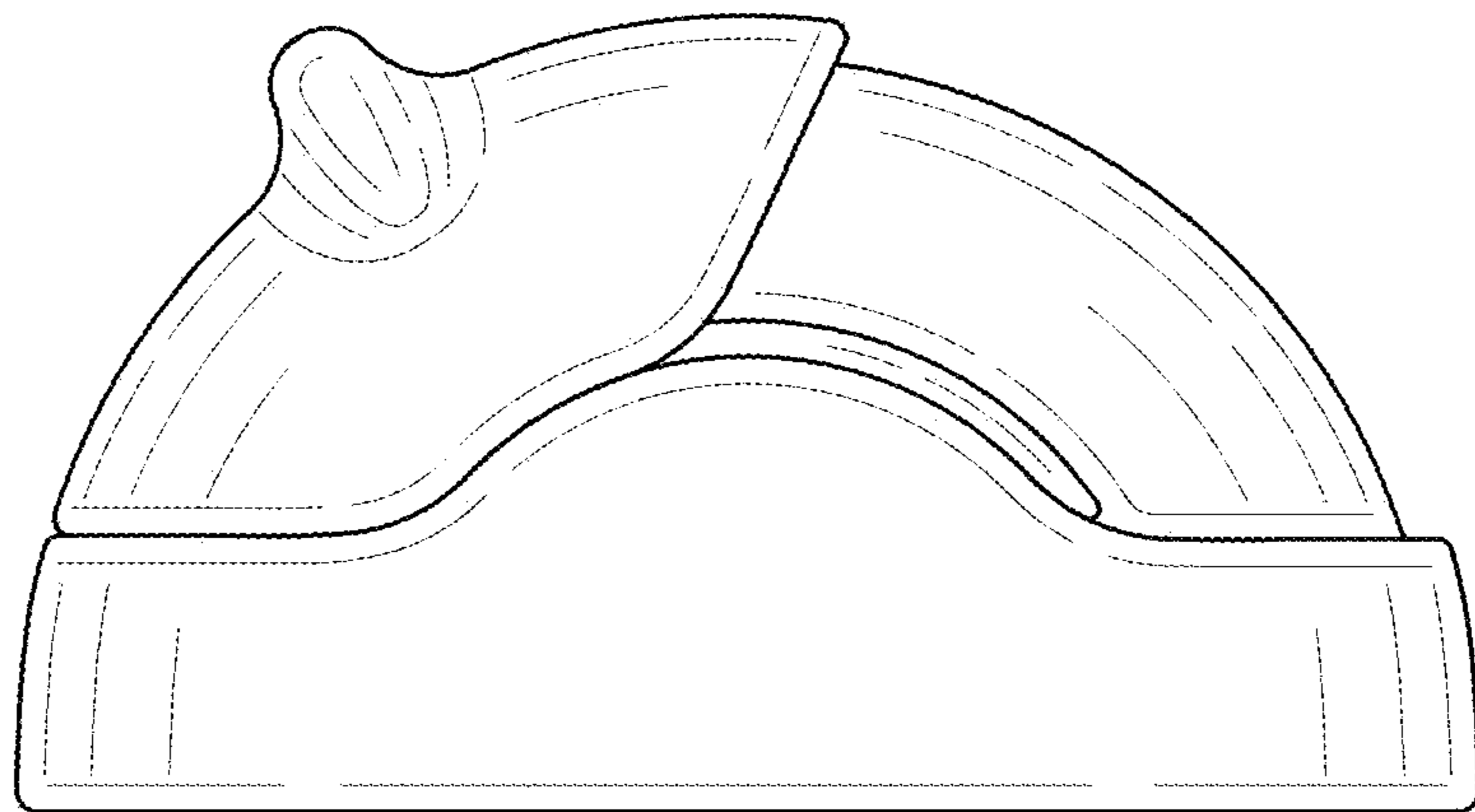


FIG. 5

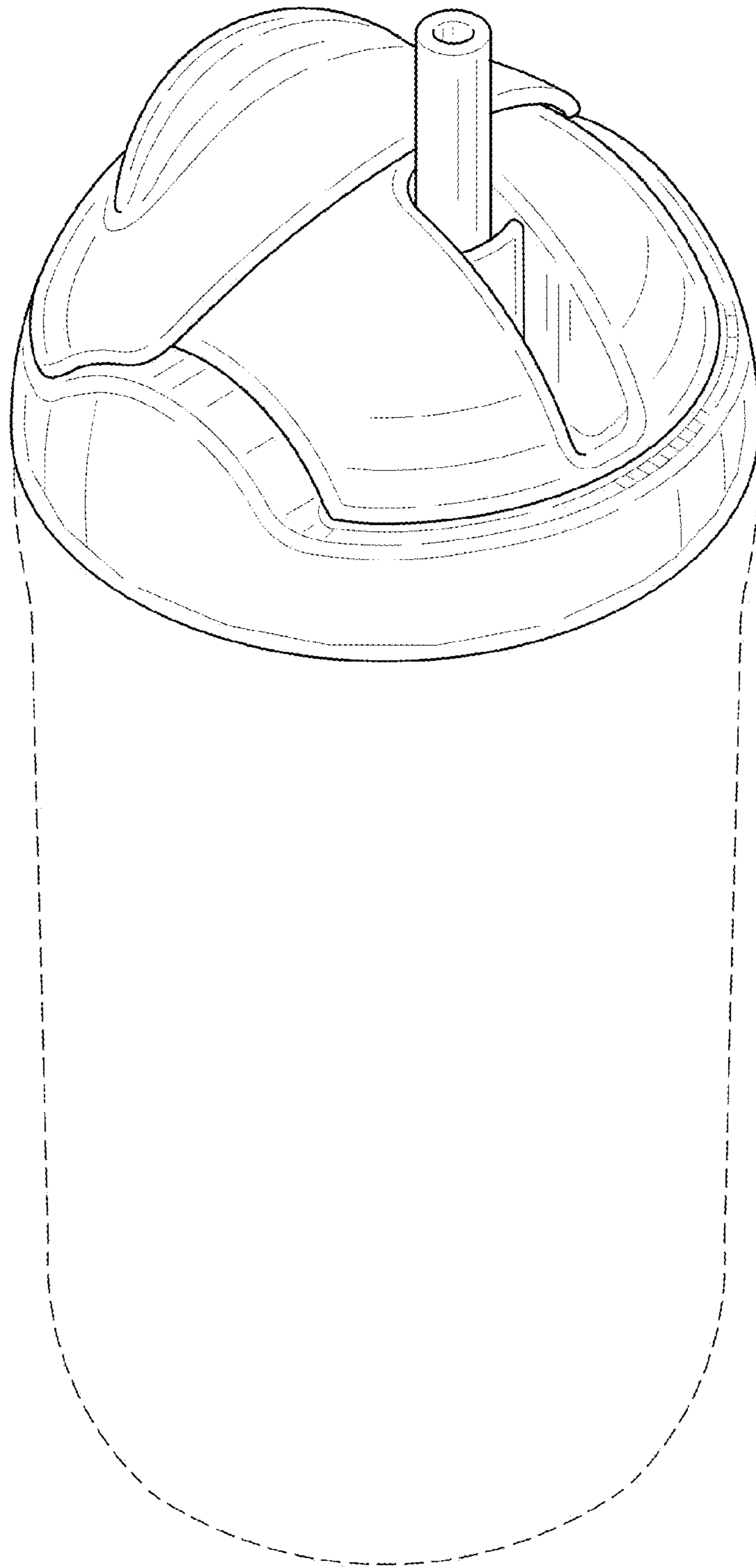


FIG. 6