



US00D725432S

(12) **United States Design Patent**
Gao

(10) **Patent No.:** **US D725,432 S**
(45) **Date of Patent:** **** Mar. 31, 2015**

(54) **BLENDER**

(56) **References Cited**

(71) Applicant: **Ningbo Peichen Electric Appliance Co., Ltd., Ningbo (CN)**

U.S. PATENT DOCUMENTS

(72) Inventor: **Yisong Gao, Ningbo (CN)**

3,175,594 A *	3/1965	Jepson et al.	241/199.12
D204,924 S *	5/1966	Di Sesa	D7/378
D502,358 S *	3/2005	Weaden	D7/378
D519,314 S *	4/2006	Blaise	D7/378
D553,425 S *	10/2007	Steiner et al.	D7/378
D553,426 S *	10/2007	Lin	D7/378
D556,506 S *	12/2007	Spagnolo	D7/378
D578,340 S *	10/2008	Picozza et al.	D7/378
D613,547 S *	4/2010	Day et al.	D7/378
D629,643 S *	12/2010	Bower	D7/378
D630,467 S *	1/2011	Harrod	D7/376
D679,935 S *	4/2013	Tse et al.	D7/326
2004/0042337 A1 *	3/2004	Yiu et al.	366/199

(73) Assignee: **Ningbo Peichen Electric Appliance Co., Ltd., Ningbo (CN)**

(**) Term: **14 Years**

(21) Appl. No.: **29/490,849**

(22) Filed: **May 14, 2014**

* cited by examiner

(30) **Foreign Application Priority Data**

Apr. 14, 2014 (CN) 2014 3 0087046

Primary Examiner — Ricky Pham

(51) **LOC (10) CL.** **31-00**

(74) *Attorney, Agent, or Firm* — Hamre, Schumann, Mueller & Larson, P.C.

(52) **U.S. CL.**
USPC **D7/378; D7/376; D7/384**

(57) **CLAIM**

The ornamental design for the “blender,” as shown and described.

(58) **Field of Classification Search**

DESCRIPTION

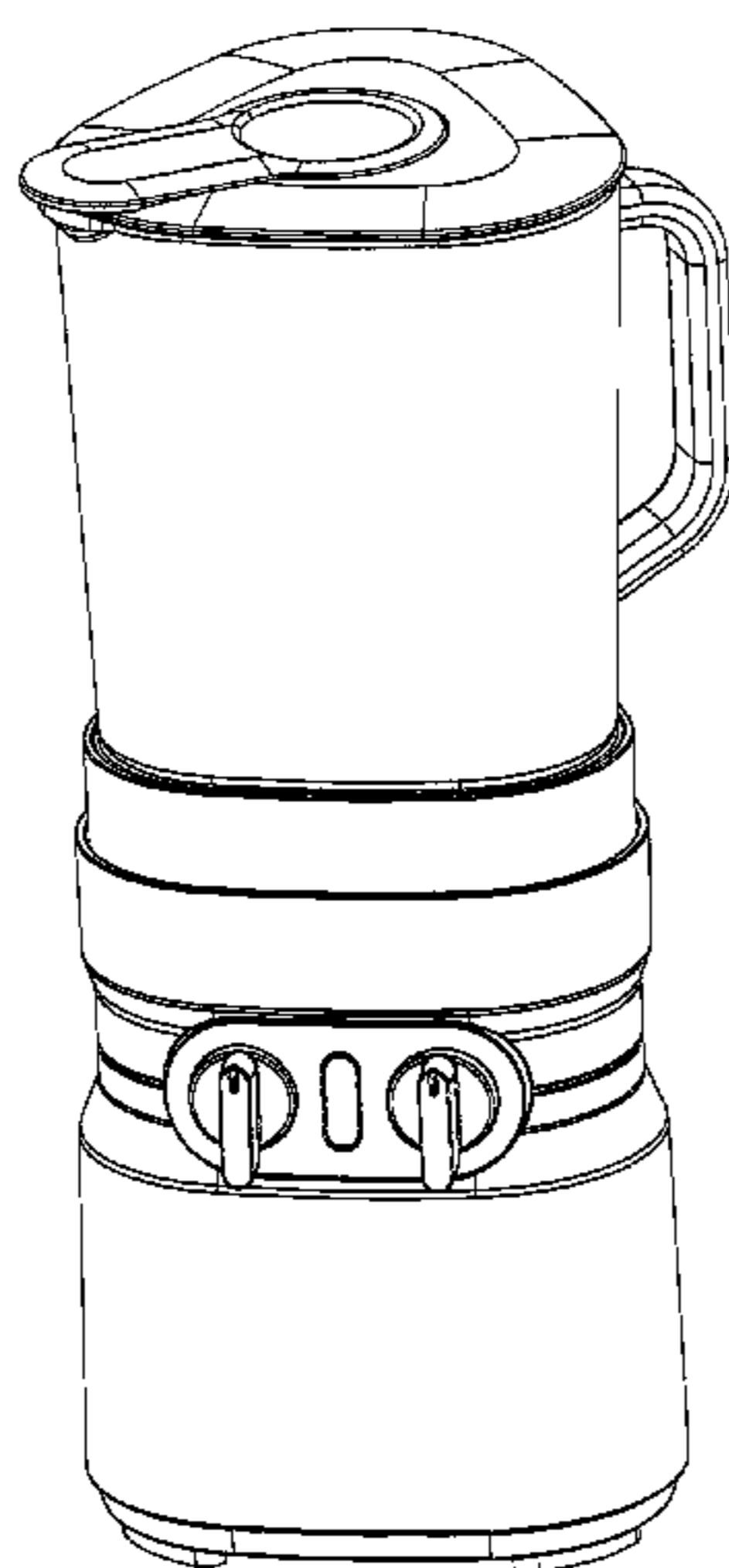
CPC A21C 1/02; A21C 1/04; A23N 1/00; A23N 1/02; A47J 43/04; A47J 43/25; A47J 43/27; A47J 43/042; A47J 43/044; A47J 43/046; A47J 43/075; A47J 43/0722; A47J 43/0727; A47J 43/0777; B01F 3/00; B01F 3/0807; B01F 3/0853; B01F 13/0059; B01F 13/0064; B02C 1/08; B02C 2/04; B02C 4/42; B02C 4/142; B02C 4/143; B02C 4/423; B02C 13/1835; B28C 5/10; B28C 5/12; B28C 5/14; B28C 5/16; H02P 7/295

USPC D7/326, 372, 376–386, 412–413, 602, D7/629, 665–666, 669, 679, 693–694; 99/509–511; 241/92, 98, 241/101.01–101.2, 166–169.1, 199.12, 241/274–278.2, 285.1–285.3, 291, 292.1; 366/64–65, 97–98, 100, 130, 197–201, 366/205–207, 219–220, 341–343

See application file for complete search history.

FIG. 1 is a front elevational view of the blender showing my new design;
 FIG. 2 is a rear elevational view of the blender showing my new design;
 FIG. 3 is a left elevational view of the blender showing my new design;
 FIG. 4 is a right elevational view of the blender showing my new design;
 FIG. 5 is a top plan view of the blender showing my new design;
 FIG. 6 is a bottom plan view of the blender showing my new design; and,
 FIG. 7 is a perspective view of the blender showing my new design.

1 Claim, 7 Drawing Sheets



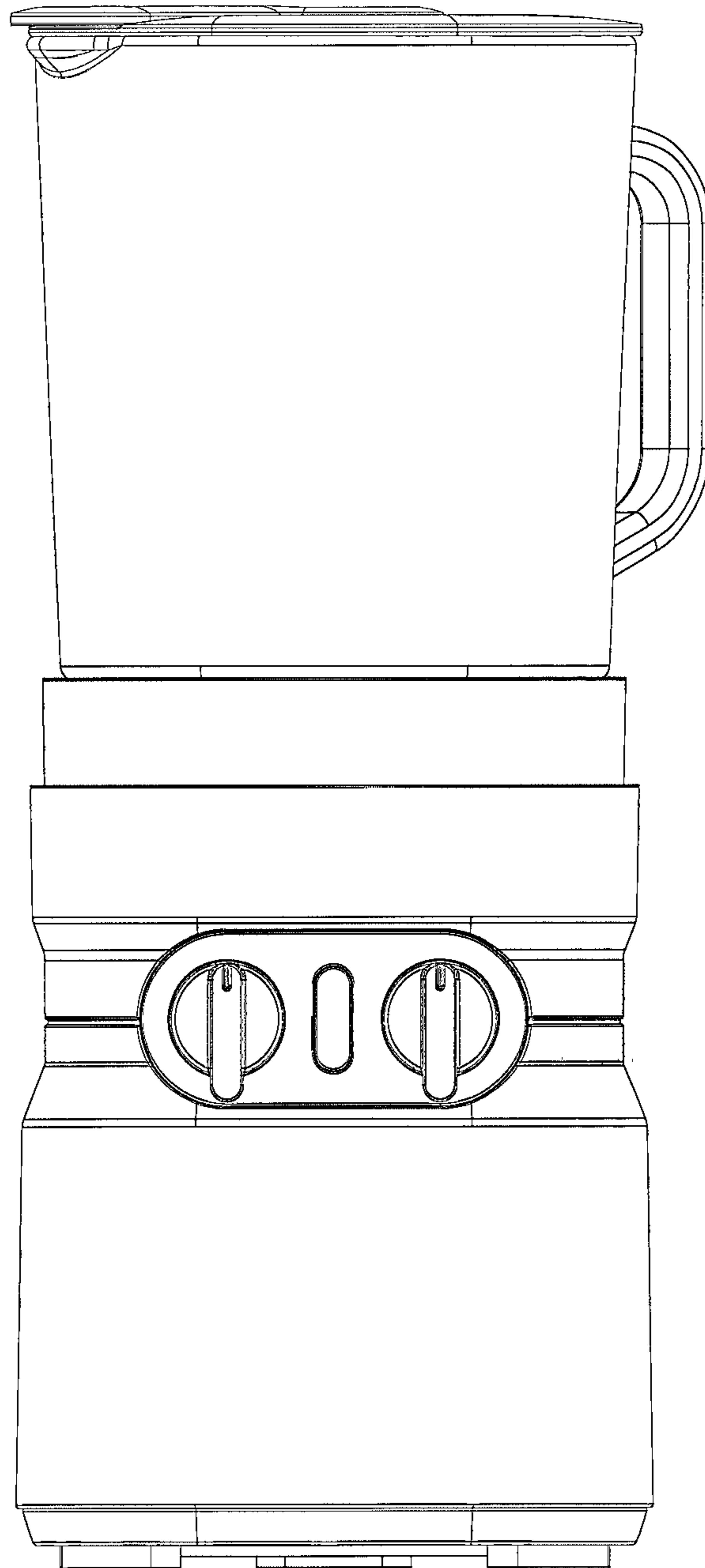


FIG. 1

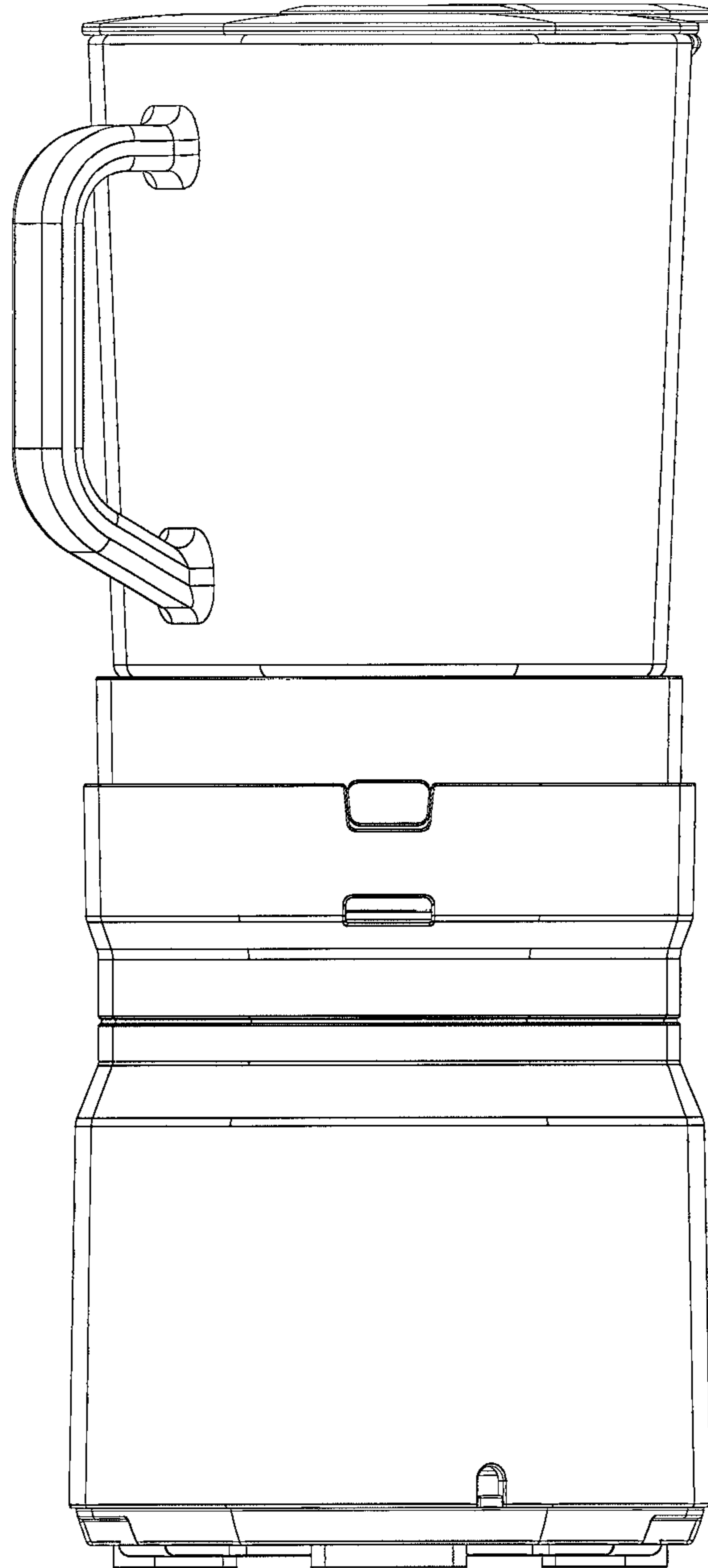


FIG. 2

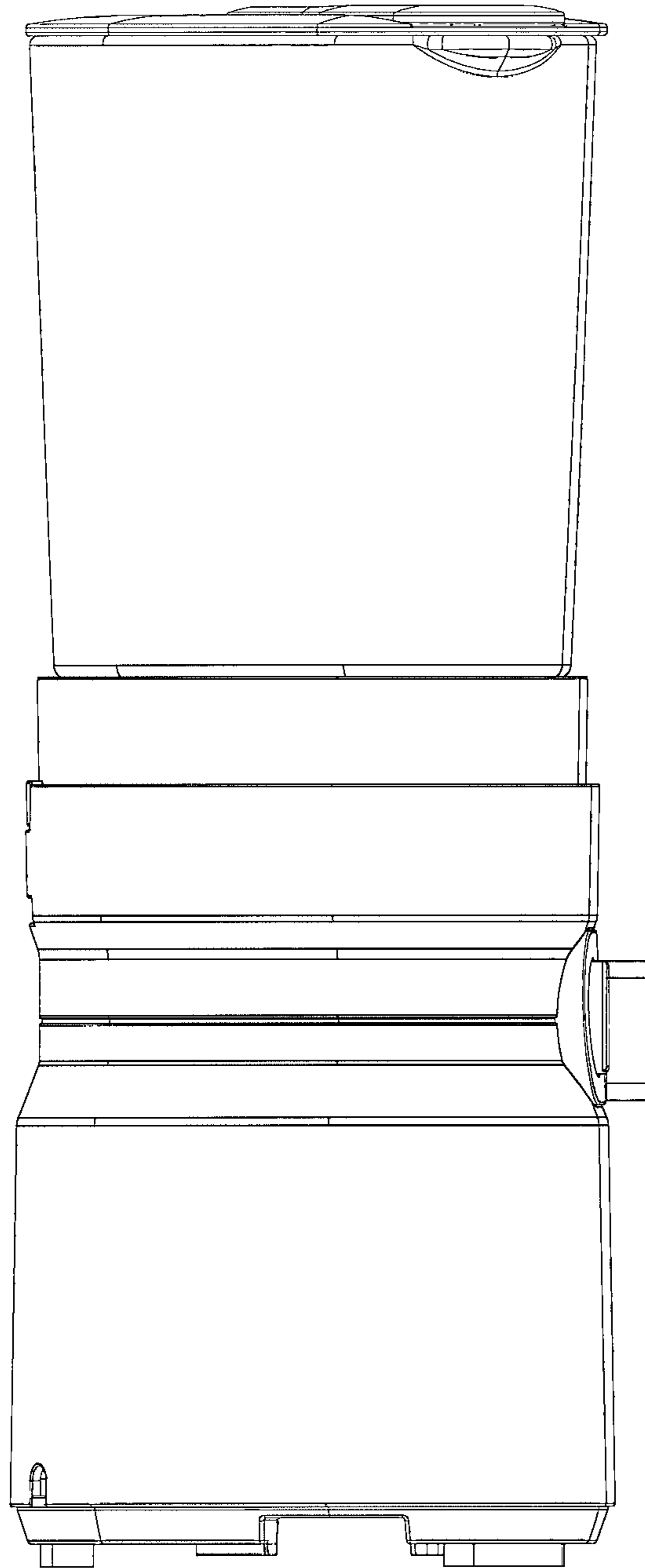


FIG. 3

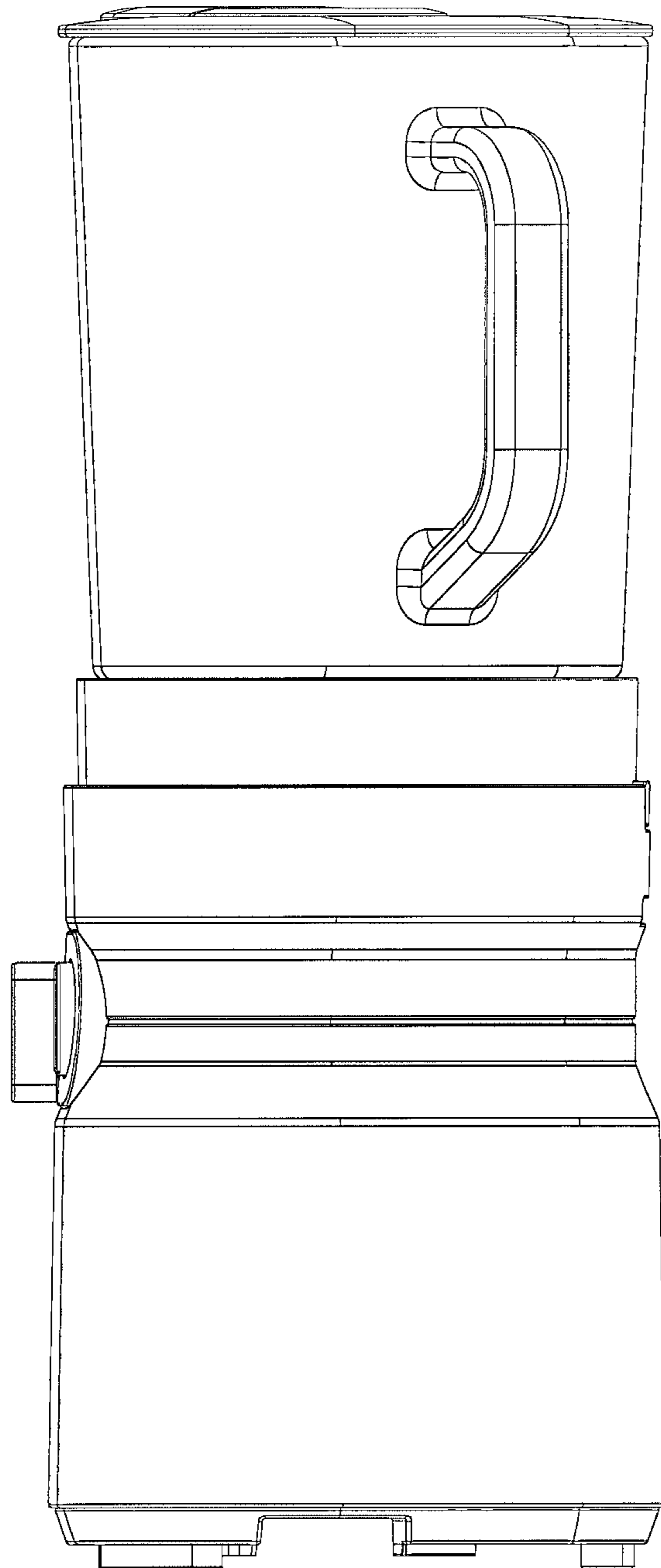


FIG. 4

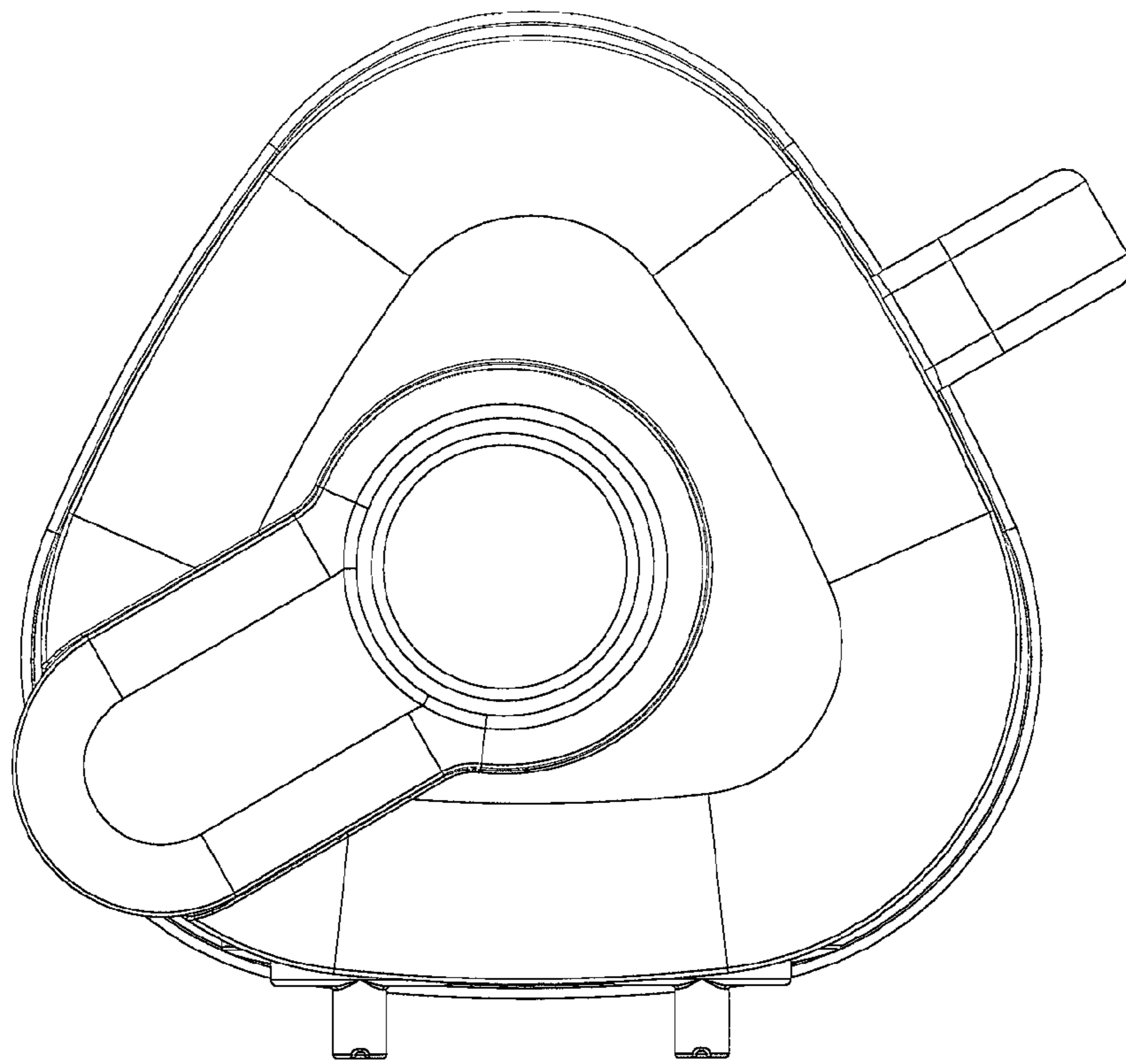


FIG. 5

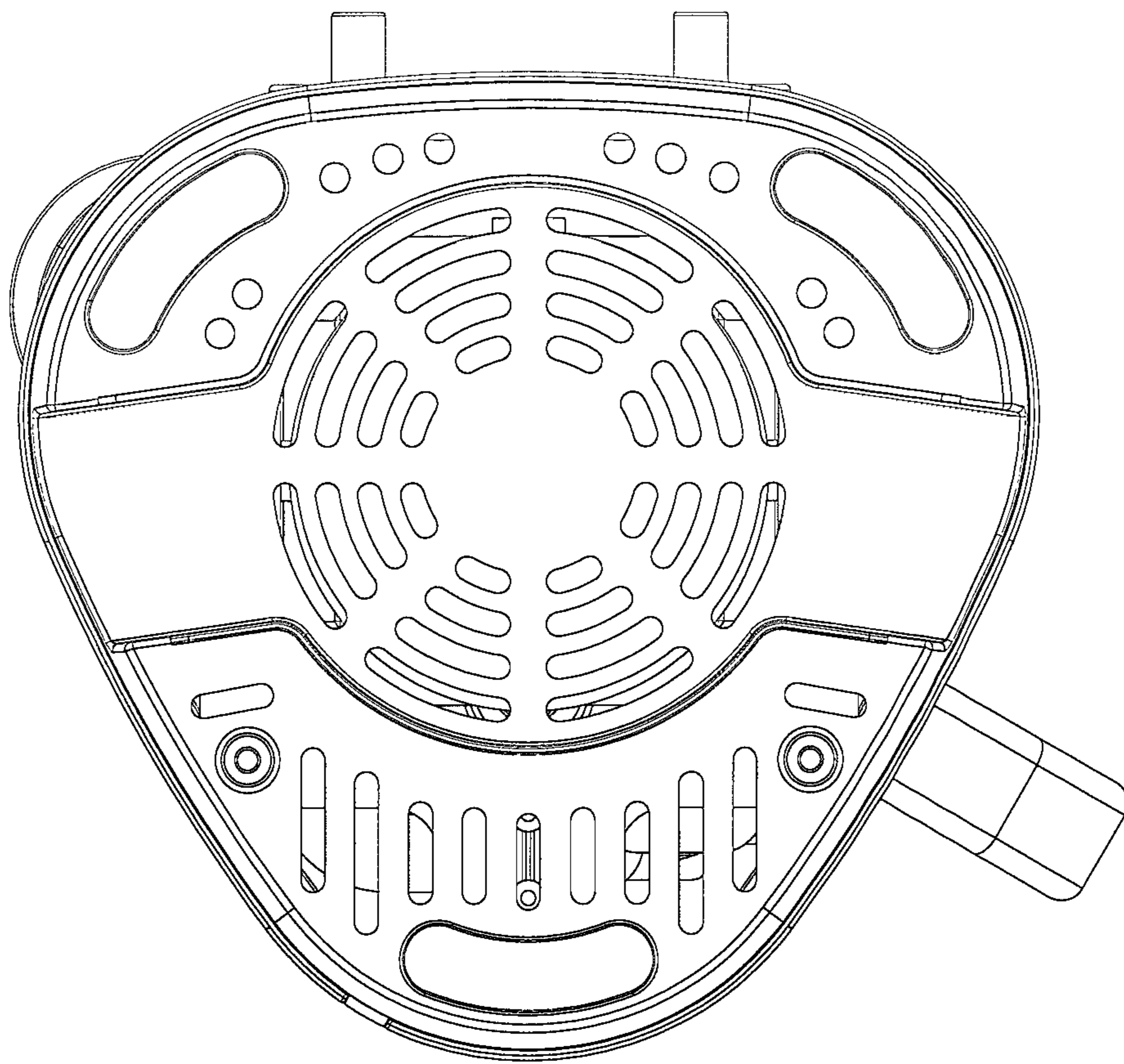


FIG. 6

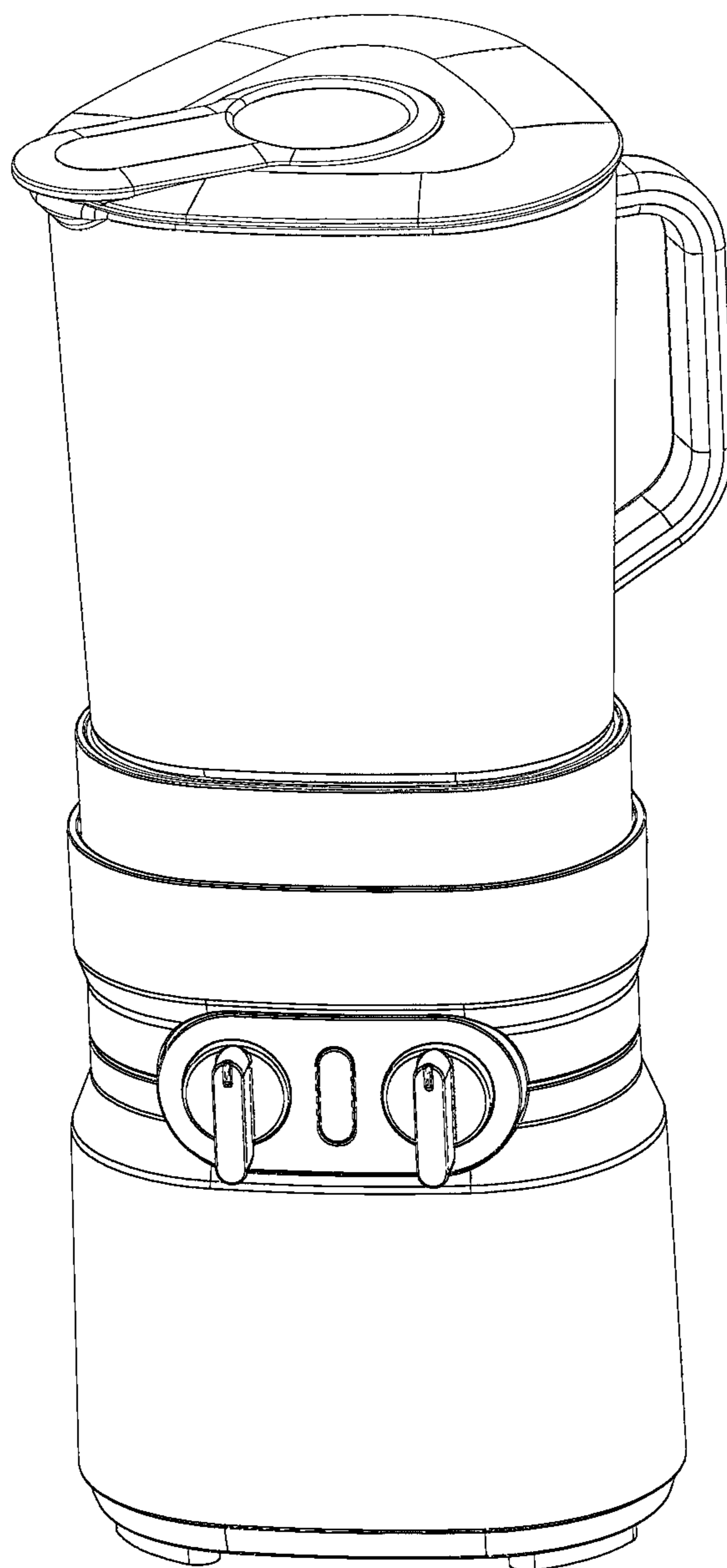


FIG. 7