



US00D725429S

(12) **United States Design Patent**
Veltrop et al.

(10) **Patent No.:** **US D725,429 S**
(45) **Date of Patent:** **** Mar. 31, 2015**

- (54) **FOOD WARMER**
- (71) Applicant: **Prince Castle LLC**, Carol Stream, IL (US)
- (72) Inventors: **Loren Veltrop**, Deerfield, IL (US); **Eric William Larson**, Pecatonica, IL (US)
- (73) Assignee: **Prince Castle LLC**, Carol Stream, IL (US)
- (**) Term: **14 Years**
- (21) Appl. No.: **29/494,683**
- (22) Filed: **Jun. 23, 2014**

6,637,322 B2	10/2003	Veltrop	
6,878,391 B2 *	4/2005	Veltrop	426/418
6,884,451 B2	4/2005	Veltrop	
7,105,779 B2 *	9/2006	Shei	219/413
7,328,654 B2	2/2008	Shei	
7,335,160 B2	2/2008	Satoh	
7,385,160 B2 *	6/2008	Jones	219/386
7,762,636 B2 *	7/2010	Veaser et al.	312/330.1
7,858,906 B2	12/2010	Veltrop et al.	

(Continued)

Primary Examiner — Martie K Holtje

(74) *Attorney, Agent, or Firm* — Marshall, Gerstein & Borun LLP

(57) **CLAIM**

The ornamental design for a food warmer, as shown and described.

Related U.S. Application Data

- (62) Division of application No. 29/450,074, filed on Mar. 15, 2013.
- (51) **LOC (10) Cl.** **07-02**
- (52) **U.S. Cl.**
USPC **D7/323; D7/357**
- (58) **Field of Classification Search**
CPC A47J 39/00; A47J 39/006; A47J 39/02; A47J 37/0623; A47J 27/14; F24C 15/16
USPC D7/323, 352, 354, 355, 357; 99/468, 99/483, 485; 219/385, 386, 392, 394, 399, 219/413; 426/418; 312/330.1; 29/428
See application file for complete search history.

DESCRIPTION

FIG. 1 is a top, front, right perspective view of a food warmer showing a first embodiment of our new design;
 FIG. 2 is a front view thereof;
 FIG. 3 is a rear view thereof;
 FIG. 4 is a right side view thereof;
 FIG. 5 is a left side view thereof;
 FIG. 6 is an exploded top, front, right perspective view thereof;
 FIG. 7 is a top, front, right perspective view of a food warmer showing a second embodiment of our new design;
 FIG. 8 is a front view of FIG. 7;
 FIG. 9 is a rear view of FIG. 7;
 FIG. 10 is a right side view of FIG. 7;
 FIG. 11 is a left side view of FIG. 7; and,
 FIG. 12 is an exploded top, front, right perspective view of FIG. 7.

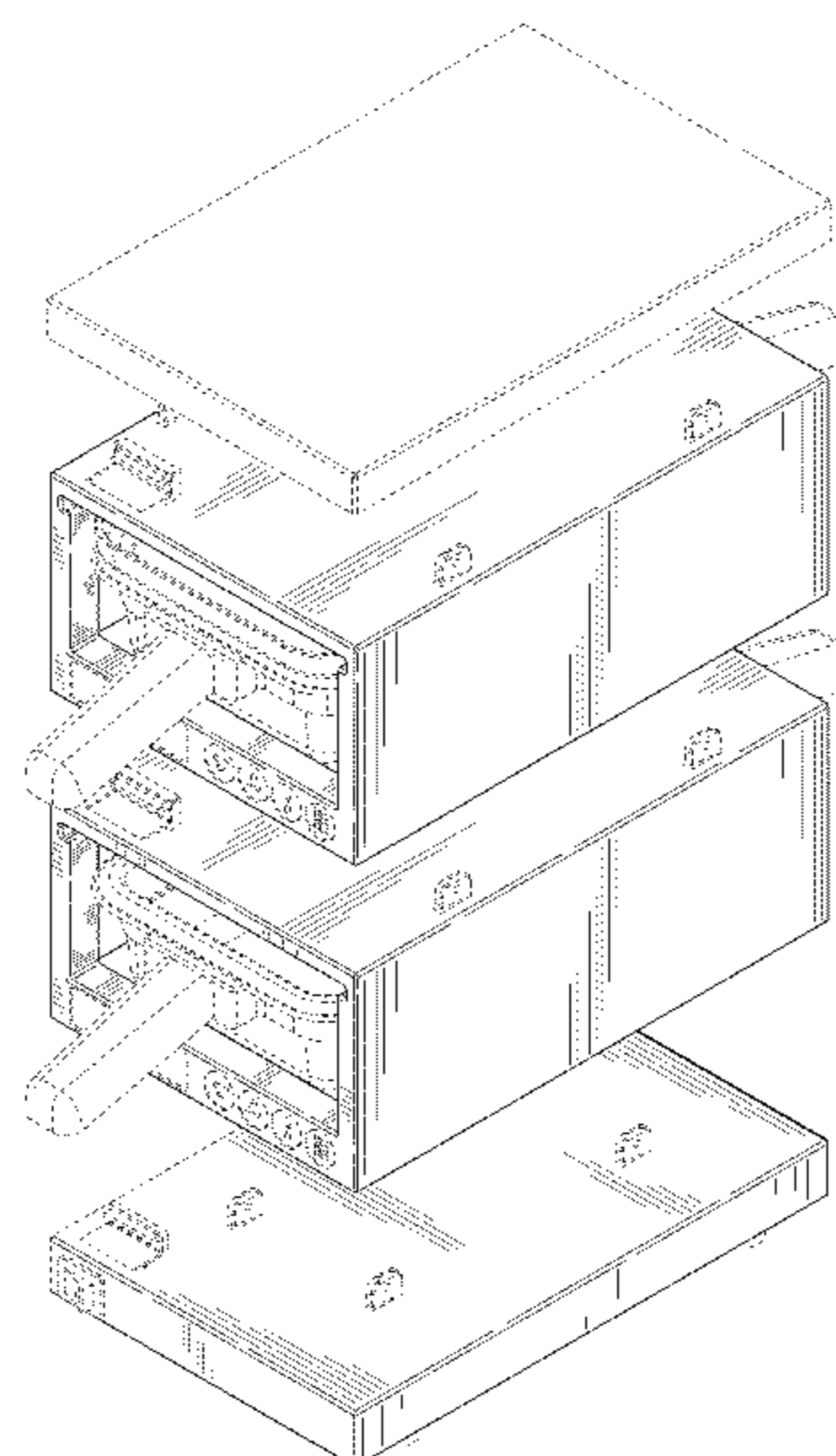
The broken lines immediately adjacent to the shaded area represent unclaimed boundaries of the design. The broken lines showing the remainder of the food warmer are for environmental purposes only and form no part of the claimed design.

(56) **References Cited**

U.S. PATENT DOCUMENTS

D63,818 S	1/1924	Curtiss
D243,362 S	2/1977	Shumrak et al.
D341,054 S	11/1993	Maputol
D369,269 S	4/1996	Labadia Del Fresno
5,783,803 A	7/1998	Robards, Jr.
5,900,173 A	5/1999	Robards, Jr.
D434,265 S	11/2000	Tatlow
6,412,403 B1	7/2002	Veltrop

1 Claim, 12 Drawing Sheets



(56)

References Cited

U.S. PATENT DOCUMENTS

8,091,472 B2 *	1/2012	Maciejewski et al.	99/483	2004/0020915 A1 *	2/2004	Shei	219/385
8,096,231 B2	1/2012	Veltrop et al.		2008/0023462 A1	1/2008	Shei et al.	
2001/0007322 A1 *	7/2001	Shei et al.	219/399	2008/0302778 A1	12/2008	Veltrop et al.	
2003/0118706 A1 *	6/2003	Veltrop	426/418	2009/0266244 A1	10/2009	Maciejewski et al.	
				2012/0079699 A1 *	4/2012	Veltrop et al.	29/428

* cited by examiner

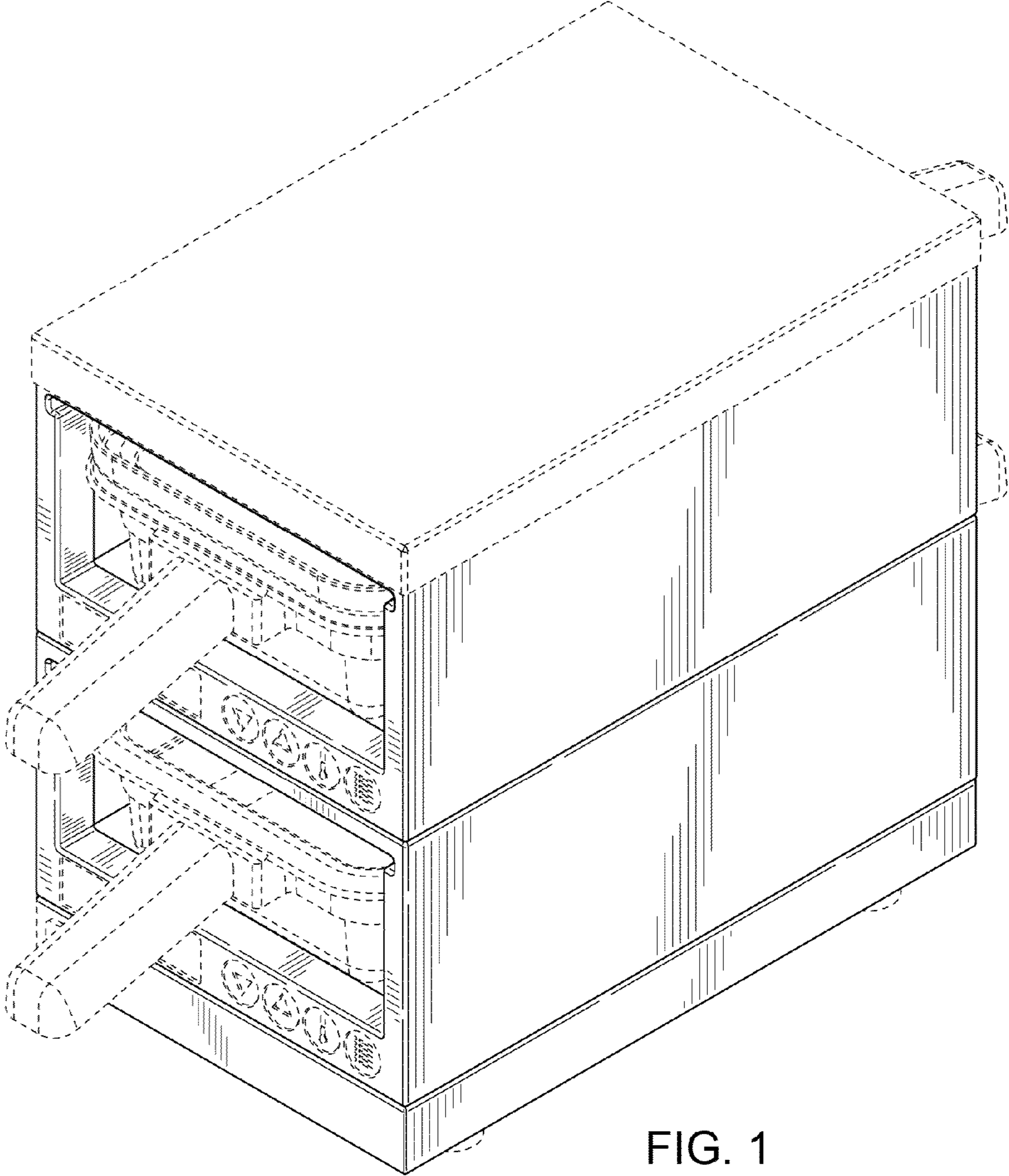


FIG. 1

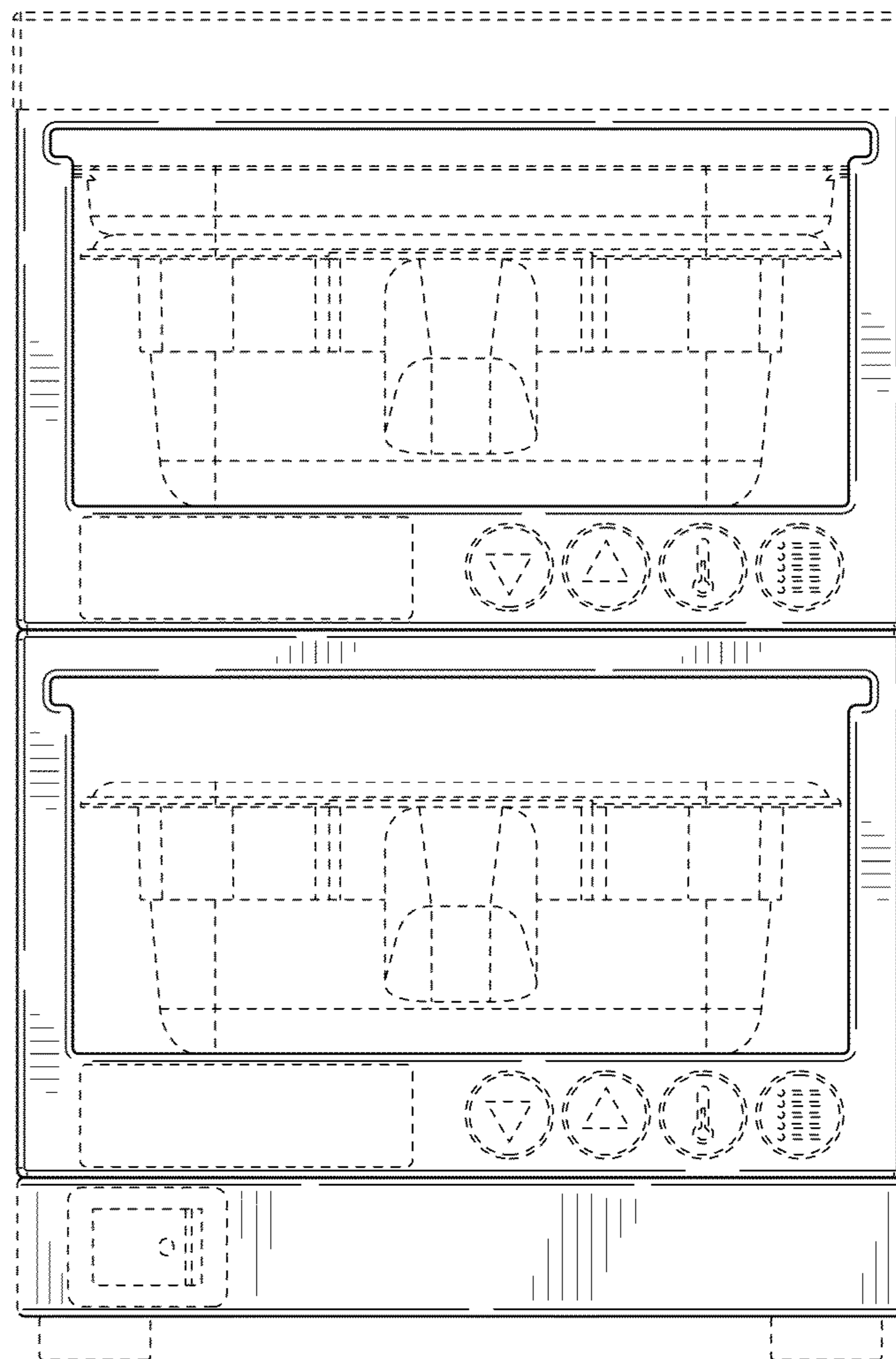


FIG. 2

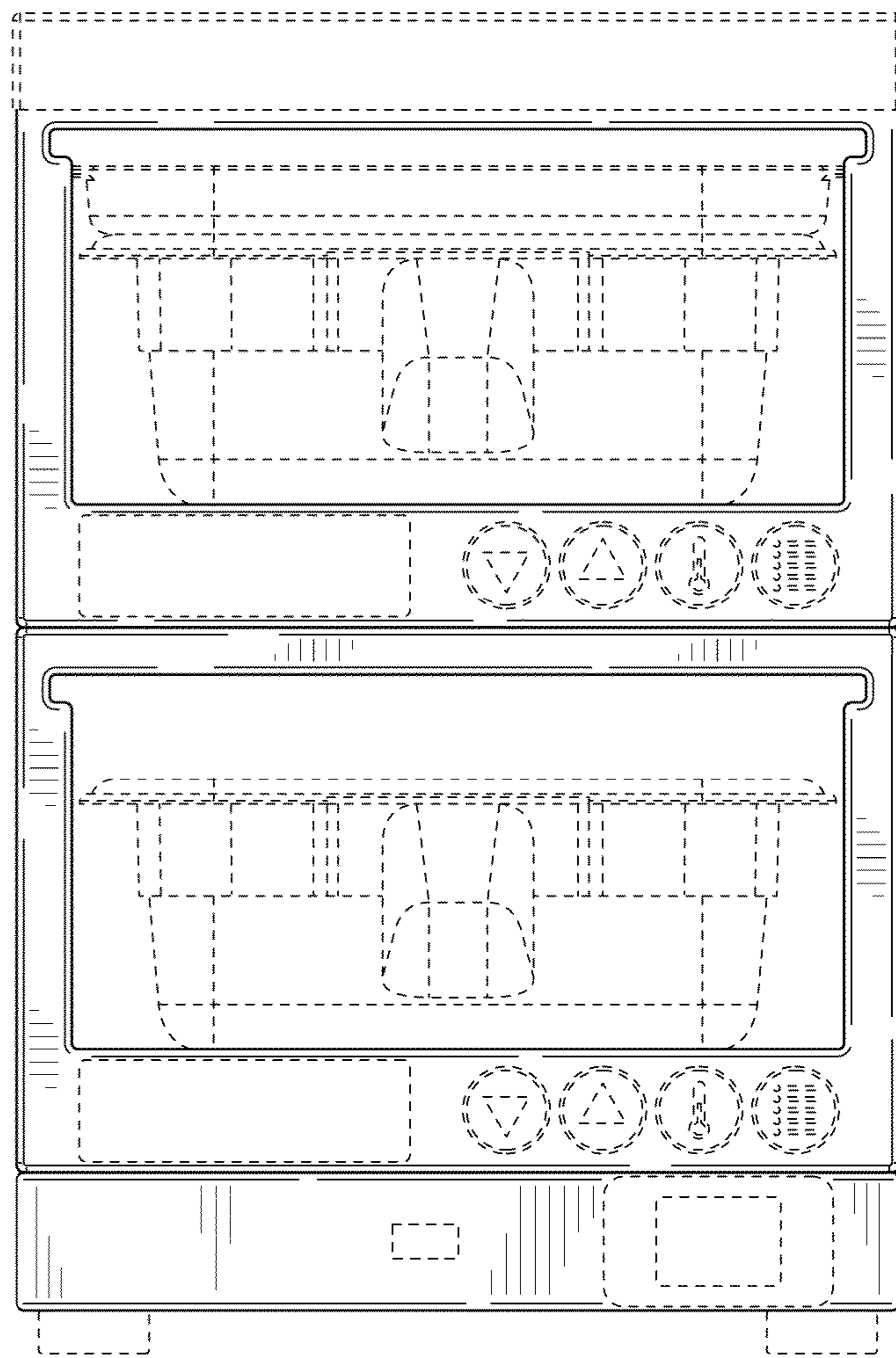


FIG. 3

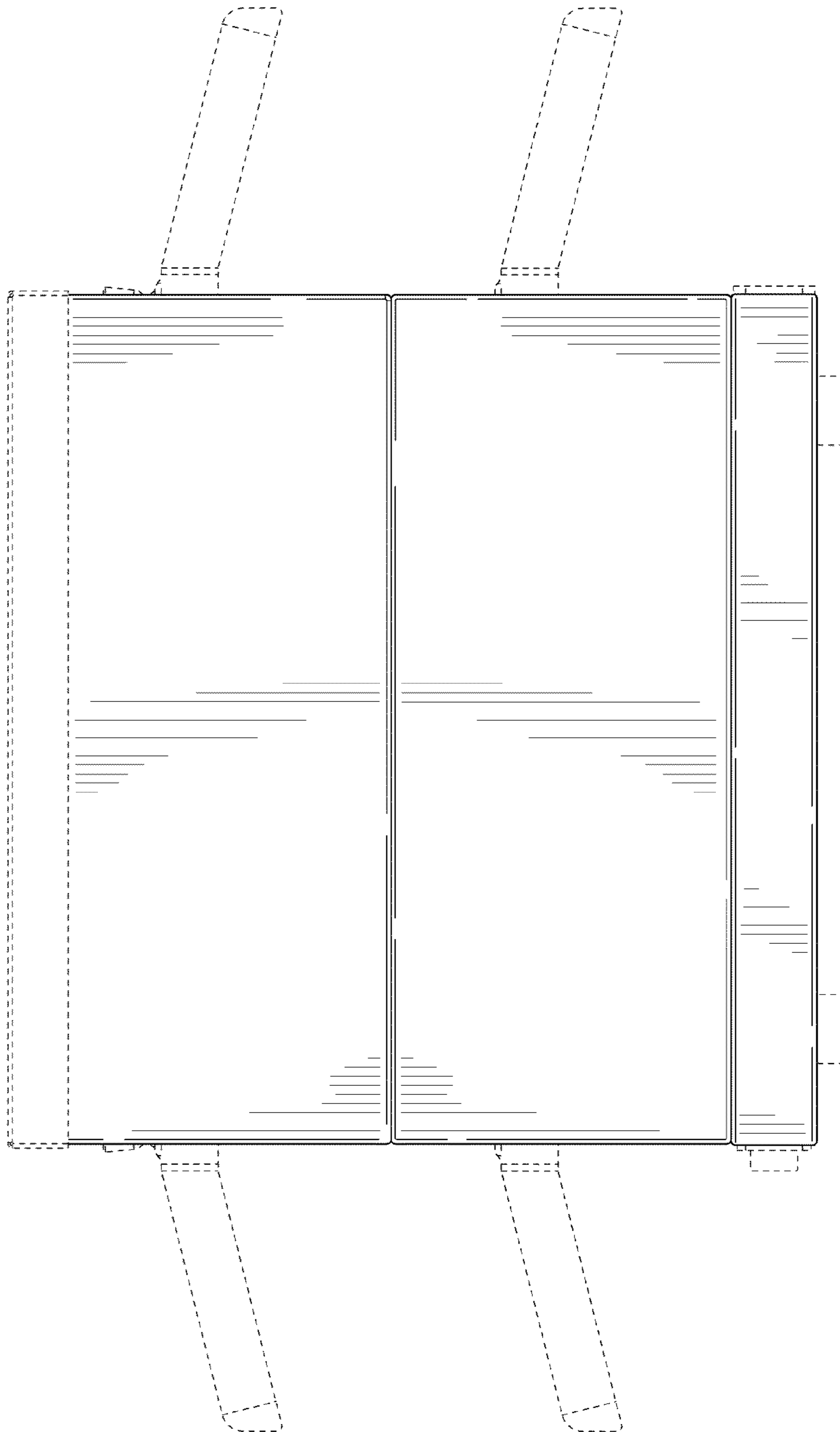


FIG. 4

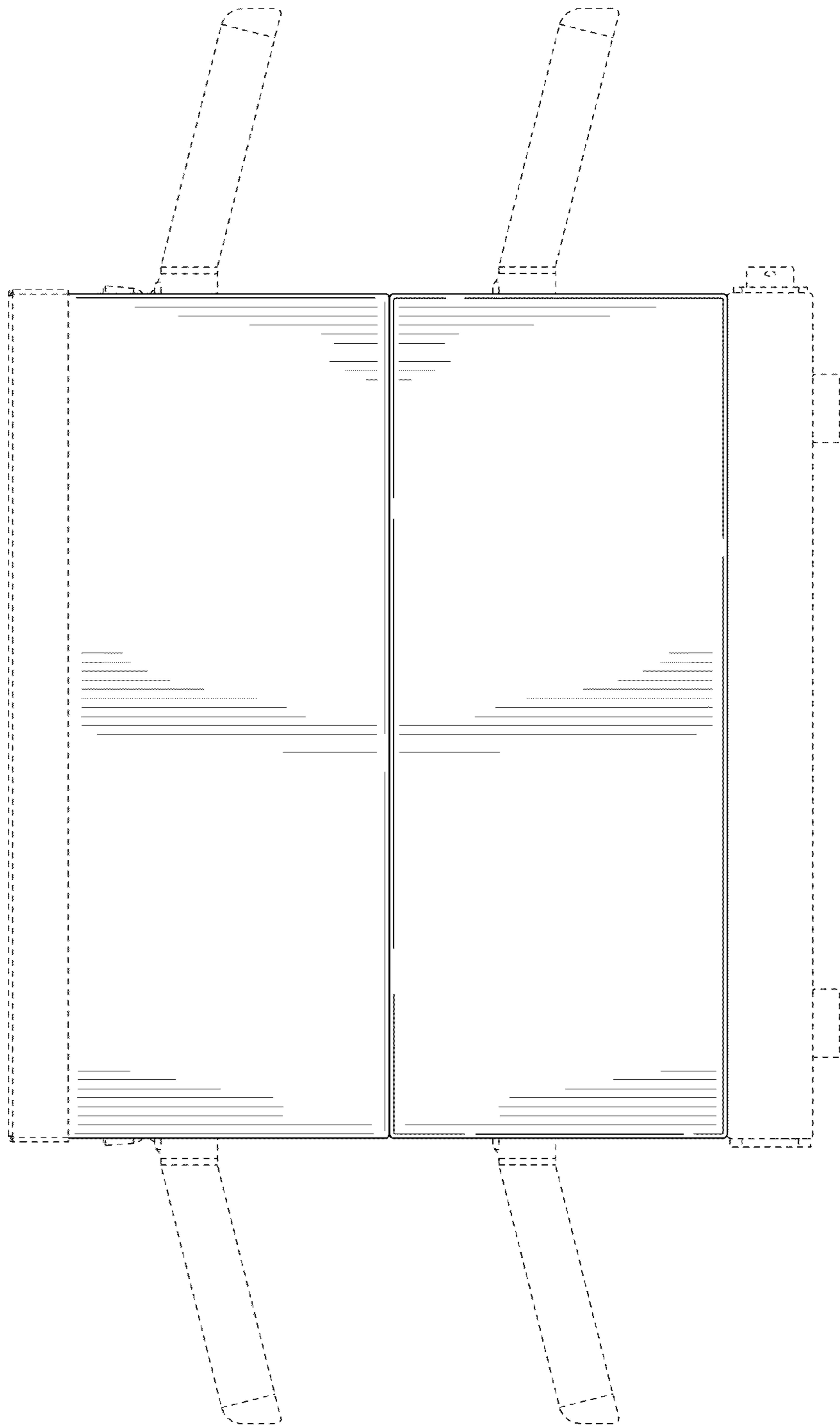


FIG. 5

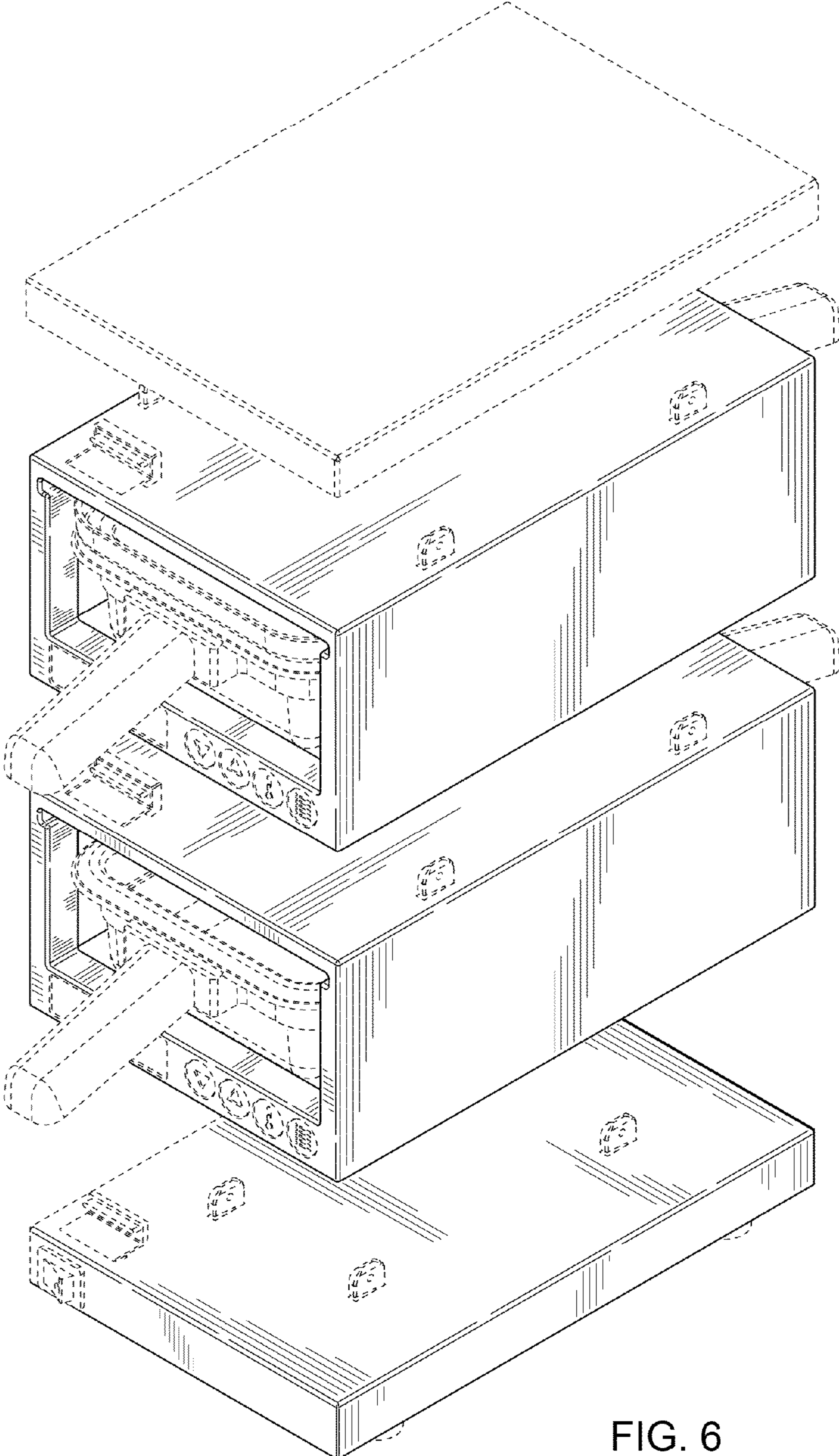


FIG. 6

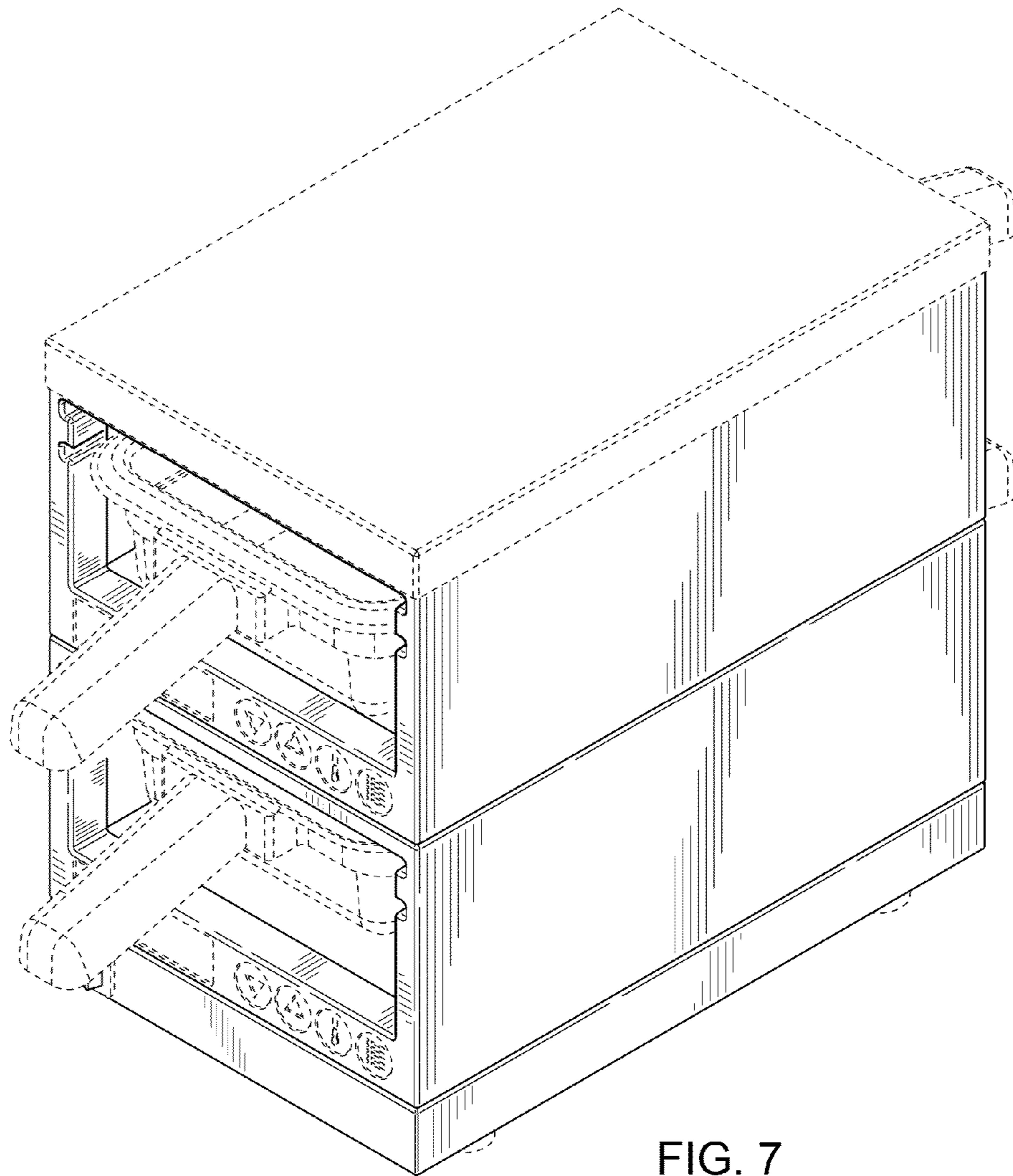


FIG. 7

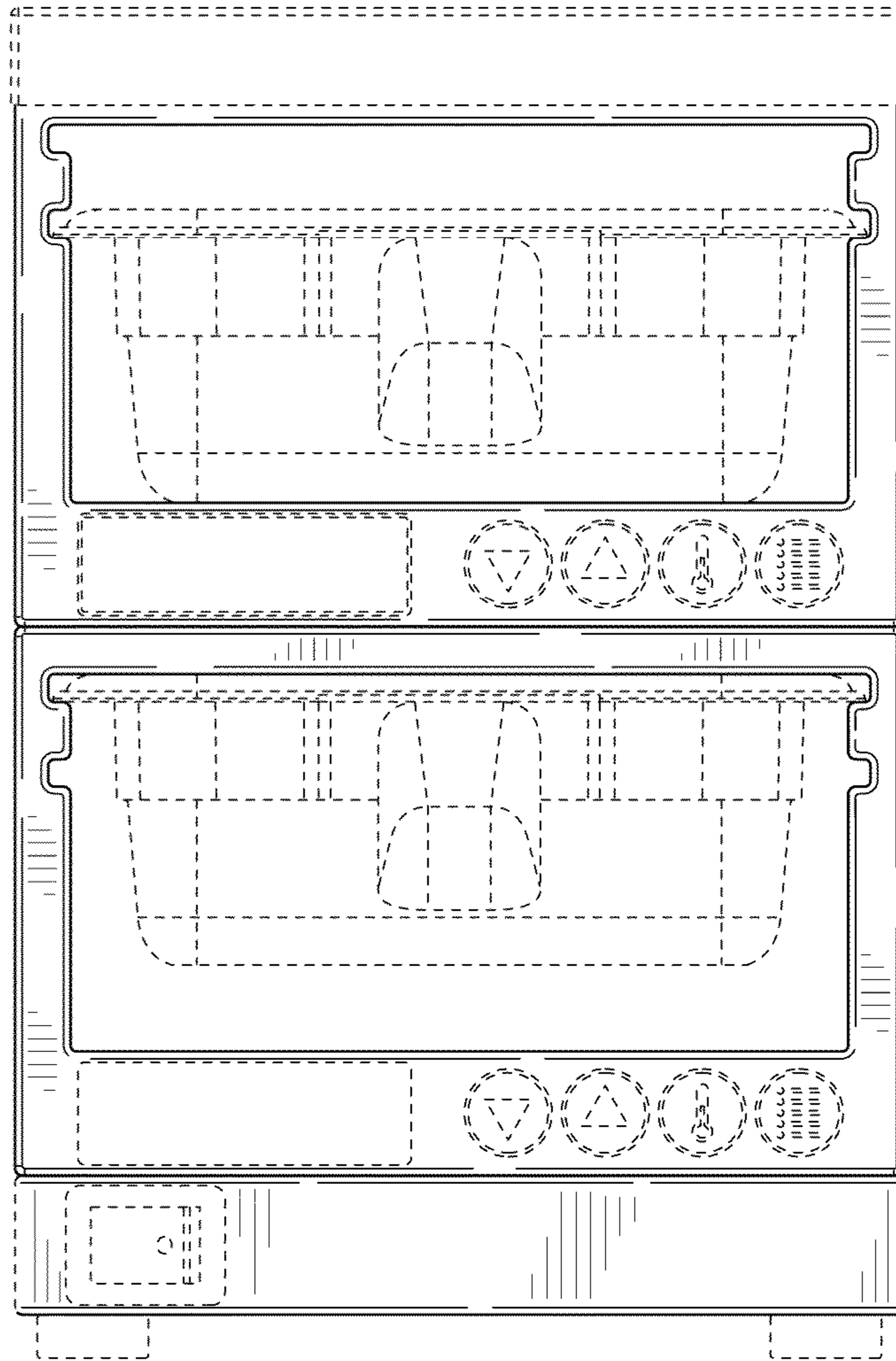


FIG. 8

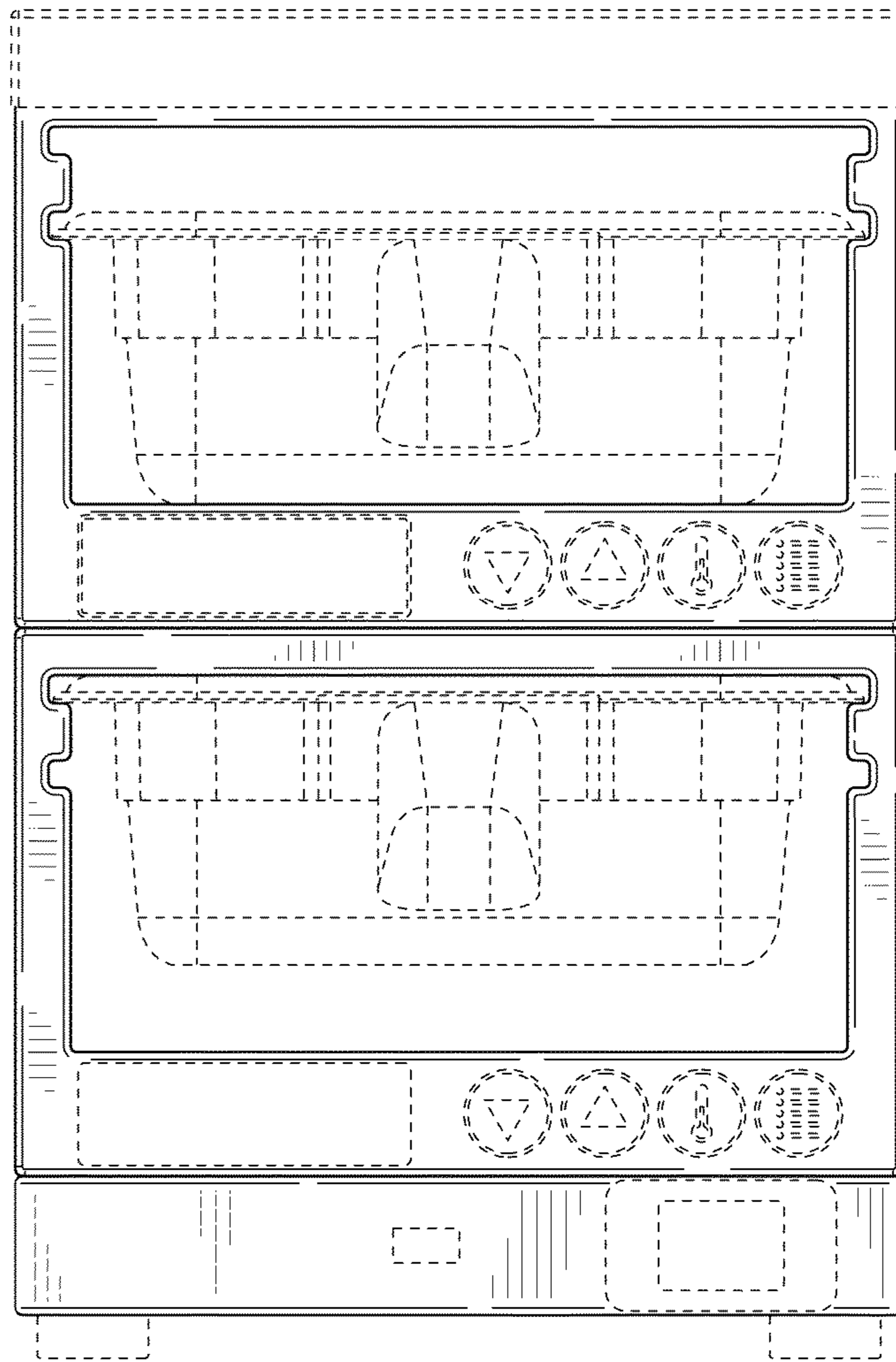


FIG. 9

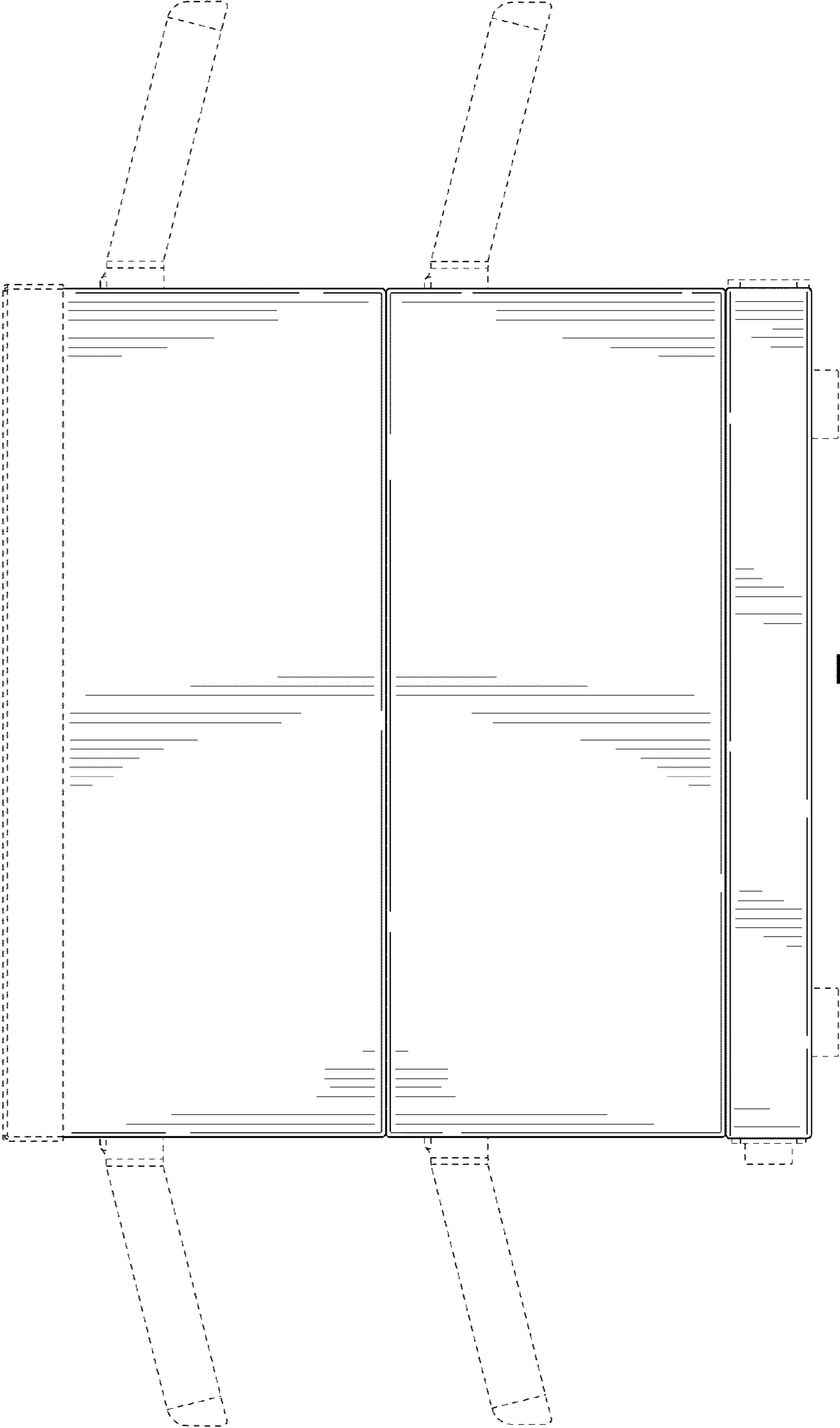


FIG. 10

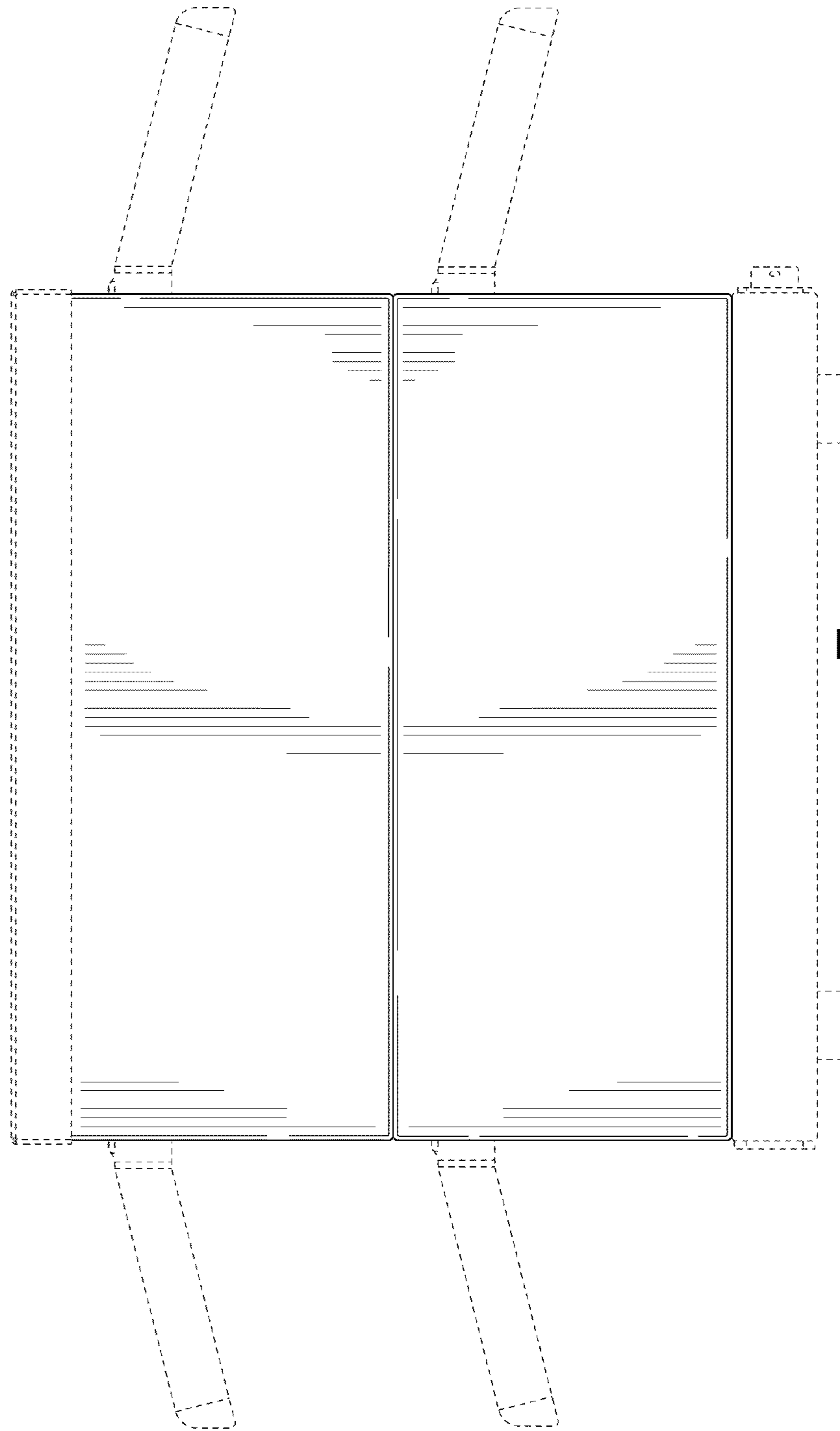


FIG. 11

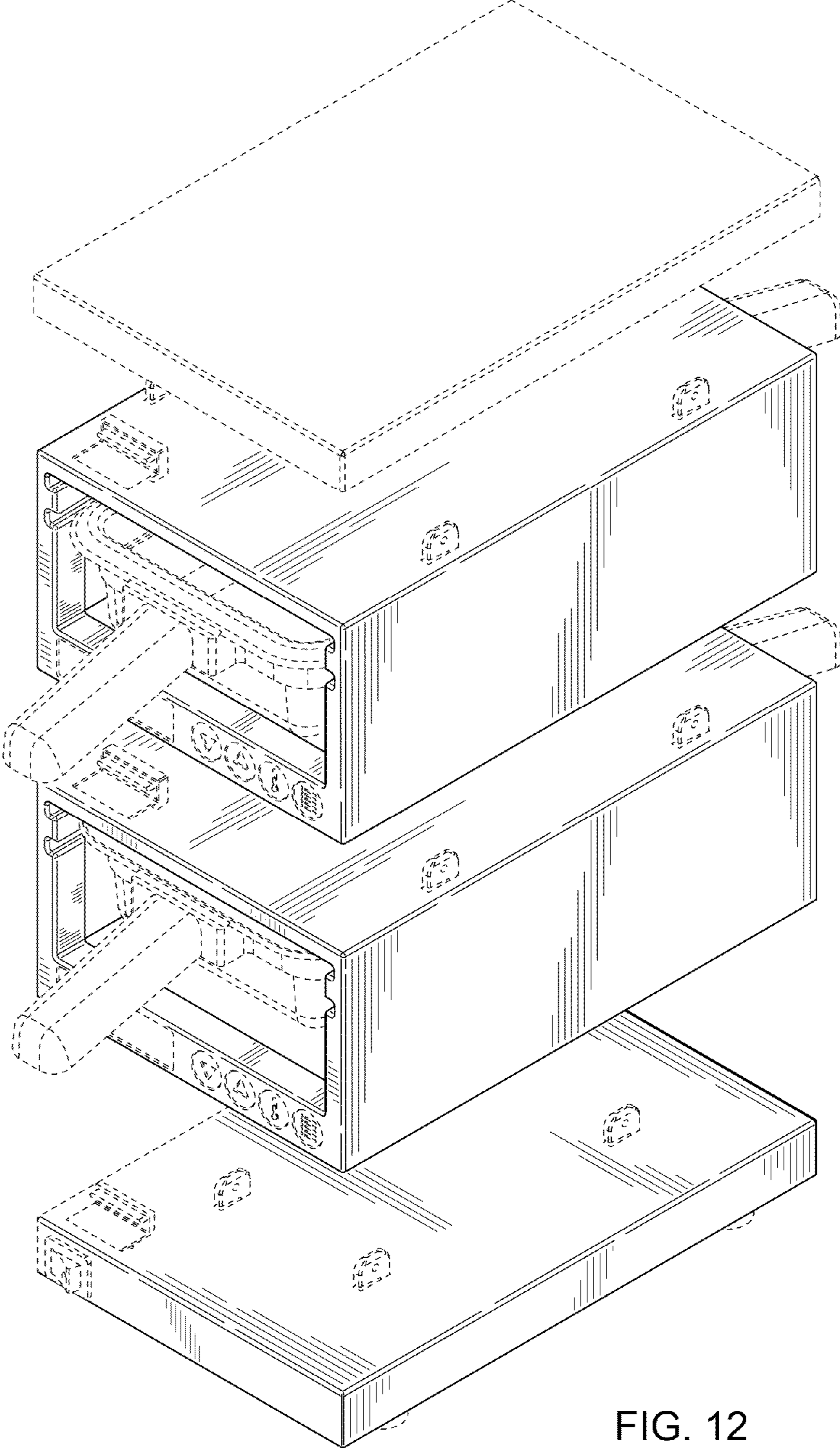


FIG. 12