



US00D725424S

(12) **United States Design Patent**
Cohen

(10) **Patent No.:** **US D725,424 S**
(45) **Date of Patent:** **** Mar. 31, 2015**

(54) **CANOPY FOR A FOLDING CHAIR**

(71) Applicant: **Warren Cohen**, Philadelphia, PA (US)

(72) Inventor: **Warren Cohen**, Philadelphia, PA (US)

(73) Assignee: **Rio Brands, LLC**, Philadelphia, PA
(US)

(**) Term: **14 Years**

(21) Appl. No.: **29/462,109**

(22) Filed: **Jul. 31, 2013**

(51) **LOC (10) Cl.** **06-06**

(52) **U.S. Cl.**
USPC **D6/716.8**

(58) **Field of Classification Search**

CPC A47C 7/66; A47C 1/14; B60N 2/6009
USPC D6/334-336, 361, 367, 368, 374, 716,
D6/716.4, 716.8; 297/184.1, 184.11,
297/184.15, 184.17

See application file for complete search history.

(56) **References Cited**

U.S. PATENT DOCUMENTS

3,241,160	A *	3/1966	Escobar	297/184.17
4,915,120	A *	4/1990	Ziolkowski	297/184.17
5,515,564	A *	5/1996	Lyons	A47C 7/66
D371,262	S *	7/1996	Forbes, Sr.	D6/716.8
D383,337	S *	9/1997	Lerner	D6/716.8
7,963,596	B2 *	6/2011	Efthimiou	297/184.11

* cited by examiner

Primary Examiner — Mimosa De

(74) *Attorney, Agent, or Firm* — LaMorte & Associates P.C.

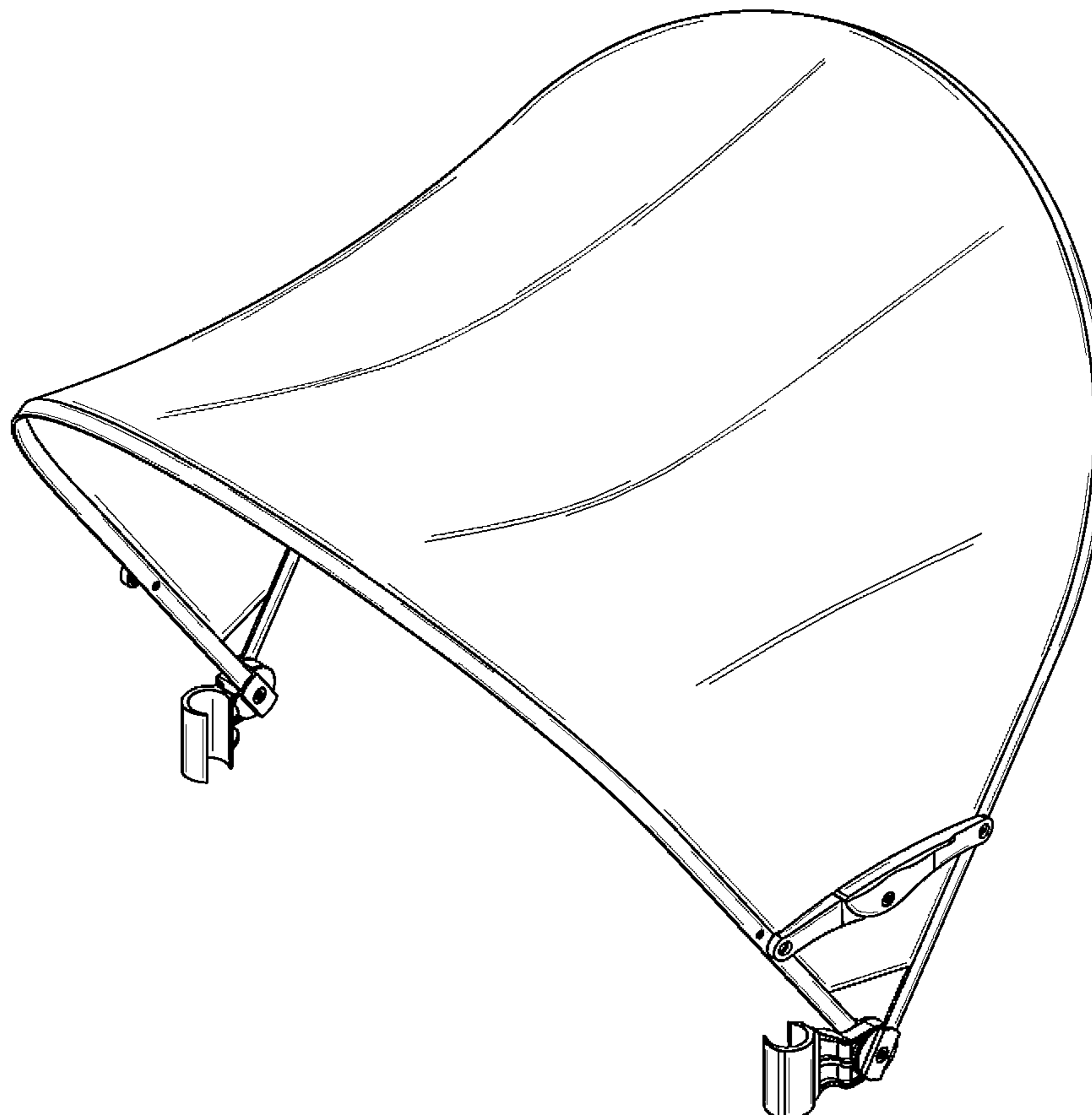
(57) **CLAIM**

The ornamental design for a canopy for a folding chair, as shown and described.

DESCRIPTION

FIG. 1 is a top perspective view of a canopy for a folding chair;
FIG. 2 is a bottom perspective view thereof;
FIG. 3 is a left side view thereof;
FIG. 4 is a right side view thereof;
FIG. 5 is a top view thereof;
FIG. 6 is a bottom view thereof;
FIG. 7 is a rear view thereof; and,
FIG. 8 is a front view thereof.

1 Claim, 8 Drawing Sheets



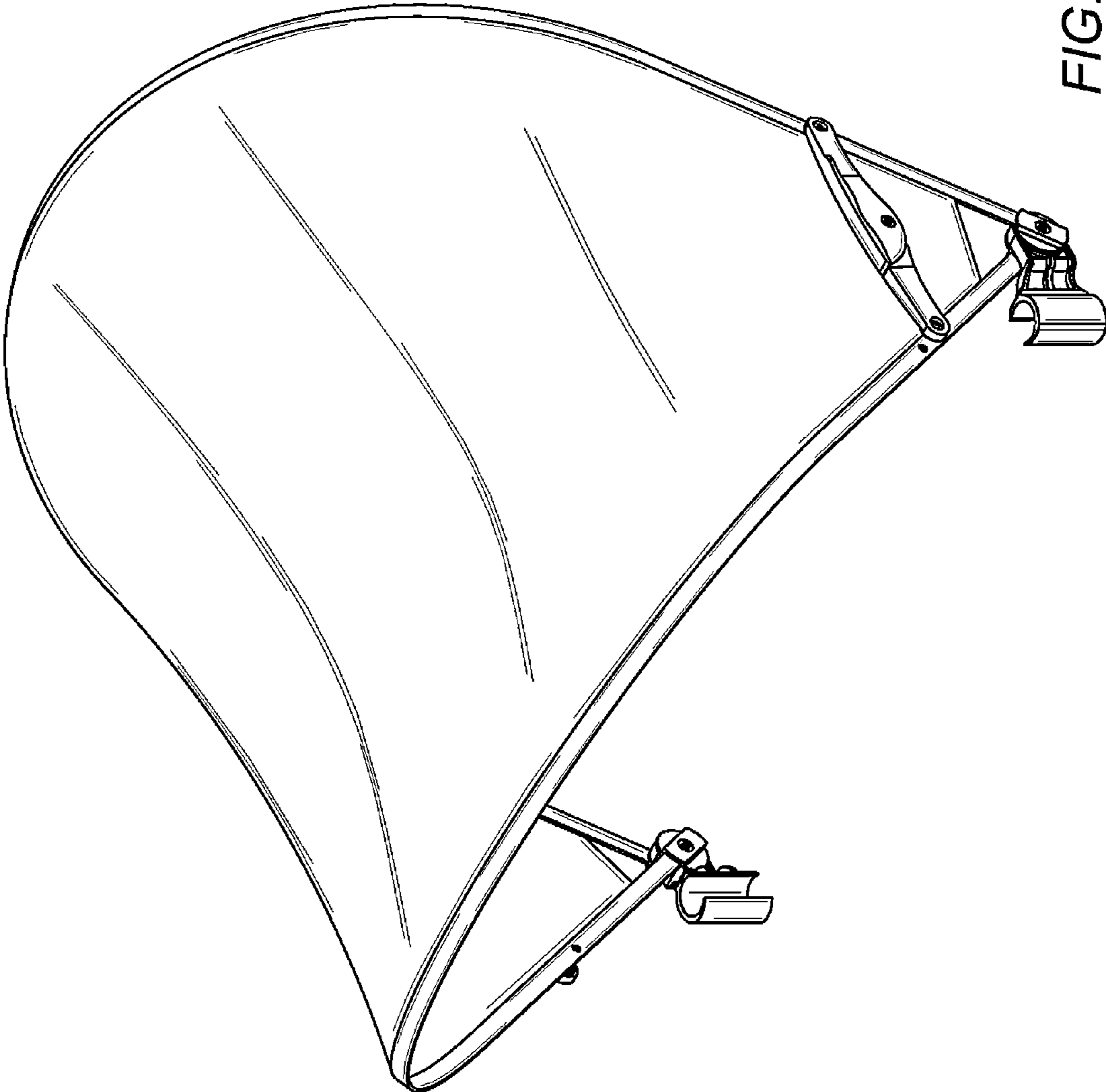


FIG. 1

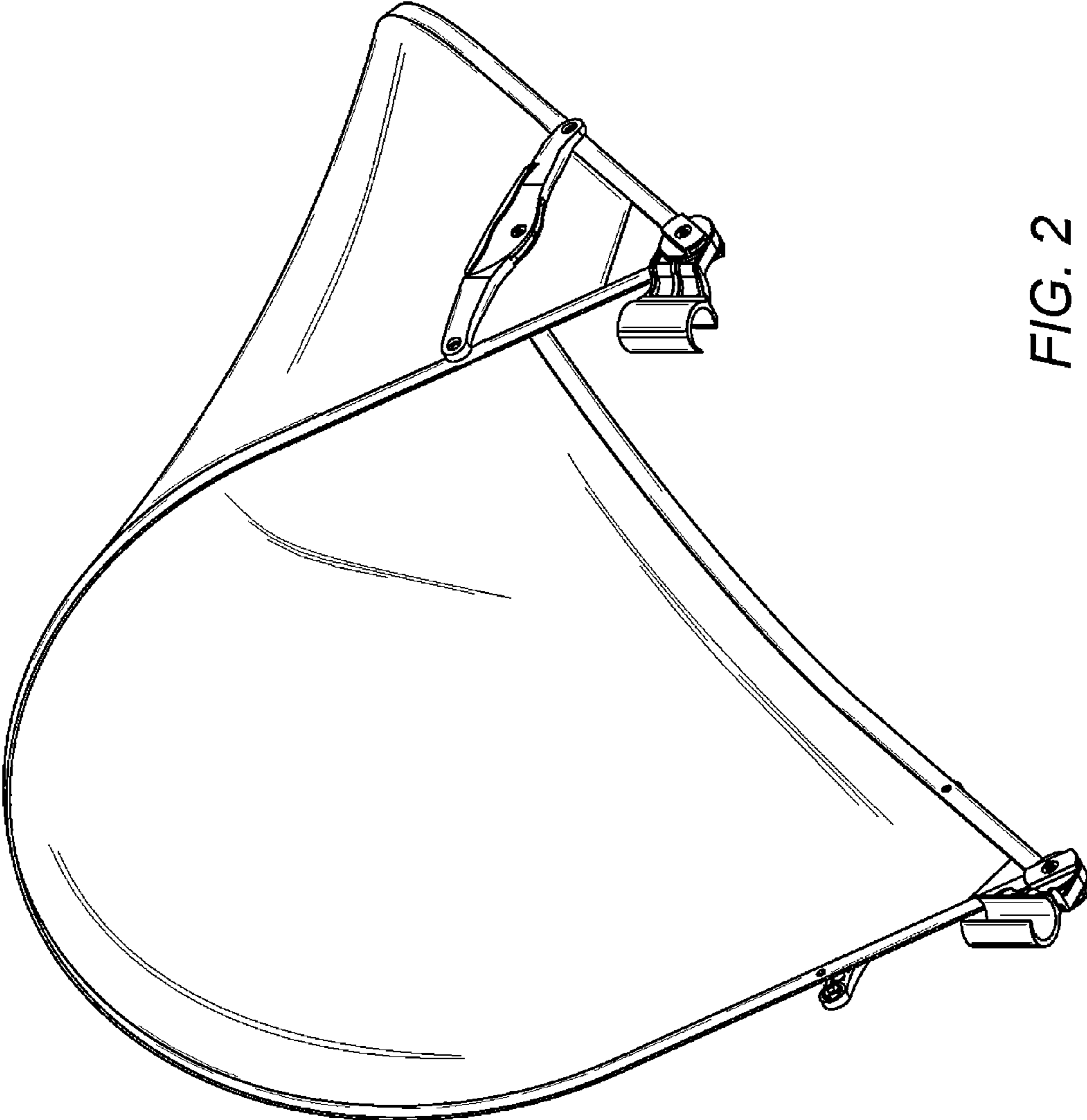


FIG. 2

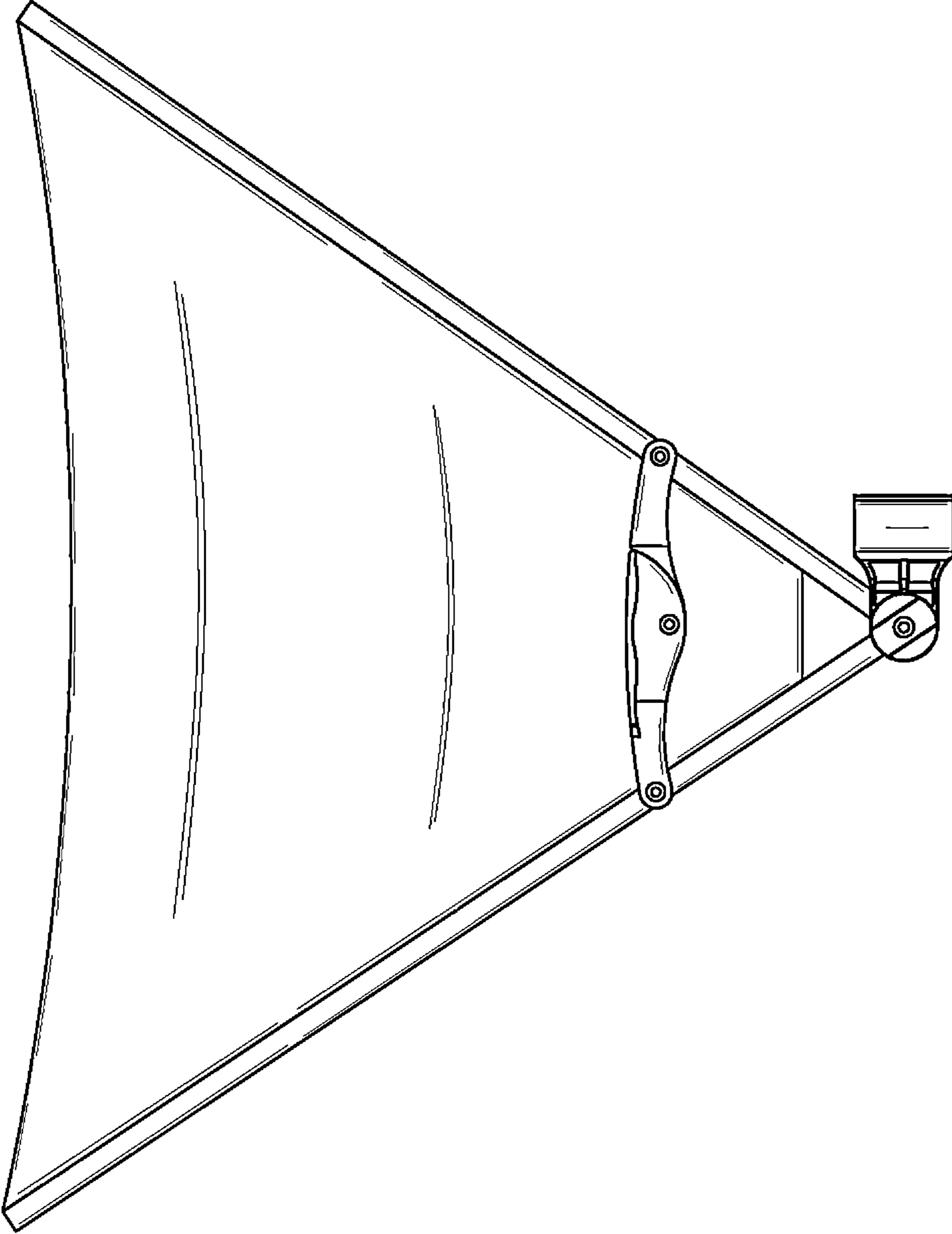


FIG. 3

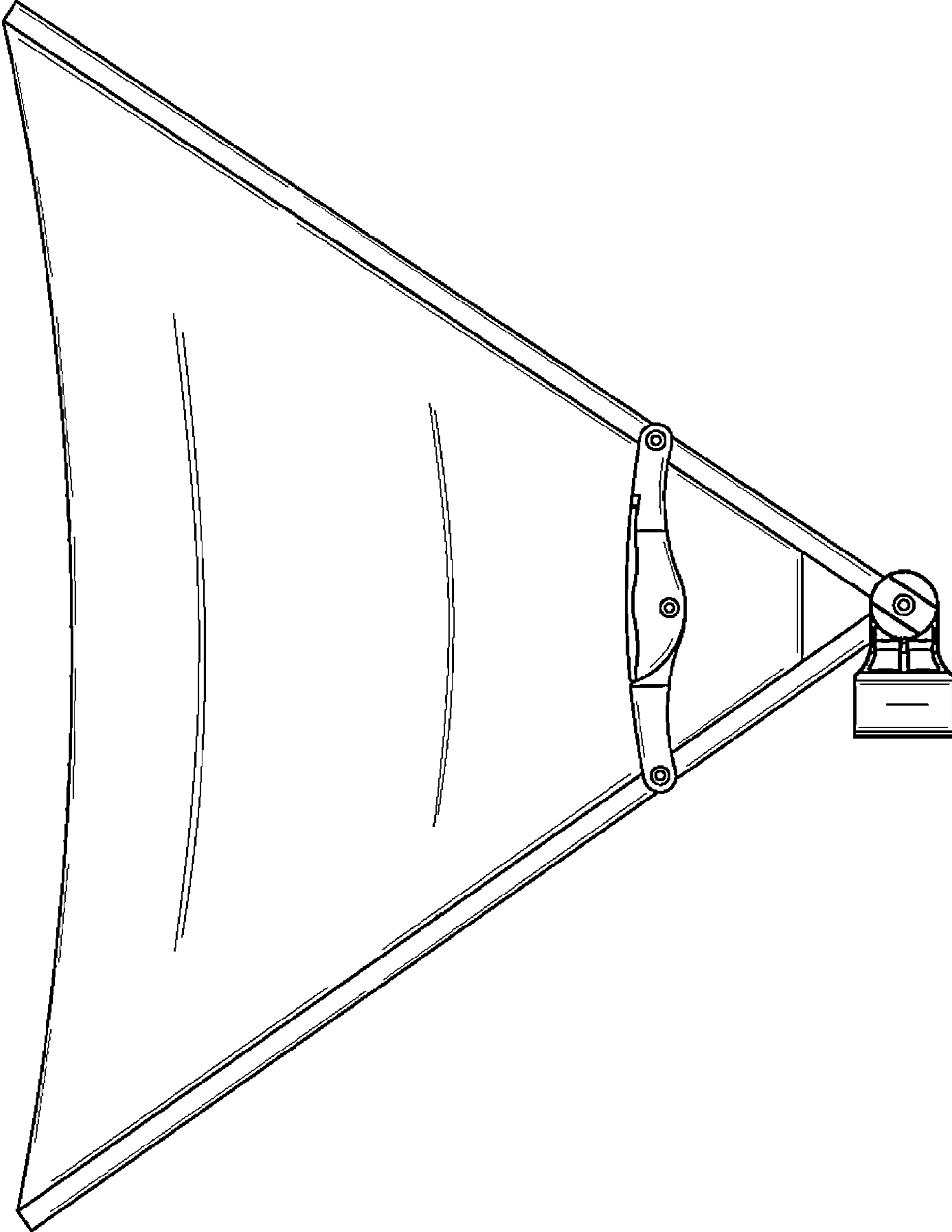


FIG. 4

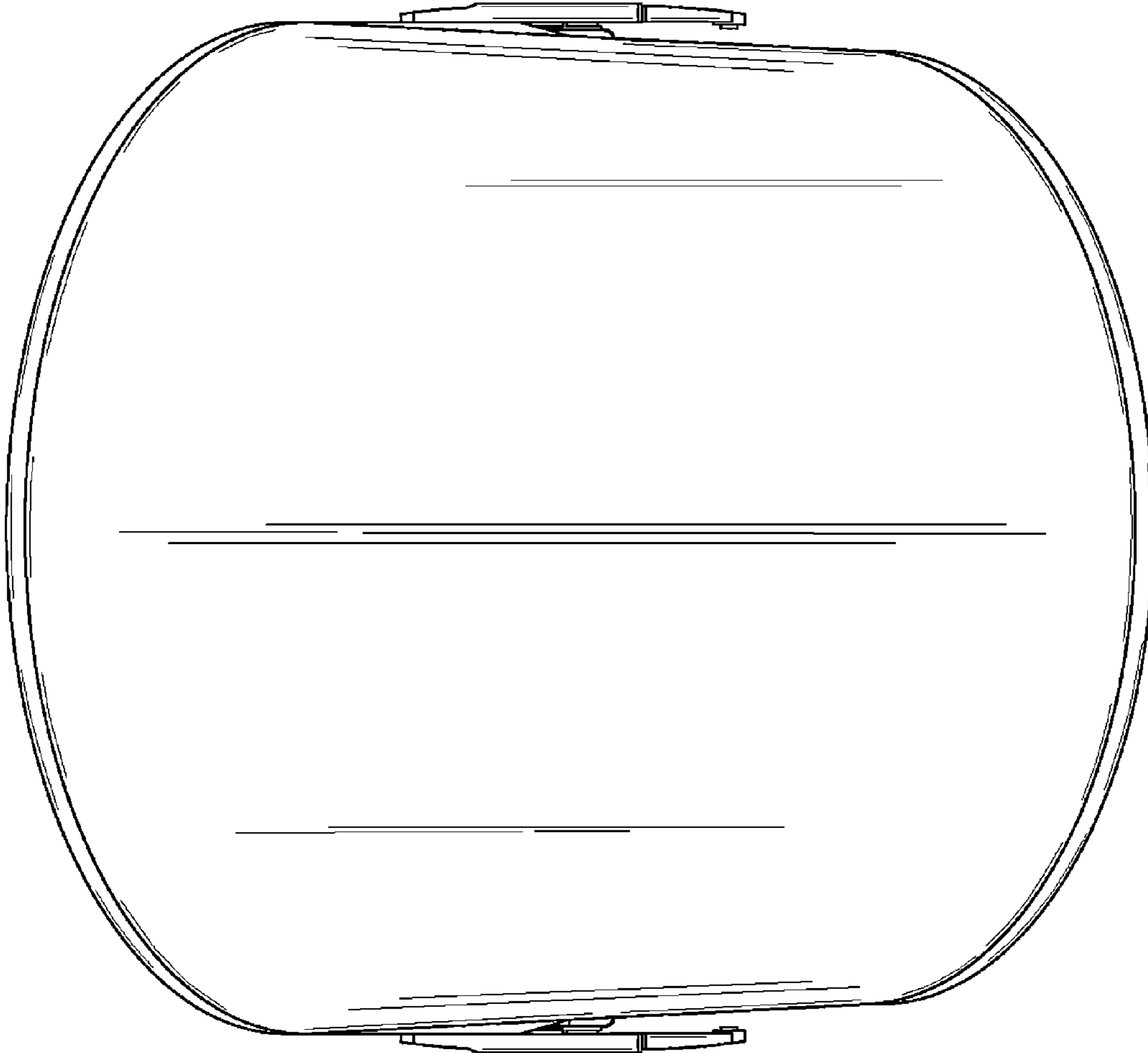


FIG. 5

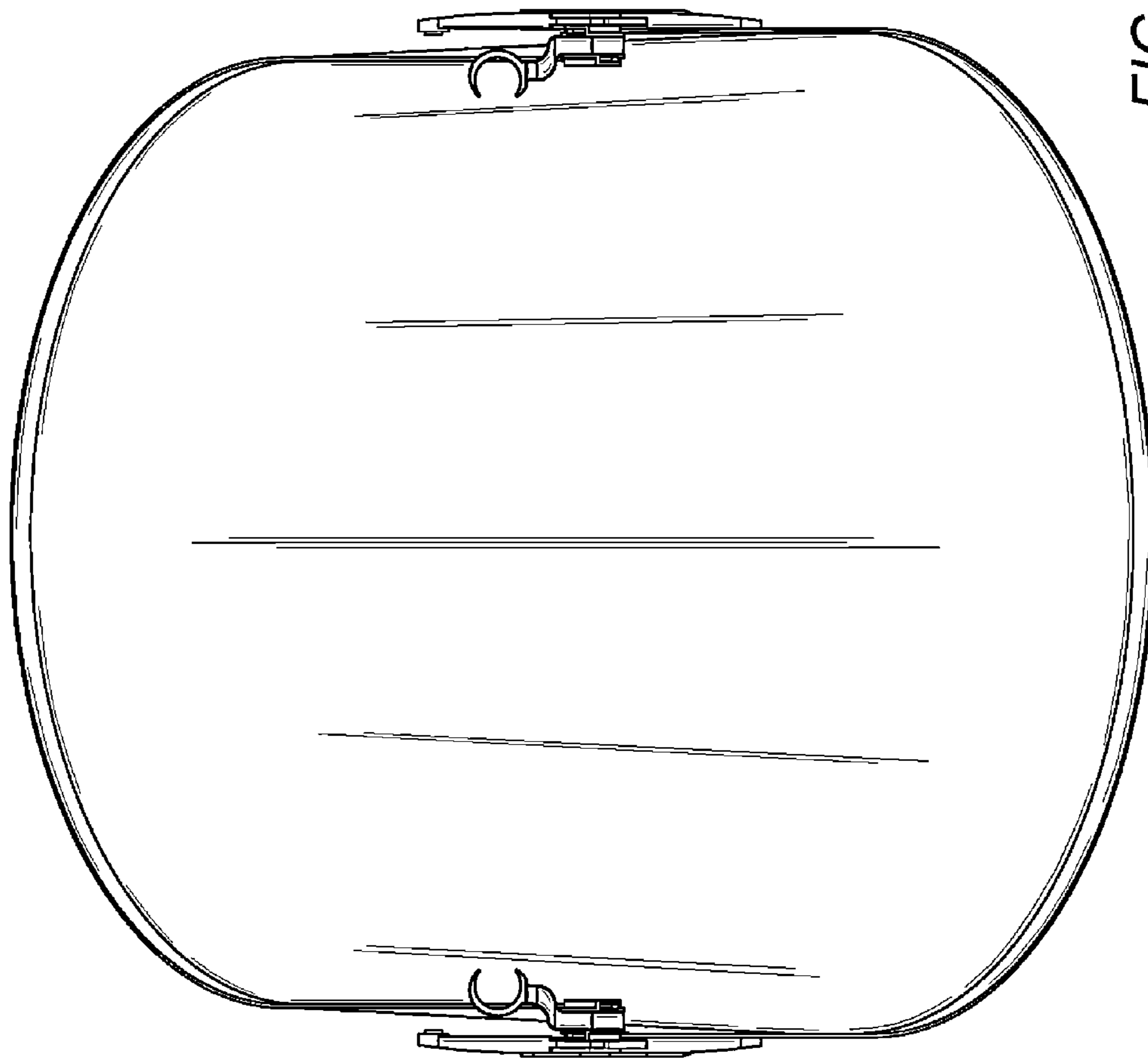


FIG. 6

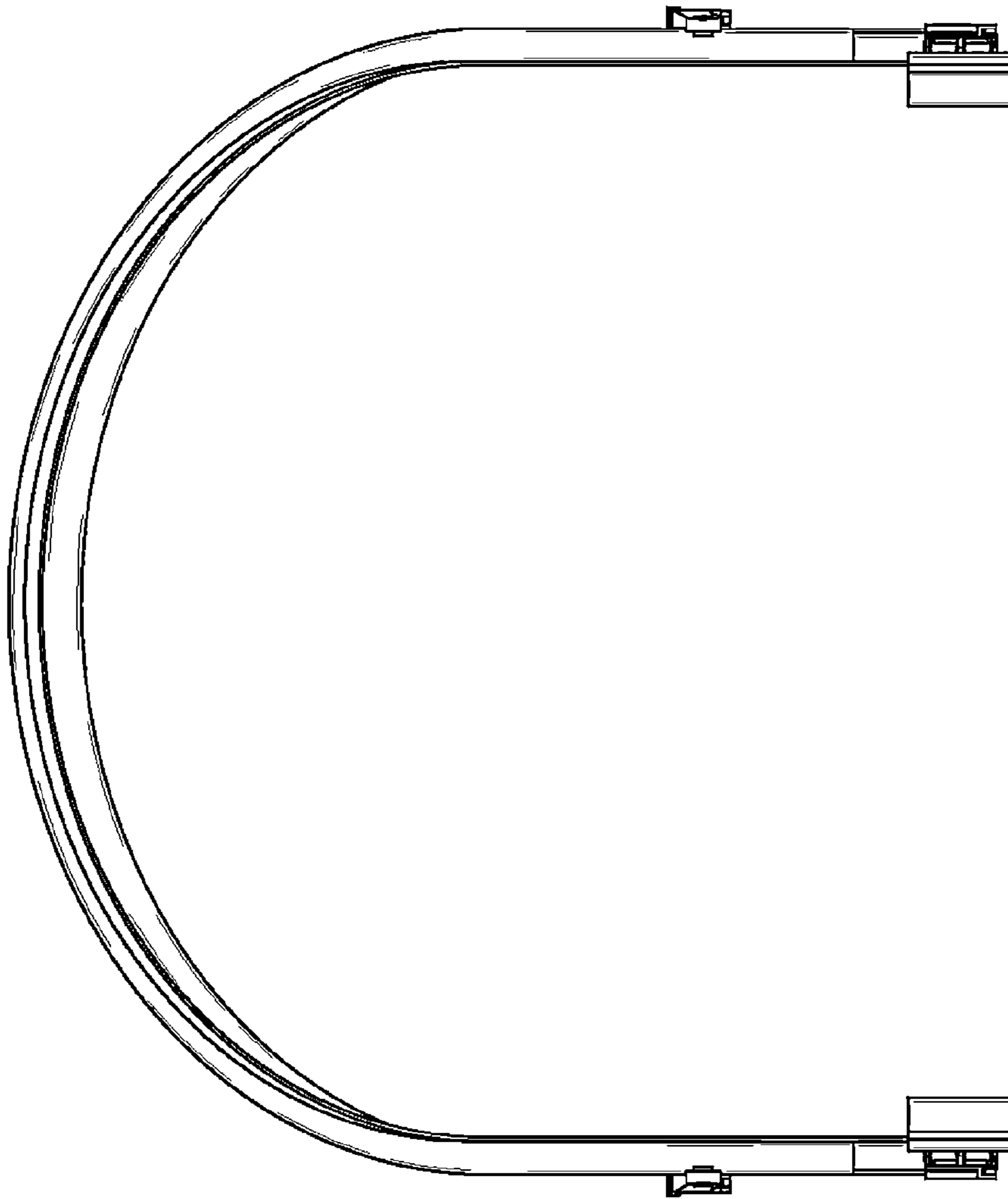


FIG. 7

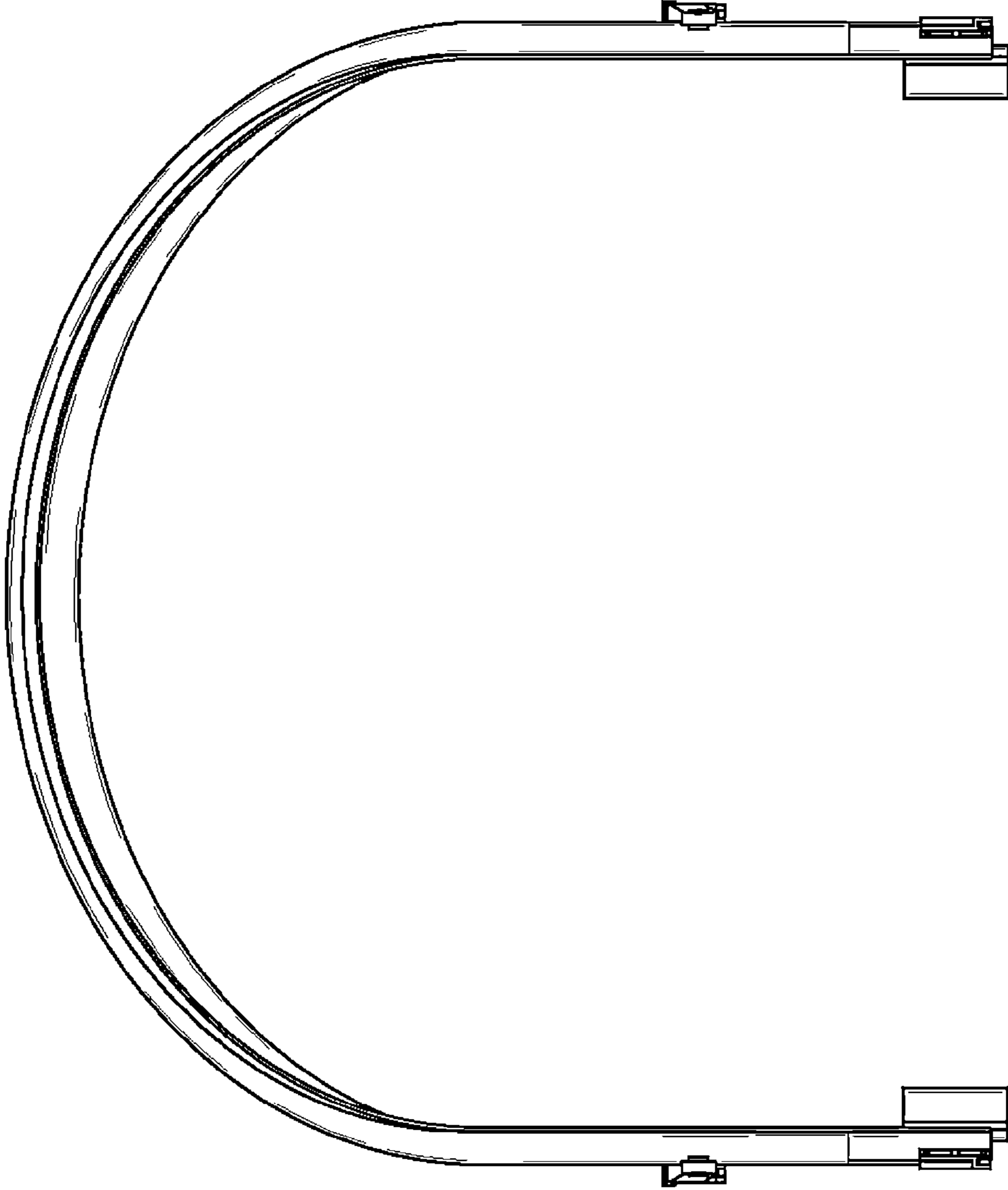


FIG. 8