



US00D725423S

(12) **United States Design Patent**
Fugett

(10) **Patent No.:** **US D725,423 S**
(45) **Date of Patent:** **** Mar. 31, 2015**

(54) **COLLAPSIBLE MOUNTED BRACKET**

(76) Inventor: **Jack Fugett**, Mokena, IL (US)

(**) Term: **14 Years**

(21) Appl. No.: **29/430,084**

(22) Filed: **Aug. 21, 2012**

(51) **LOC (10) Cl.** **06-07**

(52) **U.S. Cl.**
USPC **D6/702**

(58) **Field of Classification Search**
USPC D6/415, 411, 324, 323, 327; 211/1,
211/13.1, 85.3, 86.01, 205, 48, 123;
D8/372; D26/140; 248/235, 308
See application file for complete search history.

(56) **References Cited**

U.S. PATENT DOCUMENTS

342,954 A	6/1886	Ertell	
475,243 A	5/1892	Langdon	
511,625 A *	12/1893	Burk et al.	248/235
1,060,186 A	4/1913	Hjorth	
1,060,193 A	4/1913	Laro	
1,068,050 A *	7/1913	Gardner et al.	211/48
1,220,758 A	3/1917	Lamphiear	
1,442,090 A	1/1923	Page et al.	
1,666,410 A *	4/1928	Dalton	248/308
1,706,887 A *	3/1929	Knostman	211/85.3
2,315,566 A	4/1943	Watral et al.	
D167,411 S	8/1952	Lester	
2,655,268 A	10/1953	Whaley	
D181,237 S *	10/1957	Spielman	D6/324
2,895,618 A *	7/1959	Nathan	211/123
2,916,158 A	12/1959	Vosbikian et al.	
3,233,745 A	2/1966	Hershberger	
3,286,850 A	11/1966	Ruhnke	
D208,028 S *	7/1967	Spielman	D6/324
3,425,655 A	2/1969	Cogdill	
3,685,662 A	8/1972	Varon et al.	
D236,053 S *	7/1975	Friedberg	D6/324
3,941,250 A	3/1976	Ott	

3,990,582 A	11/1976	Schindel	
D247,085 S	1/1978	Stoddard	
4,146,204 A	3/1979	Thalenfeld	
4,171,748 A	10/1979	Fabian	
D259,228 S	5/1981	Fabian	
4,361,241 A	11/1982	Stoddard	
D271,546 S	11/1983	Smith	
4,448,380 A	5/1984	Huber-Krattiger	
4,465,198 A	8/1984	Martin	
D276,195 S	11/1984	Smith	
4,548,328 A *	10/1985	Brauning	211/205
4,828,122 A	5/1989	Day	
D314,867 S	2/1991	Goodman et al.	
D324,784 S	3/1992	Rose	
D338,612 S *	8/1993	Hampshire	D8/372
D359,379 S *	6/1995	Haviland	D26/140

(Continued)

Primary Examiner — Susan E Krakower

(74) *Attorney, Agent, or Firm* — Erin J. Fox; Barnes & Thornburg LLP

(57) **CLAIM**

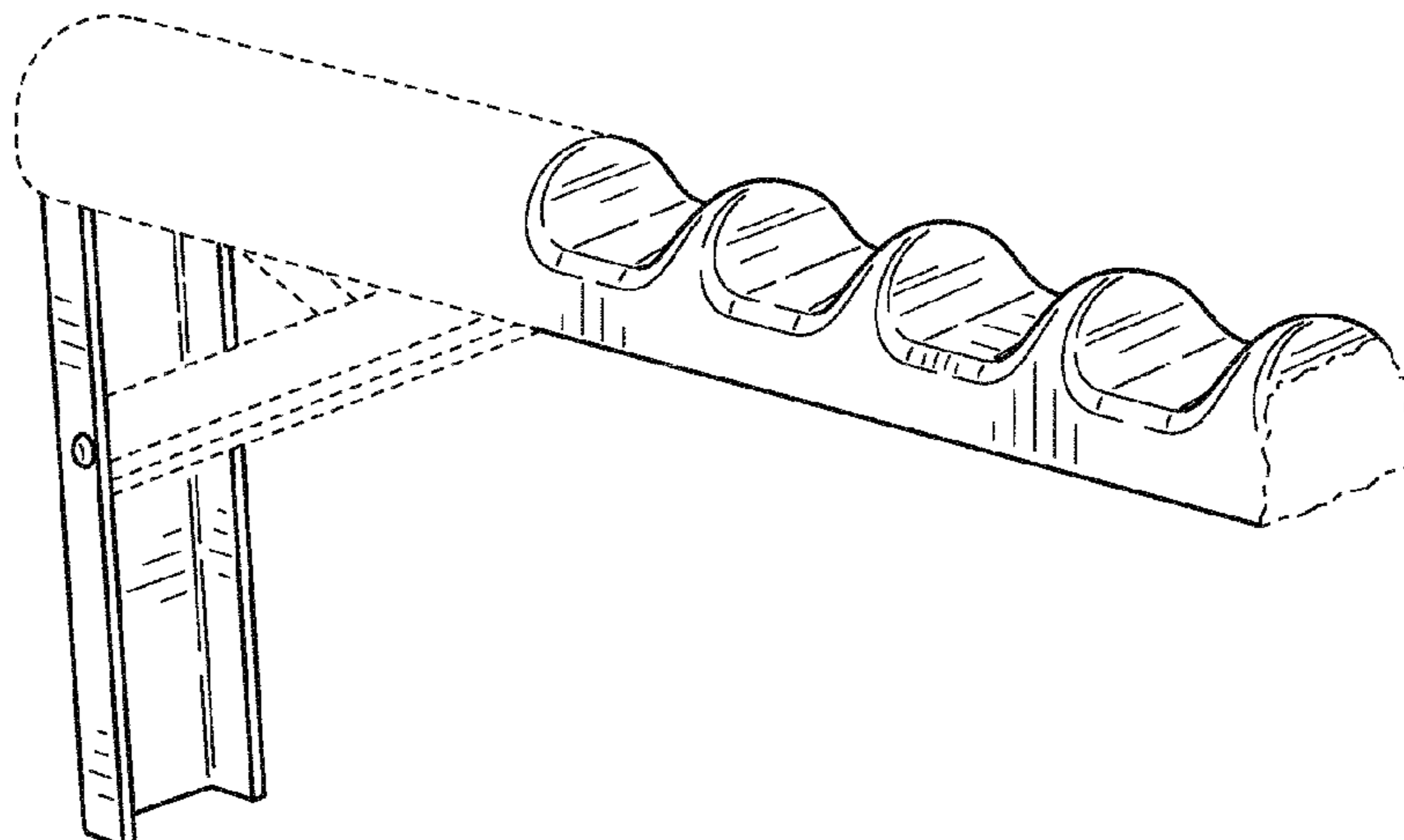
The ornamental design for a collapsible mounted bracket, as shown and described.

DESCRIPTION

FIG. 1 is an isometric view of a front, top, and side of an ornamental design for a collapsible mounted bracket; FIG. 2 is a front elevational view of the collapsible mounted bracket of FIG. 1; FIG. 3 is a rear elevational view of the collapsible mounted bracket of FIG. 1; FIG. 4 is an elevational view of a first side of the collapsible mounted bracket of FIG. 1, an opposite side of the collapsible mounted bracket being a mirror image thereof; and, FIG. 5 is a top plan view of the collapsible mounted bracket of FIG. 1.

The broken lines shown represent portions of the bracket that form no part of the claimed design. The jagged broken lines are a boundary line.

1 Claim, 2 Drawing Sheets



(56)

References Cited

U.S. PATENT DOCUMENTS

5,775,655 A 7/1998 Schmeets
5,950,845 A 9/1999 Harris
D466,719 S * 12/2002 Fitzpatrick D6/415
D540,585 S 4/2007 Igarashi

D587,022 S * 2/2009 Goodman et al. D6/327
D592,420 S * 5/2009 Nankervis D6/411
7,806,280 B1 10/2010 Perkins et al.
D632,898 S * 2/2011 Heroux D6/327
2005/0012006 A1 1/2005 O'Donoghue

* cited by examiner

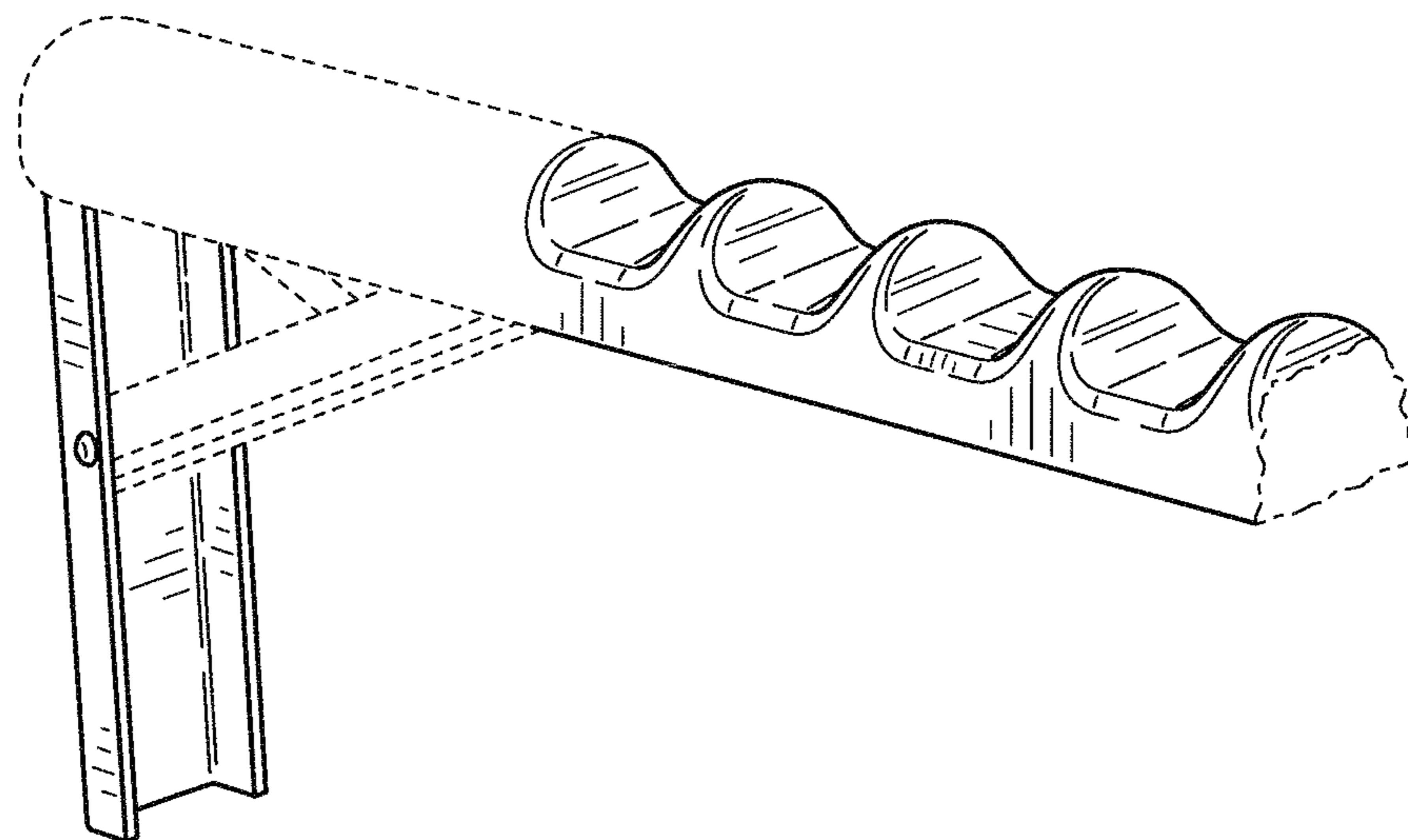


FIG. 1

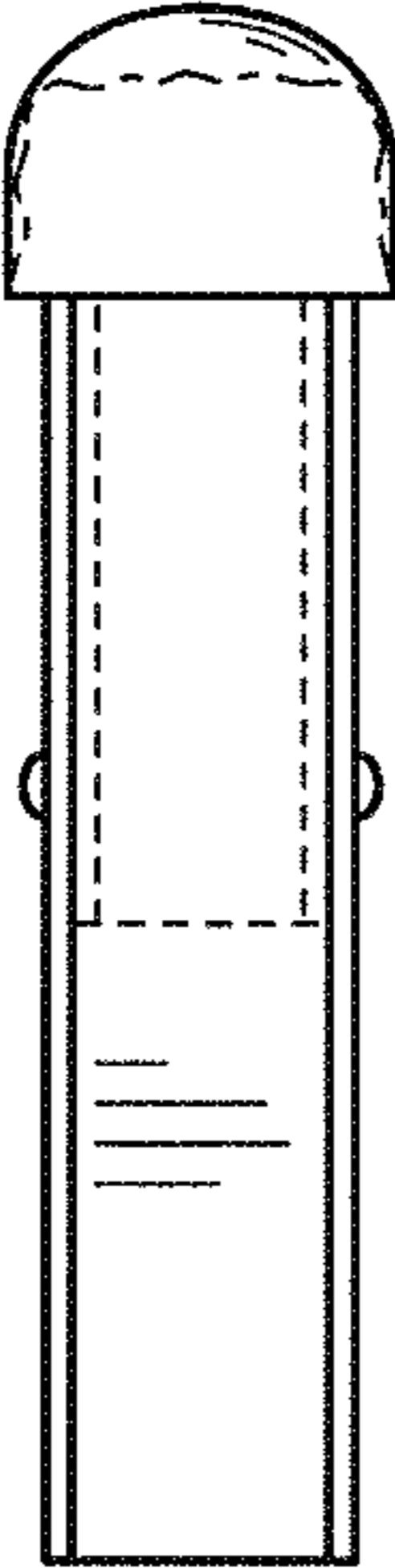


FIG. 2

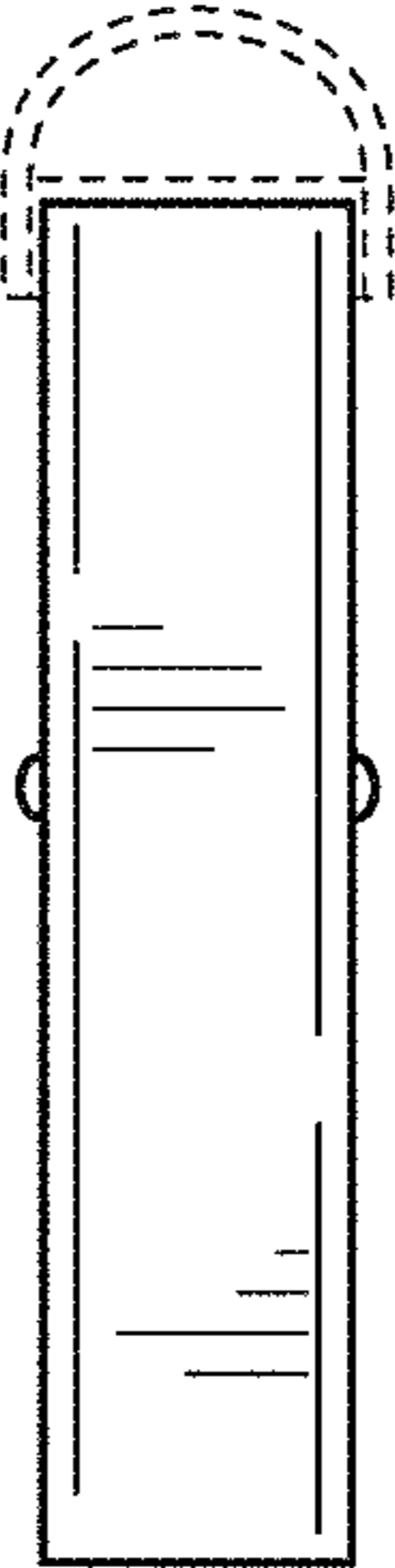


FIG. 3

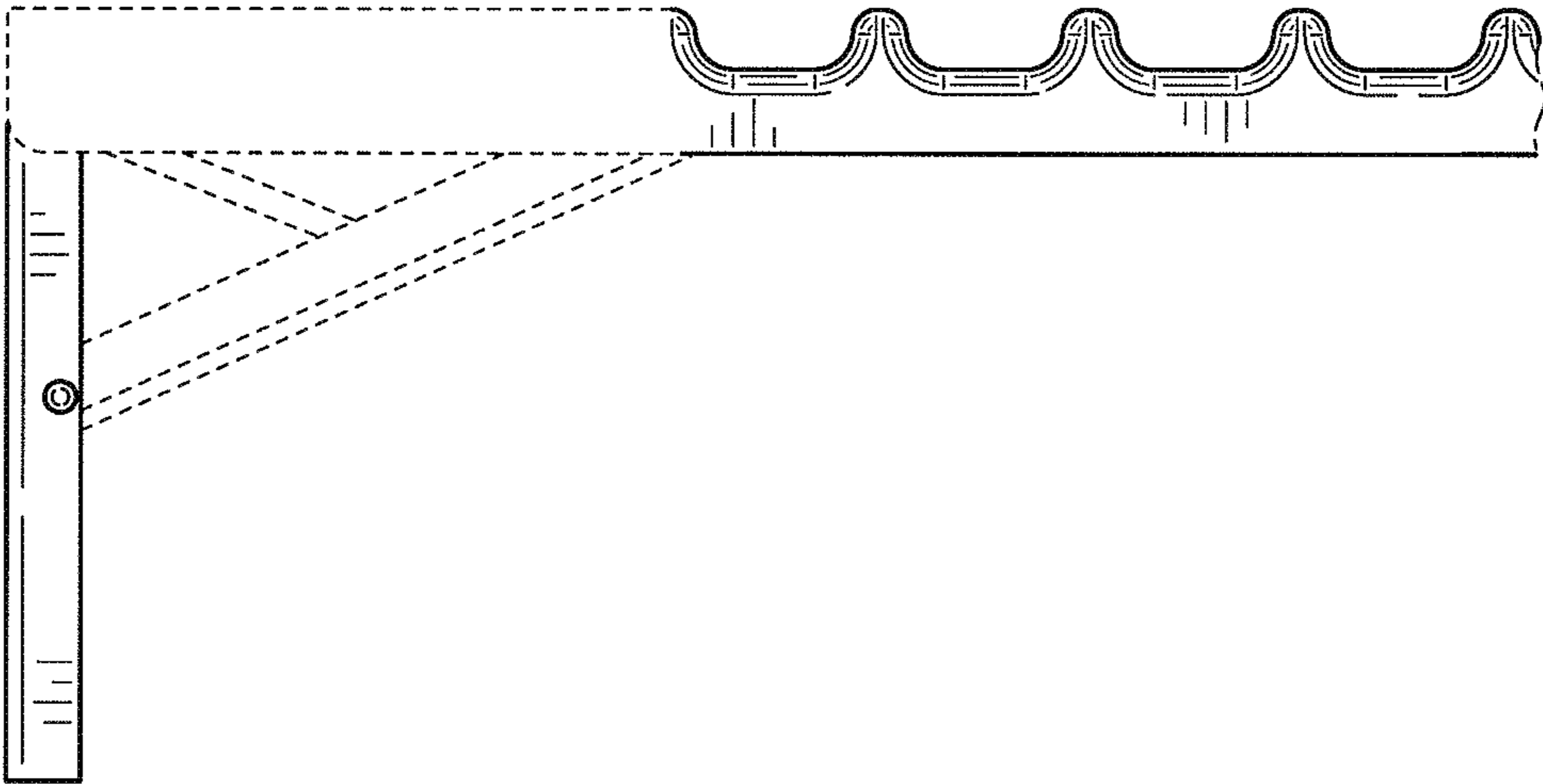


FIG. 4



FIG. 5