



US00D725415S

(12) **United States Design Patent**
Johnson et al.

(10) **Patent No.:** **US D725,415 S**
(45) **Date of Patent:** **** Mar. 31, 2015**

- (54) **DISPLAY FIXTURE**
- (71) Applicant: **Target Brands, Inc.**, Minneapolis, MN (US)
- (72) Inventors: **Jason W. Johnson**, Wayzata, MN (US);
Erin L. Zobel, Minneapolis, MN (US)
- (73) Assignee: **Target Brands, Inc.**, Minneapolis, MN (US)
- (**) Term: **14 Years**
- (21) Appl. No.: **29/509,622**
- (22) Filed: **Nov. 19, 2014**
- (51) **LOC (10) Cl.** **06-04**
- (52) **U.S. Cl.**
USPC **D6/678.4**
- (58) **Field of Classification Search**
CPC A47B 96/07; A47F 3/00; A47F 1/00
USPC D6/320, 326-327, 328, 449, 672-673,
D6/678, 678.4; 211/85.3, 30, 32, 49.1,
211/90.01, 90.03, 94.01, 106
See application file for complete search history.

5,464,105	A	11/1995	Mandeltort	
D376,751	S *	12/1996	Hanson et al.	D8/354
5,595,310	A	1/1997	Spamer et al.	
5,673,801	A	10/1997	Markson	
5,836,459	A	11/1998	Nezwek et al.	
6,044,989	A	4/2000	Sosso	
D425,134	S *	5/2000	Kump	D20/43
D425,939	S *	5/2000	Kump et al.	D20/43
6,161,708	A	12/2000	Myler	
6,290,077	B2	9/2001	Sosso	
6,334,540	B1	1/2002	Plutsky	
6,457,591	B1	10/2002	Lee	
D483,656	S *	12/2003	Shea	D8/381
6,719,151	B2	4/2004	Close	
6,726,035	B2	4/2004	Zadak	
6,877,616	B2	4/2005	Plutsky	
7,048,131	B2	5/2006	Gay et al.	
7,128,223	B1	10/2006	Sarnoff et al.	
7,147,114	B2	12/2006	Sarnoff et al.	

(Continued)

Primary Examiner — Kelley Donnelly
(74) *Attorney, Agent, or Firm* — Leanne Taveggia Farrell;
Westman, Champlin & Koehler, P.A.

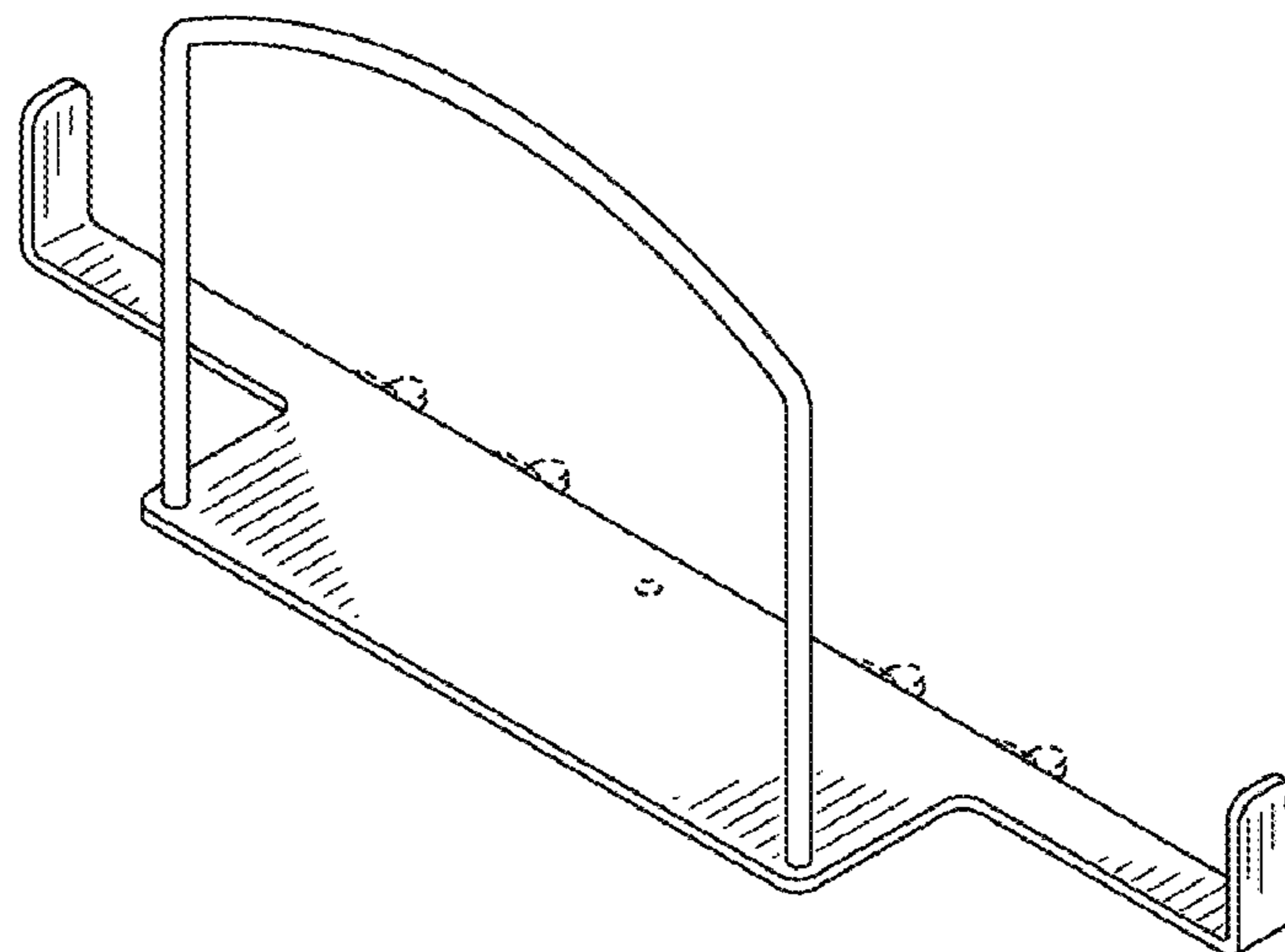
(57) **CLAIM**
The ornamental design for a display fixture, as shown and described.

DESCRIPTION

FIG. 1 is a perspective view of a display fixture with environment showing our new design;
FIG. 2 is a perspective view thereof without environment;
FIG. 3 is a front view thereof;
FIG. 4 is a back view thereof;
FIG. 5 is right side view thereof, the left side view being a mirror image;
FIG. 6 is a top view thereof; and,
FIG. 7 is a bottom view thereof.
The broken lines shown in the drawings are included for purposes of illustrating environment or portions of the display fixture and form no part of the claimed design.

1 Claim, 3 Drawing Sheets

- (56) **References Cited**
U.S. PATENT DOCUMENTS
- 2,527,277 A 10/1950 Schade
- 3,175,694 A 3/1965 Reibold et al.
- D216,515 S 1/1970 Sankey
- D242,407 S 11/1976 Enckler
- D242,409 S 11/1976 Enckler
- 4,410,093 A 10/1983 Chiariello et al.
- 4,593,822 A 6/1986 Yeane et al.
- 4,813,535 A 3/1989 Radocha et al.
- 4,863,131 A 9/1989 Kinseley
- D306,878 S * 3/1990 Crowley D20/43
- 4,905,847 A 3/1990 Hanson
- D321,621 S * 11/1991 Stumpf et al. D6/574
- 5,411,146 A 5/1995 Jarecki et al.
- D364,074 S 11/1995 Yeh



(56)

References Cited

U.S. PATENT DOCUMENTS

D547,641 S *	7/2007	Jueneman	D8/382	D638,694 S *	5/2011	Misch	D8/380
D551,007 S	9/2007	Trinko		7,971,737 B2	7/2011	Newbould et al.	
D580,498 S	11/2008	Healy et al.		7,992,726 B2	8/2011	Goehring	
D585,094 S	1/2009	Smith		D669,291 S	10/2012	Johnson et al.	
D588,649 S	3/2009	Healy et al.		D671,393 S	11/2012	Shea	
D630,459 S *	1/2011	Millspaugh	D6/574	D678,948 S *	3/2013	Stravitz	D19/90
				D680,361 S	4/2013	Zobel et al.	
				D699,990 S	2/2014	Martell et al.	
				8,800,079 B1 *	8/2014	Eubank	5/504.1

* cited by examiner

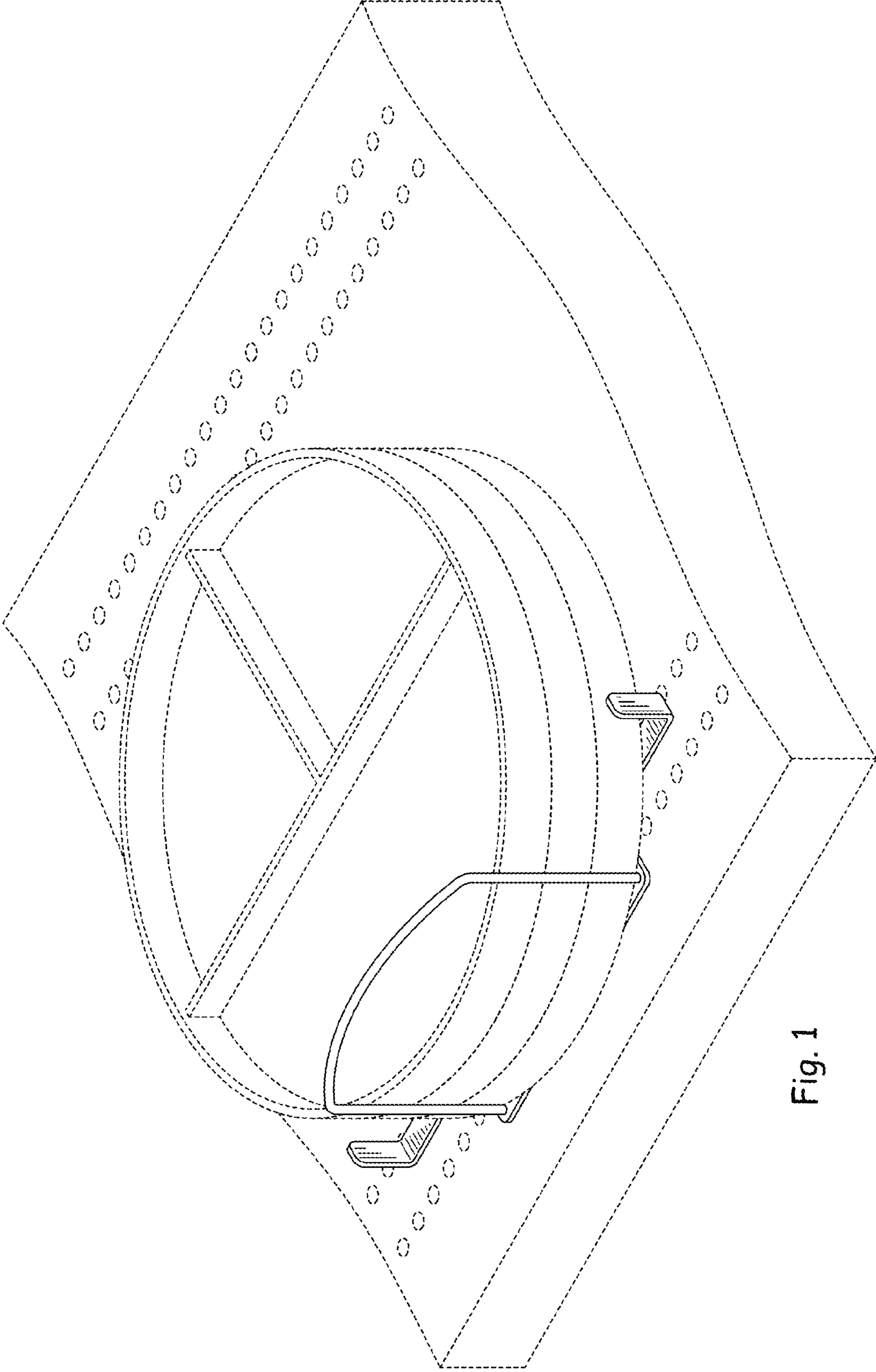


Fig. 1

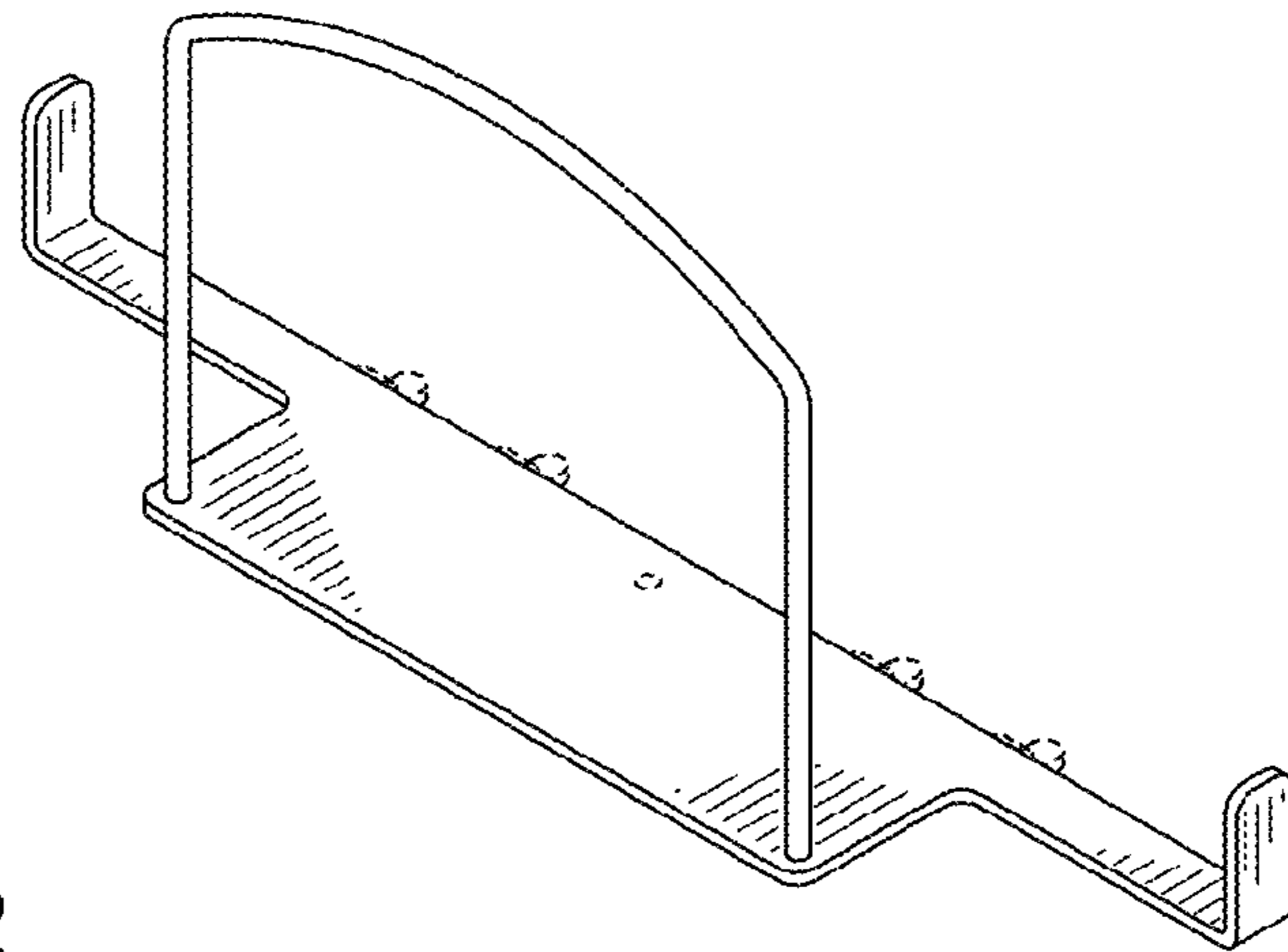


Fig. 2

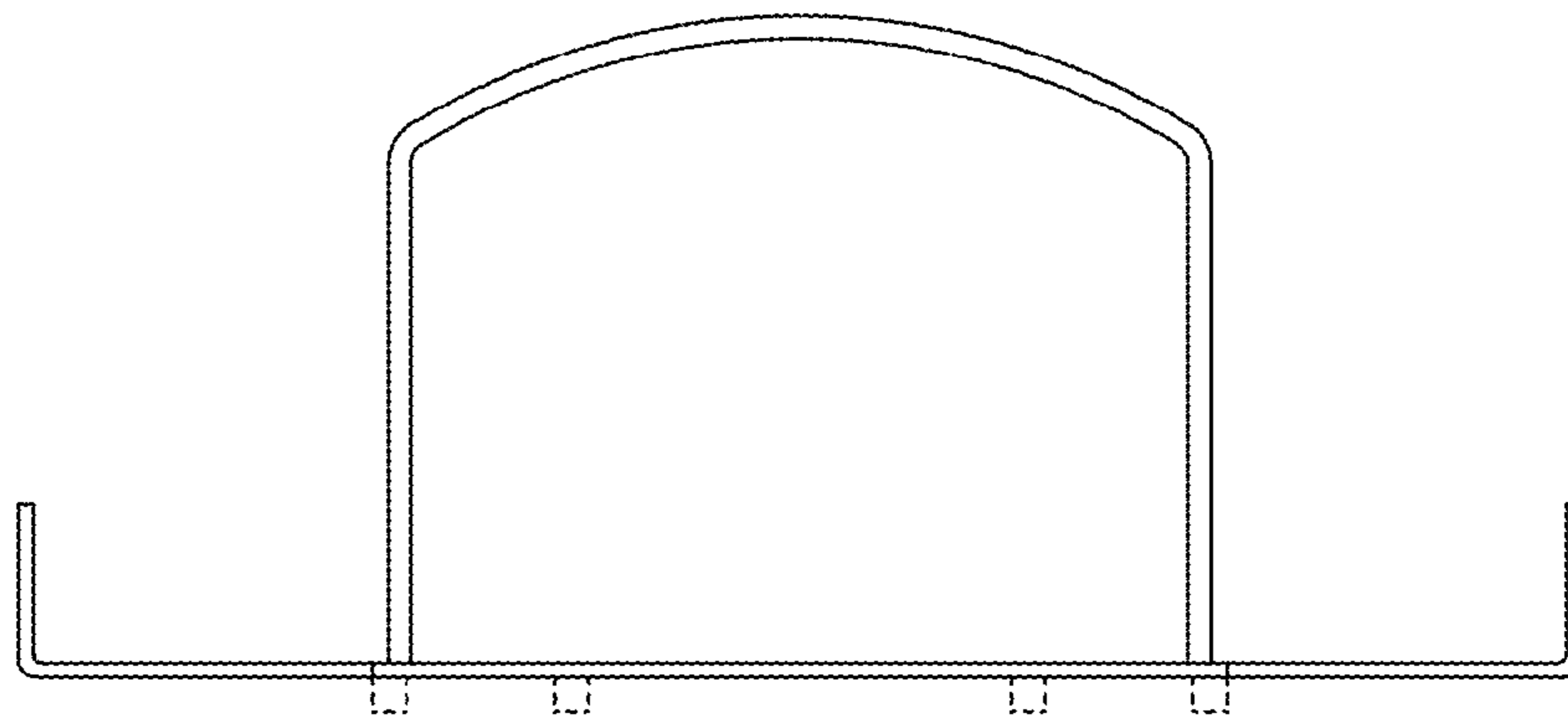


Fig. 3

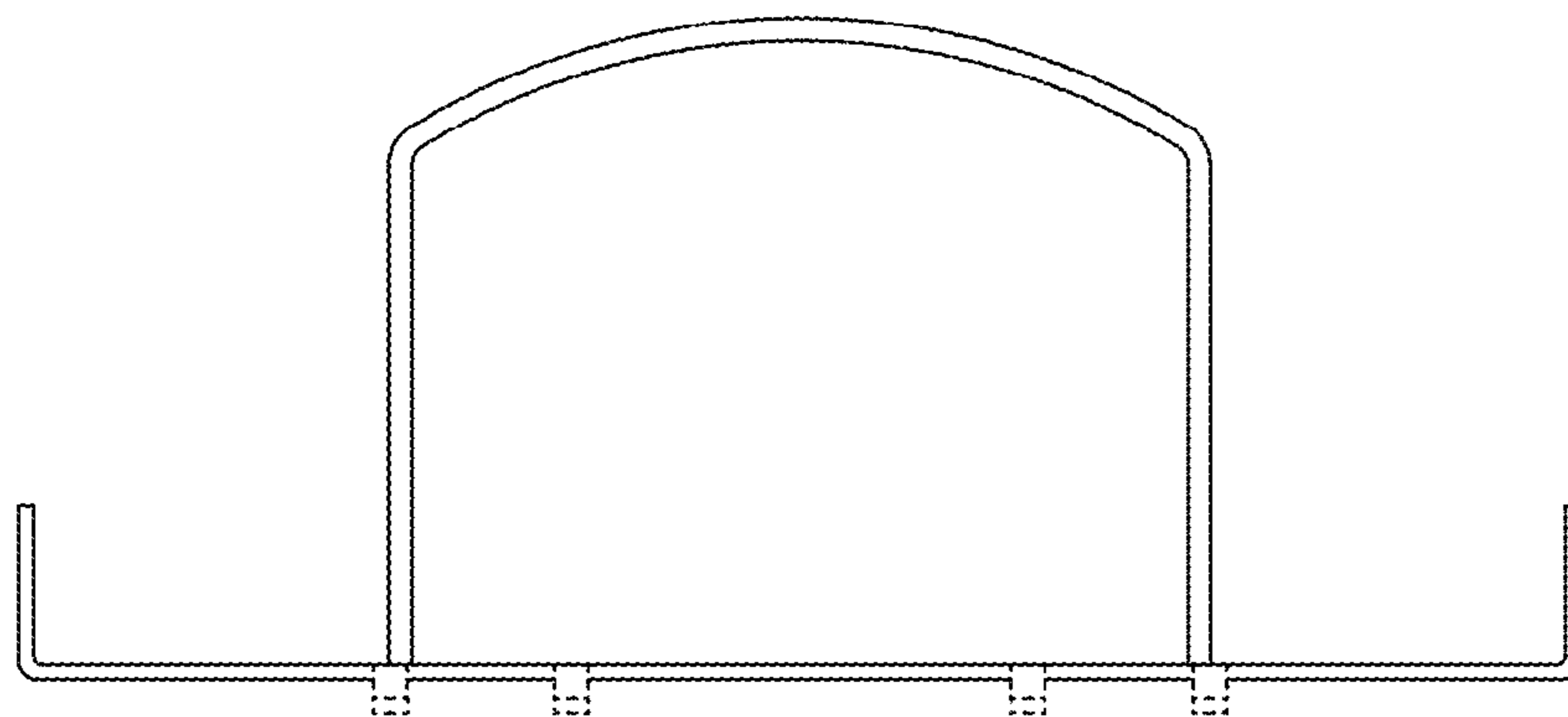


Fig. 4

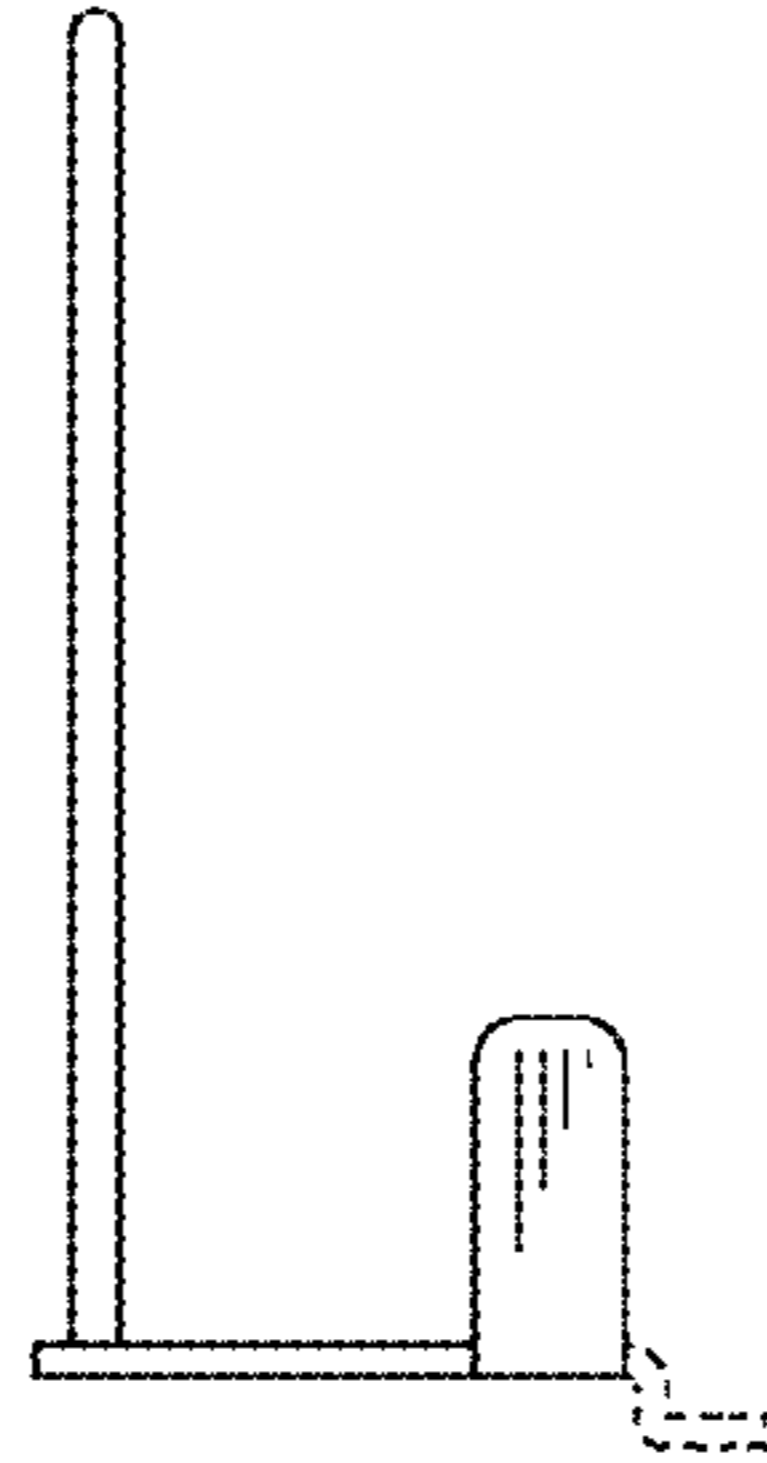


Fig. 5

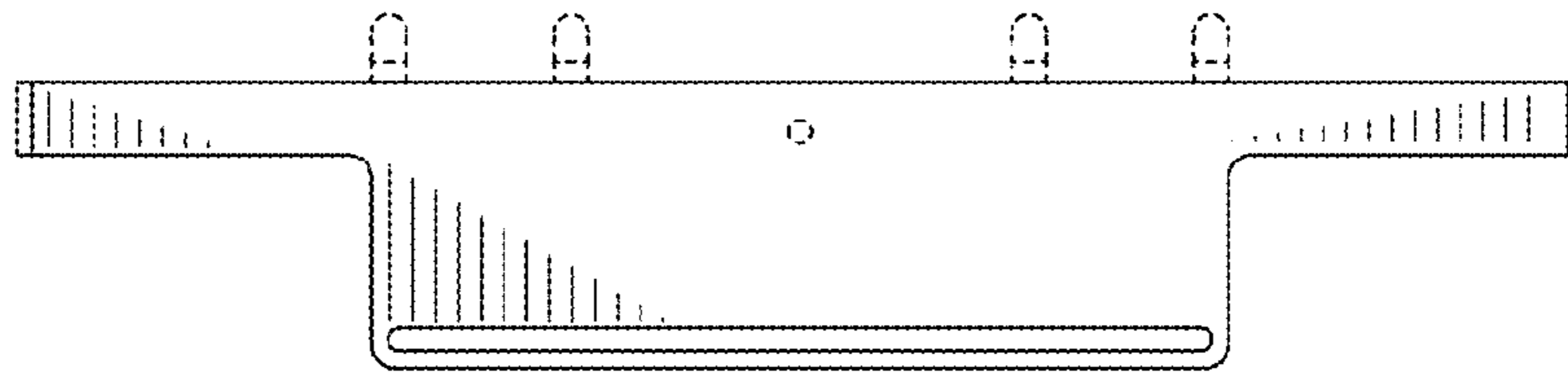


Fig. 6

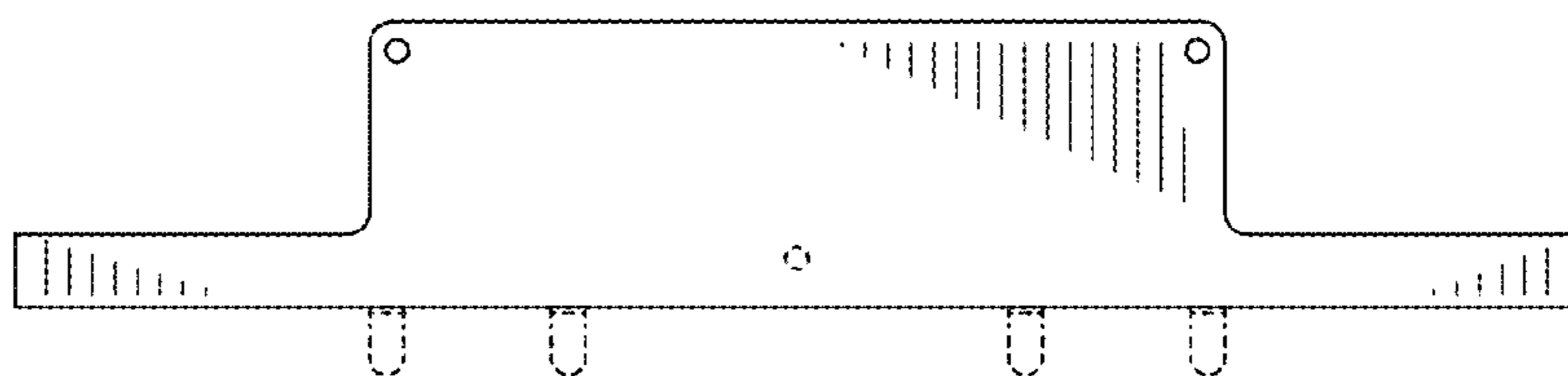


Fig. 7