



US00D725414S

(12) **United States Design Patent**  
**Goodman et al.**

(10) **Patent No.:** **US D725,414 S**  
(45) **Date of Patent:** **\*\* Mar. 31, 2015**

- (54) **SHELF**
- (71) Applicant: **Spectrum Diversified Designs, Inc.**,  
Streetsboro, OH (US)
- (72) Inventors: **Sheldon H. Goodman**, Solon, OH (US);  
**Phaysouk Xayoiphonh**, Akron, OH (US)
- (73) Assignee: **Spectrum Diversified Designs, Inc.**,  
Streetsboro, OH (US)
- (\*\*) Term: **14 Years**
- (21) Appl. No.: **29/503,193**
- (22) Filed: **Sep. 24, 2014**
- (51) **LOC (10) Cl.** ..... **06-06**
- (52) **U.S. Cl.**  
USPC ..... **D6/675.5**
- (58) **Field of Classification Search**  
USPC ..... D6/334–335, 349, 396–397, 449,  
D6/455–456, 462, 475, 477, 509–511, 672,  
D6/675.5, 705; 108/50.11, 59, 91–93;  
211/13.1, 37–38, 85.3, 85.4, 30, 34,  
211/42, 49.1, 90.03, 106, 181.1; 248/441.1,  
248/465.1, 175, 124.1, 448  
See application file for complete search history.

(56) **References Cited**  
U.S. PATENT DOCUMENTS

D264,157 S *	5/1982	Karsikas .....	D6/465
4,444,320 A *	4/1984	Chap .....	211/134
4,732,284 A *	3/1988	Remmers .....	211/188
D296,284 S *	6/1988	Colby .....	D6/487
4,805,785 A *	2/1989	Pfeifer et al. ....	211/188
4,915,238 A *	4/1990	Cassel .....	211/37
5,022,540 A *	6/1991	Vail et al. ....	211/126.9
5,035,335 A *	7/1991	Massoudnia .....	211/188

5,074,223 A *	12/1991	Remmers .....	108/91
D324,142 S *	2/1992	Cassel .....	D6/462
5,097,971 A *	3/1992	Norris et al. ....	211/126.6
5,152,407 A *	10/1992	Massoudnia et al. ....	211/126.8
D338,576 S *	8/1993	Livi .....	D6/484
D405,627 S *	2/1999	Salvucci .....	D6/465
6,318,570 B1 *	11/2001	Mueller et al. ....	211/181.1
D457,752 S *	5/2002	Wood et al. ....	D6/462
D511,916 S *	11/2005	Shapiro .....	D6/511
D548,494 S *	8/2007	Mercs .....	D6/485
D551,876 S *	10/2007	Gusdorf et al. ....	D6/406.6
D579,237 S *	10/2008	Gusdorf .....	D6/462
D587,492 S *	3/2009	Gusdorf .....	D6/462
D619,822 S *	7/2010	Damgaard-Sorensen ..	D6/406.1
7,967,155 B2 *	6/2011	Klingspor et al. ....	211/153
D654,292 S *	2/2012	Snider .....	D6/510
D663,545 S *	7/2012	Hundley .....	D6/396
D679,924 S *	4/2013	Klein et al. ....	D6/566
D702,997 S *	4/2014	Cloutier .....	D7/409

\* cited by examiner

*Primary Examiner* — Kelley Donnelly

(74) *Attorney, Agent, or Firm* — Renner, Otto, Boisselle & Sklar, LLP

(57) **CLAIM**

The ornamental design for a shelf, as shown and described.

**DESCRIPTION**

FIG. 1 is a perspective view of a shelf showing our new design.

FIG. 2 is a front view thereof, a rear view being a mirror image of the front view.

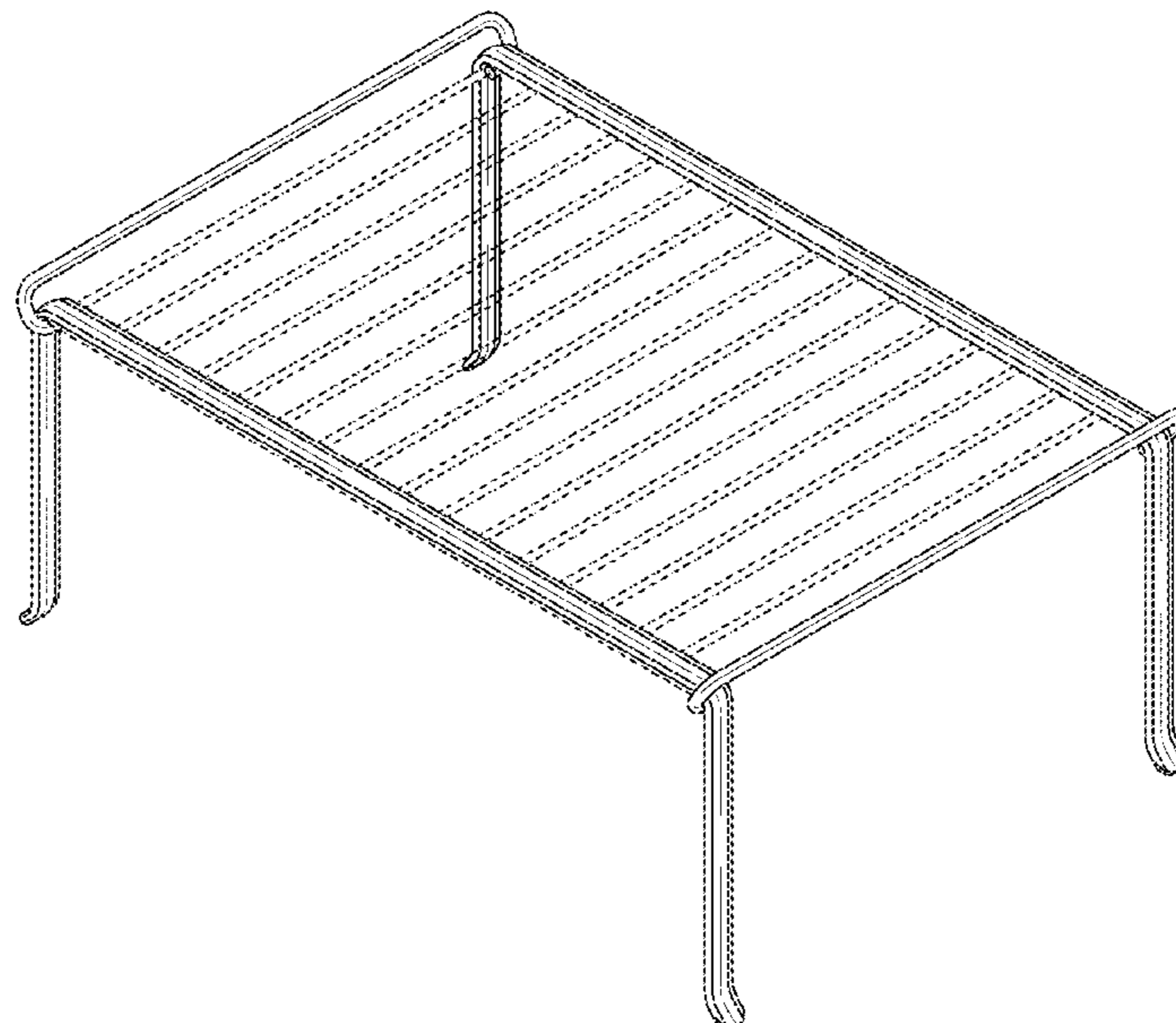
FIG. 3 is a left side view thereof, a right side view being a mirror image of the left side view.

FIG. 4 is a top view thereof; and,

FIG. 5 is a bottom view thereof.

The broken lines shown herein are for illustrative purposes only and form no part of the claimed design.

**1 Claim, 3 Drawing Sheets**



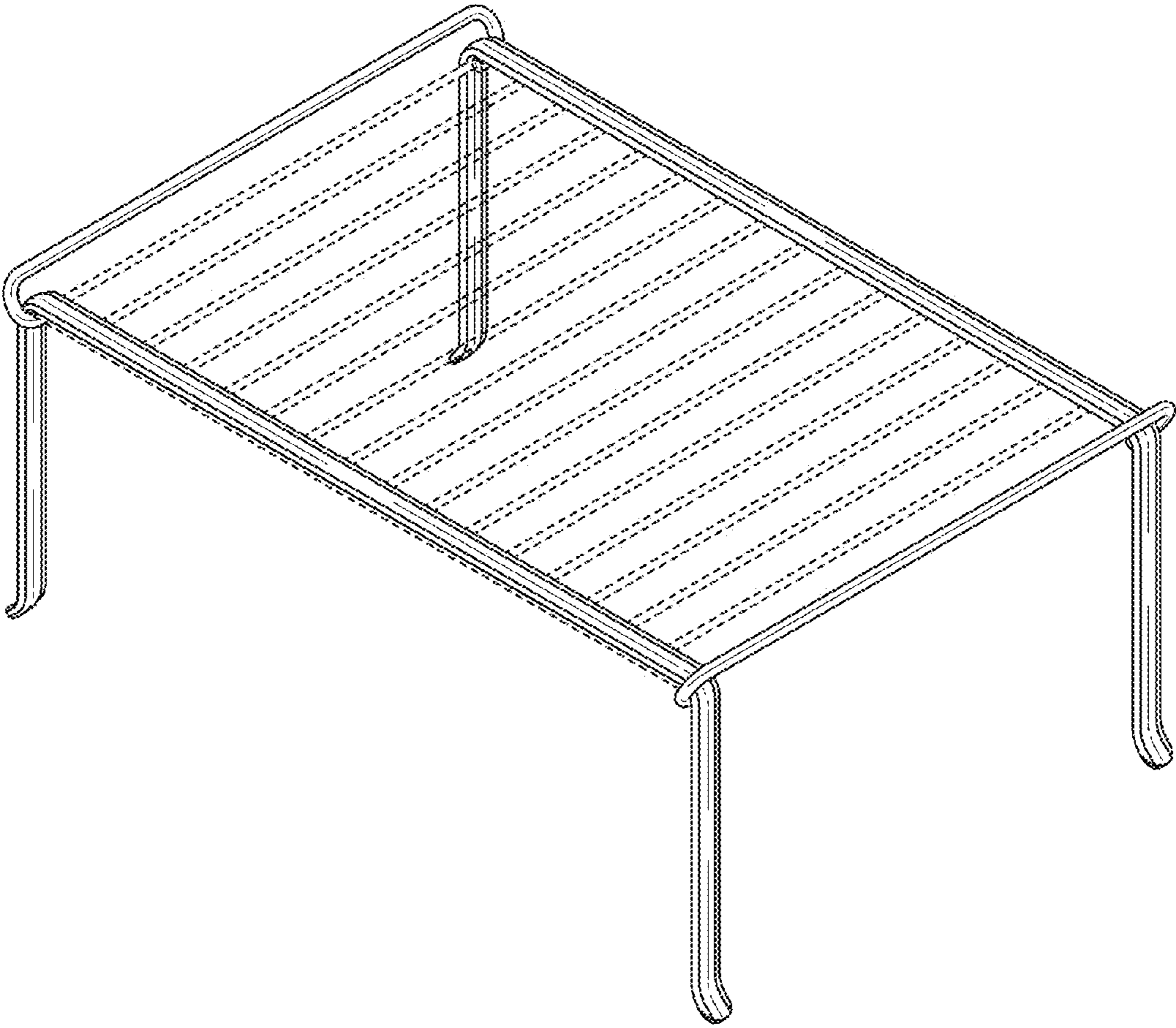


FIG. 1



FIG. 2



FIG. 3

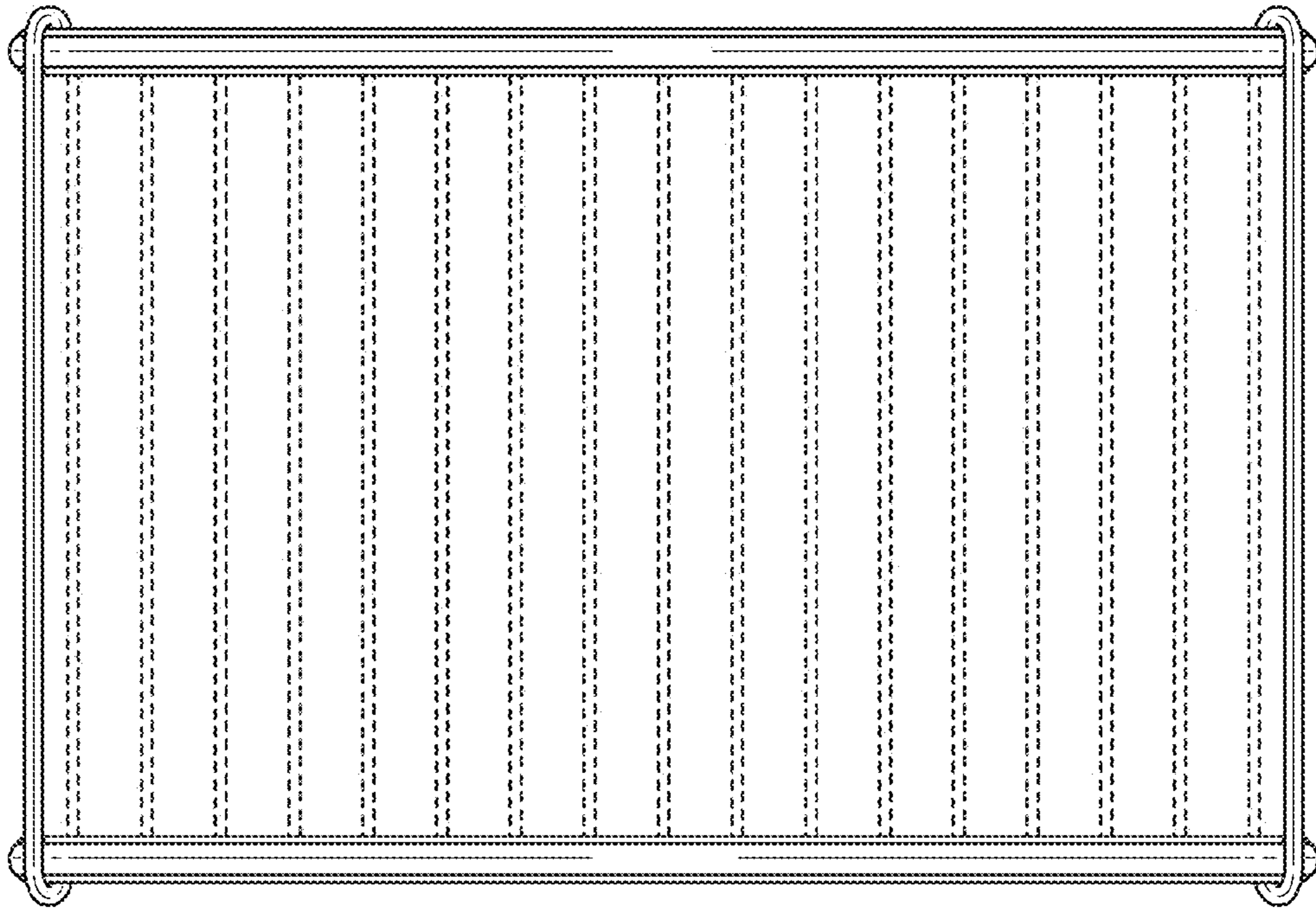


FIG. 4

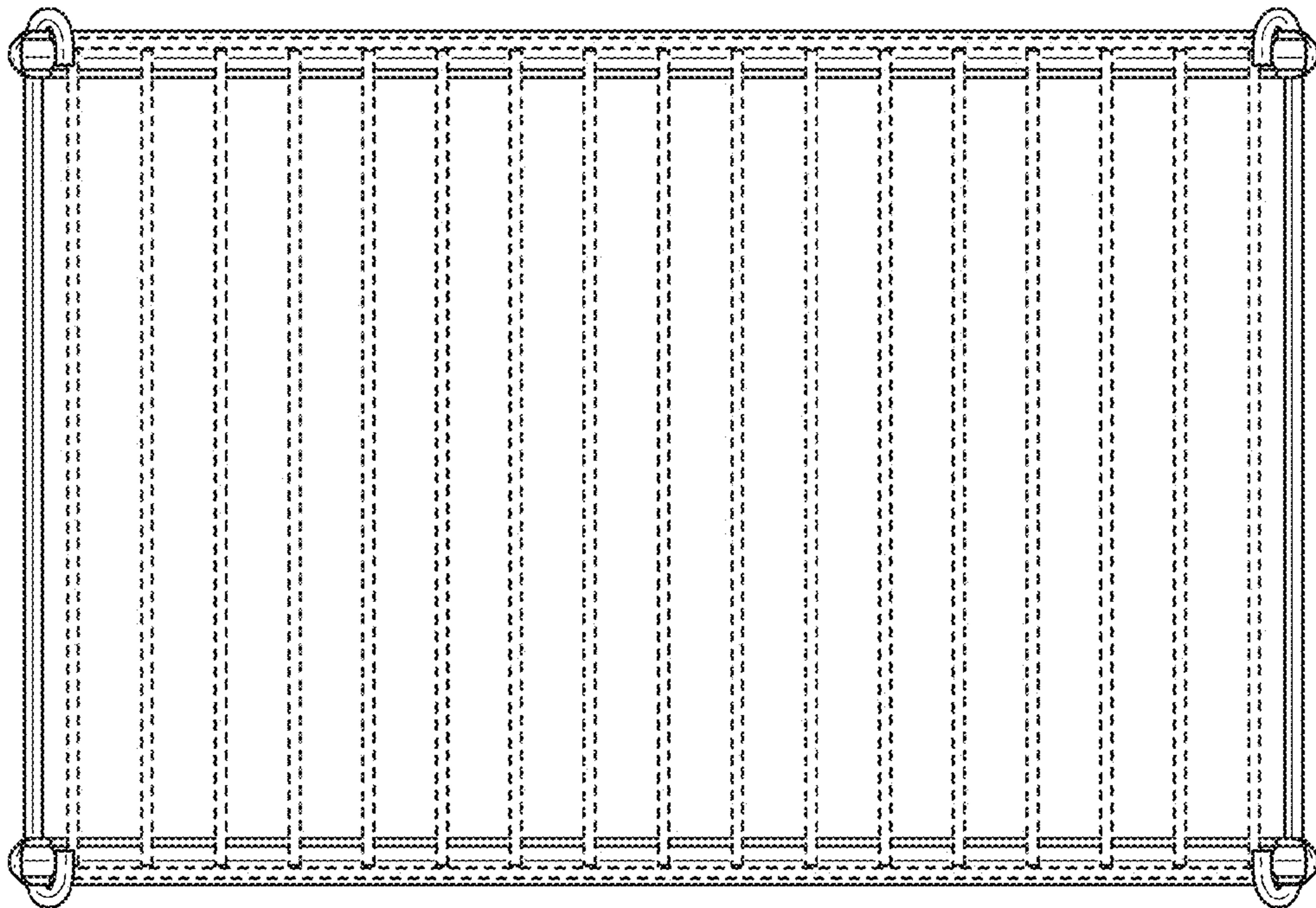


FIG. 5