

US00D725412S

(12) **United States Design Patent**
Kielwasser

(10) **Patent No.:** **US D725,412 S**
(45) **Date of Patent:** **** Mar. 31, 2015**

(54) **CHEST**

(71) Applicant: **Acme Furniture Industry, Inc.**, City of Industry, CA (US)

(72) Inventor: **Bonnie Kielwasser**, Hillsborough, NC (US)

(73) Assignee: **Acme Furniture Industry, Inc.**, City of Industry, CA (US)

(**) Term: **14 Years**

(21) Appl. No.: **29/467,483**

(22) Filed: **Sep. 19, 2013**

(51) **LOC (10) Cl.** **06-04**

(52) **U.S. Cl.**
USPC **D6/665; D6/671.1**

(58) **Field of Classification Search**
CPC A47F 3/00; A47F 3/005; A47B 17/04; A47B 67/005; A47B 47/03; A47B 67/04
USPC D6/663, 664, 664.1, 665, 671, 671.1, D6/671.2; 312/114, 138.1, 204, 224, 312/257.1, 330.1
See application file for complete search history.

(56) **References Cited**

U.S. PATENT DOCUMENTS

D109,985 S * 6/1938 Hickerson D6/665
D272,210 S * 1/1984 Brunner et al. D6/671.1

D274,585 S * 7/1984 Wood D6/665
D347,337 S * 5/1994 Keller D6/671.1
D375,514 S * 11/1996 Keller et al. D6/671.1
D376,057 S * 12/1996 Brunner et al. D6/671.1
D401,781 S * 12/1998 Zaidman D6/671.1
D564,791 S * 3/2008 Draheim D6/671.1

* cited by examiner

Primary Examiner — Mimoso De

(74) *Attorney, Agent, or Firm* — Ardent Law Group, PC; Anthony King

(57) **CLAIM**

The ornamental design for a chest, as shown and described.

DESCRIPTION

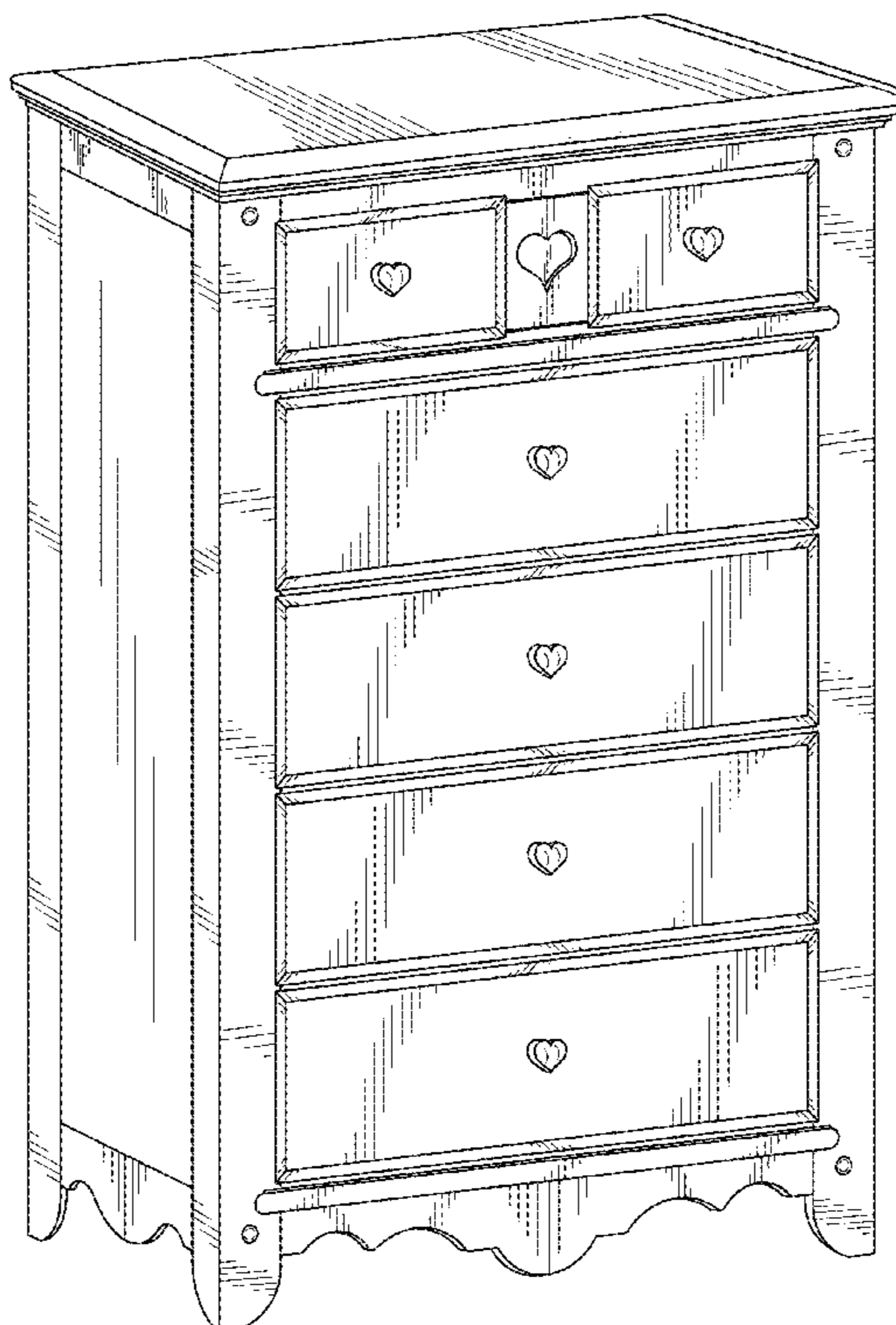
FIG. 1 is a perspective view of a chest of the present invention; FIG. 2 is a front view of the chest of FIG. 1, the back of the chest is not illustrated as it forms no part of the present invention;

FIG. 3 is a right side view of the chest of FIG. 1, the left side view being a mirror image thereof; and,

FIG. 4 is a top view of the chest of FIG. 1, the bottom of the chest is not illustrated as it forms no part of the present invention.

The chest is typically used in bedroom settings. The chest comprises a main central body having storage drawers within the main central body.

1 Claim, 4 Drawing Sheets



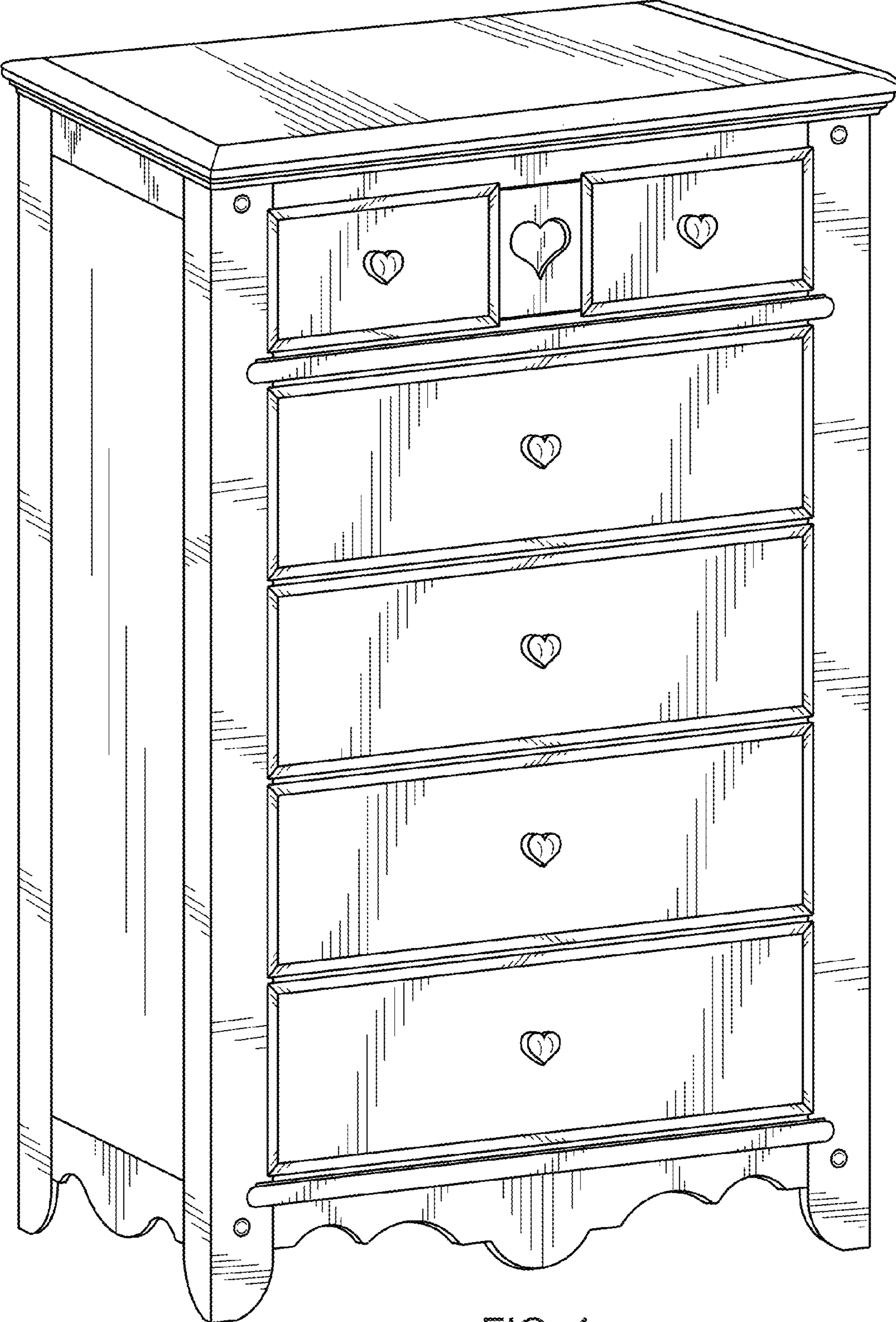


FIG. 1

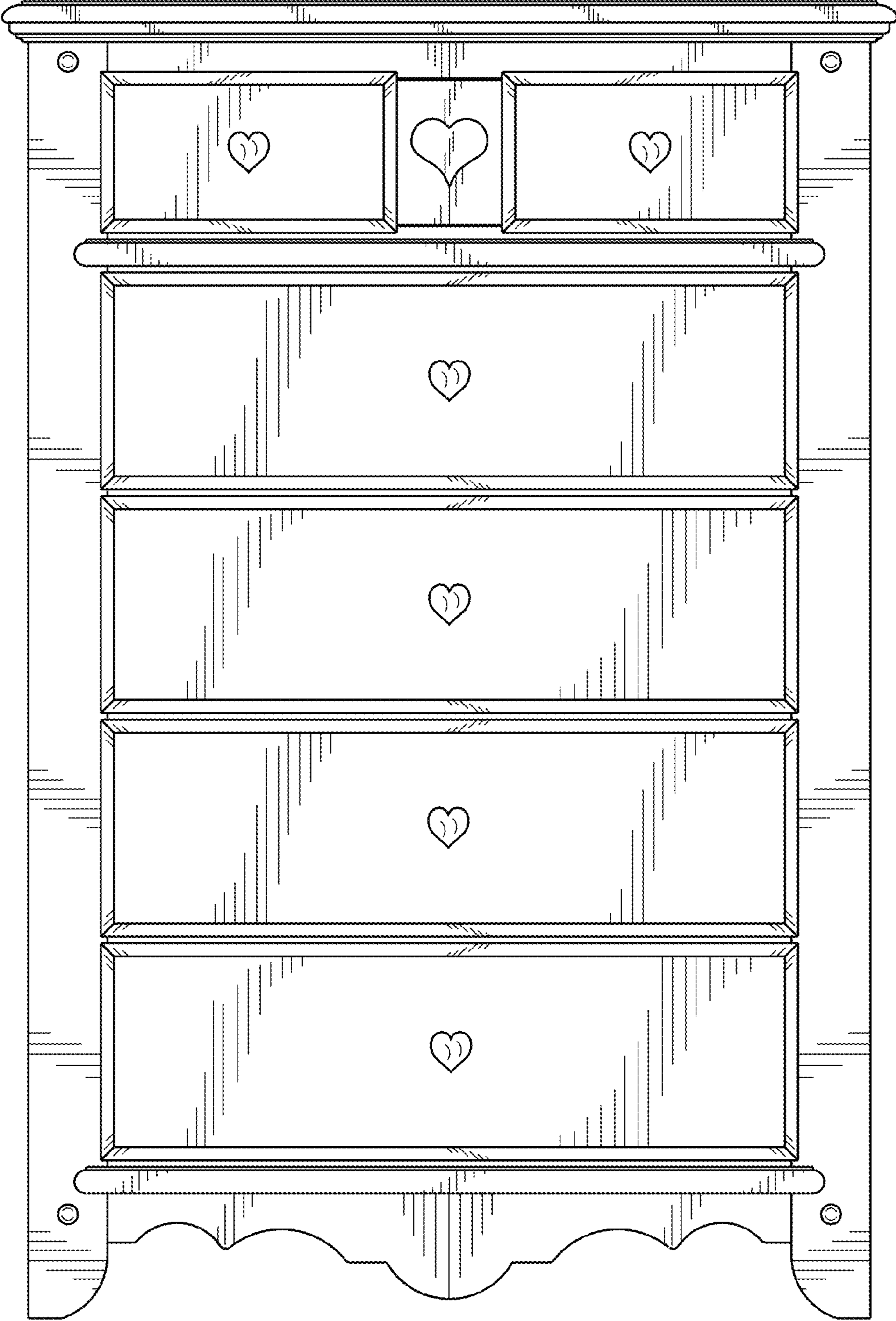


FIG. 2

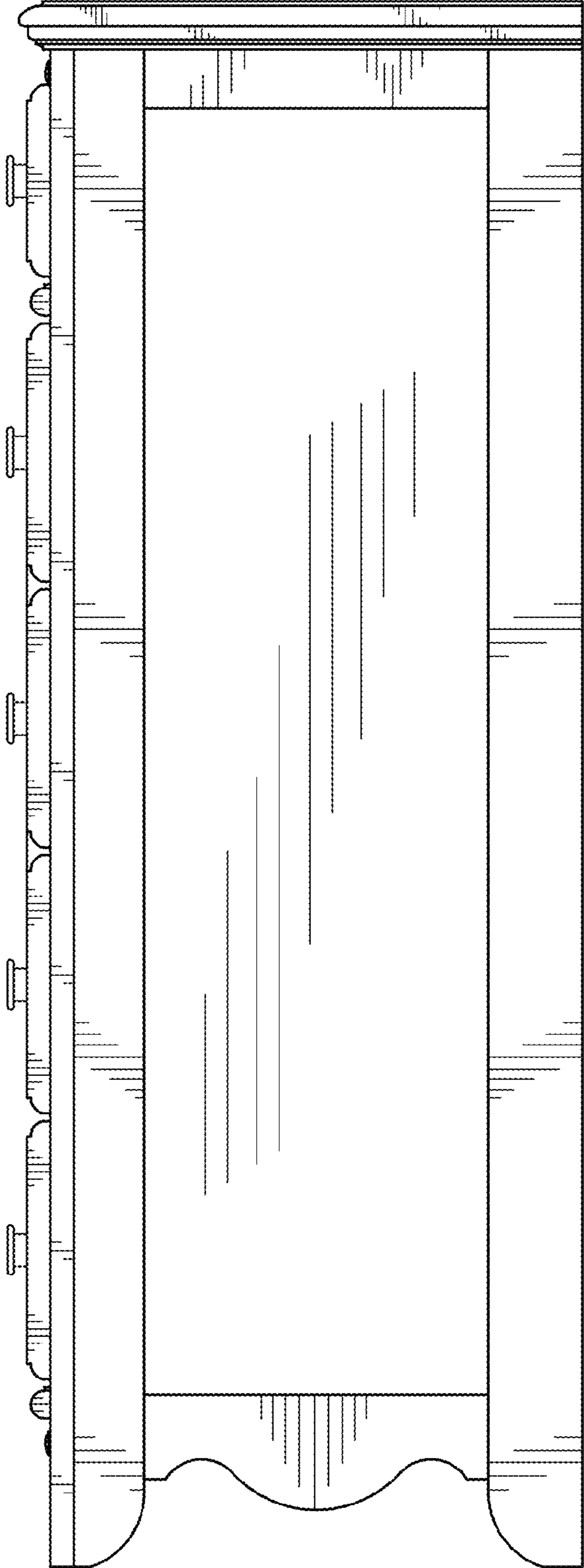


FIG. 3

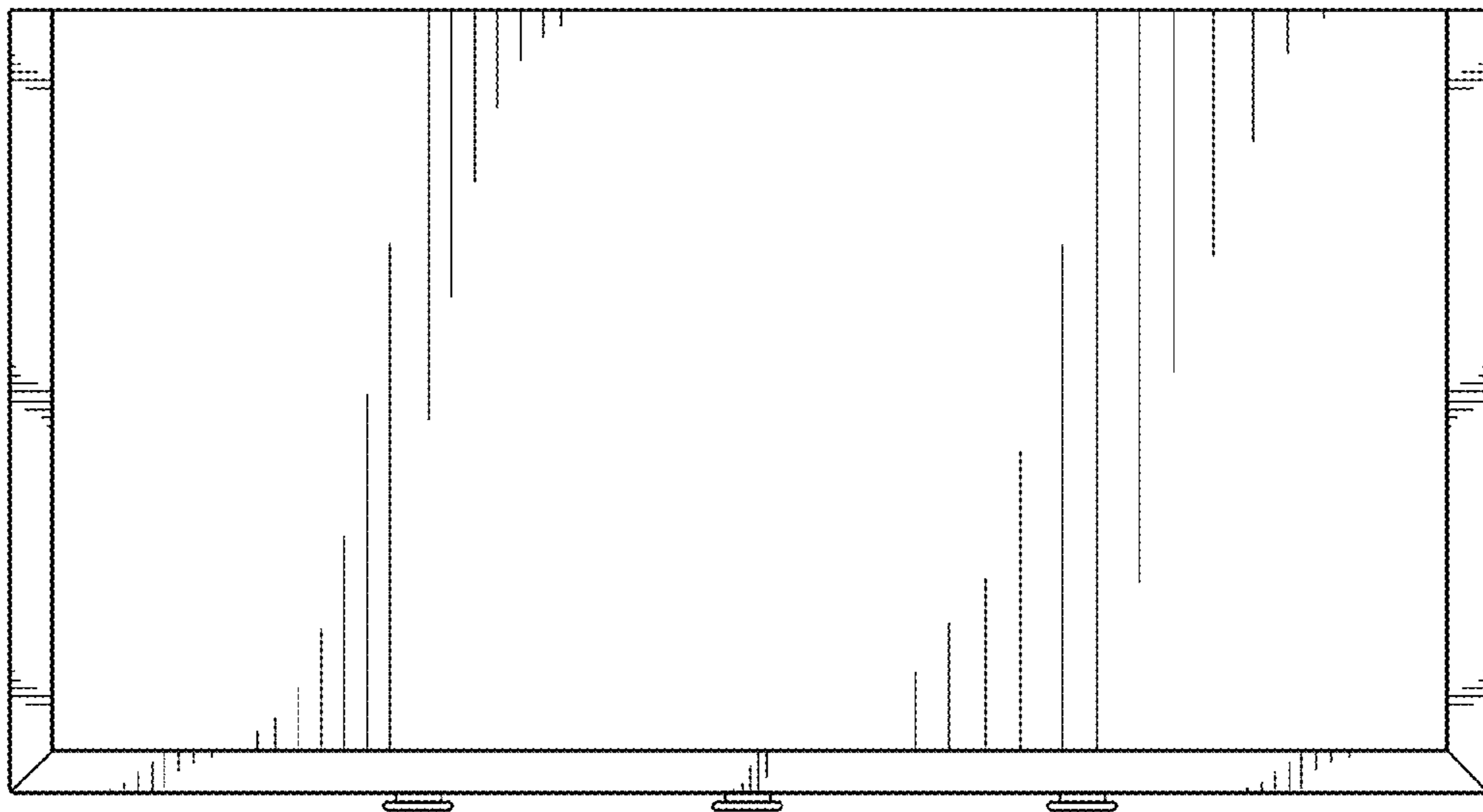


FIG. 4