



US00D725411S

(12) **United States Design Patent**
Jannetides et al.

(10) **Patent No.:** **US D725,411 S**
(45) **Date of Patent:** **** Mar. 31, 2015**

(54) **FURNITURE PIECE**

(71) Applicants: **James Jannetides**, St. Petersburg, FL
(US); **Adam Anderson**, Indianapolis, IN
(US)

(72) Inventors: **James Jannetides**, St. Petersburg, FL
(US); **Adam Anderson**, Indianapolis, IN
(US)

(73) Assignee: **J Squared, Inc**, Greenfield, IN (US)

(**) Term: **14 Years**

(21) Appl. No.: **29/481,530**

(22) Filed: **Feb. 6, 2014**

(51) **LOC (10) Cl.** **06-04**

(52) **U.S. Cl.**
USPC **D6/663**

(58) **Field of Classification Search**

CPC A47B 87/02; A47B 88/00; A47B 88/10;
A47B 88/20; A47B 88/0003; A47B 88/0007;
A47B 88/0014; A47B 88/0407; A47B
88/0044; A47B 88/044; A47B 88/047; A47B
88/04; A47B 88/005; A47B 2088/0081;
A47B 63/02; E05B 65/44; E05B 65/46;
E05B 65/462
USPC D3/273, 296–298; D6/657, 661–664,
D6/671, 671.1, 671.2, 684, 691, 703, 705,
D6/705.2, 705.4, 705.5; D7/600.1;
D34/19, 21; 312/108, 109, 219, 246,
312/257.1, 297, 330.1, 332.1, 333, 334.2,
312/334.33, 348.3, 348.4

See application file for complete search history.

(56) **References Cited**

U.S. PATENT DOCUMENTS

D59,059 S * 9/1921 Bergstrom D6/446
3,316,046 A * 4/1967 Stephens et al. 312/246

(Continued)

Primary Examiner — Ricky Pham

(74) *Attorney, Agent, or Firm* — E. Victor Indiano; Indiano
Law Group, LLC

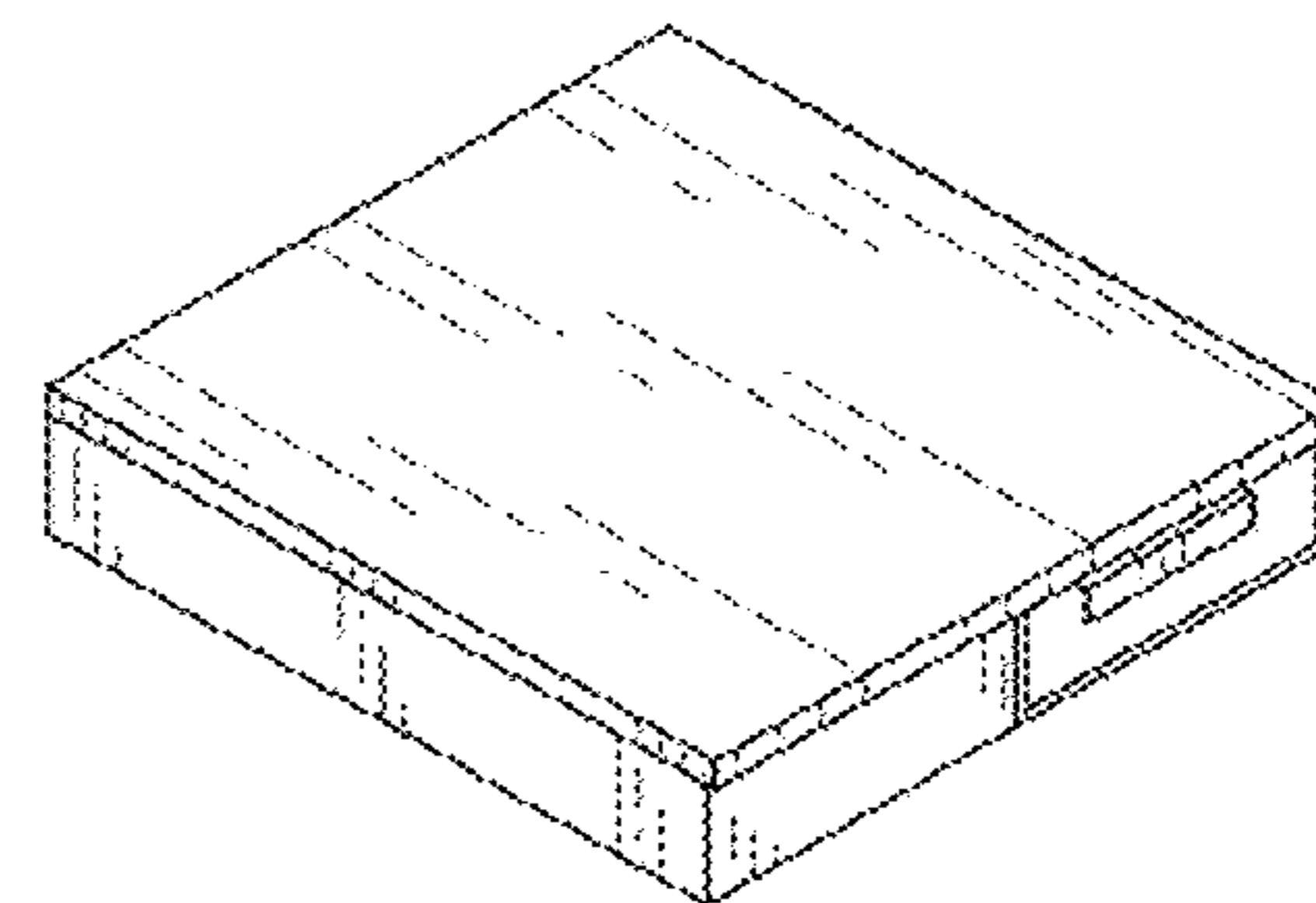
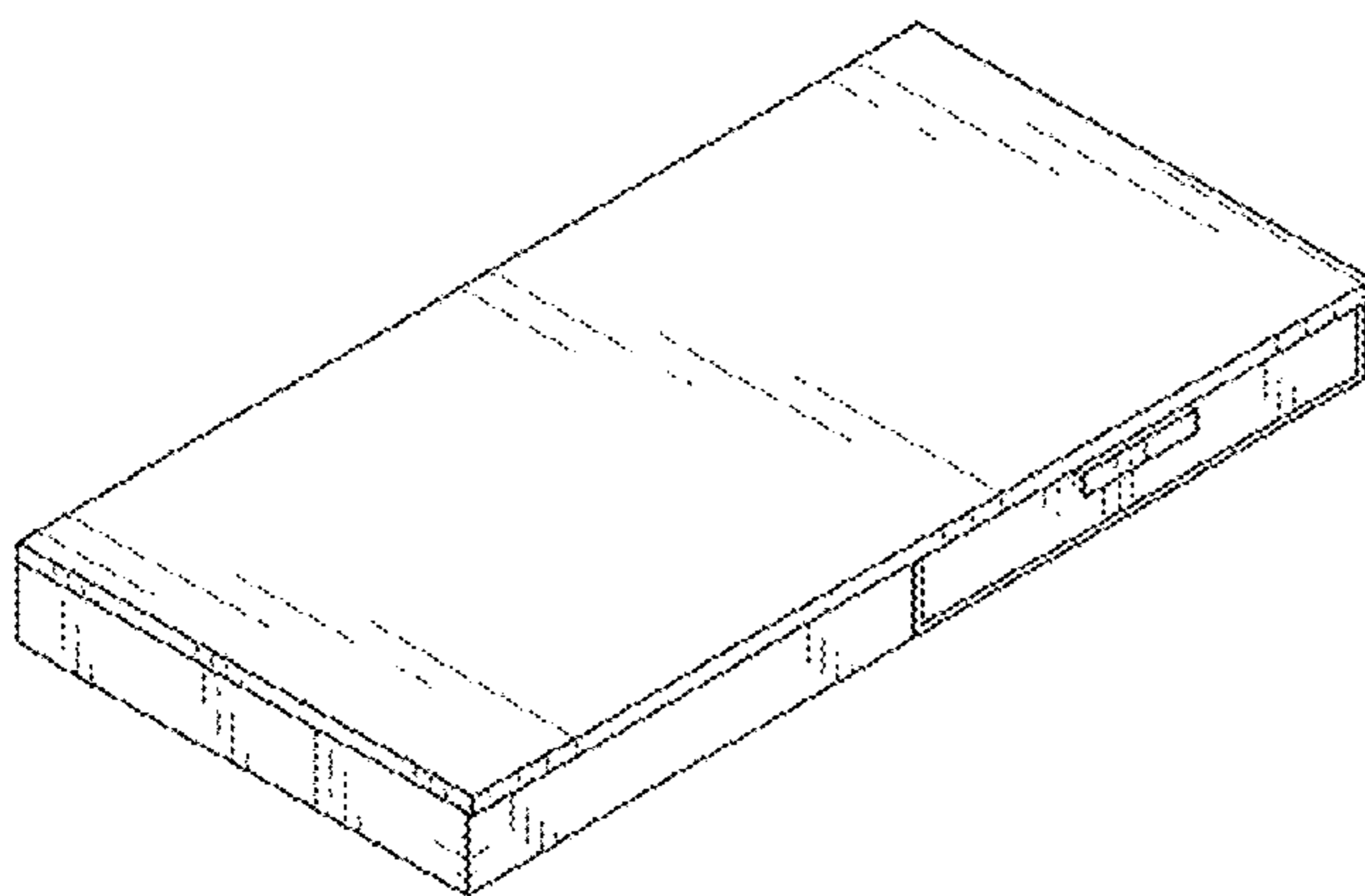
(57) **CLAIM**

The ornamental design for a furniture piece, as shown and
described.

DESCRIPTION

FIG. 1 is a perspective view of a furniture piece showing our
new design and featuring the top, front and left sides thereof;
FIG. 2 is a rear view of the device shown in FIG. 1;
FIG. 3 is a right side view of the device shown in FIG. 1;
FIG. 4 is a left side view of the device shown in FIG. 1;
FIG. 5 is a bottom view of the device shown in FIG. 1;
FIG. 6 is a top view of the device shown in FIG. 1;
FIG. 7 is a front view of the device shown in FIG. 1;
FIG. 8 is a perspective view of a first alternate embodiment of
the device of the present invention;
FIG. 9 is a rear view of the device shown in FIG. 8;
FIG. 10 is a right side view of the device shown in FIG. 8;
FIG. 11 is a left side view of the device shown in FIG. 8;
FIG. 12 is a bottom view of the device shown in FIG. 8;
FIG. 13 is a top view of the device shown in FIG. 8;
FIG. 14 is a front view of the device shown in FIG. 8;
FIG. 15 is a perspective view of a second alternate embodi-
ment of the device of the present invention;
FIG. 16 is a rear view of the device shown in FIG. 15;
FIG. 17 is a right side view of the device shown in FIG. 15;
FIG. 18 is a left side view of the device shown in FIG. 15;
FIG. 19 is a bottom view of the device shown in FIG. 15;
FIG. 20 is a top view of the device shown in FIG. 15; and,
FIG. 21 is a front view of the device shown in FIG. 15.

1 Claim, 9 Drawing Sheets



(56)

References Cited

U.S. PATENT DOCUMENTS

D254,883 S * 5/1980 Jorda-Segui D6/445
D283,263 S * 4/1986 Richey D34/19
5,720,535 A * 2/1998 Mehman 312/219
6,871,921 B2 * 3/2005 Ernst 312/348.3

D523,607 S * 6/2006 Huguet D34/21
D574,628 S * 8/2008 Grela D6/445
D605,440 S * 12/2009 Rickard et al. D6/510
D665,230 S * 8/2012 Snider D7/600.1
D670,105 S * 11/2012 Jespersen D6/480
D704,480 S * 5/2014 Zambelli D6/661
D713,177 S * 9/2014 Litt D6/671.1

* cited by examiner

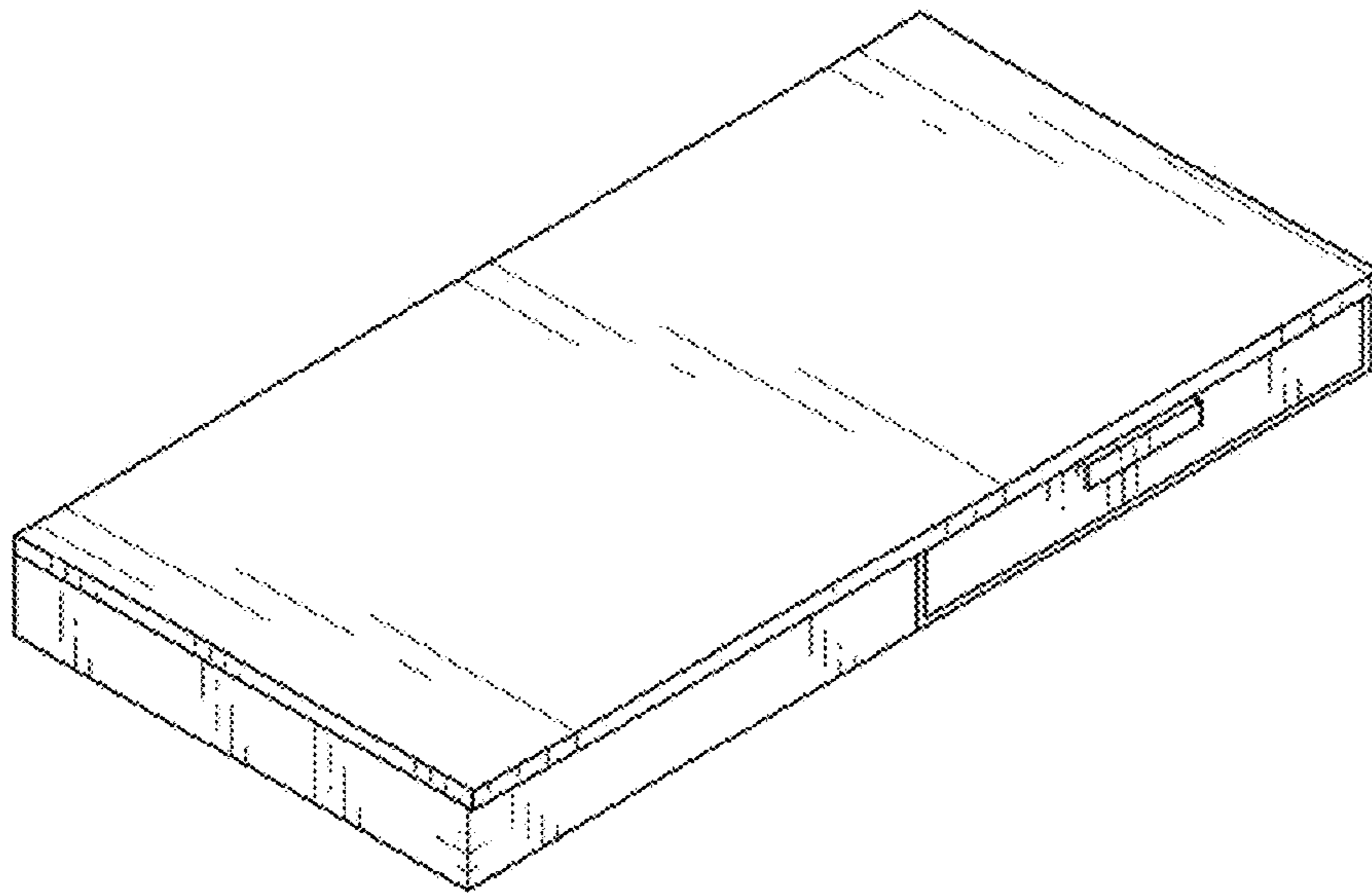


FIG. 1

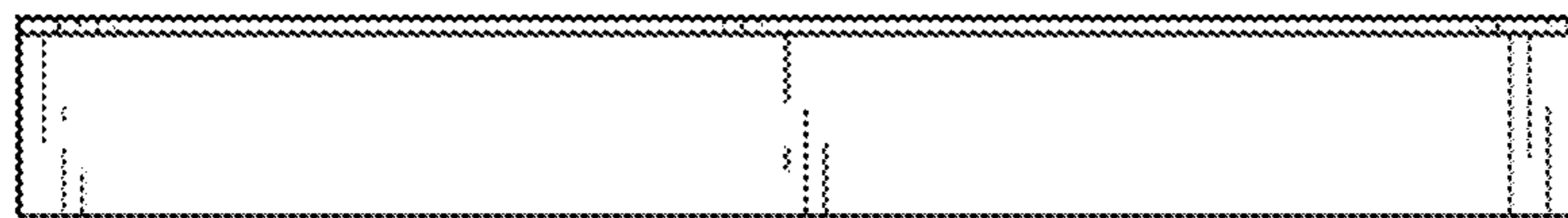


FIG. 2

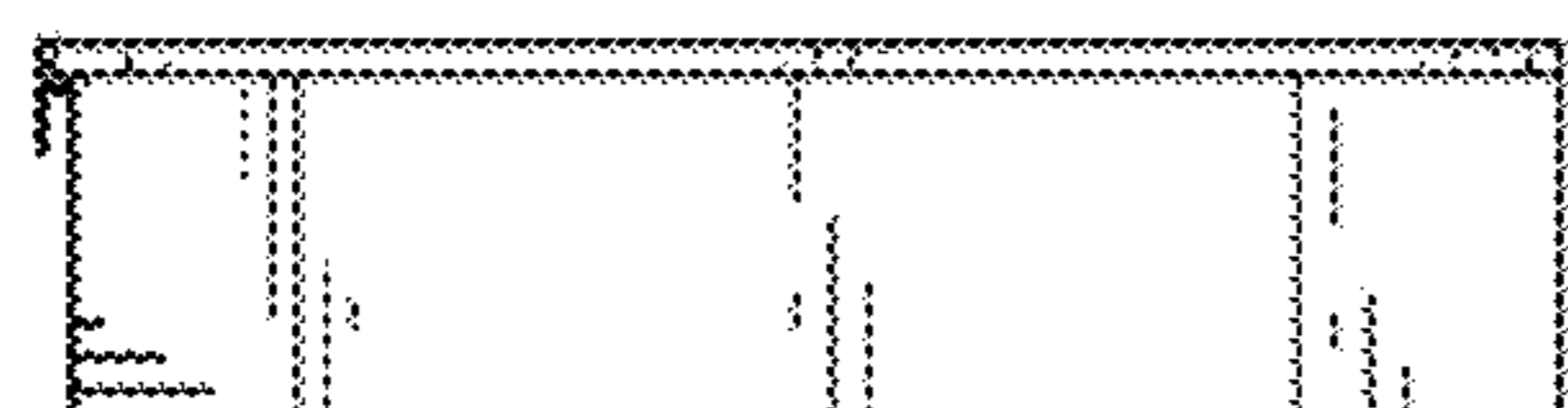


FIG. 3

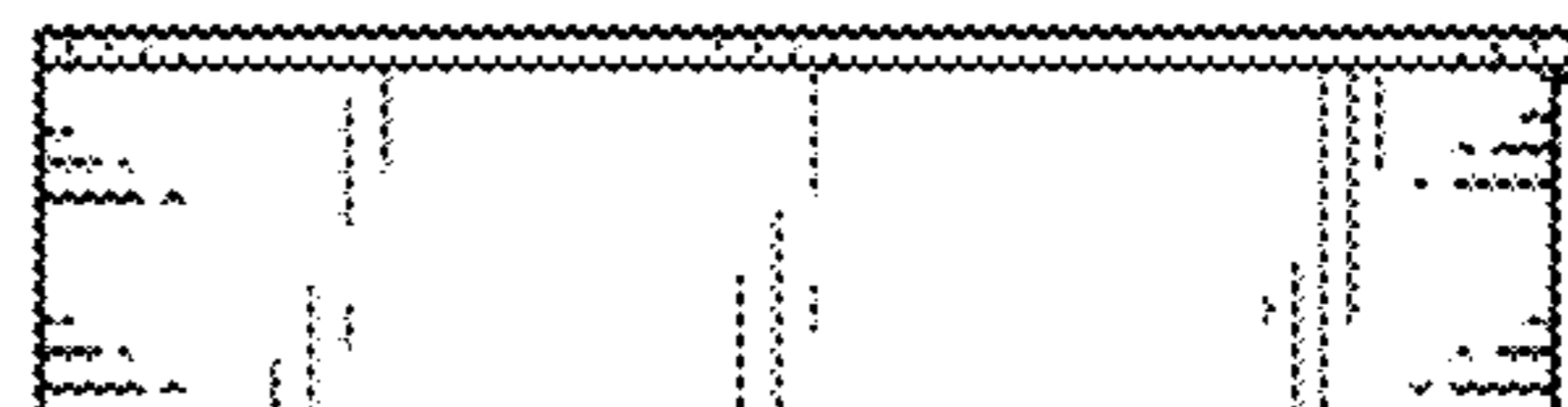


FIG. 4

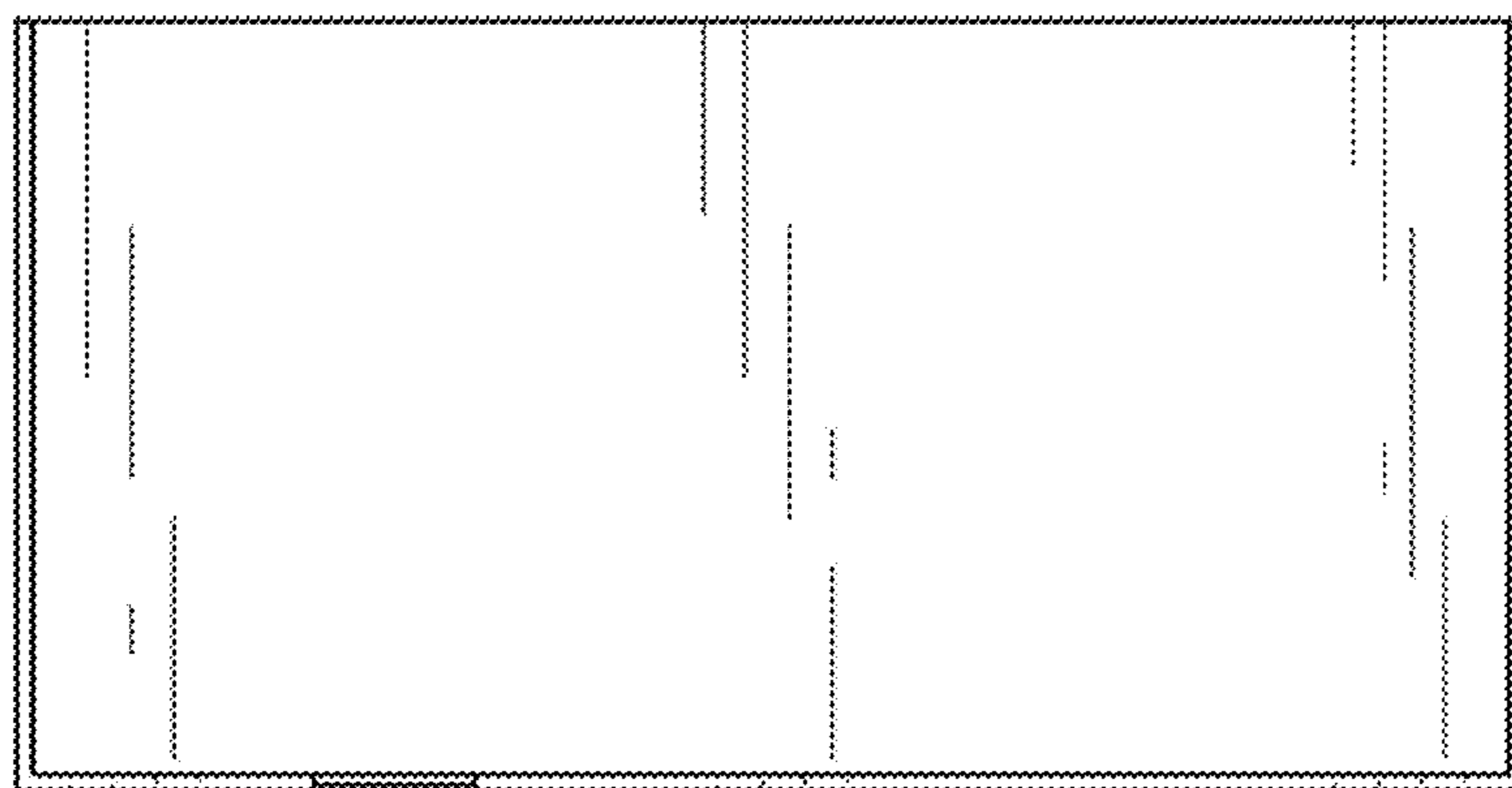


FIG. 5

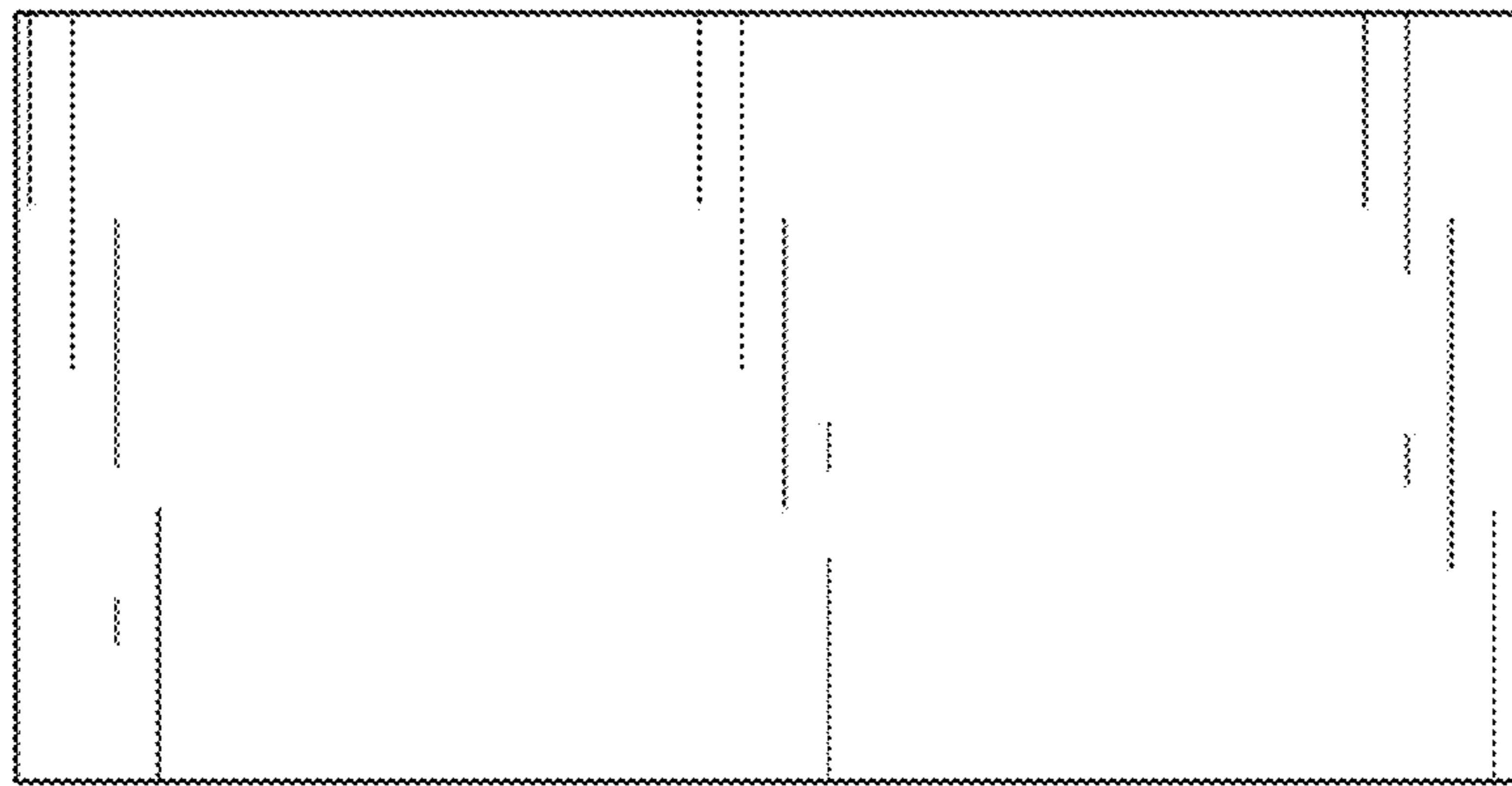


FIG. 6



FIG. 7

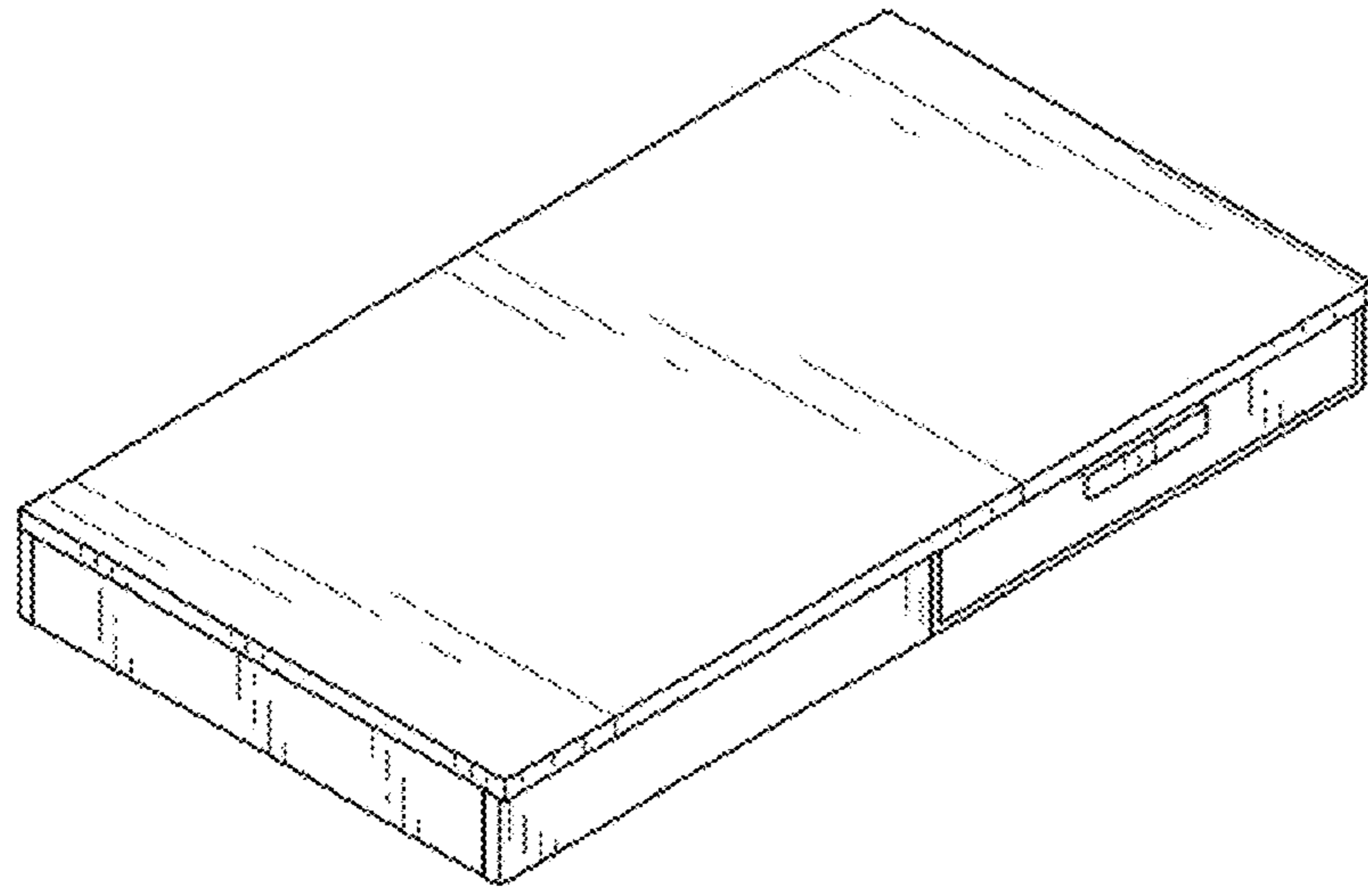


FIG. 8

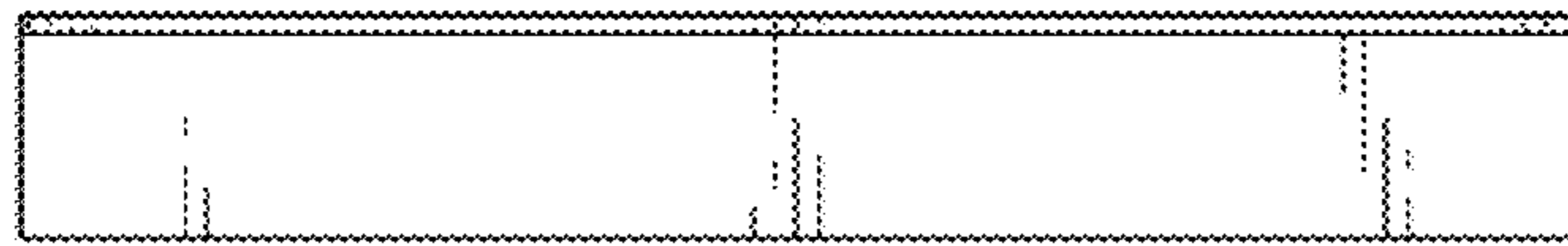


FIG. 9



FIG. 10

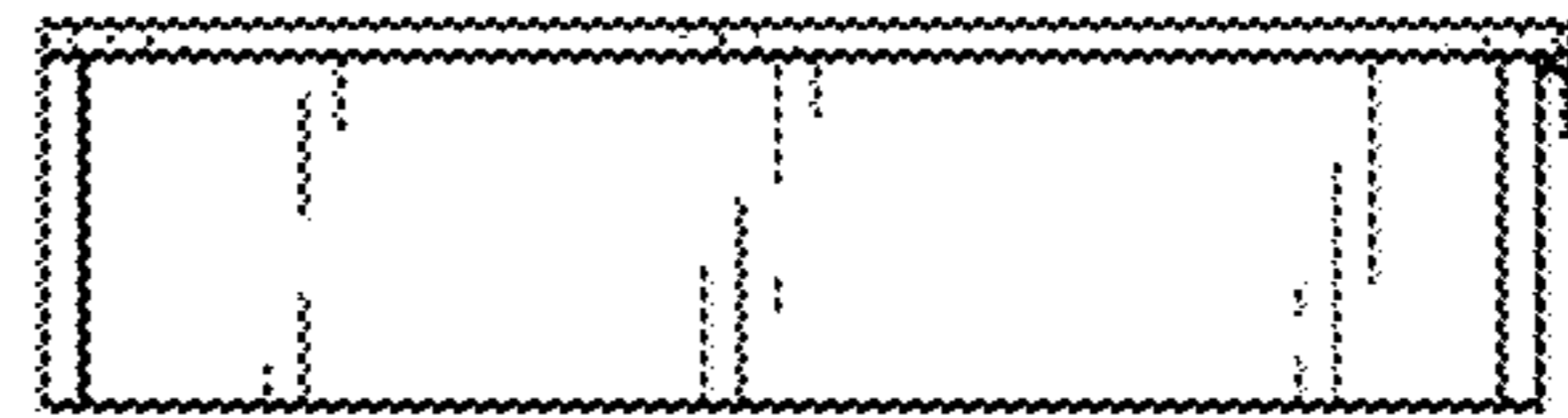


FIG. 11

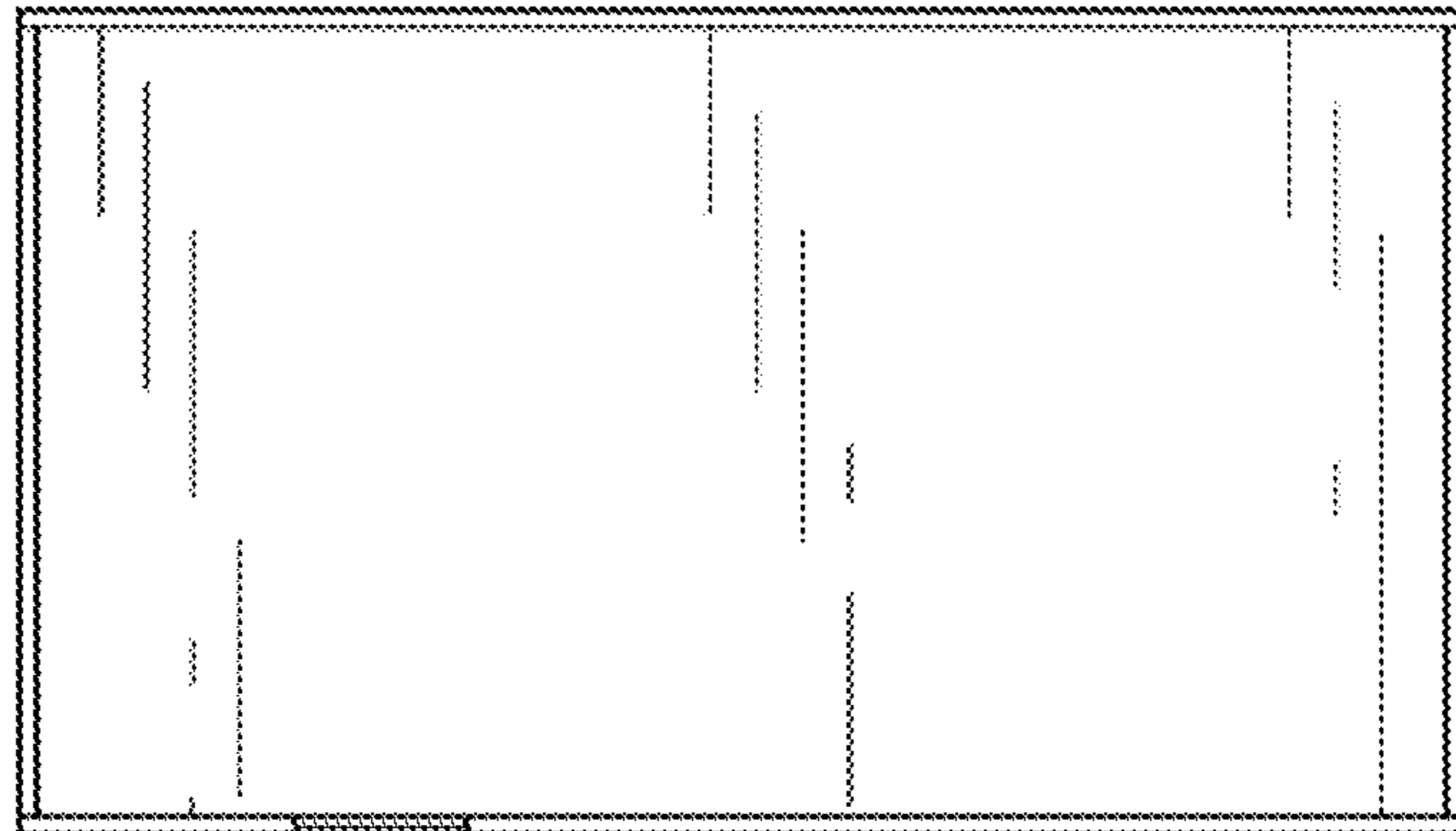


FIG. 12

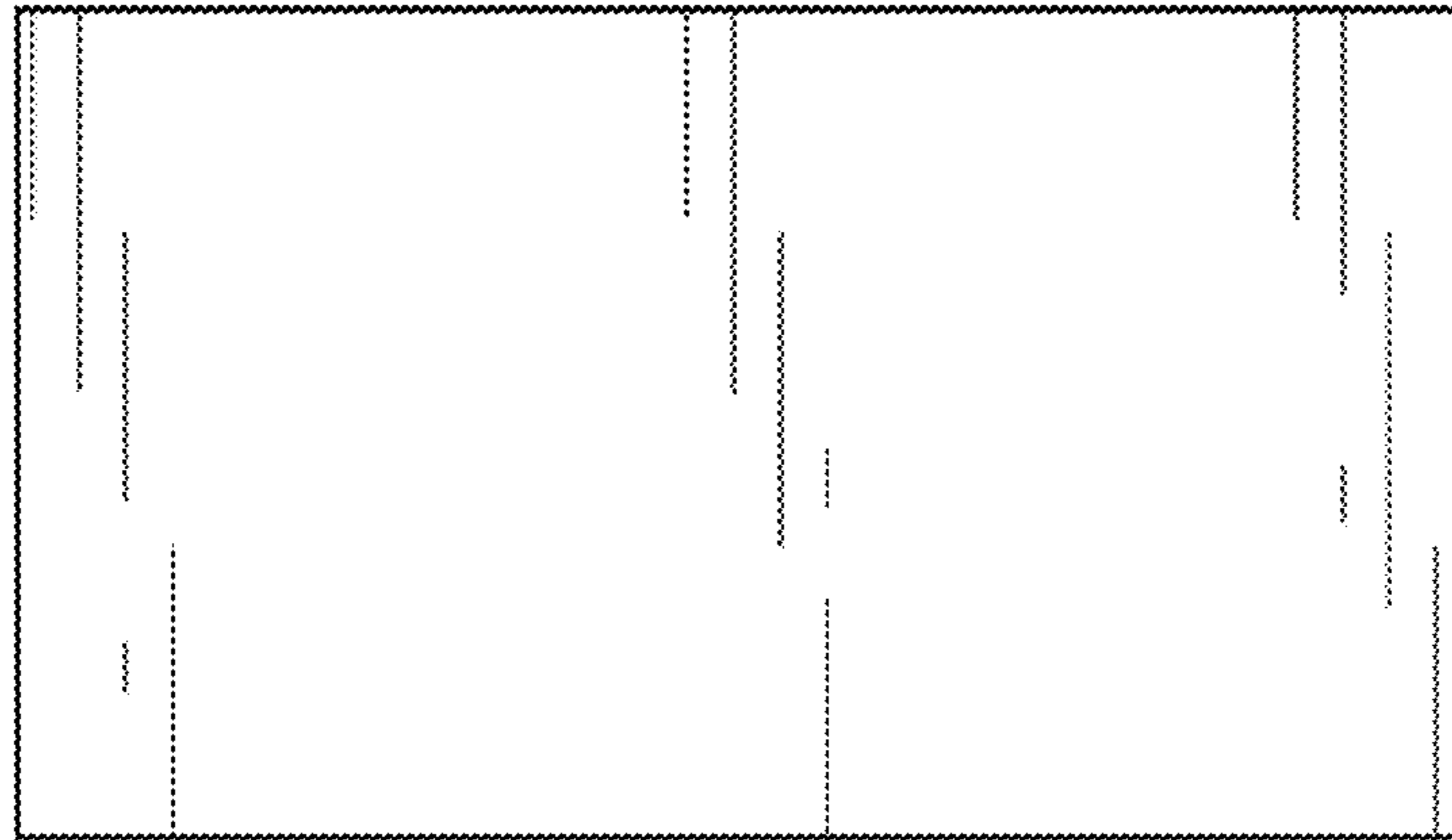


FIG. 13

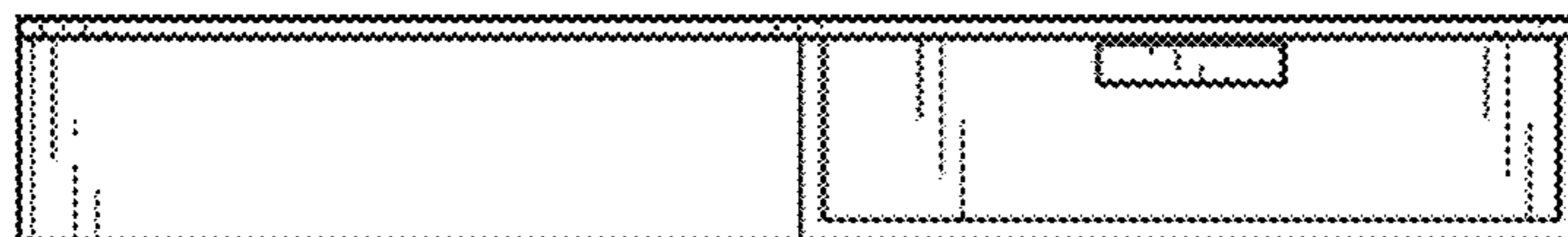


FIG. 14

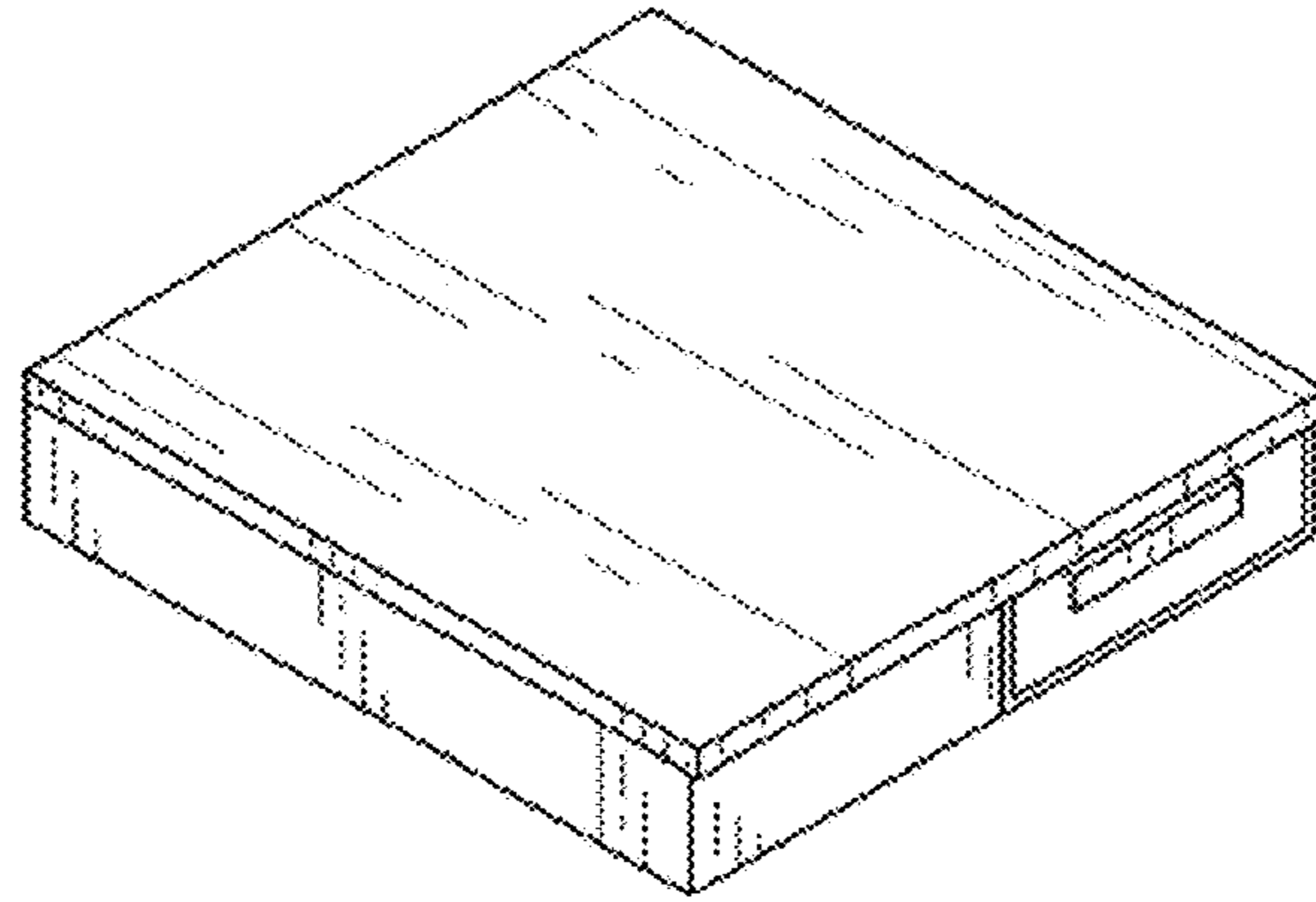


FIG. 15



FIG. 16



FIG. 17



FIG. 18

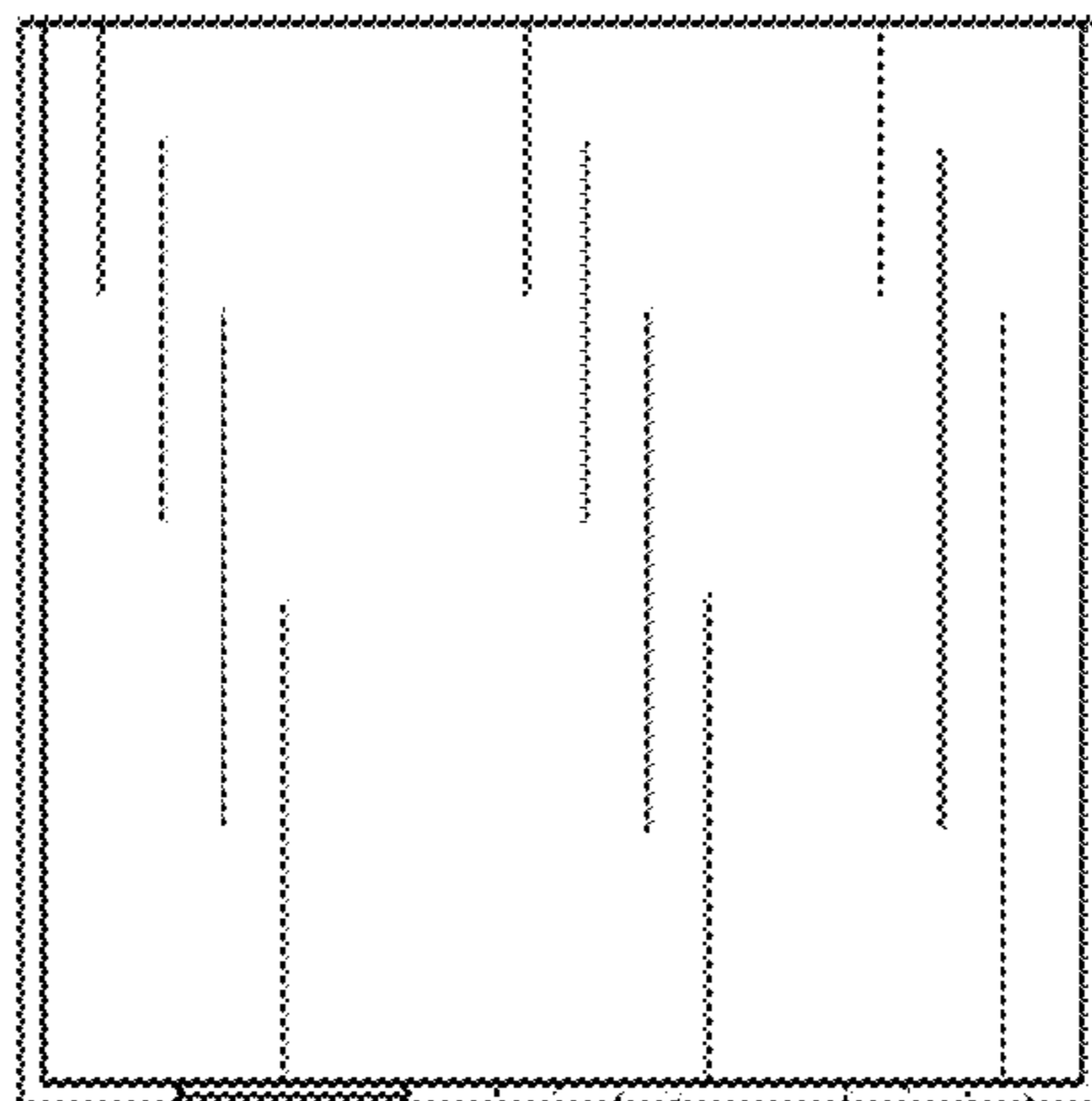


FIG. 19

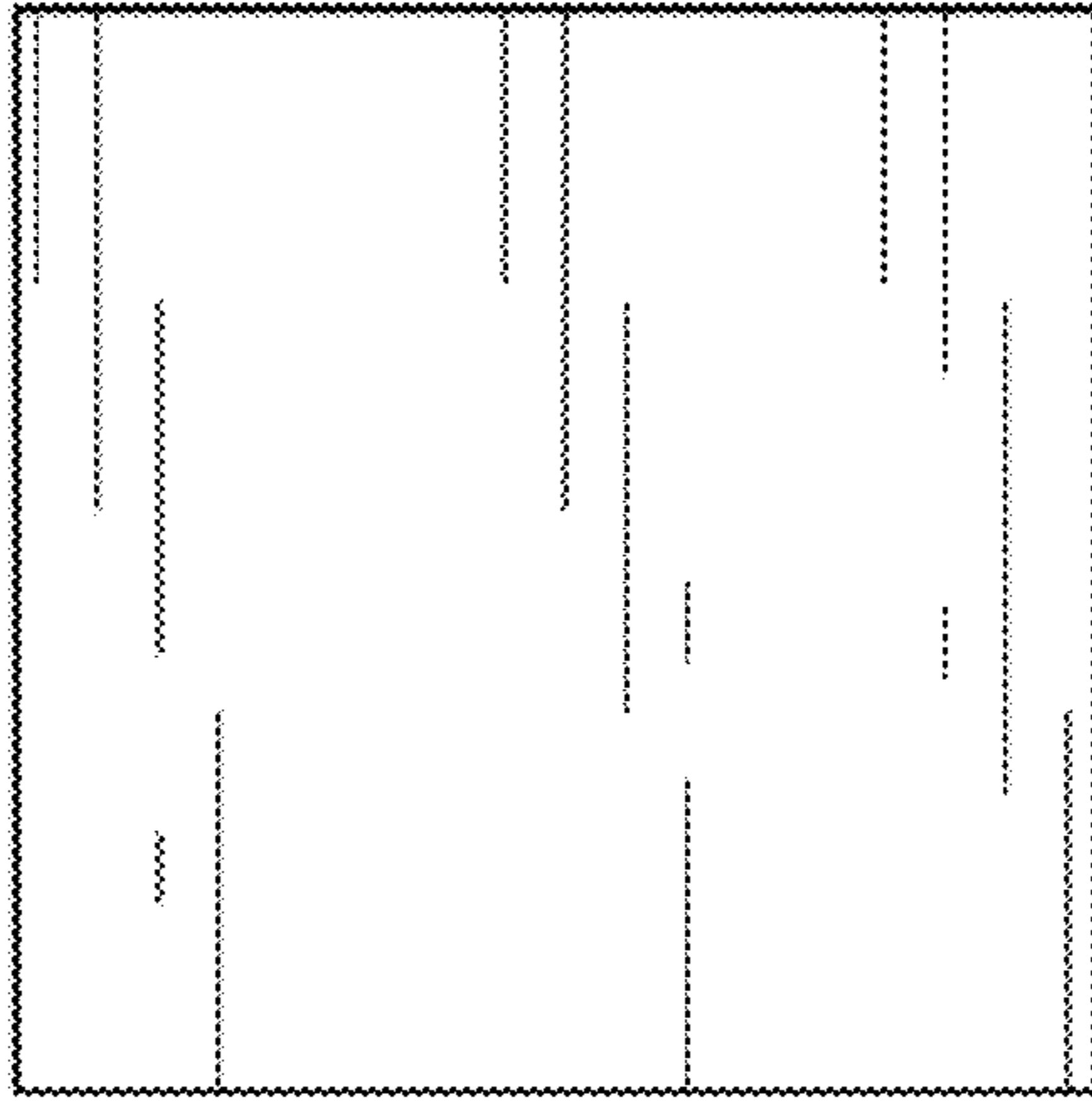


FIG. 20

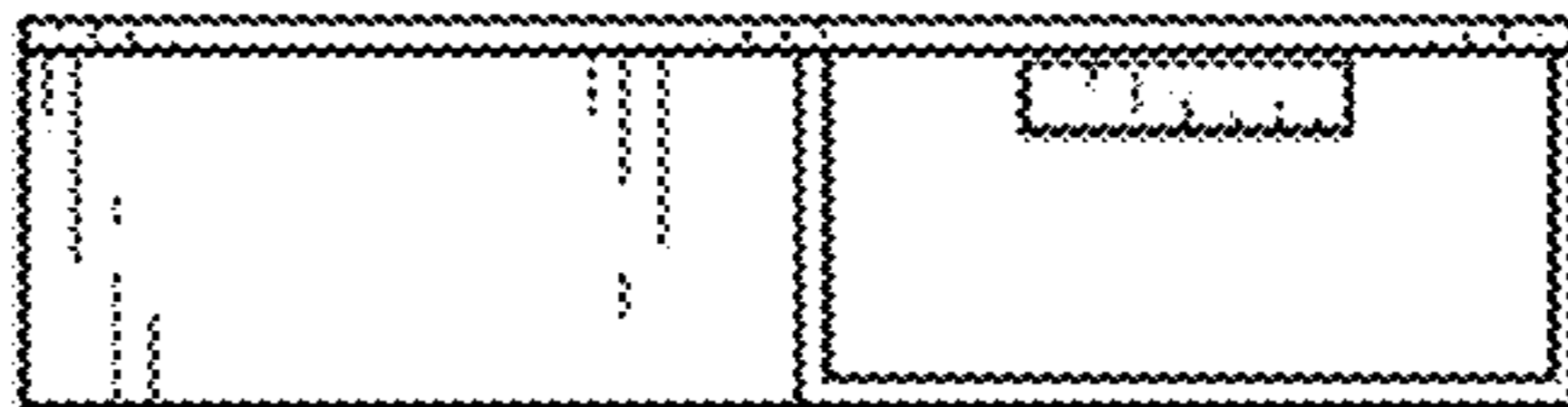


FIG. 21