



US00D725407S

(12) **United States Design Patent**
McCracken

(10) **Patent No.:** **US D725,407 S**
(45) **Date of Patent:** **** Mar. 31, 2015**

(54) **NECK PILLOW**

(71) Applicant: **Mark S. McCracken**, Midlothian, VA
(US)

(72) Inventor: **Mark S. McCracken**, Midlothian, VA
(US)

(**) Term: **14 Years**

(21) Appl. No.: **29/481,107**

(22) Filed: **Jan. 31, 2014**

(51) **LOC (10) Cl.** **06-09**

(52) **U.S. Cl.**
USPC **D6/601**

(58) **Field of Classification Search**
CPC A47G 9/10; A47G 9/1009; A47G 9/1018;
A47G 9/1027; A47G 9/1036; A47G 9/1045;
A47G 9/1063; A47G 9/1072; A47G 9/1081;
A47G 9/109

USPC D6/349, 375, 512, 595, 596, 601, 604,
D6/611, 715, 716, 716.1; D21/803, 804,
D21/805, 809; D24/183–185, 234; 5/401,
5/417, 419, 420, 600, 625, 630–636, 638,
5/639, 646, 652, 653, 655, 655.4, 690,
5/703, 730, 933, 946, 947; 128/202.18,
128/845; 297/180.11, 393, 397, 452.26,
297/452.48, 452.62, 482; 441/127; 602/13

See application file for complete search history.

(56) **References Cited**

U.S. PATENT DOCUMENTS

3,604,023	A *	9/1971	Lynch	5/650
4,681,309	A *	7/1987	Lechner	5/646
D311,109	S *	10/1990	Geschwender	D6/601
D327,718	S *	7/1992	Kofler	D21/786
6,061,854	A *	5/2000	Crowley	5/655
D539,066	S *	3/2007	Coquillet	D6/601
D613,987	S *	4/2010	Heeter	D6/601
D639,101	S *	6/2011	Kalatsky	D6/601
D701,063	S *	3/2014	Myers	D6/601
2013/0232693	A1 *	9/2013	Myers	5/636
2013/0326815	A1 *	12/2013	Smart-Thomas	5/636
2014/0075676	A1 *	3/2014	Cho	5/640
2014/0305441	A1 *	10/2014	Porter	128/845
2014/0345055	A1 *	11/2014	Li	5/630

* cited by examiner

Primary Examiner — Mary Ann Calabrese
Assistant Examiner — Jennifer L Rempfer
(74) *Attorney, Agent, or Firm* — Brian J. Teague

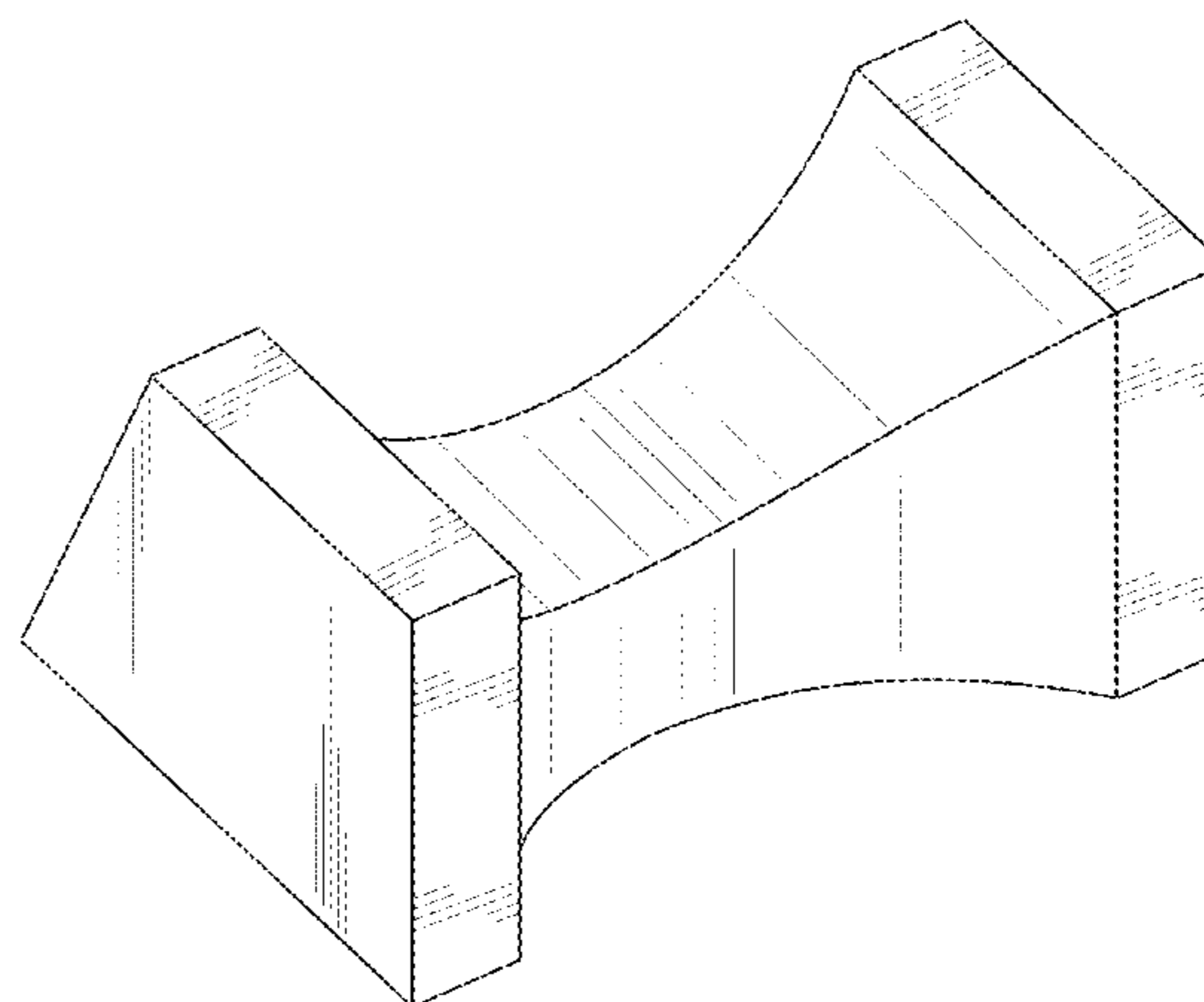
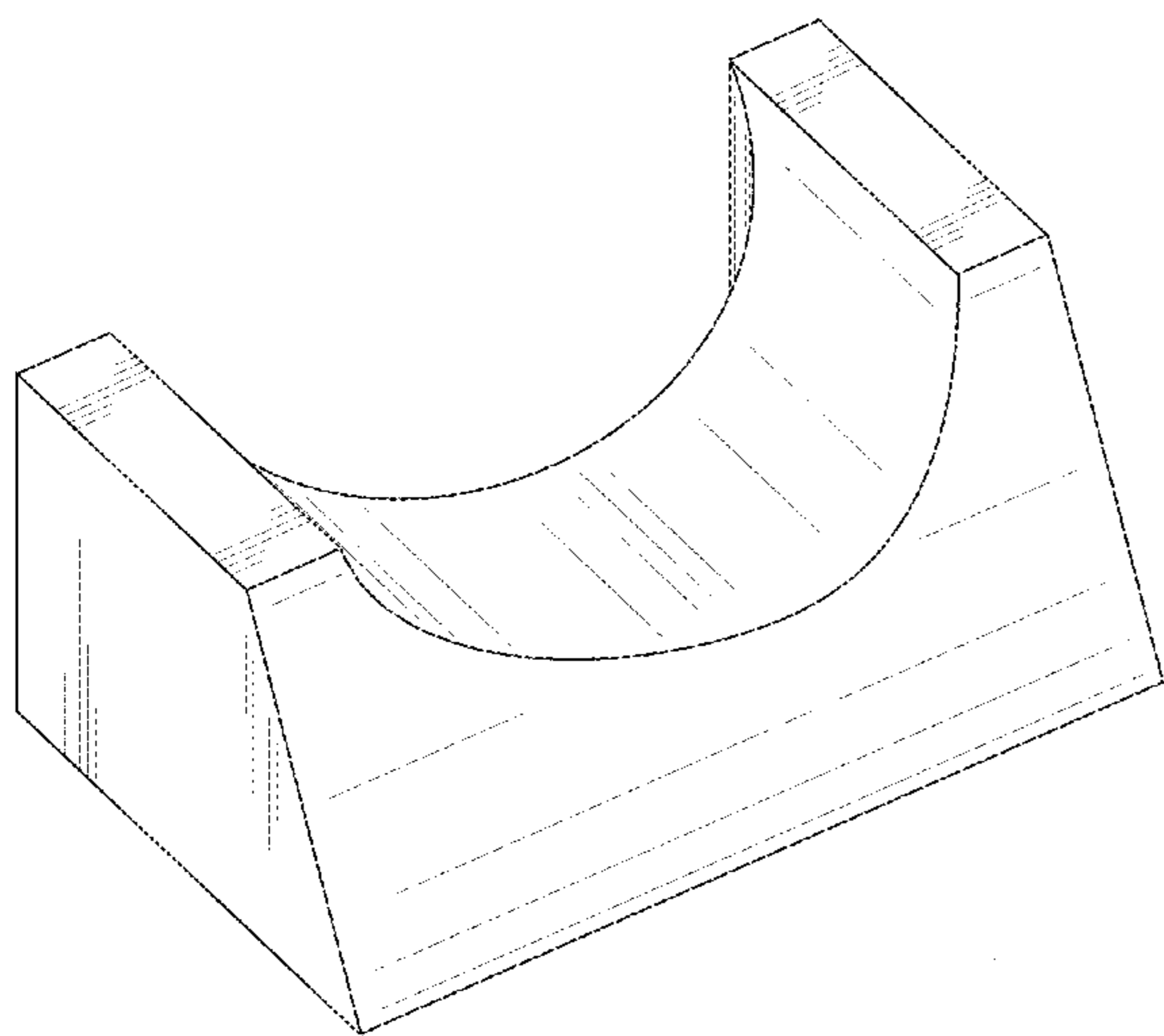
(57) **CLAIM**

I claim the ornamental design for a neck pillow, as shown and described.

DESCRIPTION

FIG. 1 is a perspective view from the front and top of a neck pillow showing the new design.
FIG. 2 is a perspective view from the rear and top thereof.
FIG. 3 is a front view thereof.
FIG. 4 is a rear view thereof.
FIG. 5 is a left side view thereof.
FIG. 6 is a right side view thereof.
FIG. 7 is a top view thereof; and,
FIG. 8 is a bottom view thereof.

1 Claim, 7 Drawing Sheets



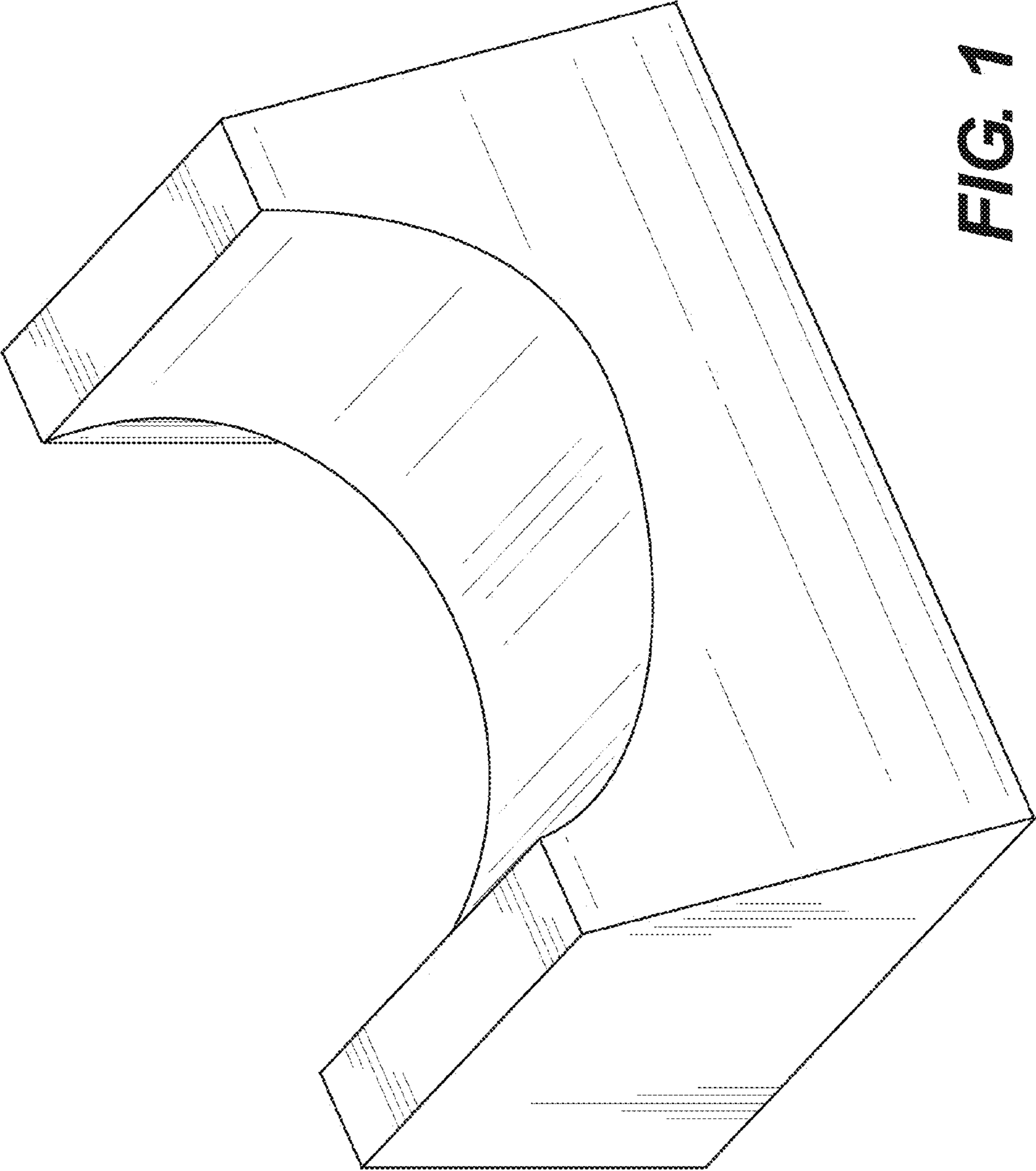


FIG. 1

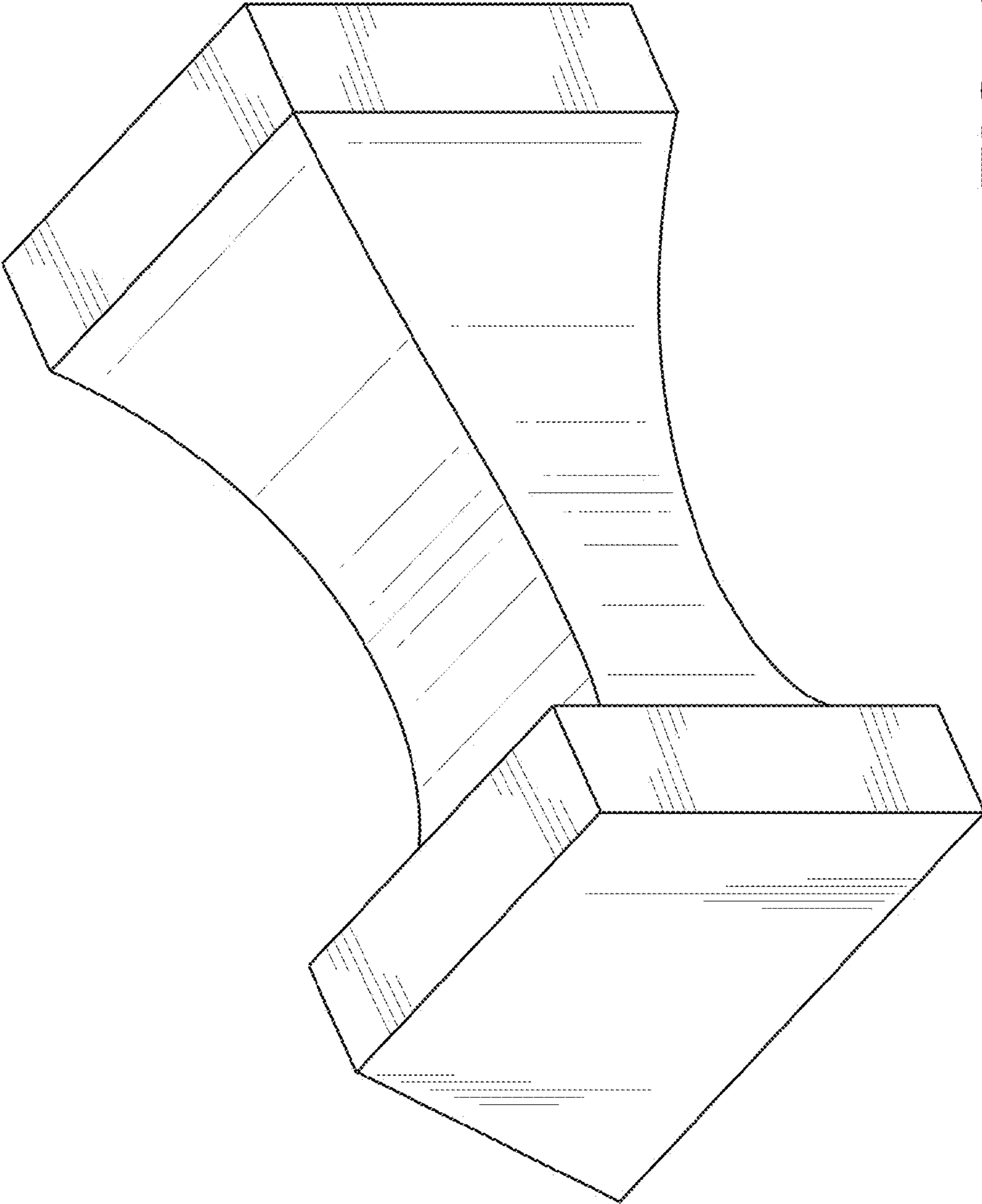


FIG. 2

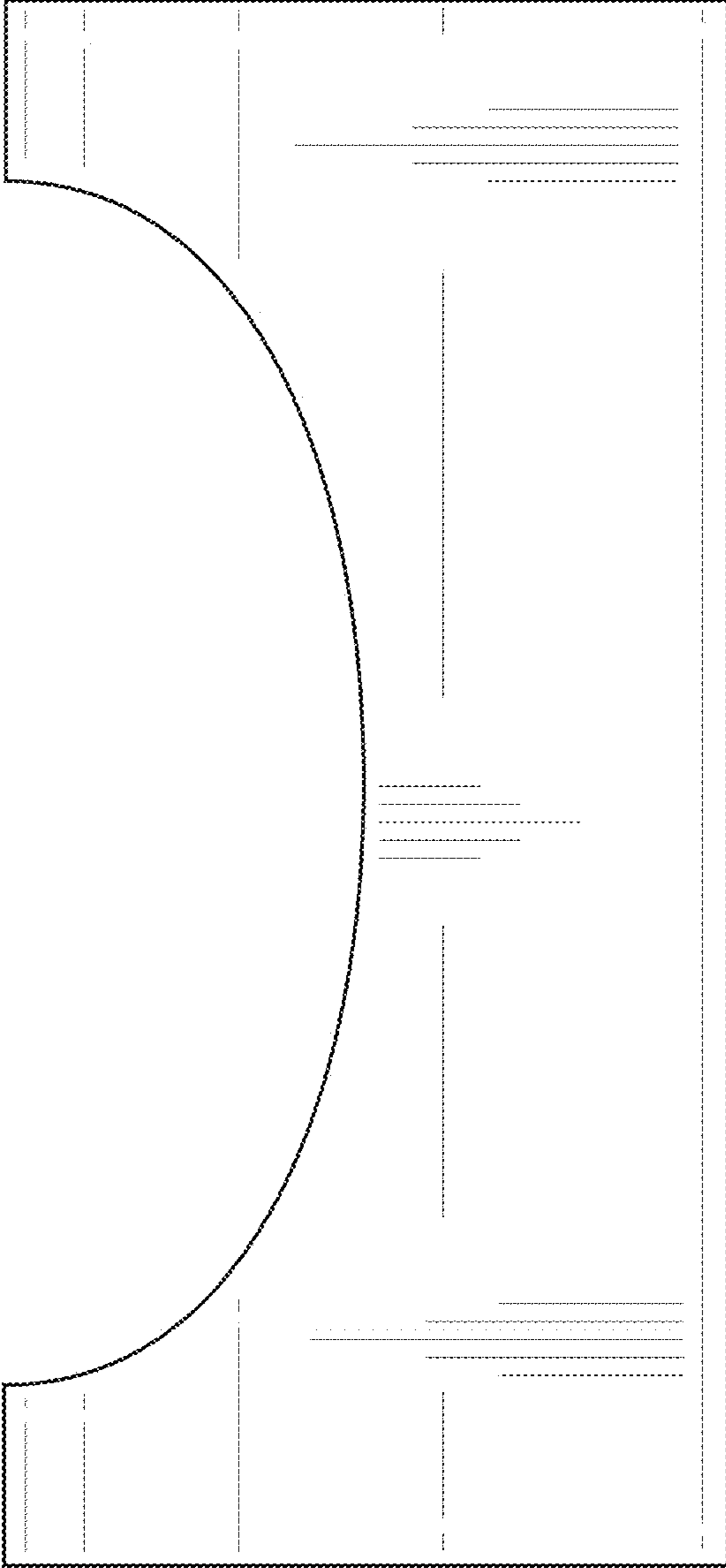


FIG. 3

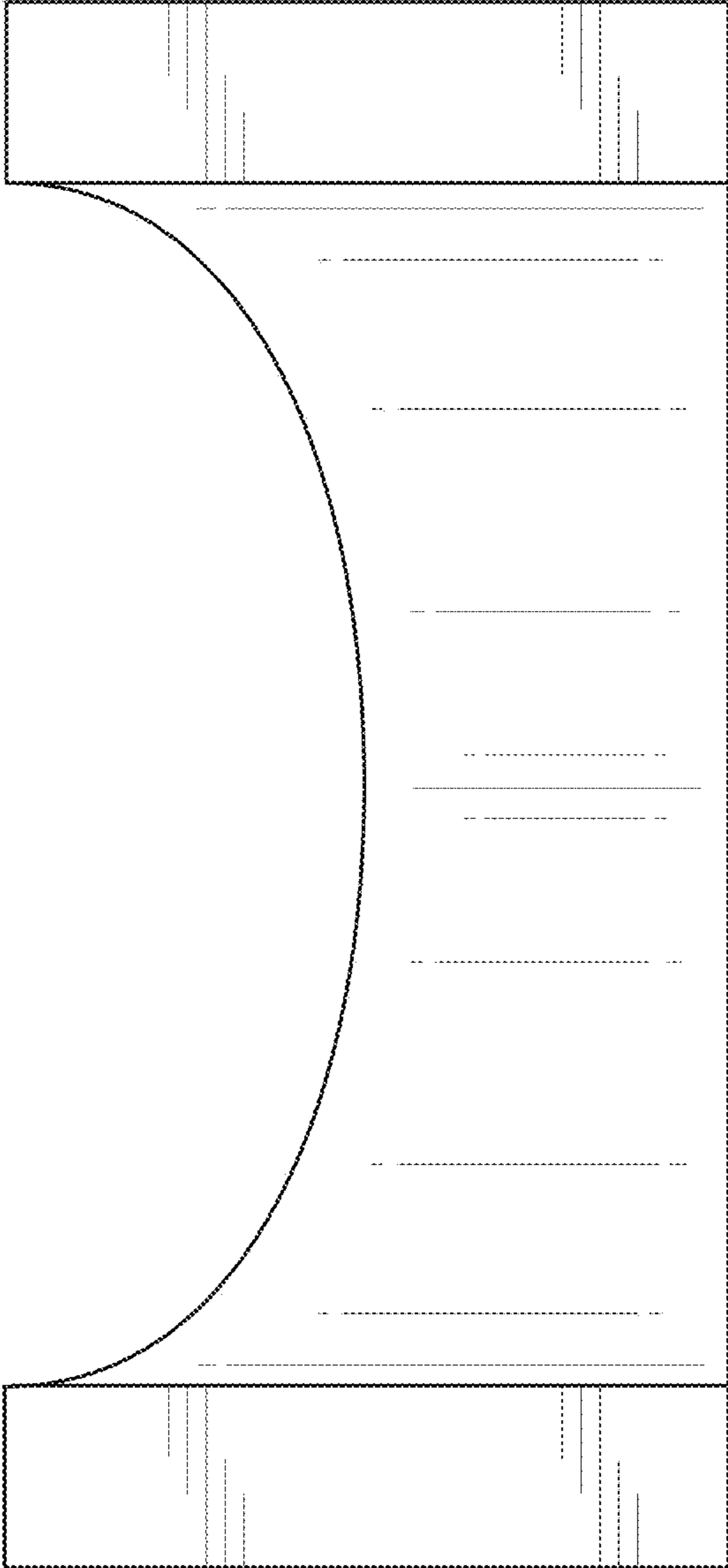


FIG. 4

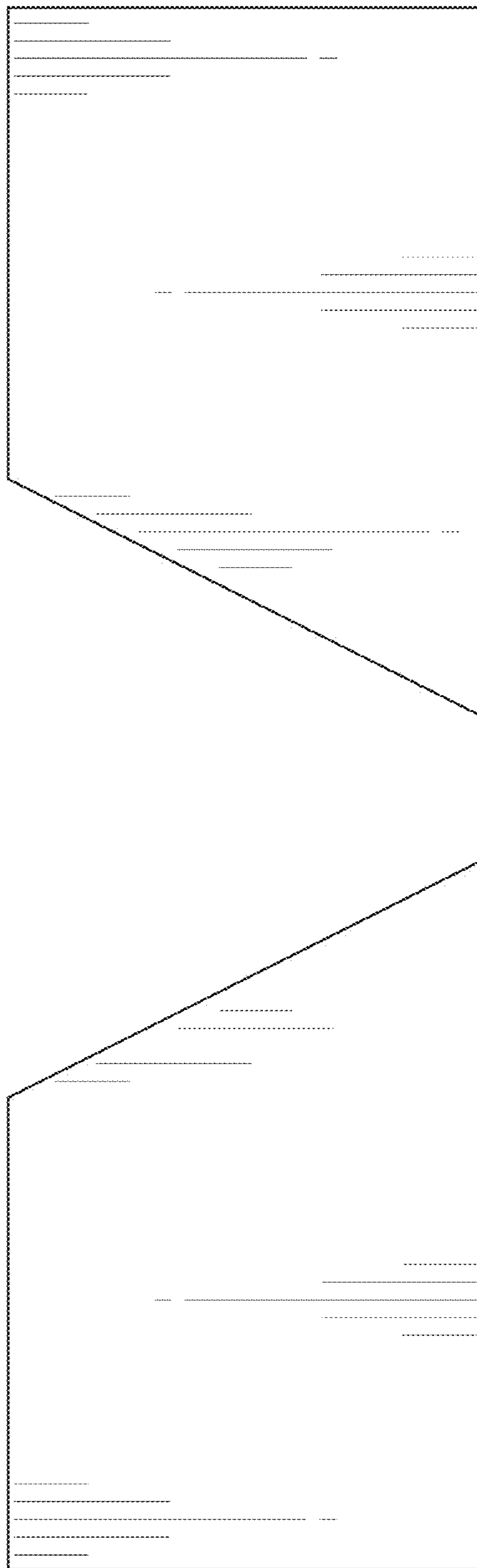


FIG. 6

FIG. 5

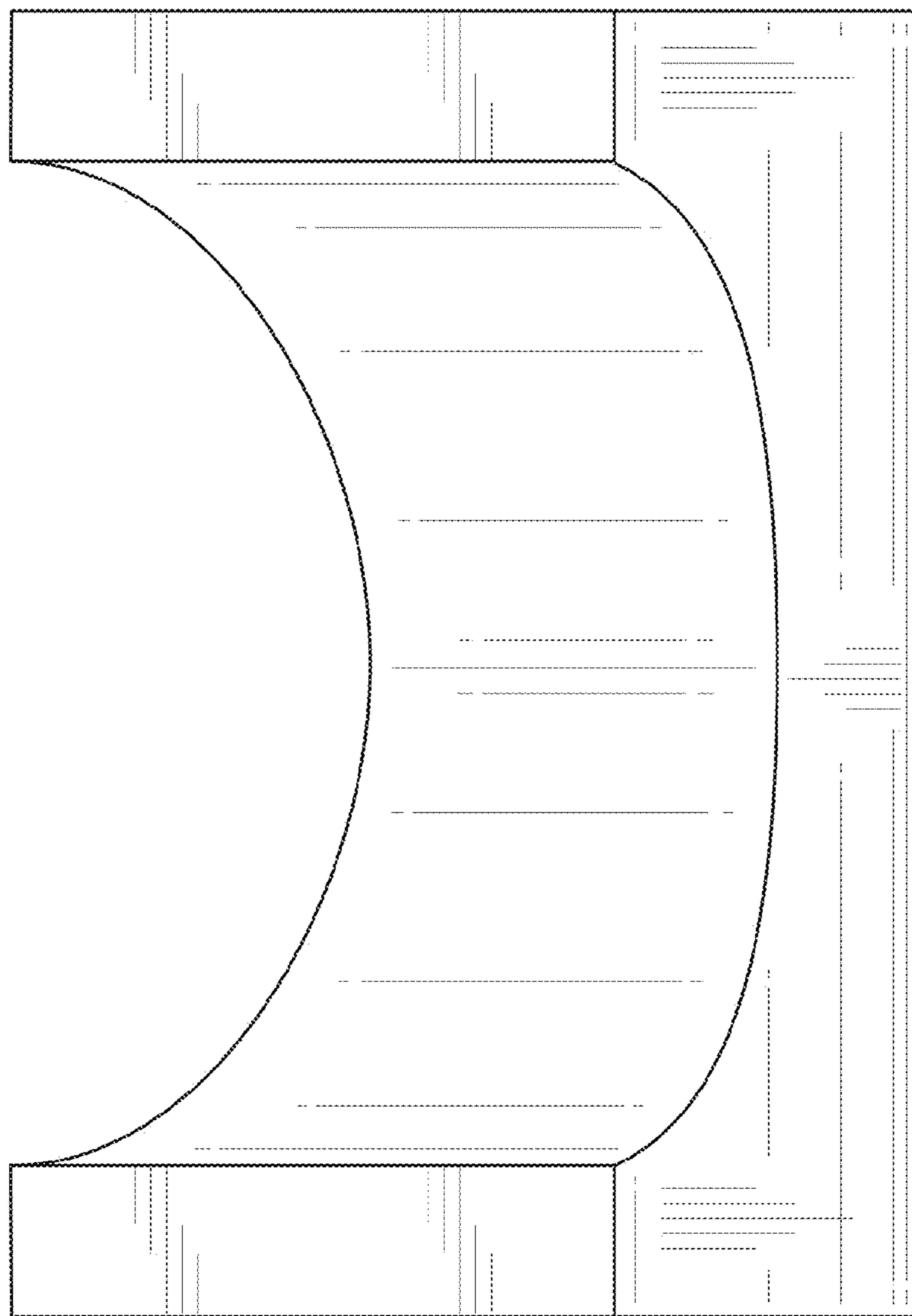


FIG. 7

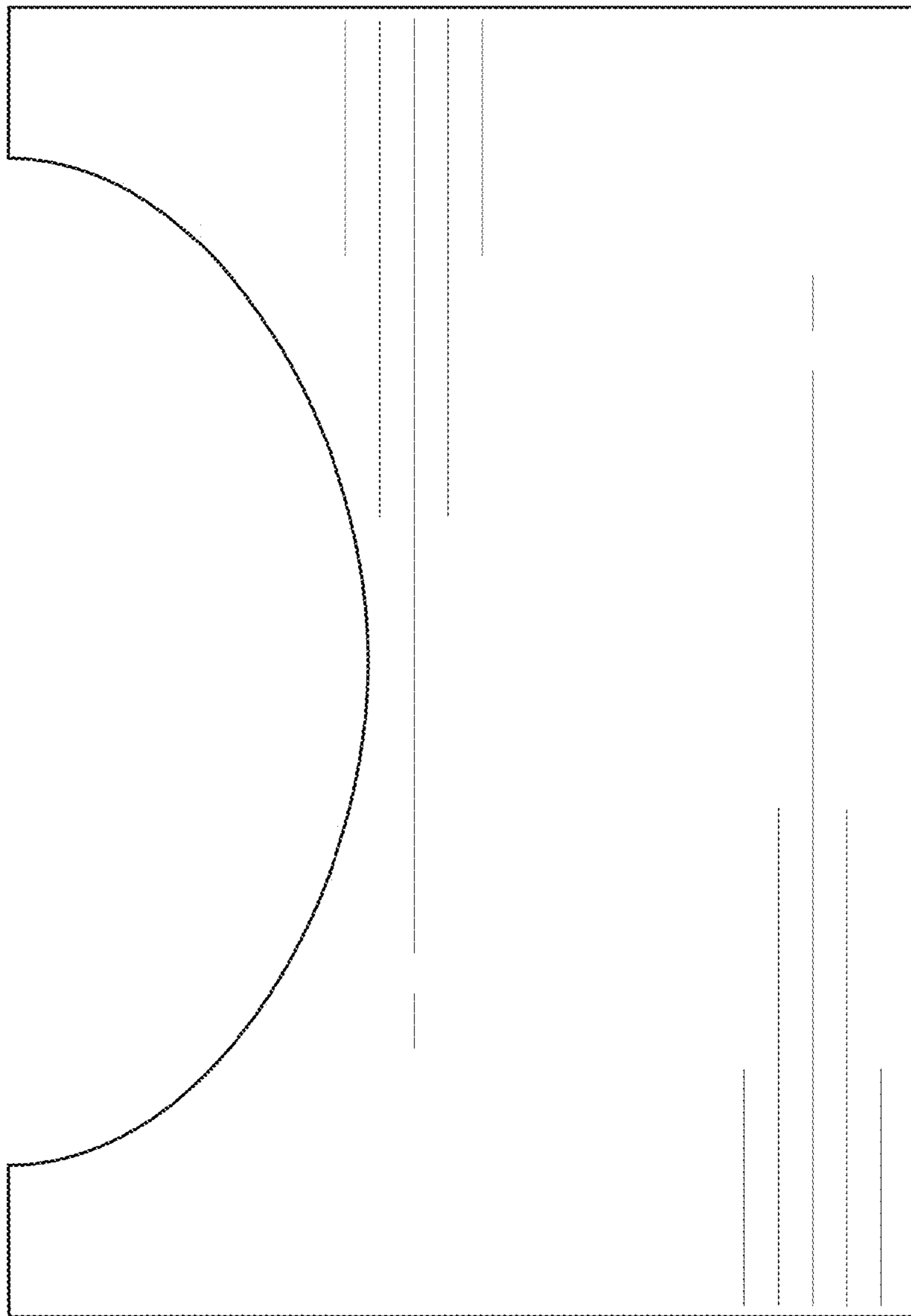


FIG. 8