



US00D725406S

(12) **United States Design Patent**  
**Olszewski**

(10) **Patent No.:** **US D725,406 S**

(45) **Date of Patent:** **\*\* Mar. 31, 2015**

(54) **TOOL RACK**

(71) Applicant: **Michael Stanley Olszewski**, Canton, MI  
(US)

(72) Inventor: **Michael Stanley Olszewski**, Canton, MI  
(US)

(\*\*) Term: **14 Years**

(21) Appl. No.: **29/503,375**

(22) Filed: **Sep. 25, 2014**

(51) **LOC (10) Cl.** ..... **06-04**

(52) **U.S. Cl.**  
USPC ..... **D6/567**

(58) **Field of Classification Search**  
USPC ..... D6/553, 567, 574, 512, 524; 211/13.1,  
211/60.1, 60.9, 69.1, 69.5, 70.1, 70.6,  
211/71.01; 248/309.1, 309.2, 310, 314  
See application file for complete search history.

(56) **References Cited**

**U.S. PATENT DOCUMENTS**

D310,762 S \* 9/1990 Embree et al. .... D6/569  
D392,142 S \* 3/1998 Weisburn et al. .... D6/567

D394,775 S \* 6/1998 Anderson et al. .... D6/574  
D458,070 S \* 6/2002 Bennett et al. .... D6/567  
D524,146 S \* 7/2006 Jolson ..... D6/567  
D575,972 S \* 9/2008 Shiao ..... D6/567  
D602,724 S \* 10/2009 Liu ..... D6/567

\* cited by examiner

*Primary Examiner* — Brian N Vinson

(74) *Attorney, Agent, or Firm* — Jelic Patent Services, LLC;  
Stanley E. Jelic

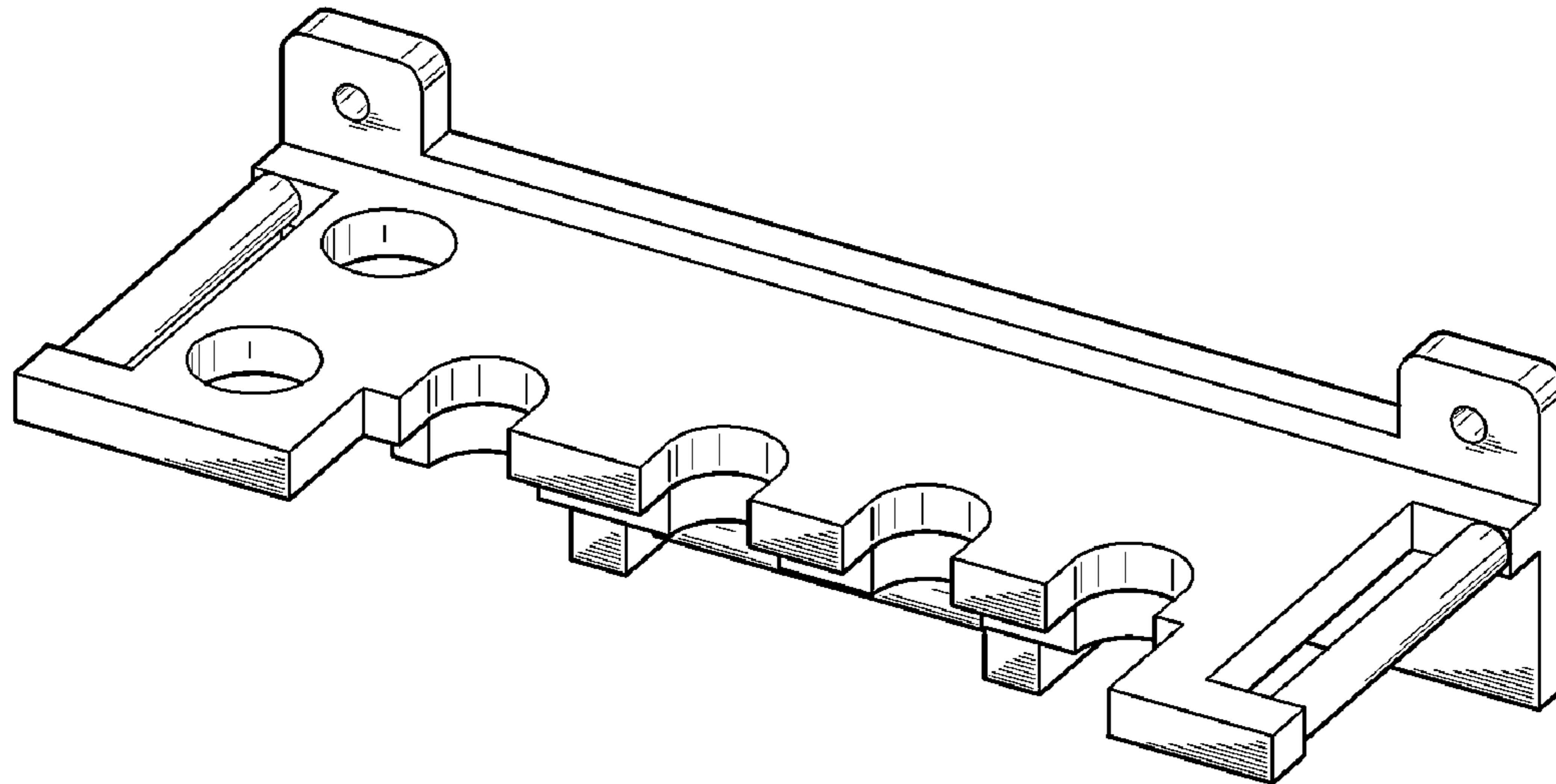
(57) **CLAIM**

The ornamental design for a tool rack, as shown and described.

**DESCRIPTION**

FIG. 1 is a perspective top view of a tool rack embodiment;  
FIG. 2 is a front view thereof;  
FIG. 3 is a top view thereof;  
FIG. 4 is a bottom view thereof;  
FIG. 5 is a left-side view thereof;  
FIG. 6 is a right-side view thereof;  
FIG. 7 is a back view thereof; and,  
FIG. 8 is a perspective back view thereof.

**1 Claim, 3 Drawing Sheets**



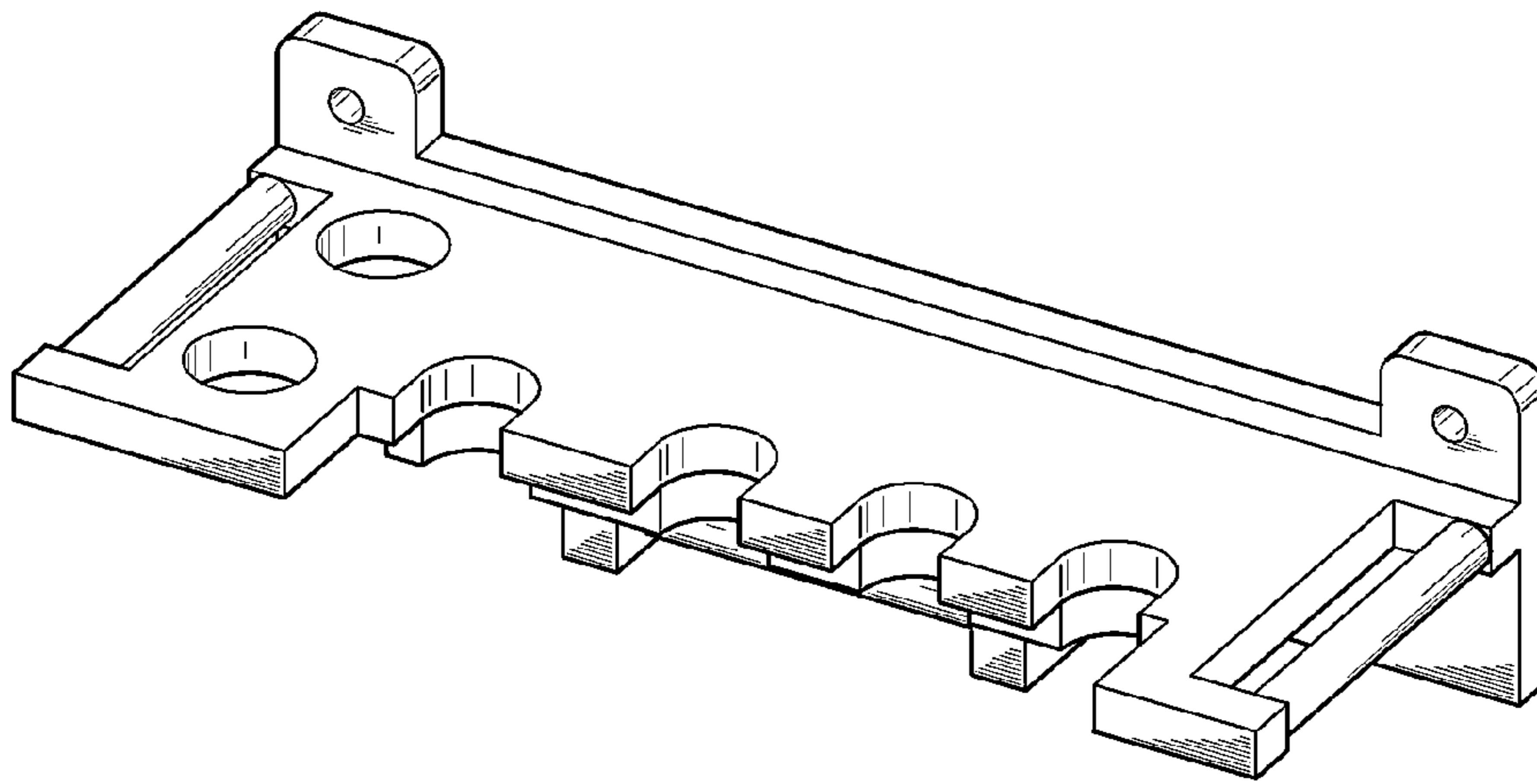


FIG. 1



FIG. 2

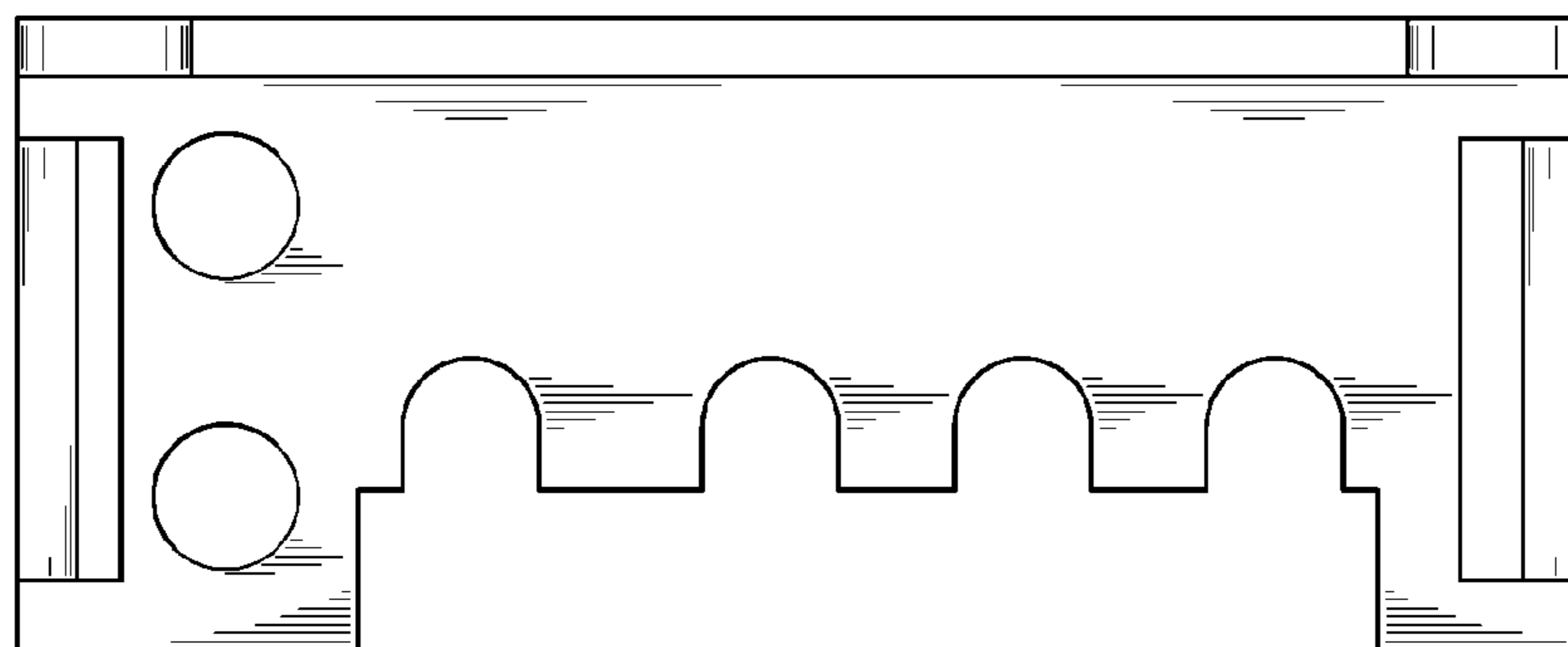
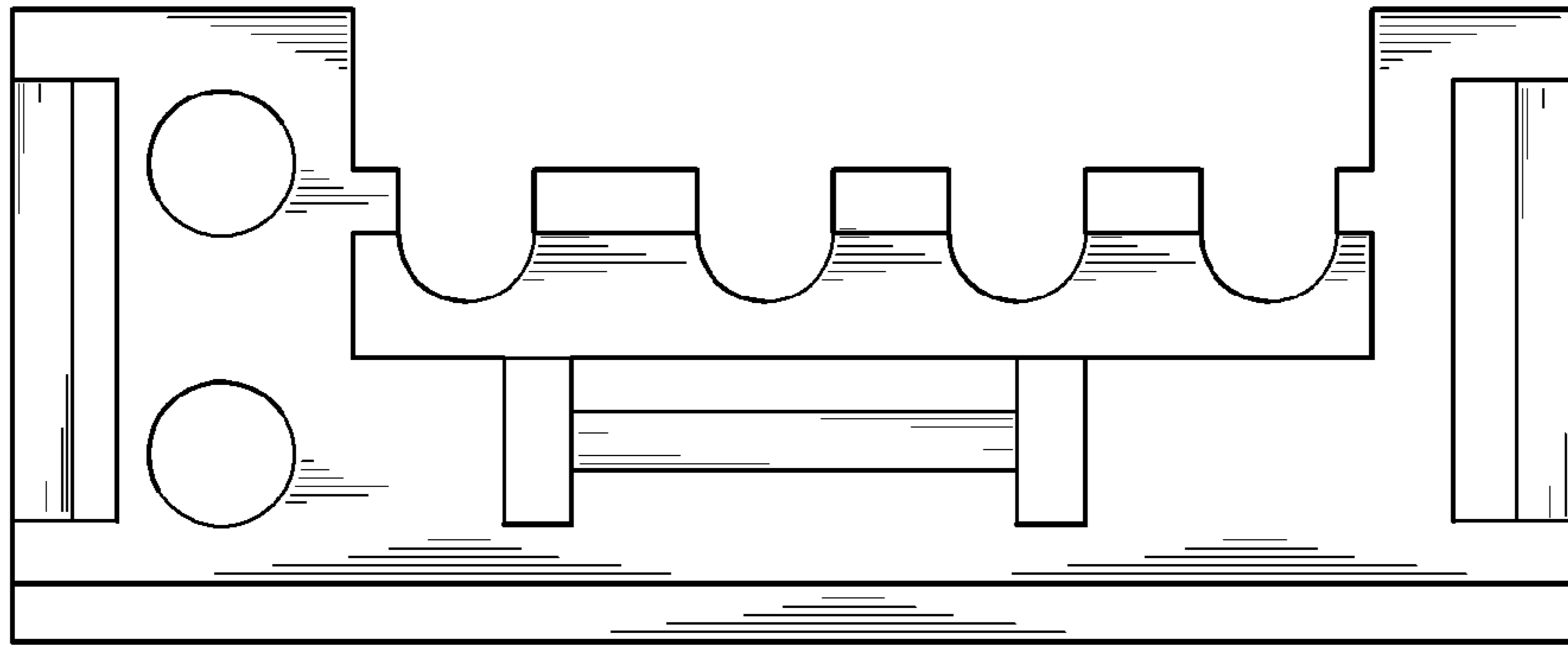
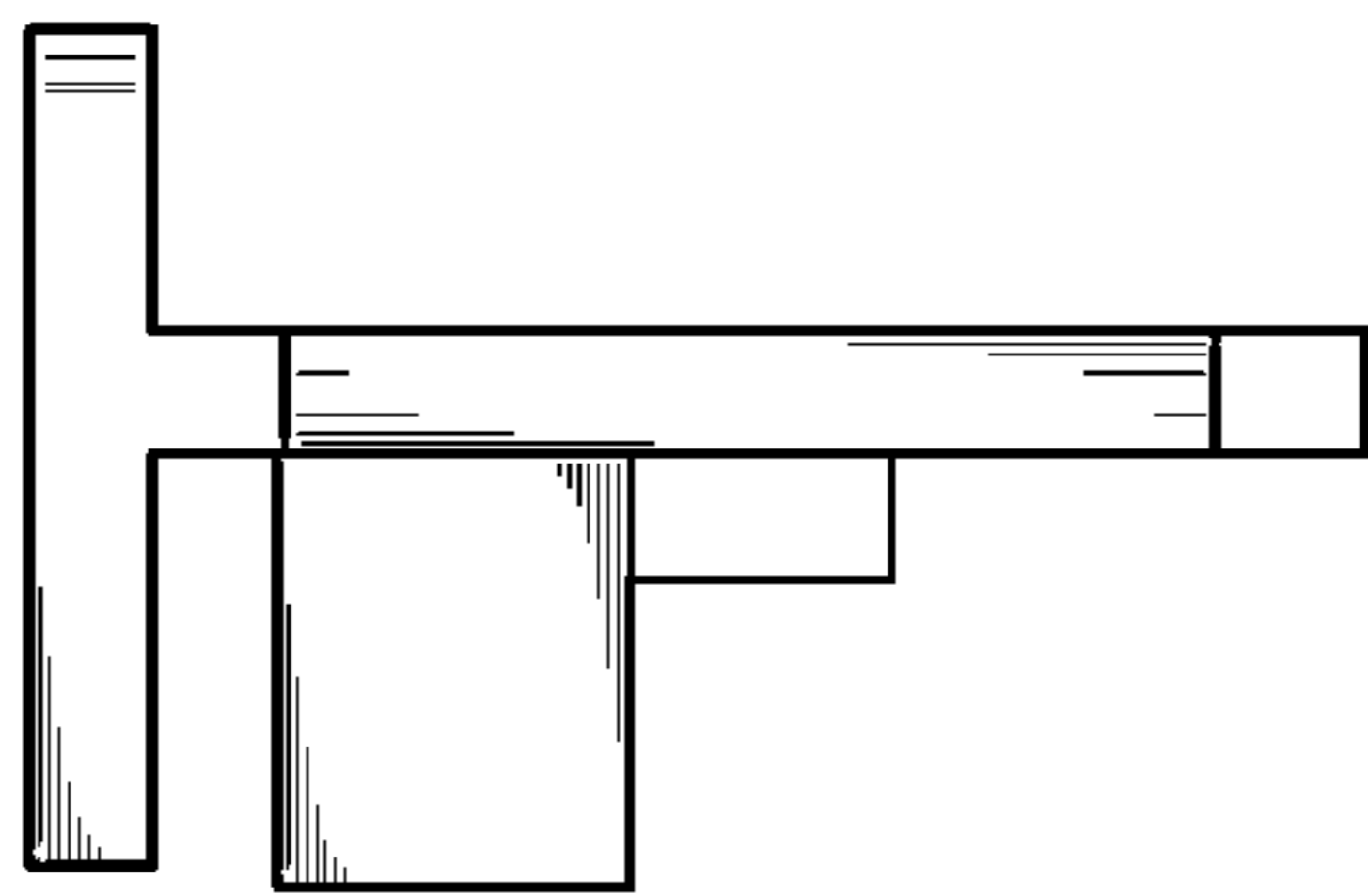


FIG. 3



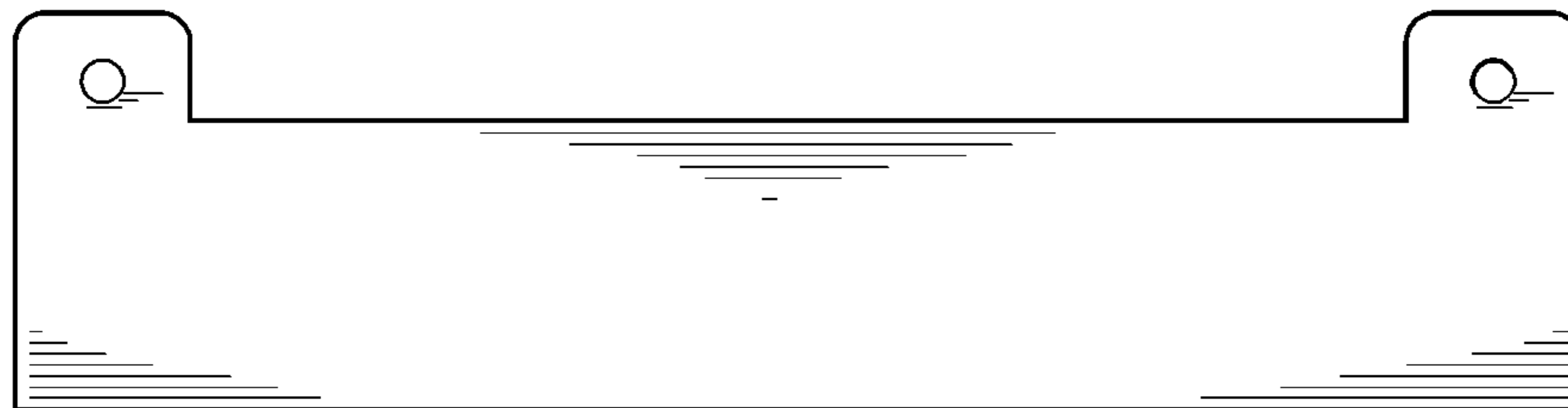
**FIG. 4**



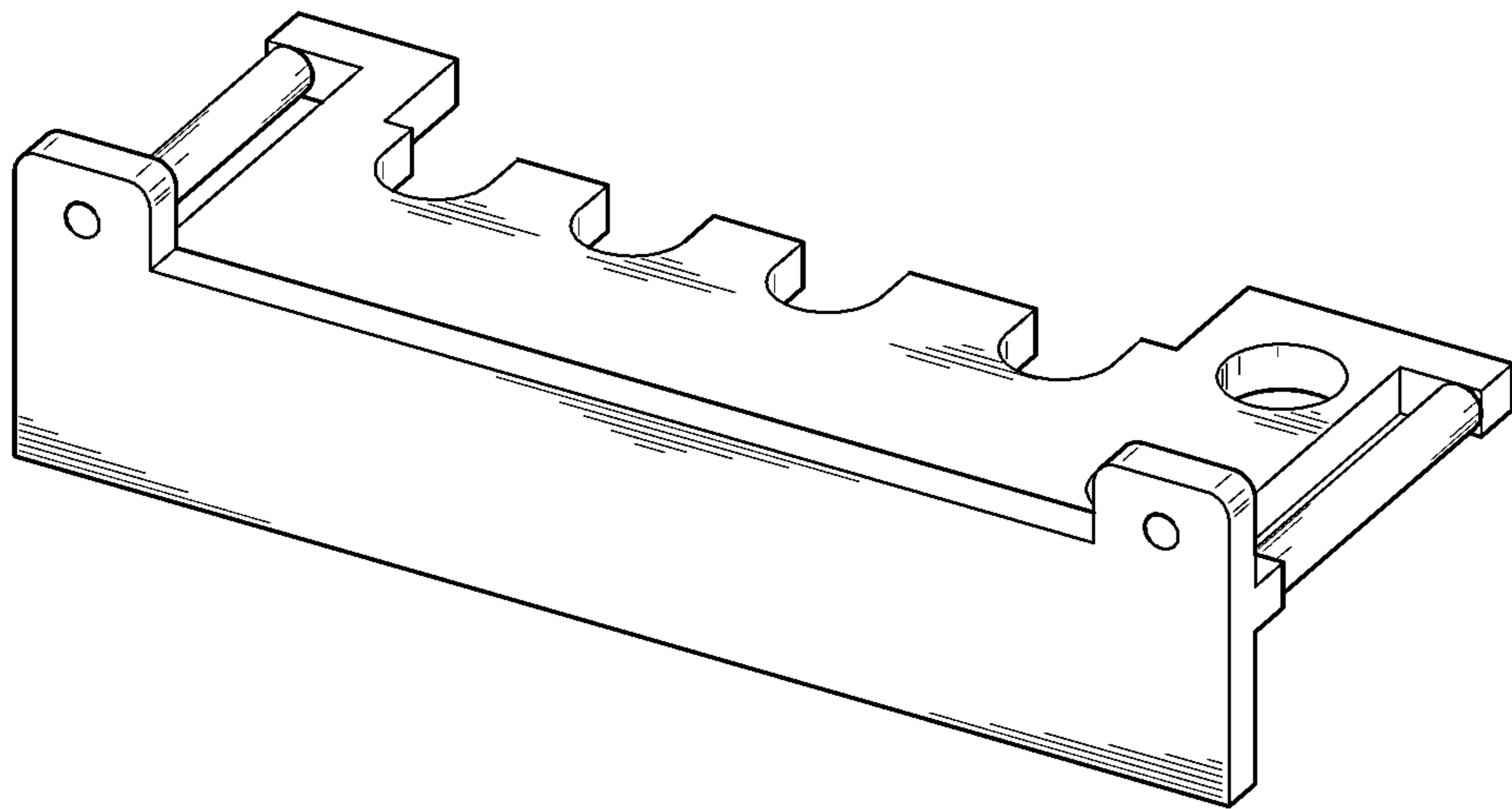
**FIG. 5**



**FIG. 6**



**FIG. 7**



**FIG. 8**