



US00D725402S

(12) **United States Design Patent**
Tang

(10) **Patent No.:** **US D725,402 S**
(45) **Date of Patent:** **** Mar. 31, 2015**

(54) **MAGLEV SOAP HOLDER**

(56) **References Cited**

(71) Applicant: **InnoMag Hi-Tech (Shanghai) Co., Ltd.**, Shanghai (CN)

U.S. PATENT DOCUMENTS

(72) Inventor: **Zhi Min Tang**, Shanghai (CN)

D253,149 S *	10/1979	Heckler	D6/538
D365,235 S *	12/1995	Jodwischat	D6/538
D402,146 S *	12/1998	Moosavi et al.	D6/538
D455,590 S *	4/2002	Short	D6/538
D458,494 S *	6/2002	Cascio	D6/538
D477,949 S *	8/2003	Cascio et al.	D6/538
D477,950 S *	8/2003	Cascio et al.	D6/538

(73) Assignee: **InnoMag Hi-Tech (Shanghai) Co., Ltd.**, Shanghai (CN)

* cited by examiner

(**) Term: **14 Years**

Primary Examiner — Brian N Vinson

(21) Appl. No.: **29/493,649**

(57) **CLAIM**

The ornamental design for a maglev soap holder, as shown and described.

(22) Filed: **Jun. 11, 2014**

DESCRIPTION

(30) **Foreign Application Priority Data**

Dec. 12, 2013 (CN) 2013 3 0619276

(51) **LOC (10) Cl.** **23-02**

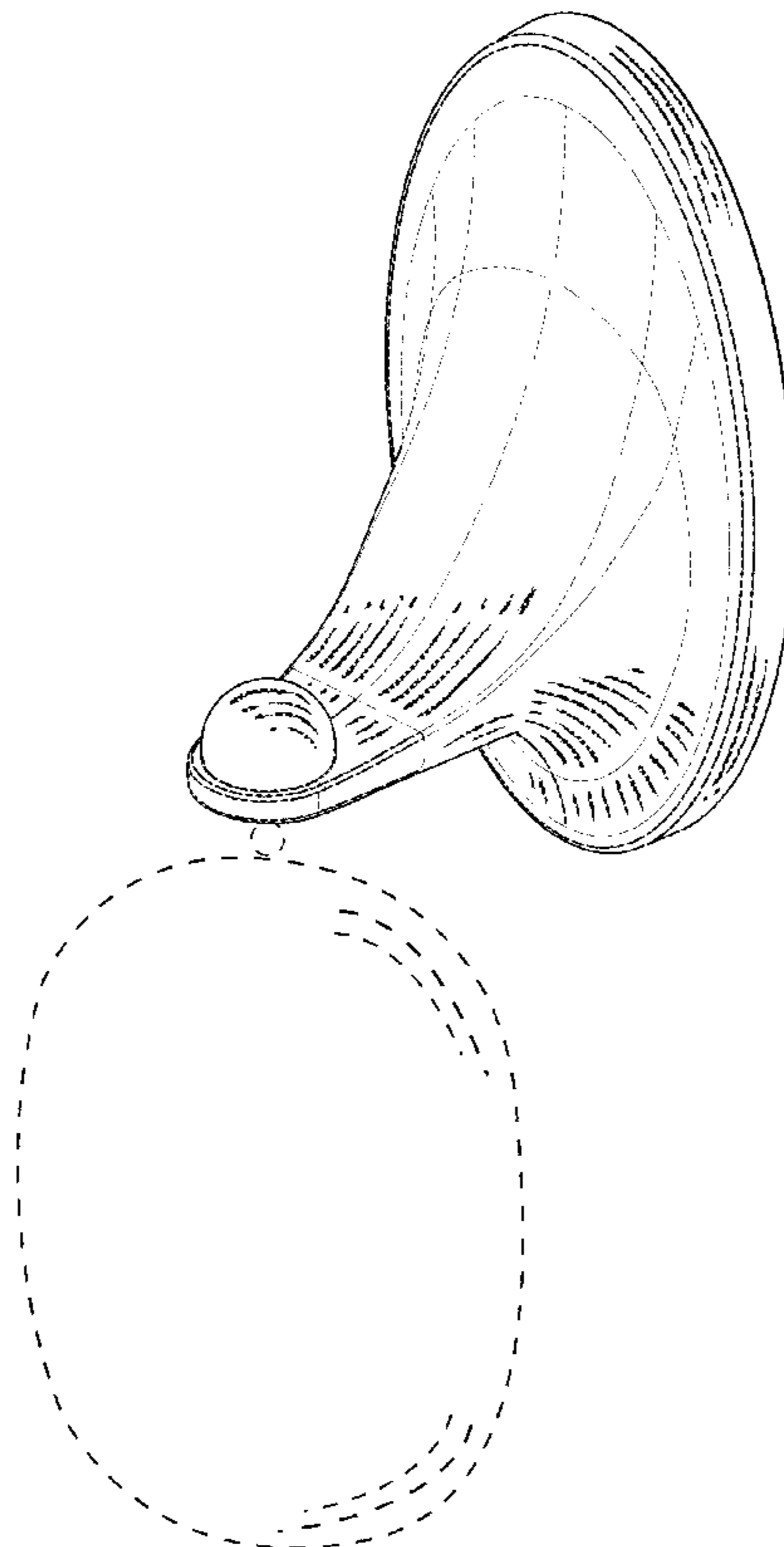
(52) **U.S. Cl.**
USPC **D6/538**

(58) **Field of Classification Search**
USPC D6/536-538; 211/13.1, 14, 89.01;
248/309.1, 309.3, 309.4

See application file for complete search history.

FIG. 1 is a front elevation view of a maglev soap holder of my new design;
FIG. 2 is a top plan view thereof;
FIG. 3 is a bottom plan view thereof;
FIG. 4 is a left side view thereof;
FIG. 5 is a right side view thereof;
FIG. 6 is a perspective view thereof;
FIG. 7 is a rear elevation view thereof; and,
FIG. 8 is a perspective view in a use state thereof.
The broken lines are for illustrative purposes only and form no part of the claimed design.

1 Claim, 8 Drawing Sheets



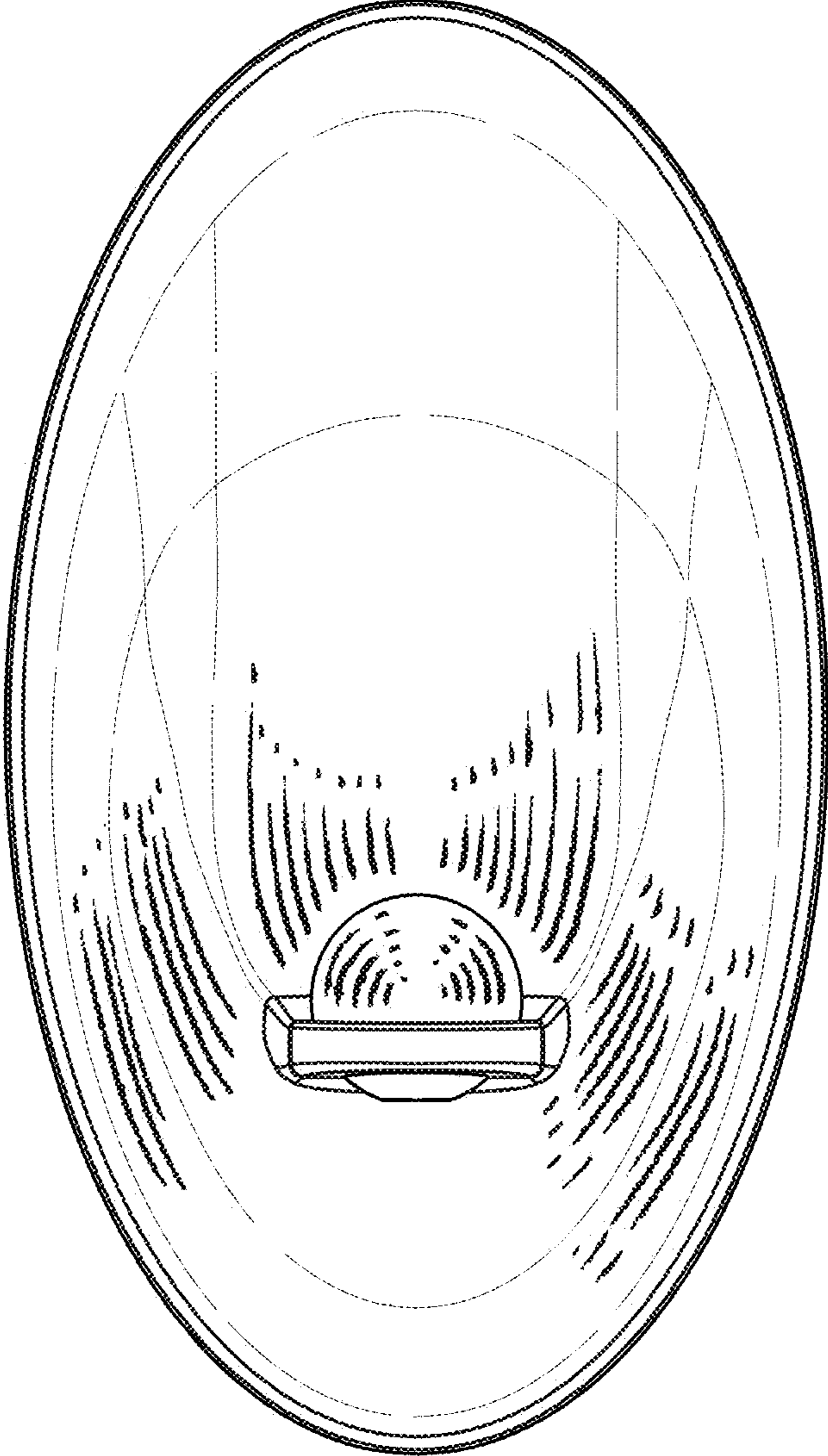


Fig. 1

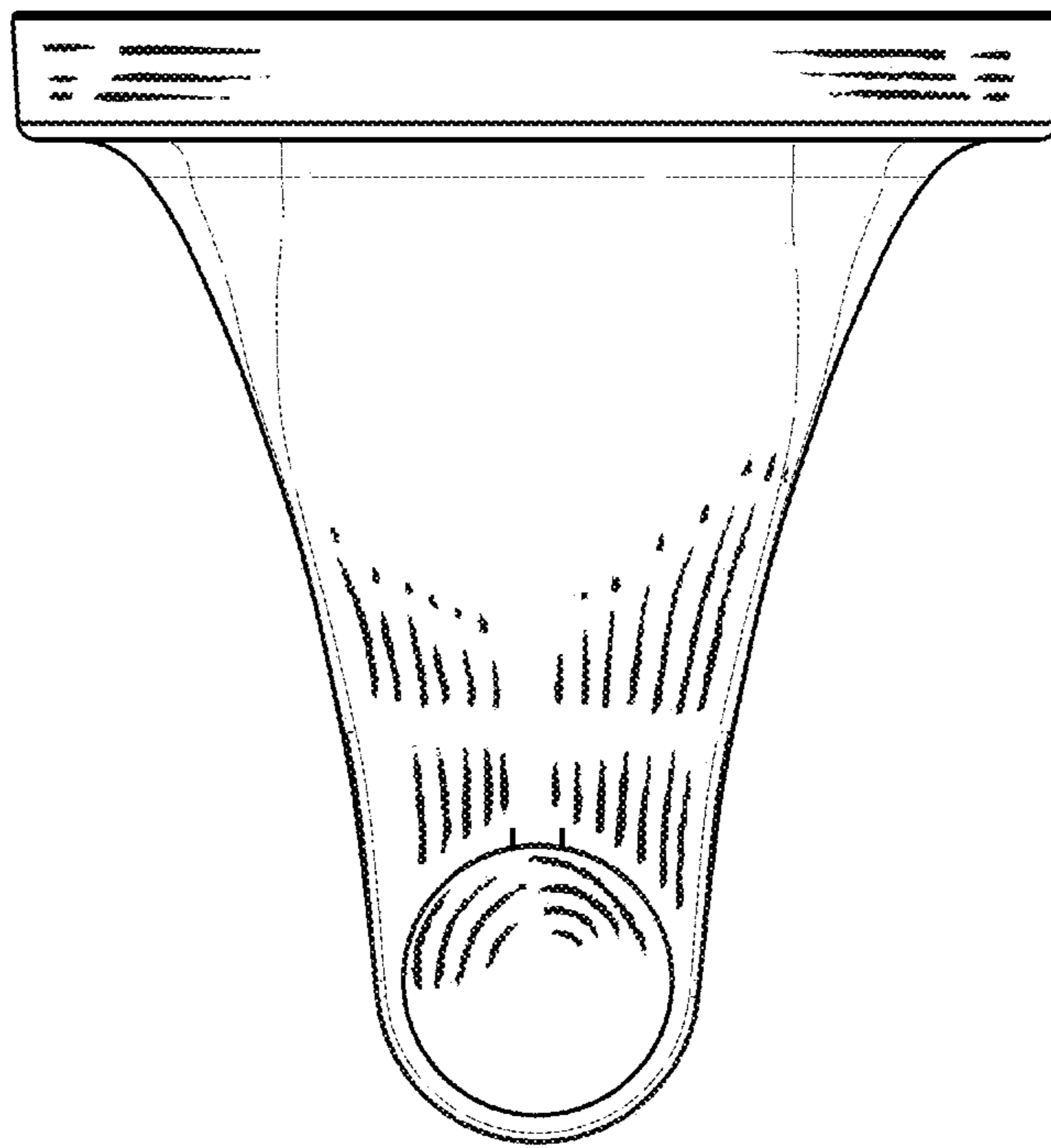


Fig. 2

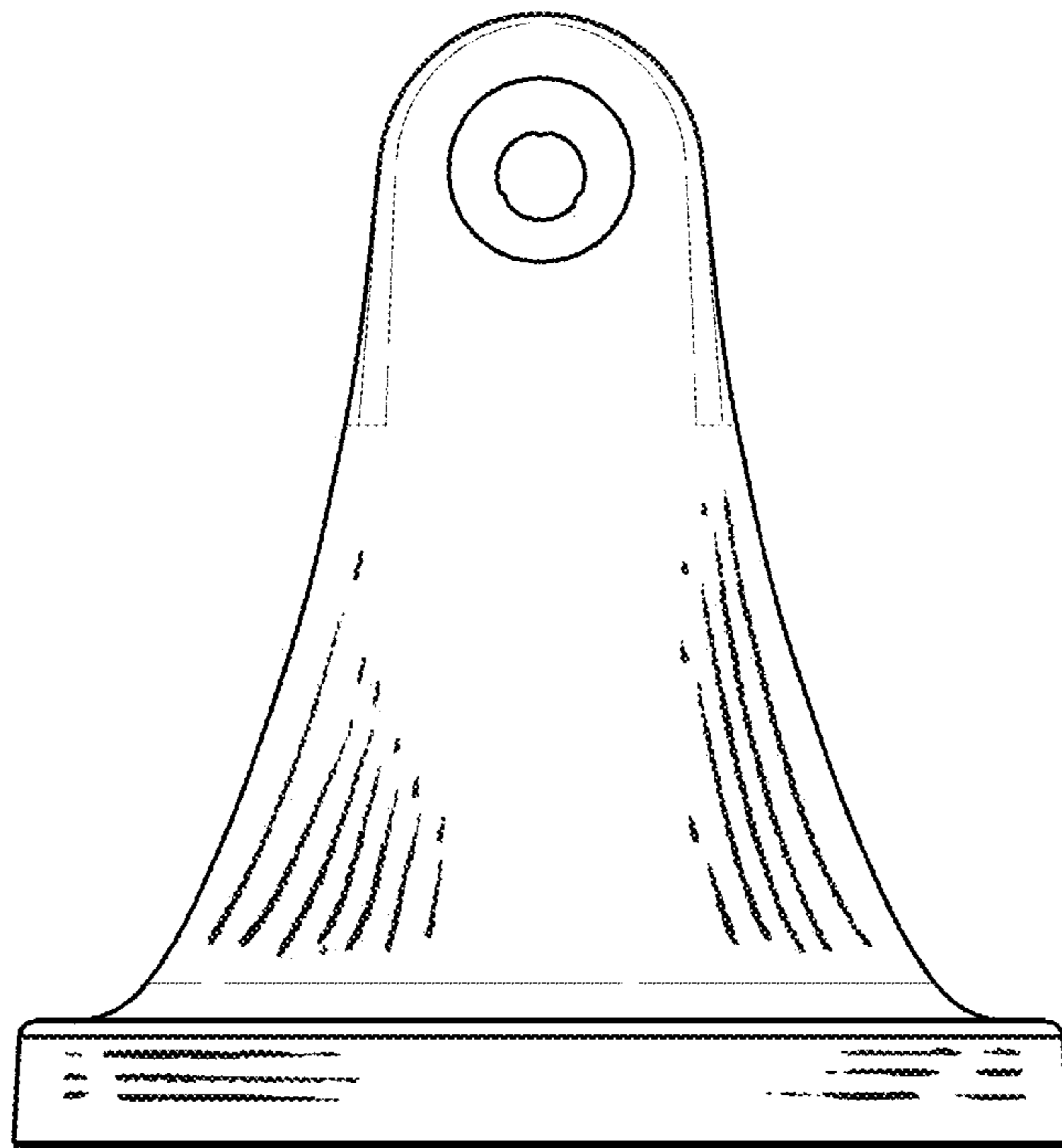


Fig. 3

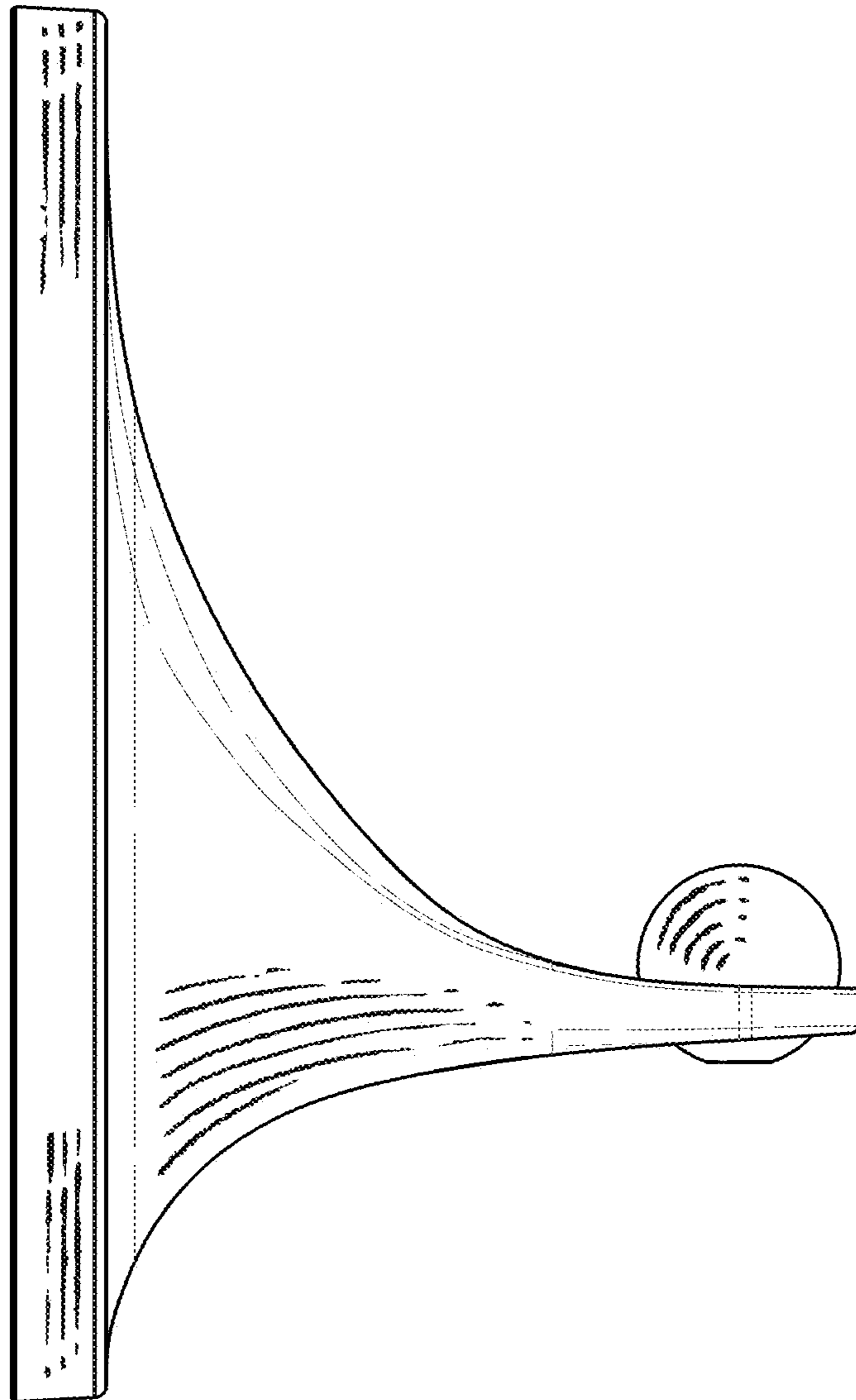


Fig. 4

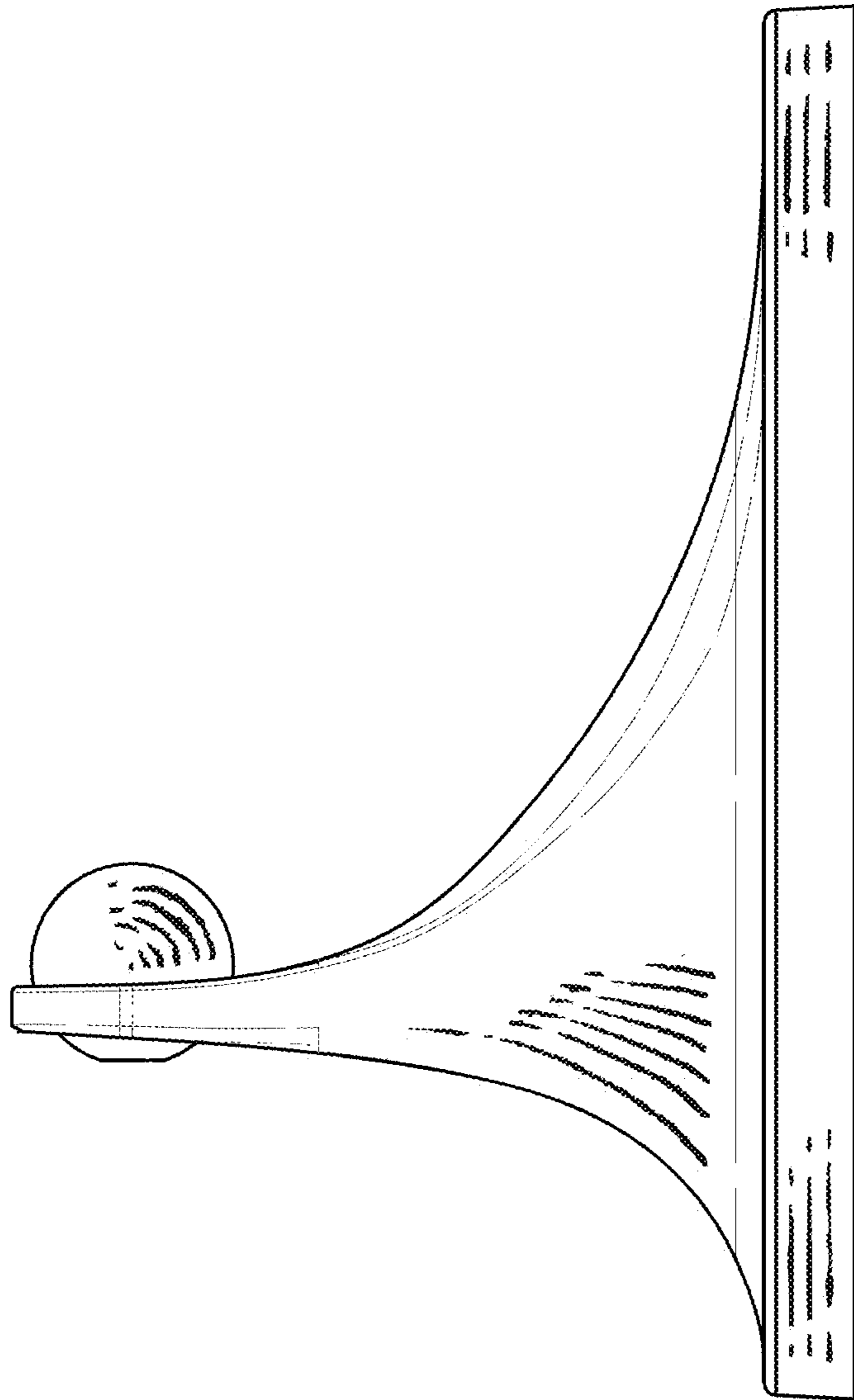


Fig. 5

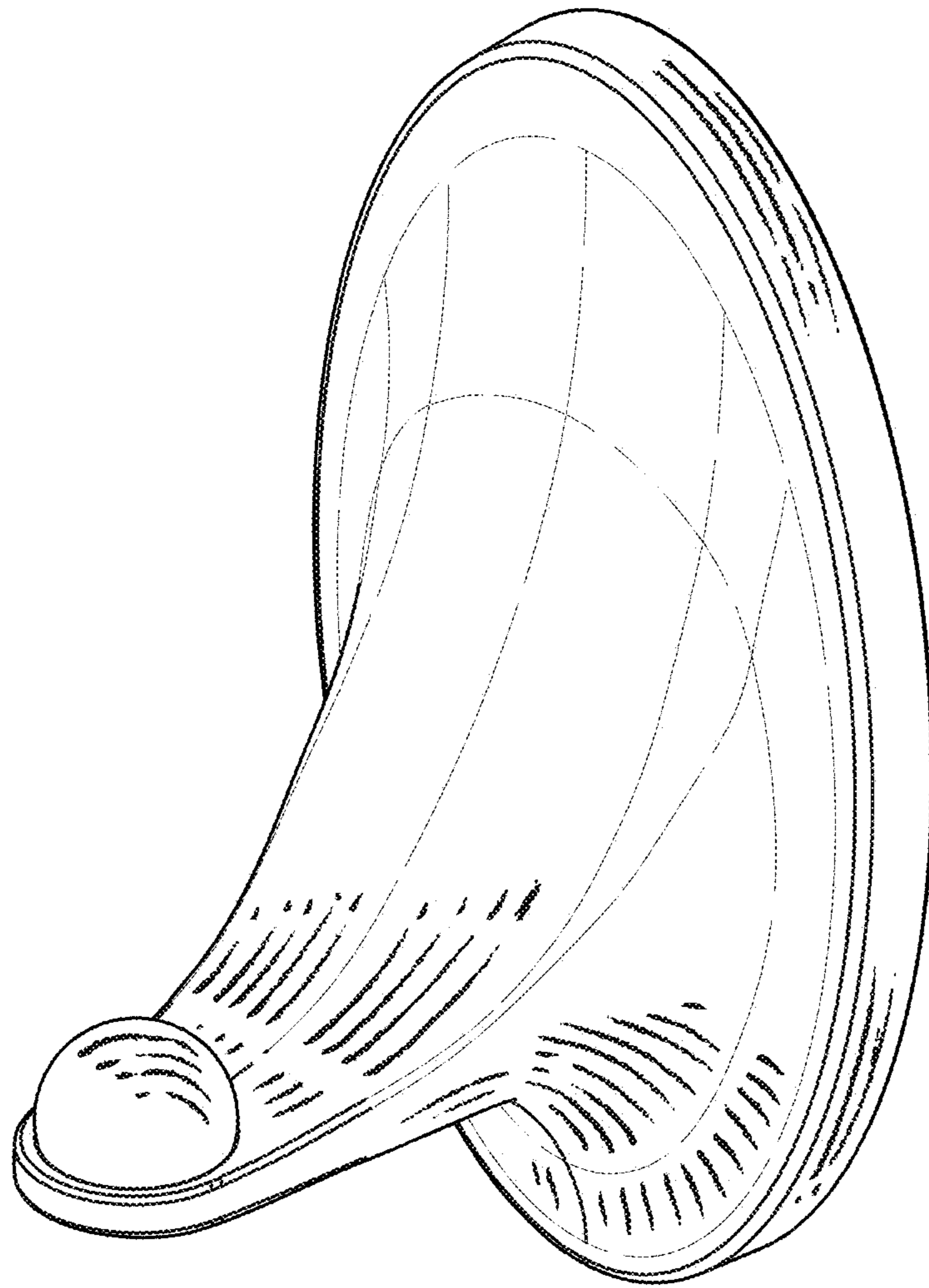


Fig. 6

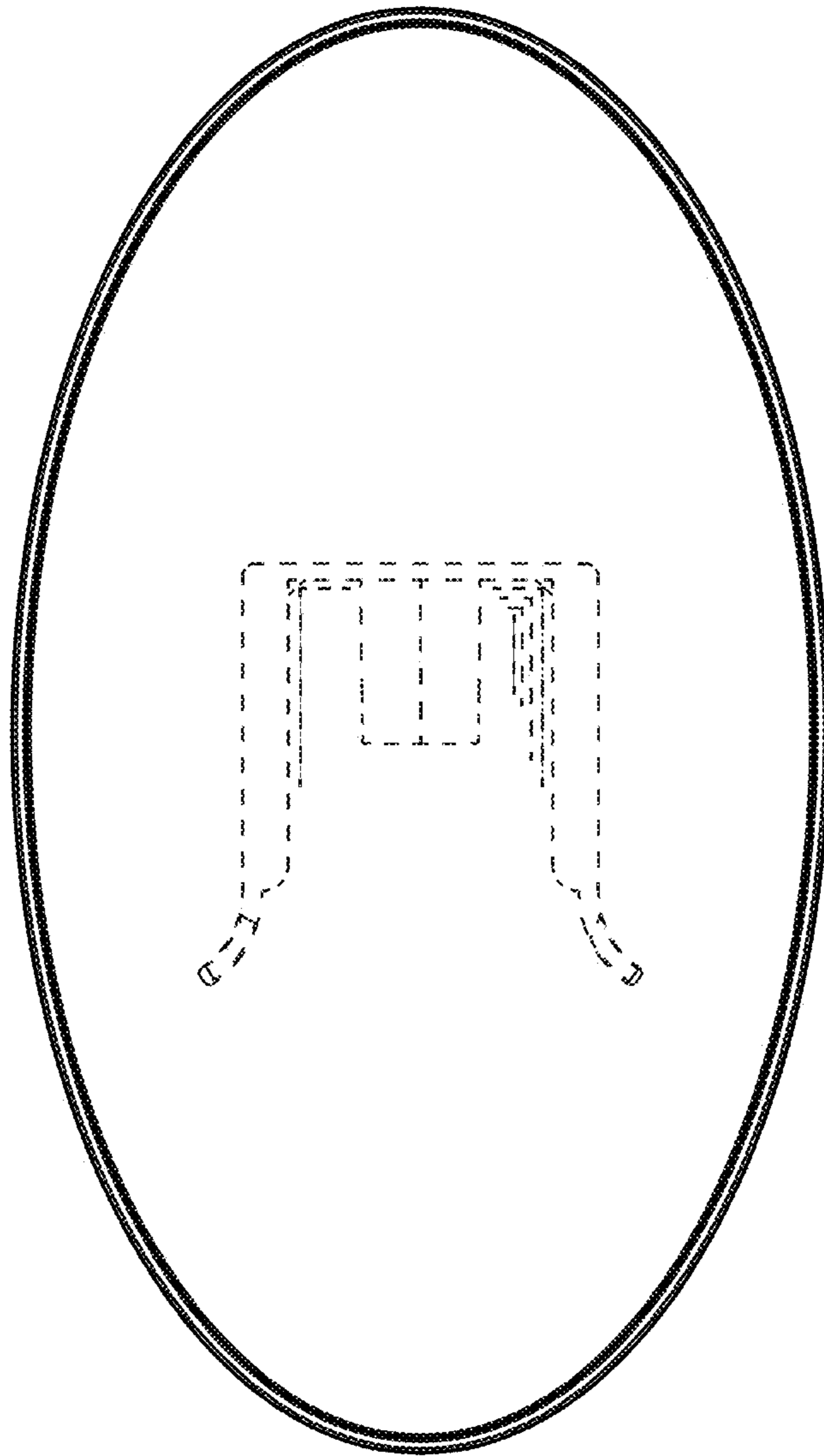


Fig. 7

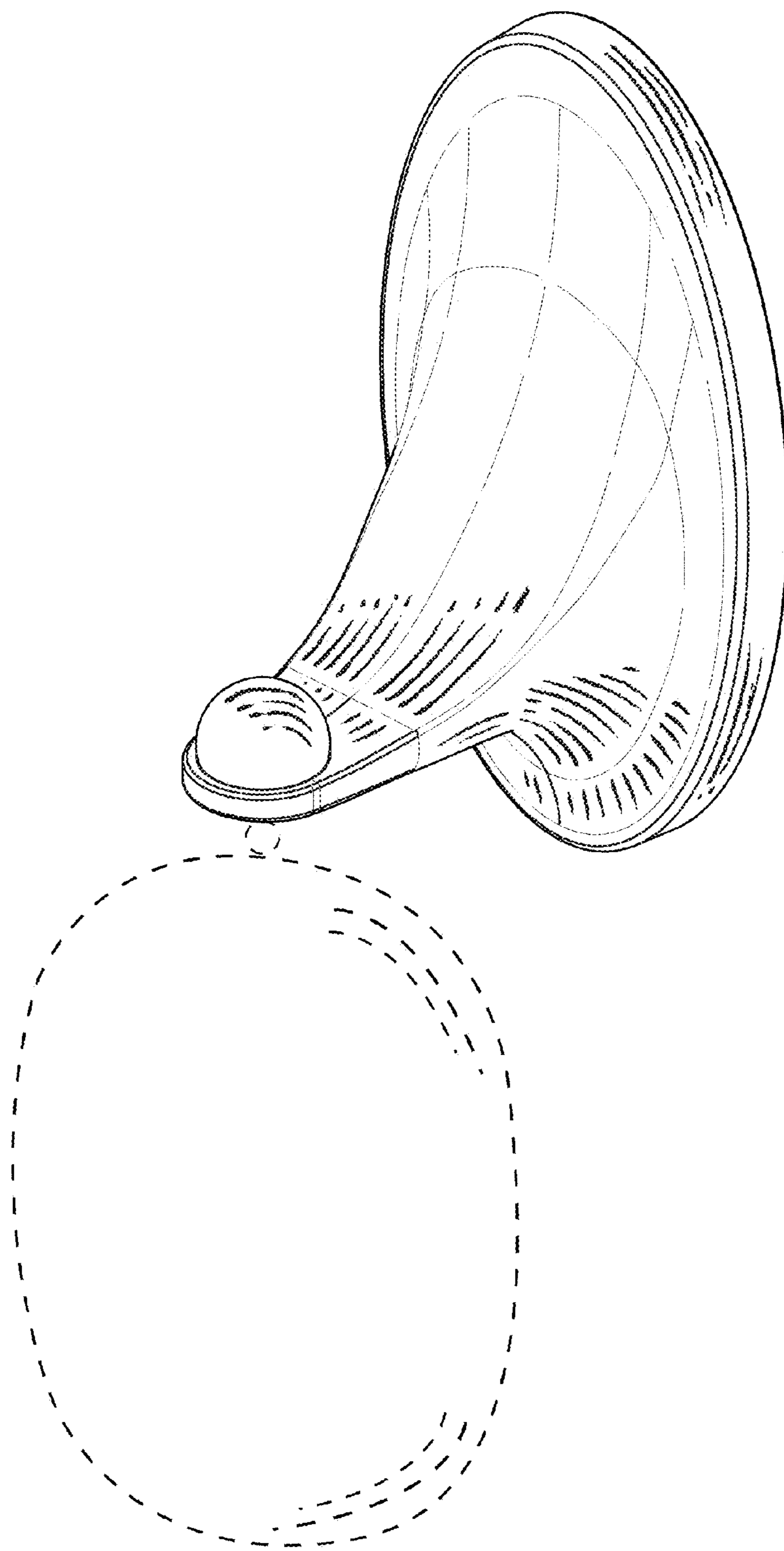


Fig. 8