



US00D725400S

(12) **United States Design Patent**
Costello et al.

(10) **Patent No.:** **US D725,400 S**
(45) **Date of Patent:** **** Mar. 31, 2015**

(54) **SPOOL DISPENSER**

(71) Applicant: **Roplast Industries, Inc.**, Oroville, CA (US)

(72) Inventors: **Darrell Costello**, Chico, CA (US);
Robert T. Bateman, Oroville, CA (US)

(73) Assignee: **Roplast Industries, Inc.**, Oroville, CA (US)

(**) Term: **14 Years**

(21) Appl. No.: **29/458,419**

(22) Filed: **Jun. 19, 2013**

(51) **LOC (10) Cl.** **20-02**

(52) **U.S. Cl.**
USPC **D6/515**

(58) **Field of Classification Search**
USPC D6/515, 518, 566, 520, 408; D34/10, 5;
206/390, 397; 220/908, 909, 403, 404,
220/407; 248/95; D8/373; D28/73
See application file for complete search history.

(56) **References Cited**

U.S. PATENT DOCUMENTS

D263,911 S *	4/1982	Heinrichsdorff	D6/408
D313,899 S *	1/1991	Barker et al.	D6/408
D382,160 S *	8/1997	Keogh	D6/566
D428,544 S *	7/2000	Moffitt et al.	D34/5
D435,379 S *	12/2000	Nguyen	D6/515
D533,002 S *	12/2006	Recknagel et al.	D6/566
D577,989 S *	10/2008	Ernst et al.	D8/373

D632,108 S *	2/2011	Snider	D6/520
D651,435 S *	1/2012	Dieudonne et al.	D6/515
D655,986 S *	3/2012	Schneider	D7/620
D660,064 S *	5/2012	Webb et al.	D6/566
D660,066 S *	5/2012	Webb et al.	D6/566
D669,636 S *	10/2012	Goodman et al.	D28/73
D696,040 S *	12/2013	Tsai	D6/515
D699,965 S *	2/2014	Costello et al.	D6/515

* cited by examiner

Primary Examiner — Brian N Vinson

(74) *Attorney, Agent, or Firm* — Gordon Rees Scully Mansukhani LLP

(57) **CLAIM**

The ornamental design for a spool dispenser, as shown and described.

DESCRIPTION

FIG. 1 is a perspective view of a top, front, and right side perspective view of a spool dispenser showing our new design;

FIG. 2 is a left side elevation view thereof;

FIG. 3 is a right side elevation view thereof;

FIG. 4 is rear elevation view thereof;

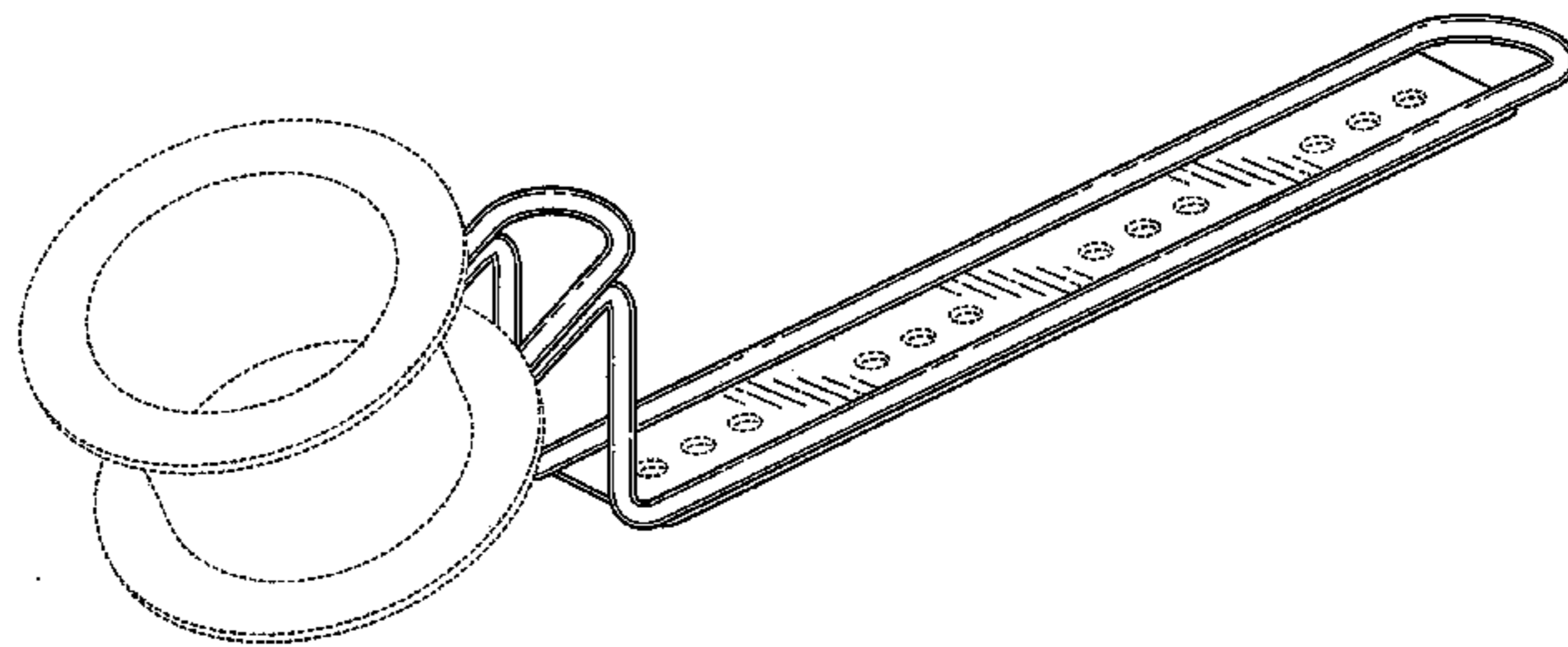
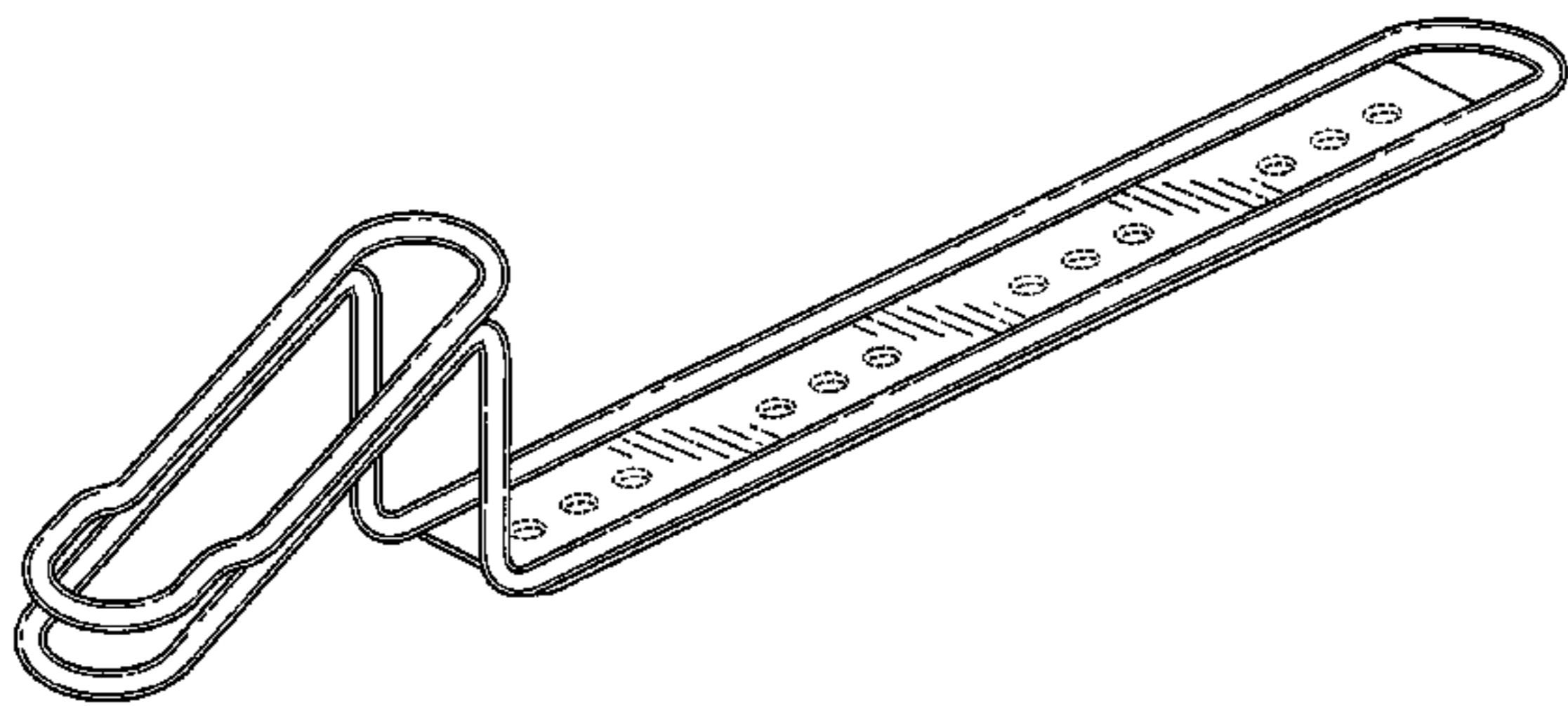
FIG. 5 is a front elevation view thereof;

FIG. 6 is a top plan view thereof;

FIG. 7 is a bottom plan view thereof; and,

FIG. 8 is an additional top, front, and right side elevational view thereof, with the broken-line disclosure of a spool being for illustrative purposes only and forming no part of the claimed design.

1 Claim, 5 Drawing Sheets



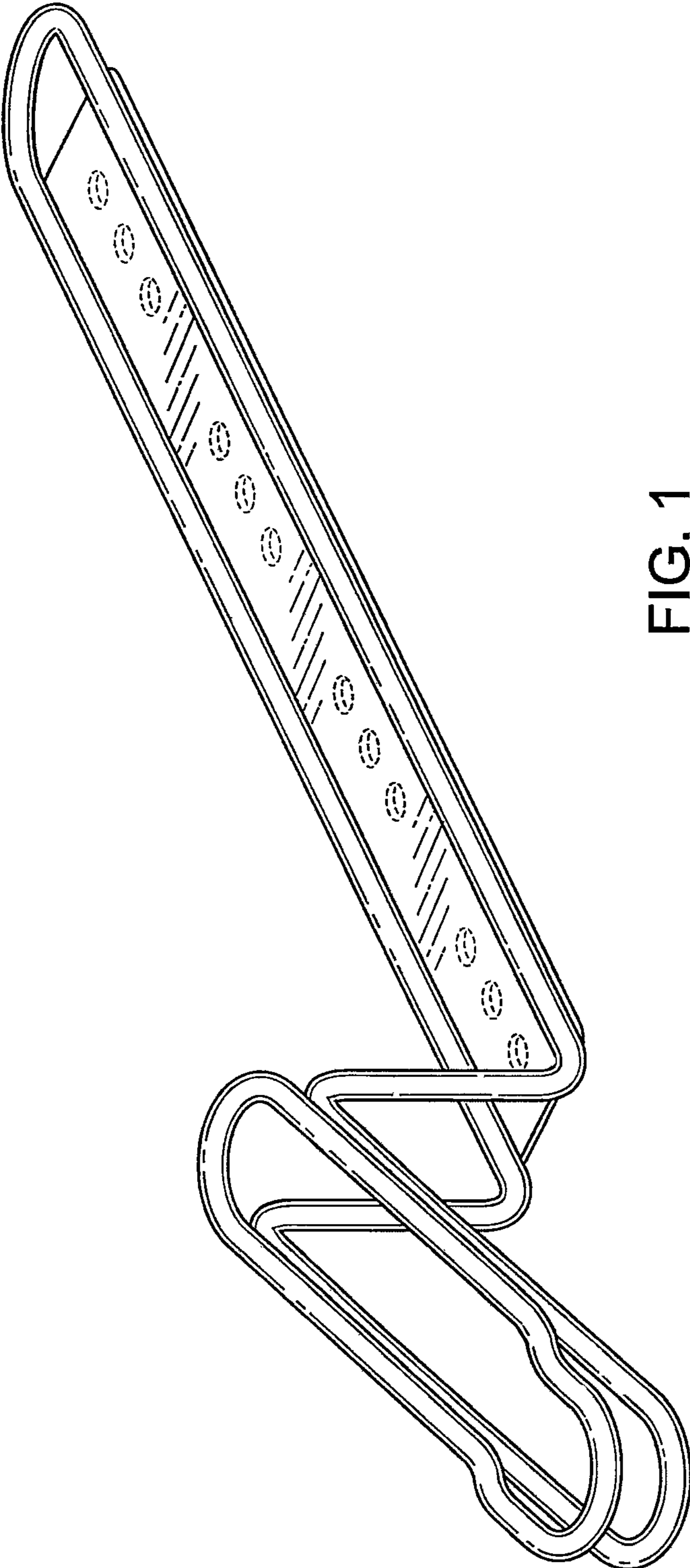


FIG. 1

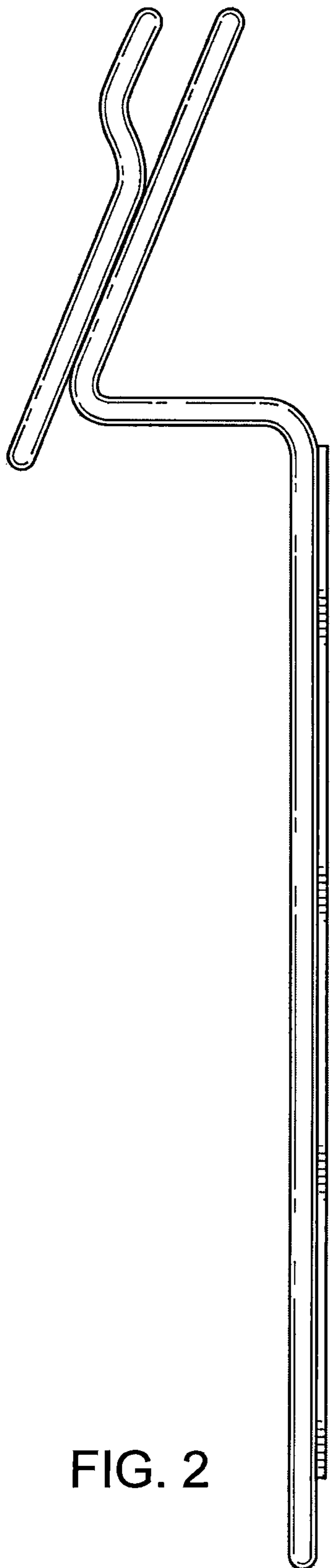


FIG. 2

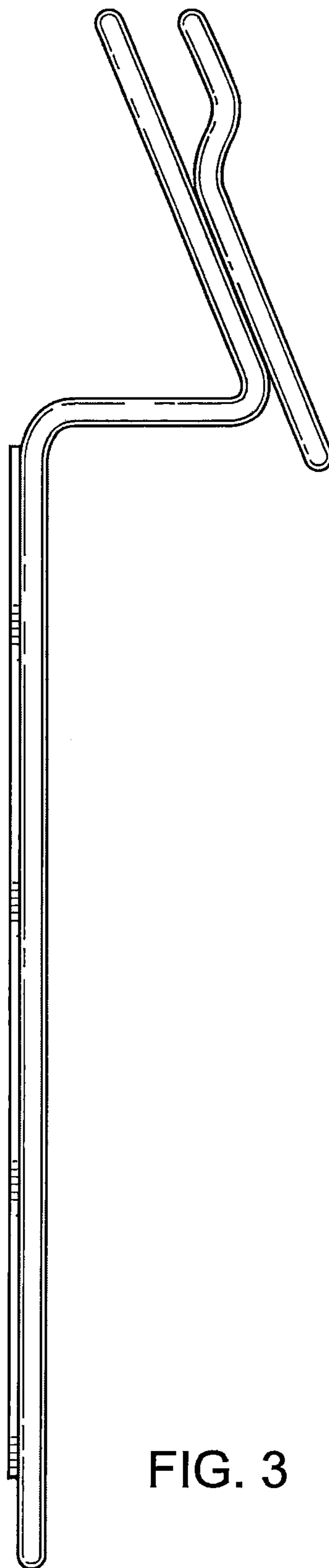


FIG. 3

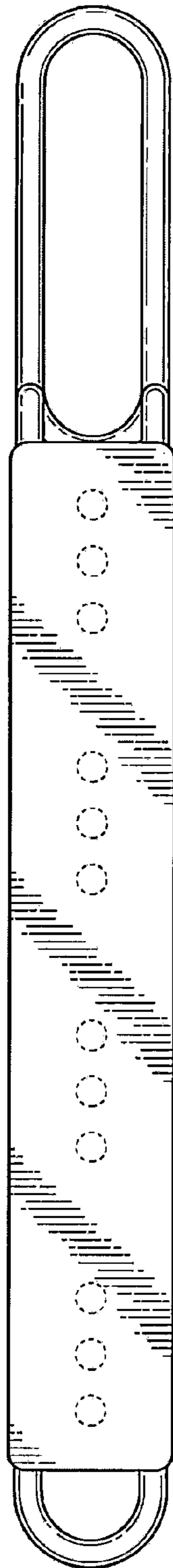


FIG. 4

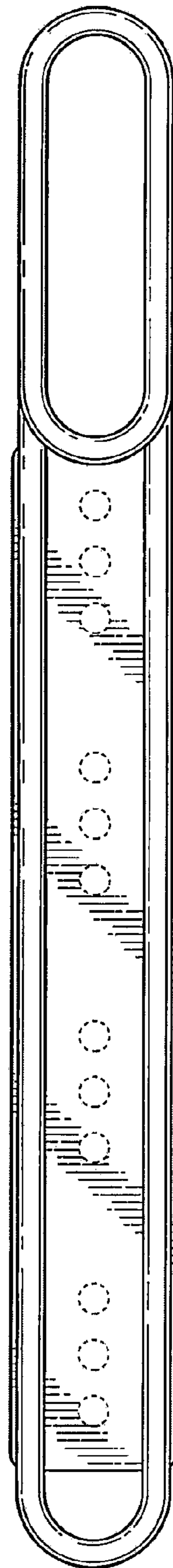


FIG. 5

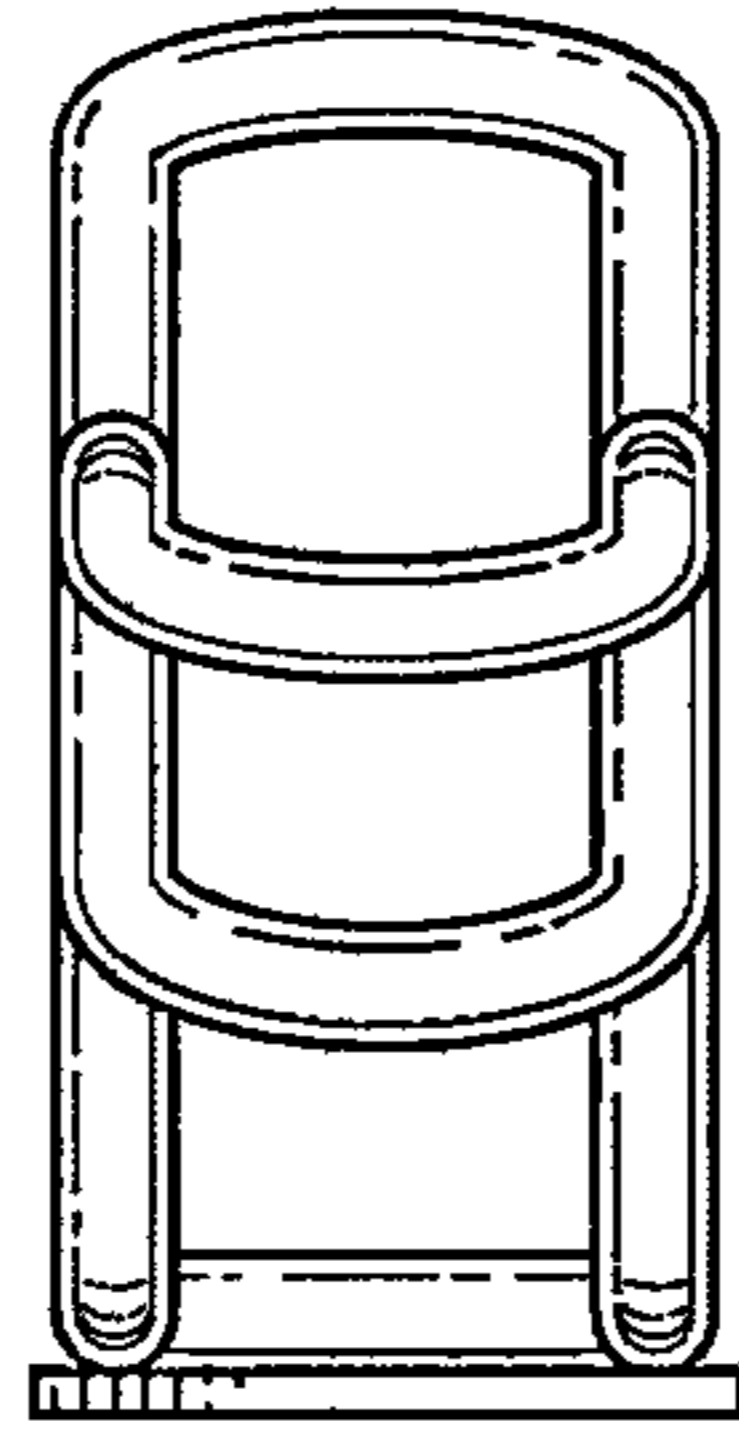


FIG. 6

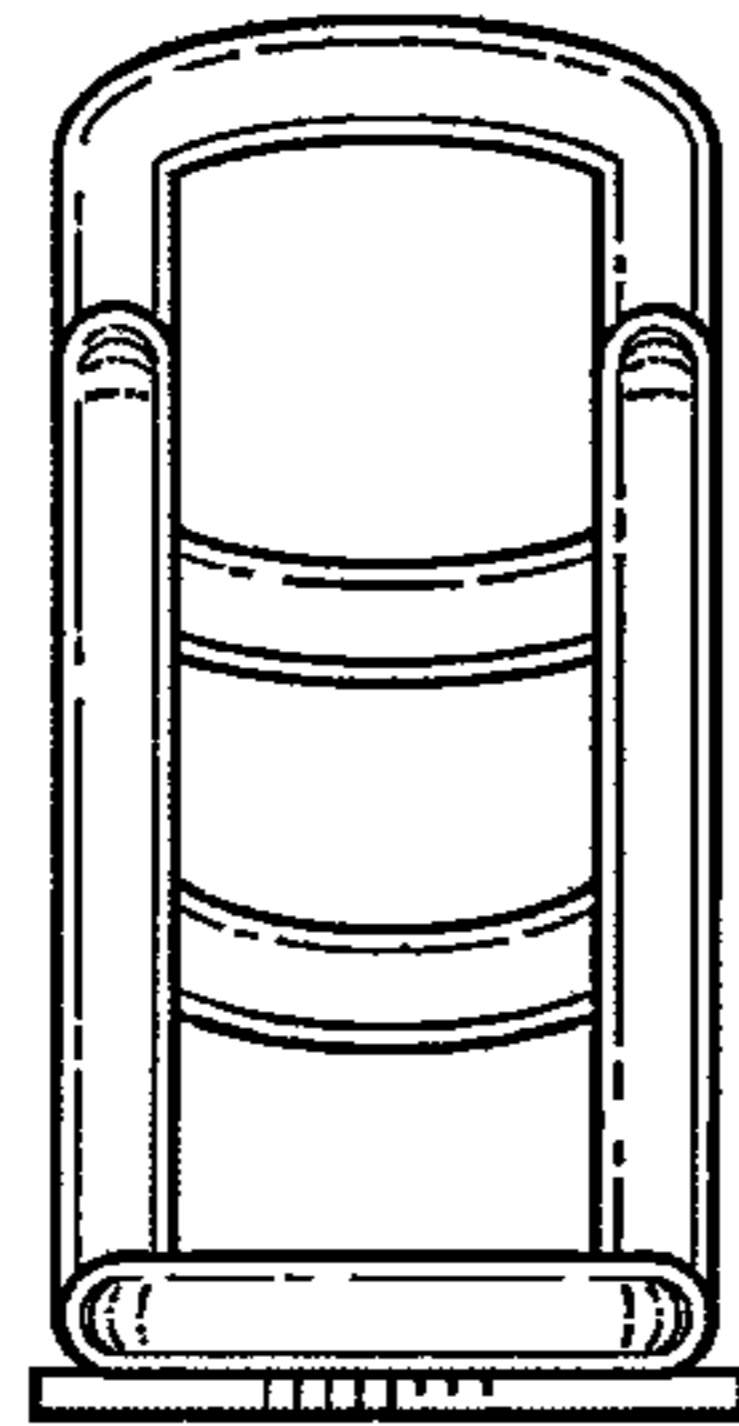


FIG. 7

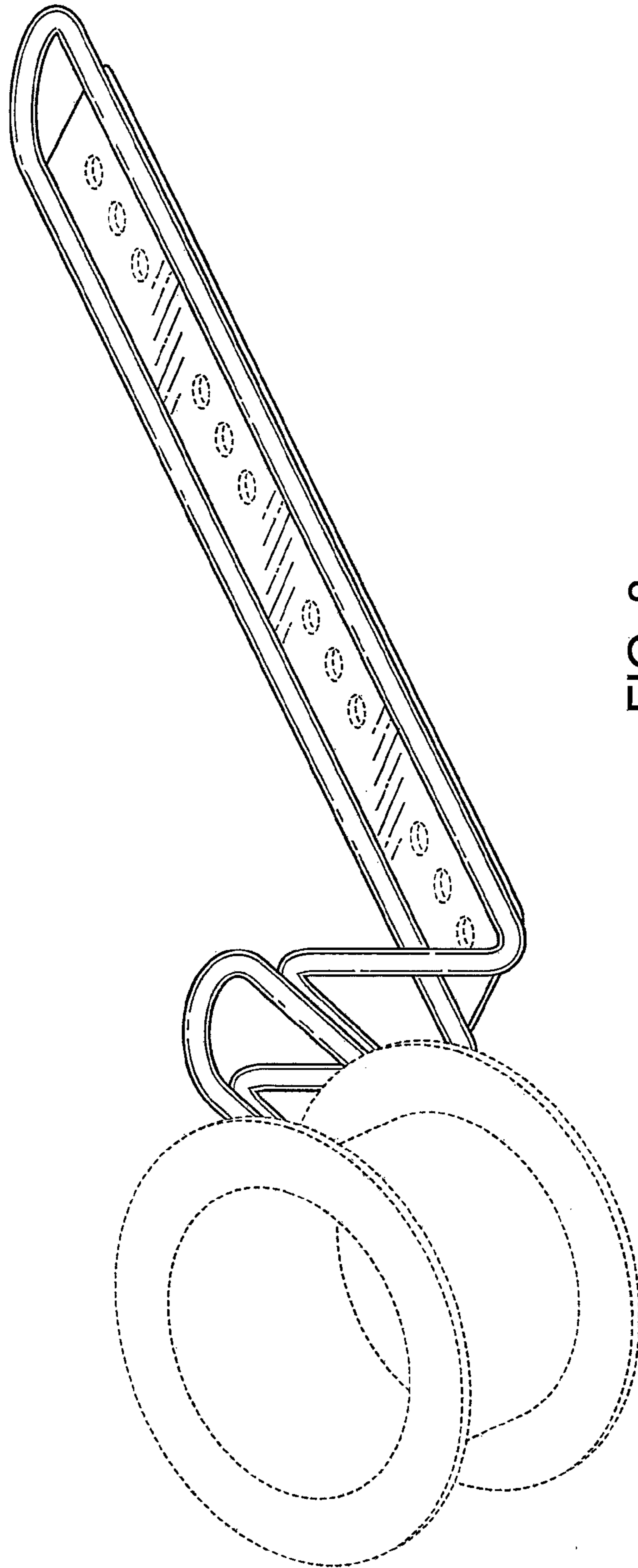


FIG. 8