



US00D725393S

(12) **United States Design Patent**
Pan

(10) **Patent No.:** **US D725,393 S**
(45) **Date of Patent:** **** Mar. 31, 2015**

(54) **HOOK**

(71) Applicant: **3M Innovative Properties Company**,
St. Paul, MN (US)

(72) Inventor: **Angela L. Pan**, Woodbury, MN (US)

(73) Assignee: **3M Innovative Properties Company**,
St. Paul, MN (US)

(**) Term: **14 Years**

(21) Appl. No.: **29/486,967**

(22) Filed: **Apr. 4, 2014**

(51) **LOC (10) Cl.** **06-08**

(52) **U.S. Cl.**
USPC **D6/323**

(58) **Field of Classification Search**
CPC A47G 25/28; A47G 25/32; A47G 25/743;
A47G 25/14; A47G 25/10; A47G 25/0607;
A47G 25/06; A47G 25/34; A47G 1/20;
A47G 7/044; A47G 29/00
USPC D6/315-328; 223/85-98; 211/10, 13.1,
211/85.2, 87.01, 113; D8/300, 307, 310,
D8/312, 367, 373, 379; 248/304, 309.1,
248/317, 339, 690

See application file for complete search history.

(56) **References Cited**

U.S. PATENT DOCUMENTS

D66,978 S *	4/1925	Martin	D8/307
D186,083 S *	9/1959	Mair	D8/310
D326,382 S *	5/1992	Ko	D6/550
D389,326 S *	1/1998	Moore	D6/323
D415,257 S *	10/1999	Abel	D23/250

* cited by examiner

Primary Examiner — Derrick Holland

Assistant Examiner — Lauren Calve

(74) *Attorney, Agent, or Firm* — Irina Hass

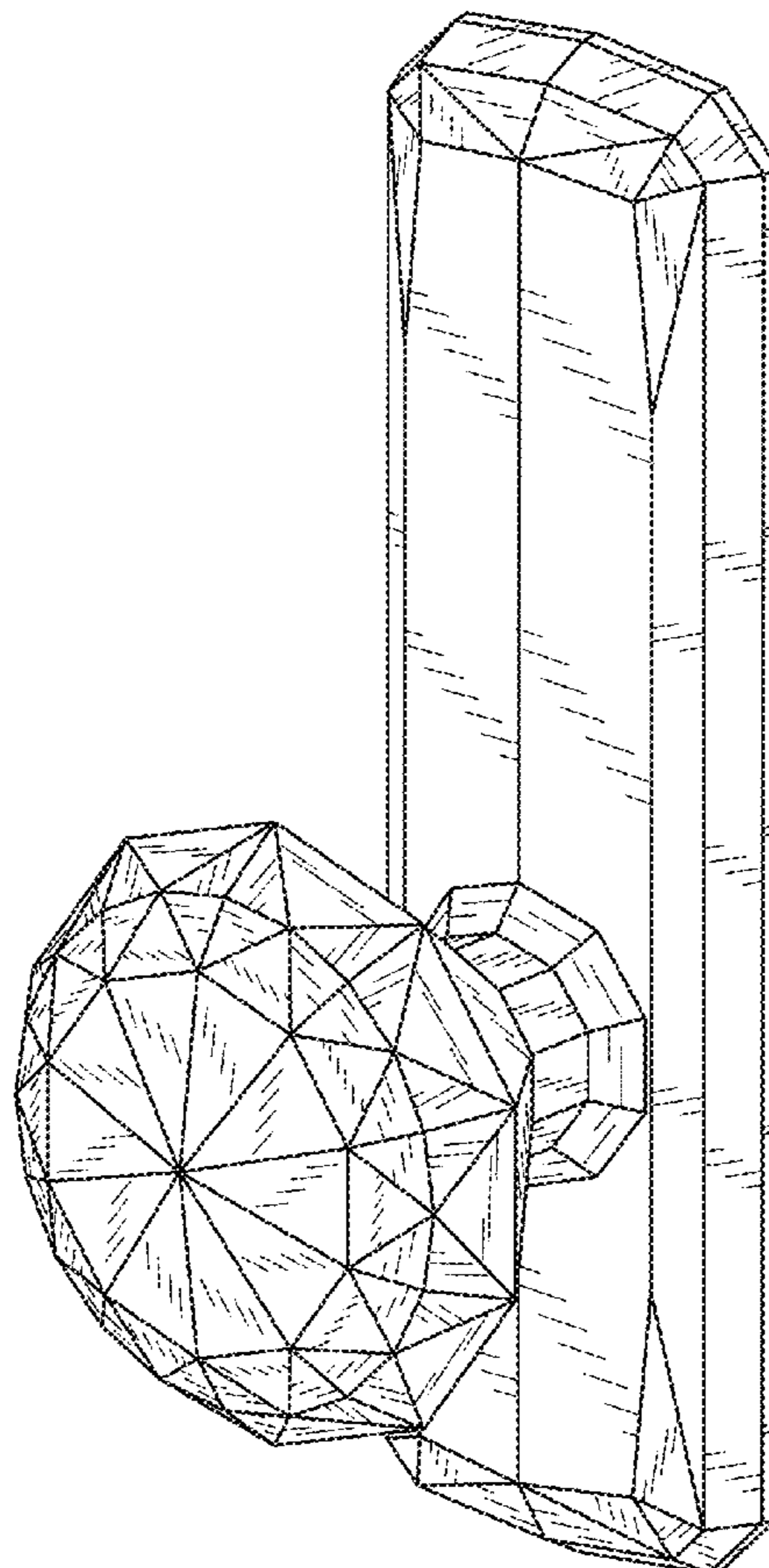
(57) **CLAIM**

The ornamental design for a hook, as shown and described.

DESCRIPTION

FIG. 1 is a perspective view showing the new design for a hook;
FIG. 2 is a right side view thereof, a left side view being a mirror image thereof;
FIG. 3 is a front view thereof;
FIG. 4 is a rear view thereof; and,
FIG. 5 is a top view thereof, a bottom view being a mirror image thereof.

1 Claim, 2 Drawing Sheets



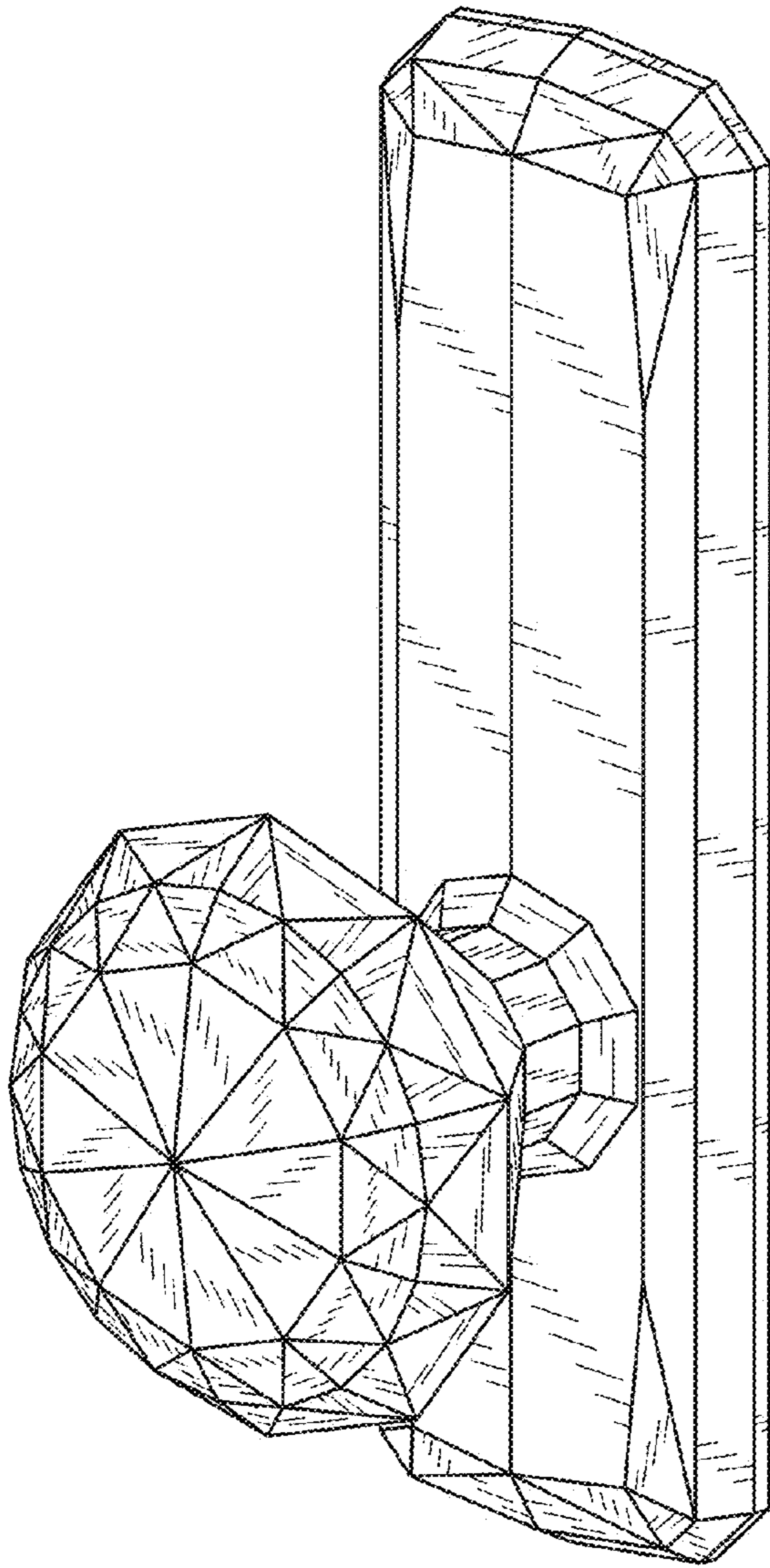


FIG. 1

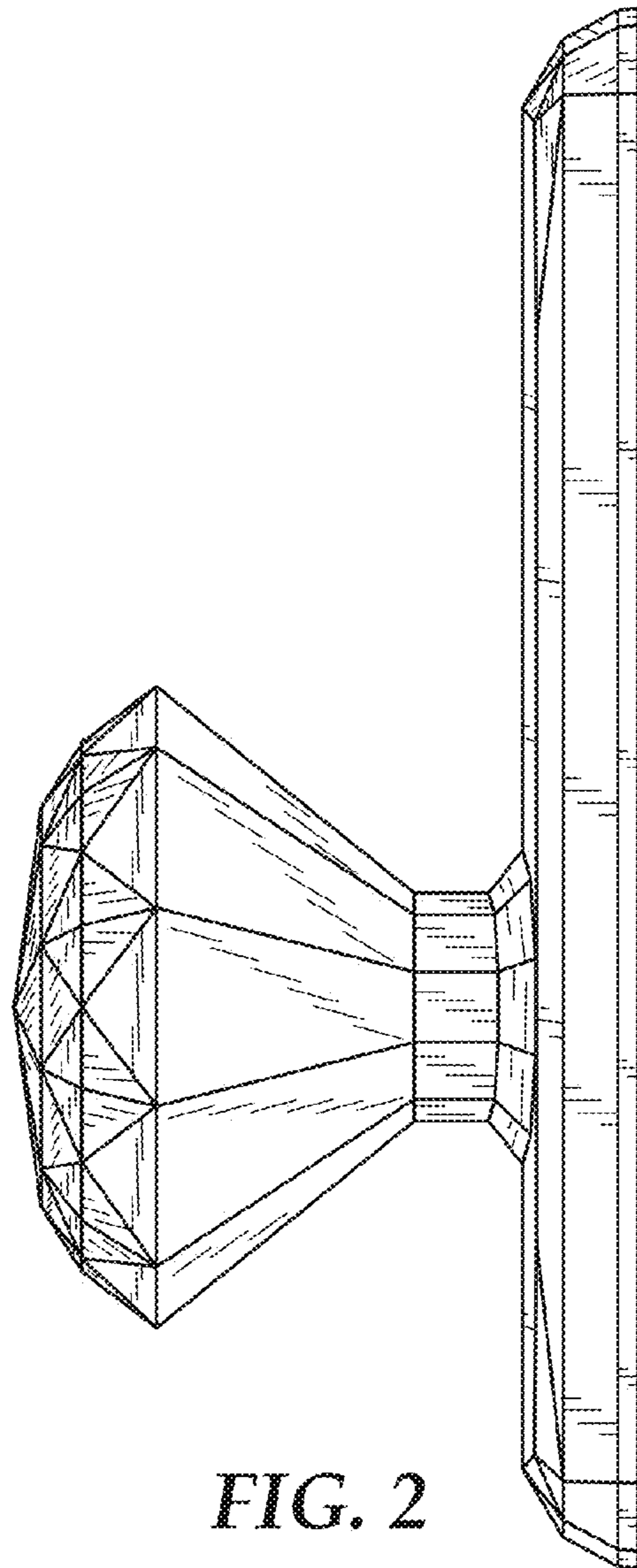


FIG. 2

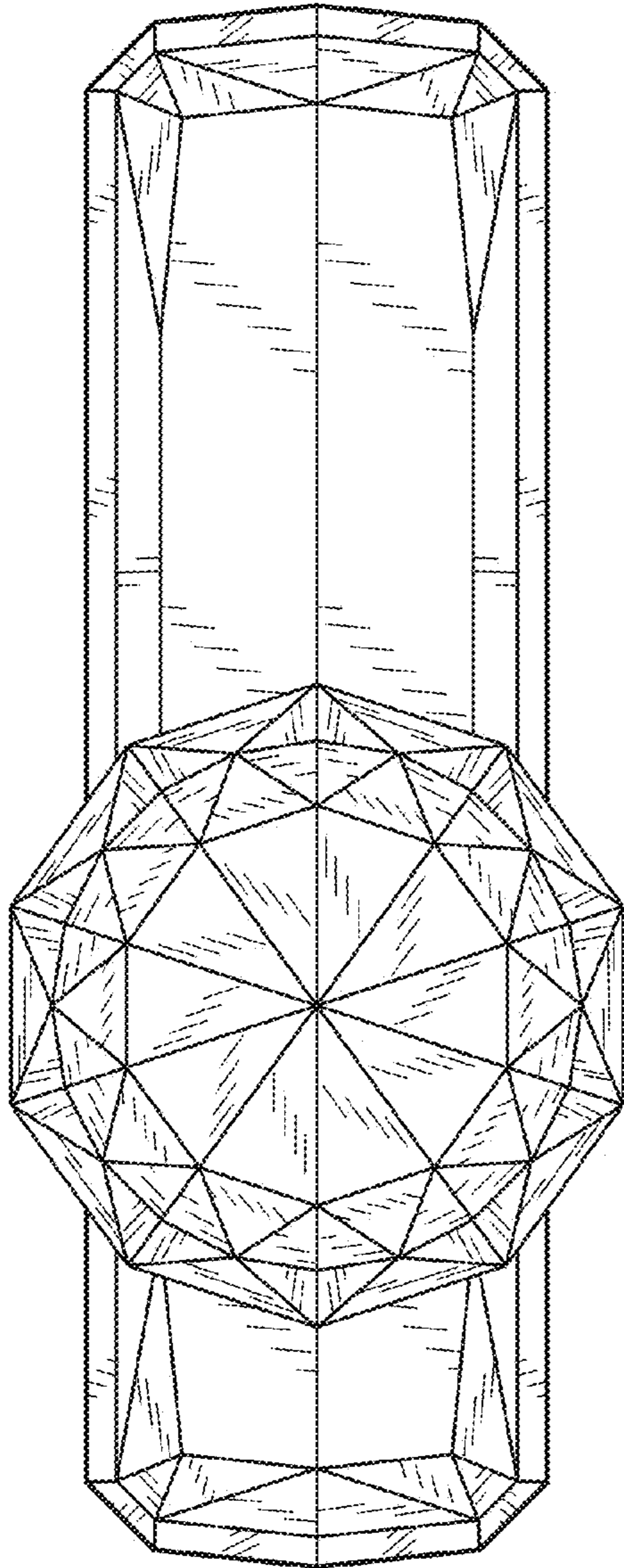


FIG. 3

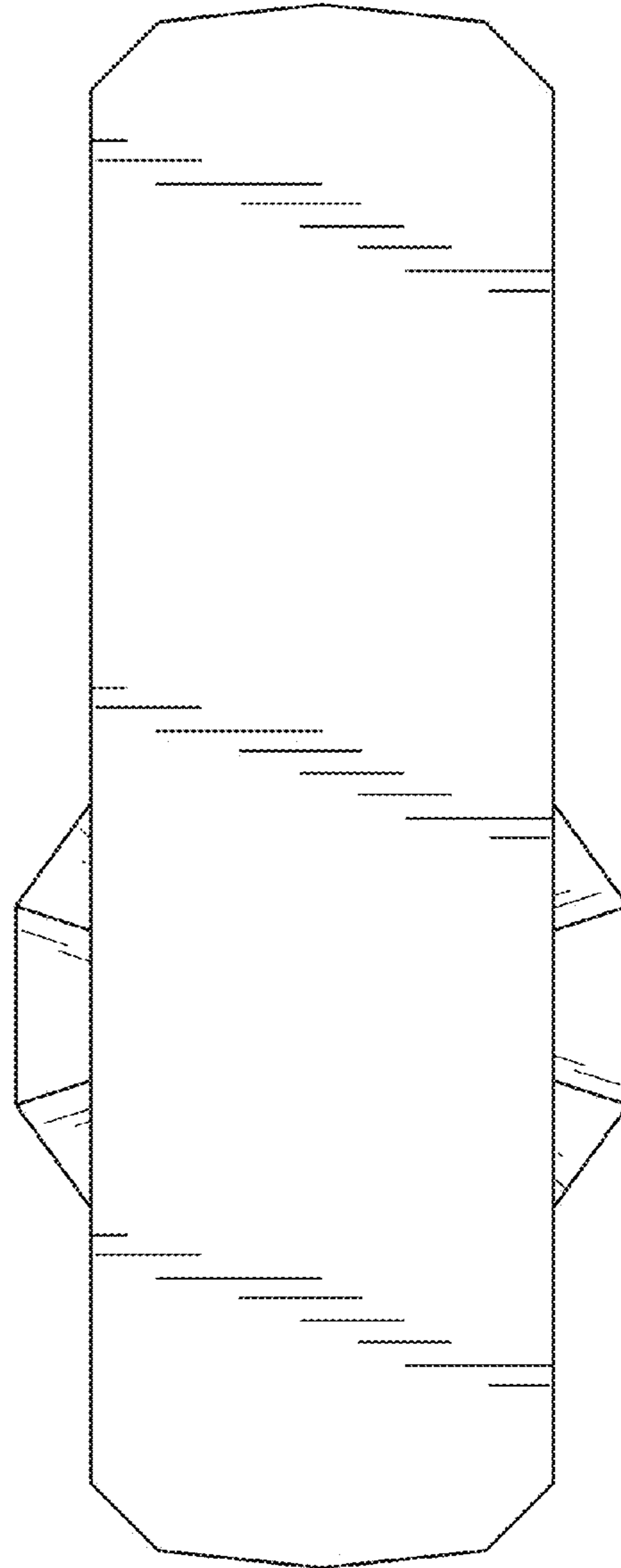


FIG. 4

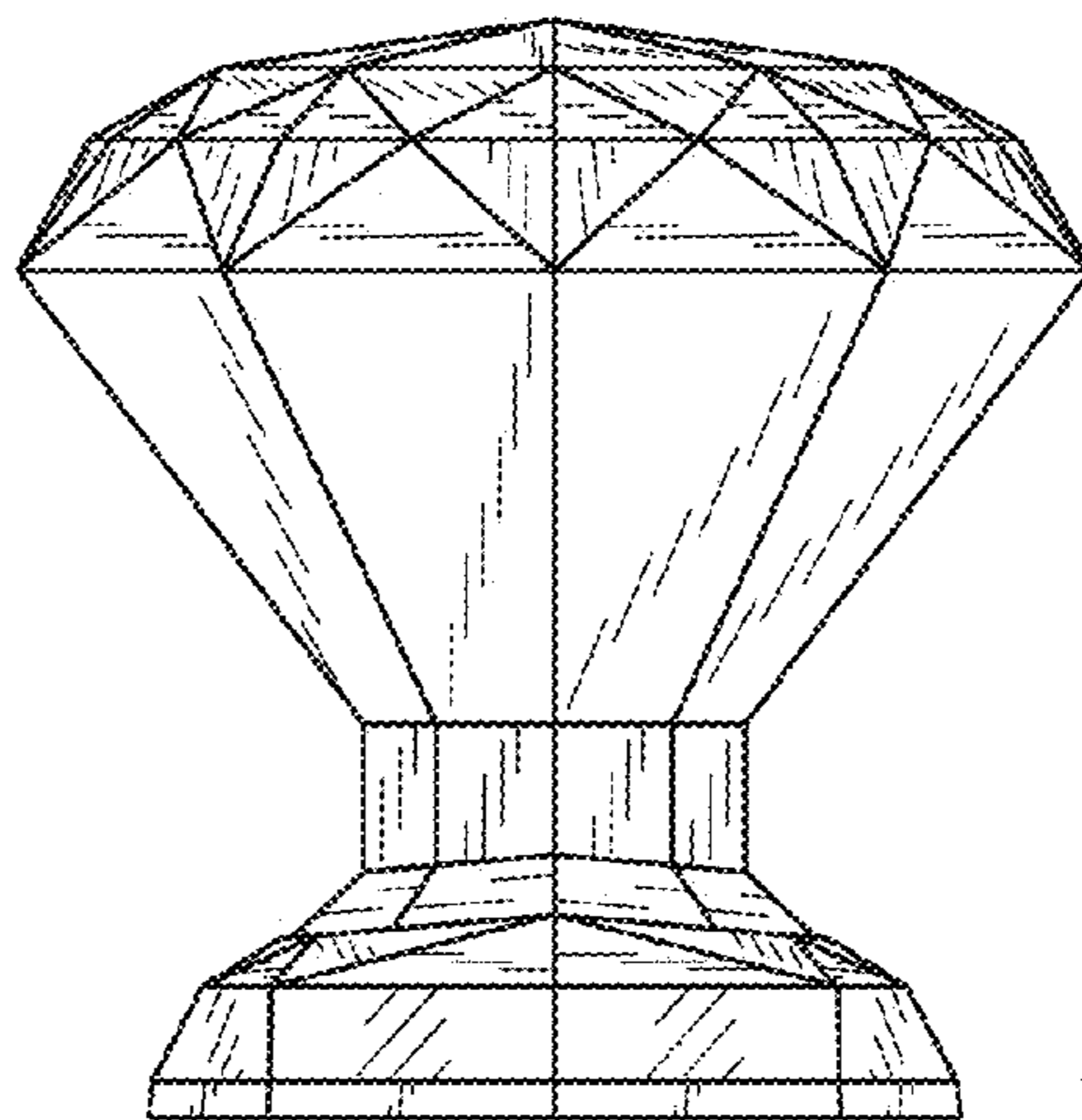


FIG. 5