



US00D725392S

(12) **United States Design Patent**
Goodwin

(10) **Patent No.:** **US D725,392 S**
(45) **Date of Patent:** **** Mar. 31, 2015**

(54) **FOOTBALL HELMET SHADOWBOX**

8,506,428 B2 * 8/2013 Davies 473/478
D718,002 S * 11/2014 Littrell, Jr. D29/106
2006/0000920 A1 * 1/2006 Leonard 239/34

(71) Applicant: **Strategic Property Transformation, LLC, Westerville, OH (US)**

OTHER PUBLICATIONS

(72) Inventor: **Schyler D. Goodwin, Westerville, OH (US)**

Football Helmet Wine and Cork holder, available Dec. 2012, [online], [site visited Jan. 6, 2015]. Available from internet, <URL: http://www.amazon.com/University-Kentucky-Football-Helmet-Bottle/dp/B00L4K3RZA/ref=sr_1_24?ie=UTF8&qid=1420633661&sr=8-24&keywords=cage+holder+helmet.*>

(73) Assignee: **Strategic Property Transformation, LLC, Westerville, OH (US)**

* cited by examiner

(**) Term: **14 Years**

(21) Appl. No.: **29/502,972**

Primary Examiner — Cathron Brooks

(22) Filed: **Sep. 22, 2014**

Assistant Examiner — Teddy Falloway

(51) **LOC (10) Cl.** **06-07**

(74) *Attorney, Agent, or Firm* — Christine M. Cooper

(52) **U.S. Cl.**
USPC **D6/303**

(57) **CLAIM**

(58) **Field of Classification Search**
CPC A63B 63/004; G09F 1/10
USPC D6/300–312; D11/132, 133, 143;
D21/318, 339, 355, 698, 699, 705, 710,
D21/727, 328, 357, 788; 473/438, 446
See application file for complete search history.

The ornamental design for a football helmet shadowbox, as shown and described.

DESCRIPTION

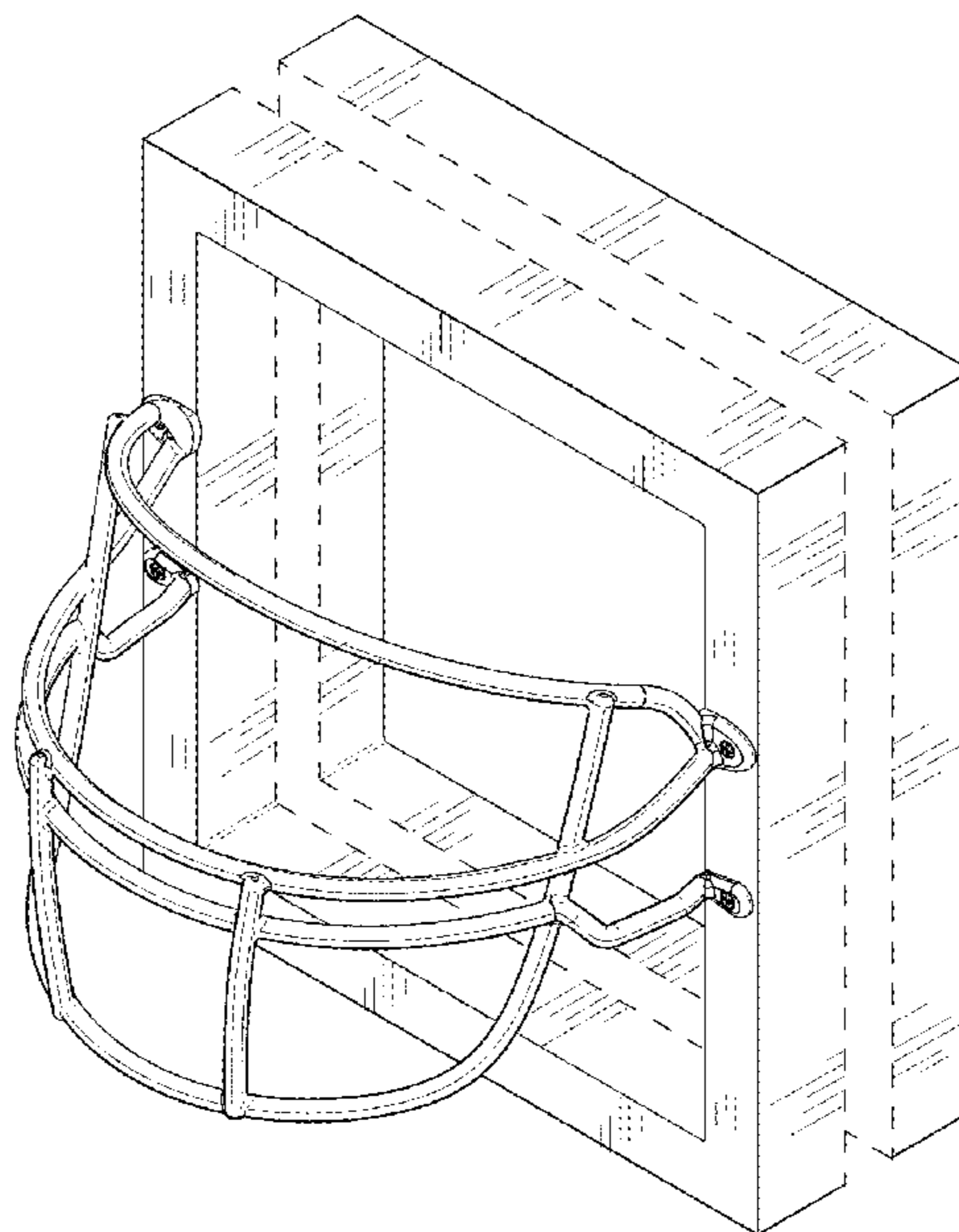
(56) **References Cited**

U.S. PATENT DOCUMENTS

4,726,133 A * 2/1988 Rainone et al. 40/780
D307,268 S * 4/1990 Lee D14/126
D360,056 S * 7/1995 Tamez D28/67
D396,561 S * 8/1998 Gregory
D406,922 S * 3/1999 Darbutas D30/111
5,896,632 A * 4/1999 Sturino 27/1
D418,293 S * 1/2000 Palmer D3/248
D530,456 S * 10/2006 Taylor et al. D30/111
D587,463 S * 3/2009 Franco et al. D6/300
D654,703 S * 2/2012 LeMay D6/300

FIG. 1 is a front perspective view of a shadowbox incorporating the new design in full lines, with the broken lines showing a symbolic break in the shadowbox depth. The appearance of any portion of the article between the broken lines forms no part of the claimed design.
FIG. 2 is a front elevational view thereof;
FIG. 3 is a rear elevational view thereof;
FIG. 4 is a right side elevational view thereof in full lines and the symbolic break shown in broken lines;
FIG. 5 is a top plan view thereof in full lines and the symbolic break shown in broken lines; and,
FIG. 6 is a bottom plan view thereof in full lines and the symbolic break shown in broken lines.

1 Claim, 3 Drawing Sheets



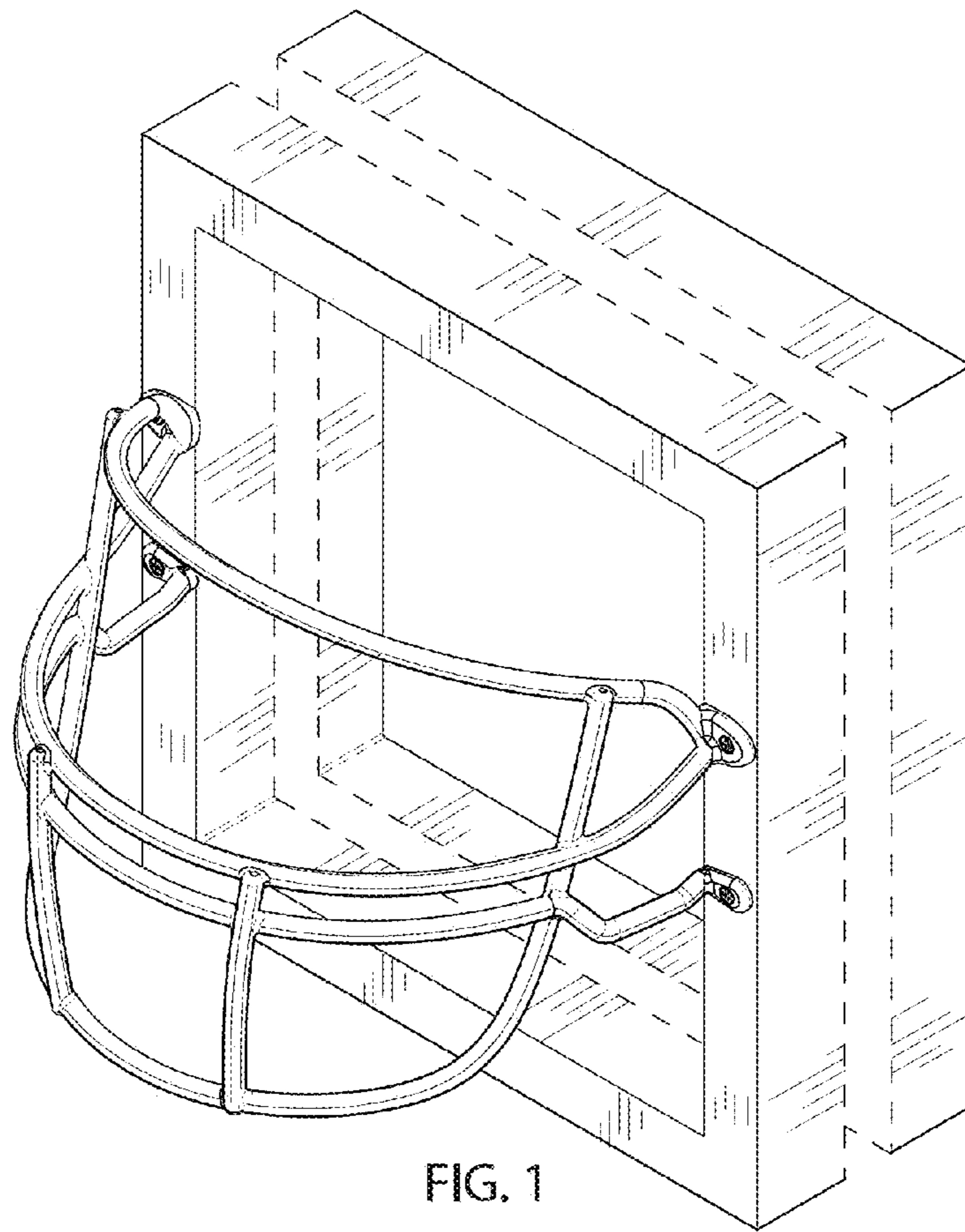


FIG. 1

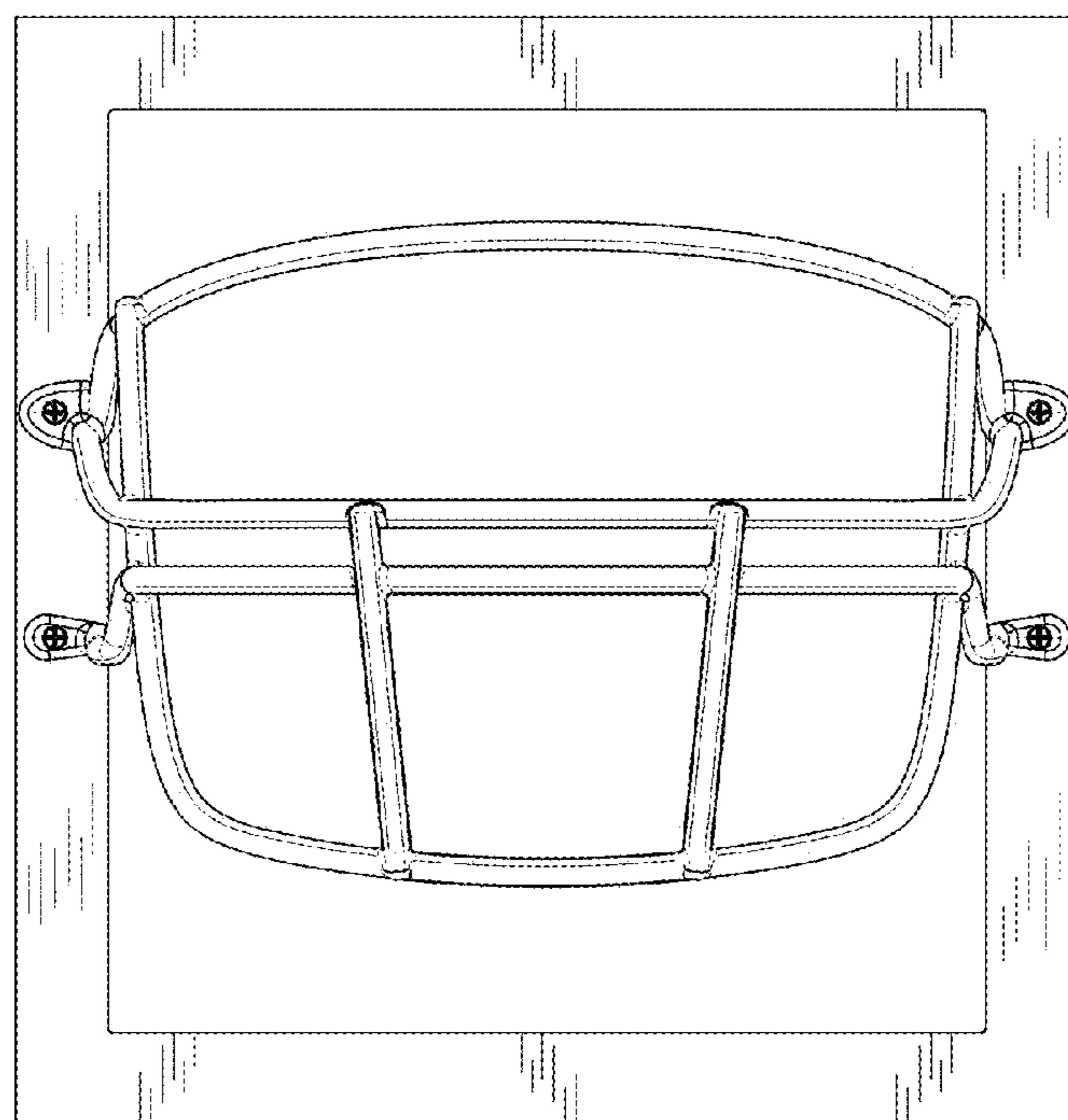


FIG. 2

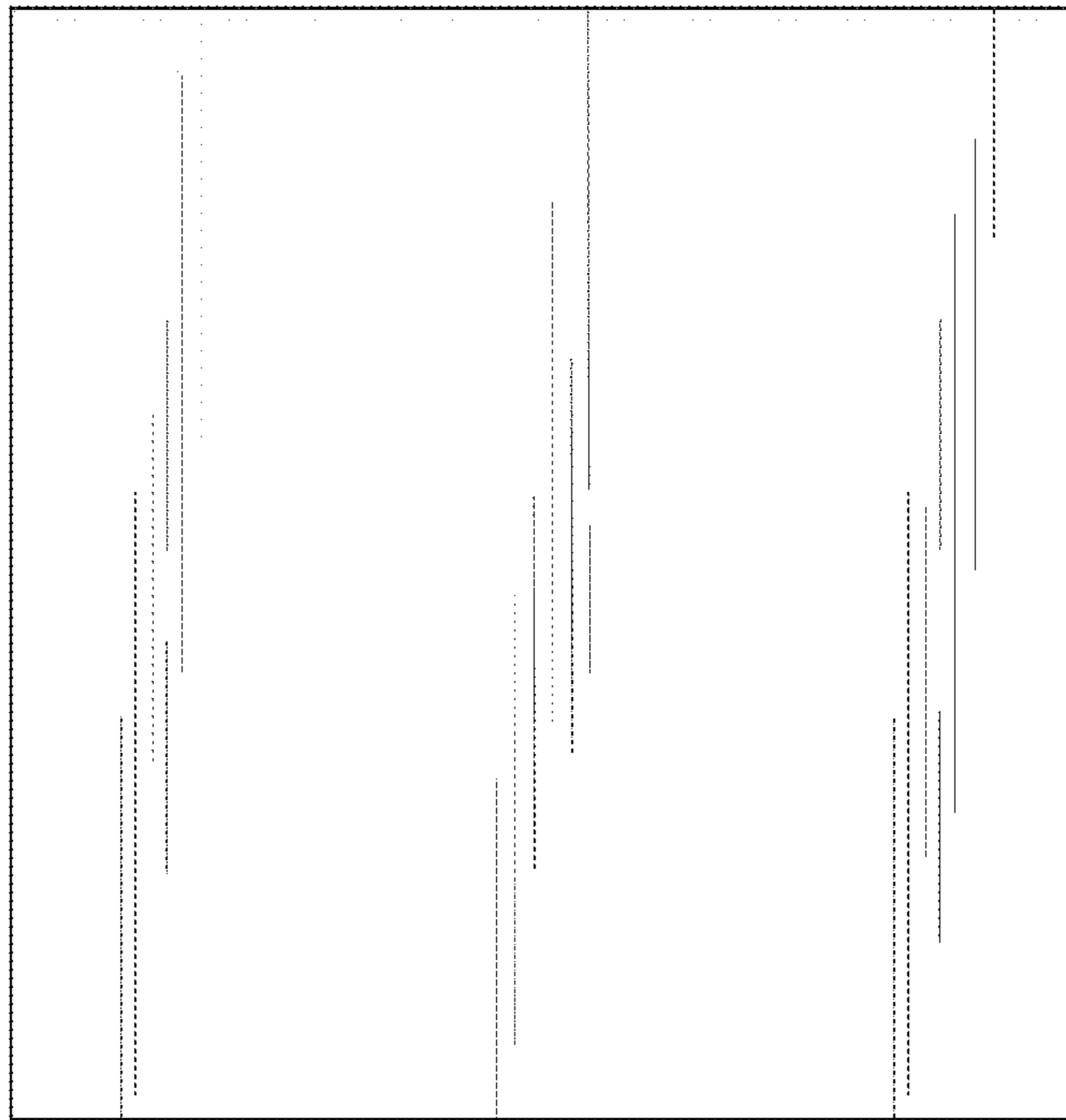


FIG. 3

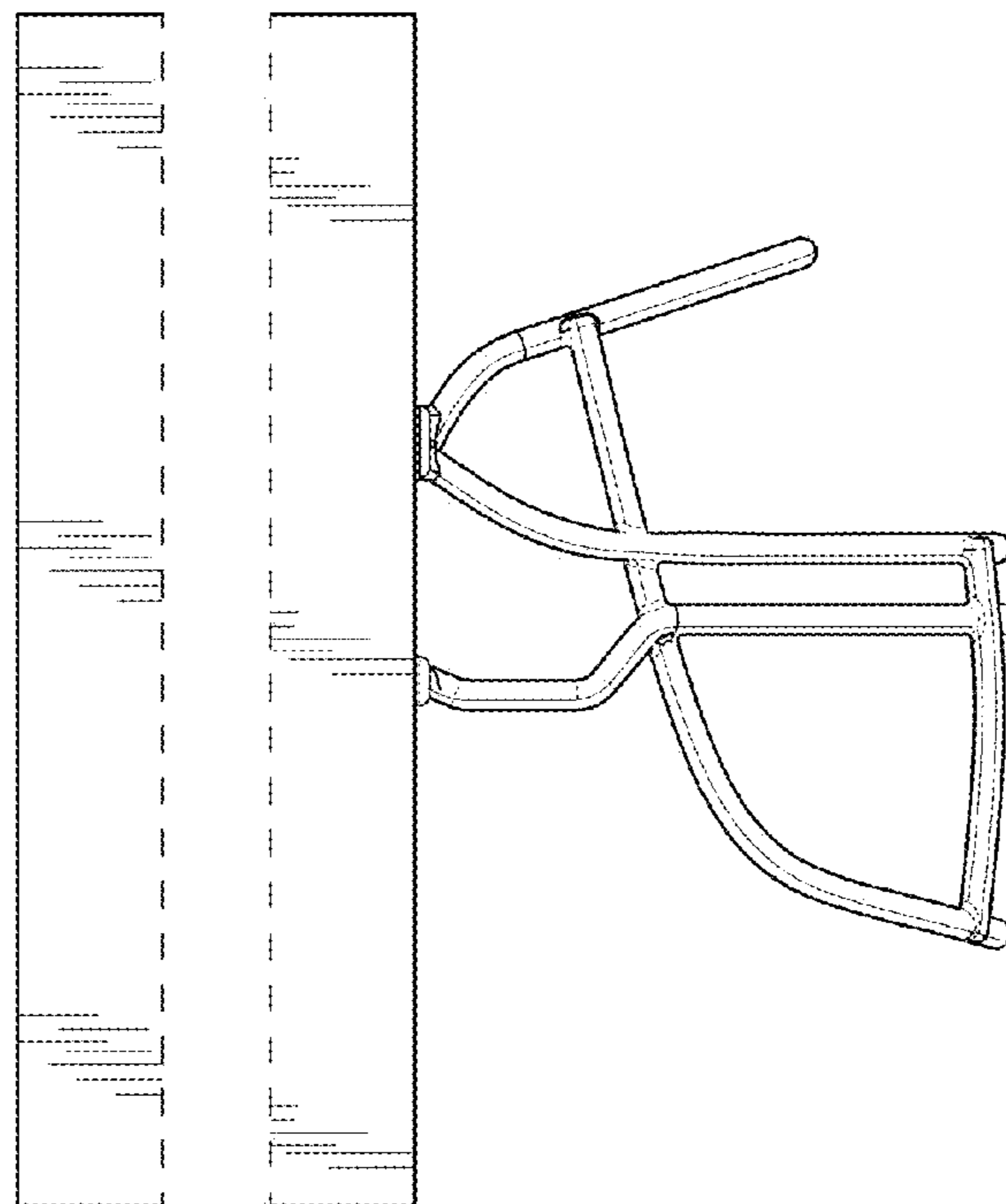


FIG. 4

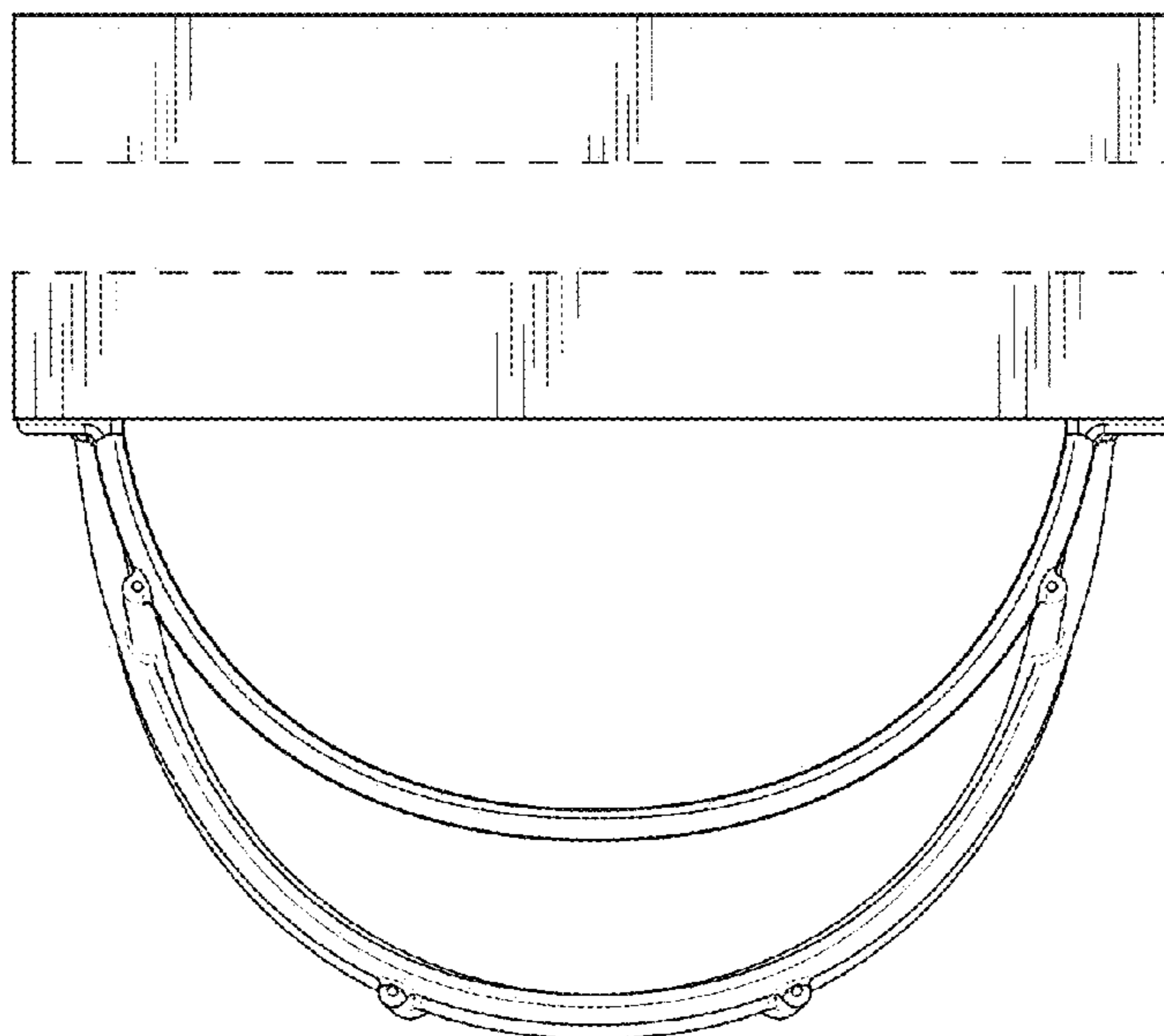


FIG. 5

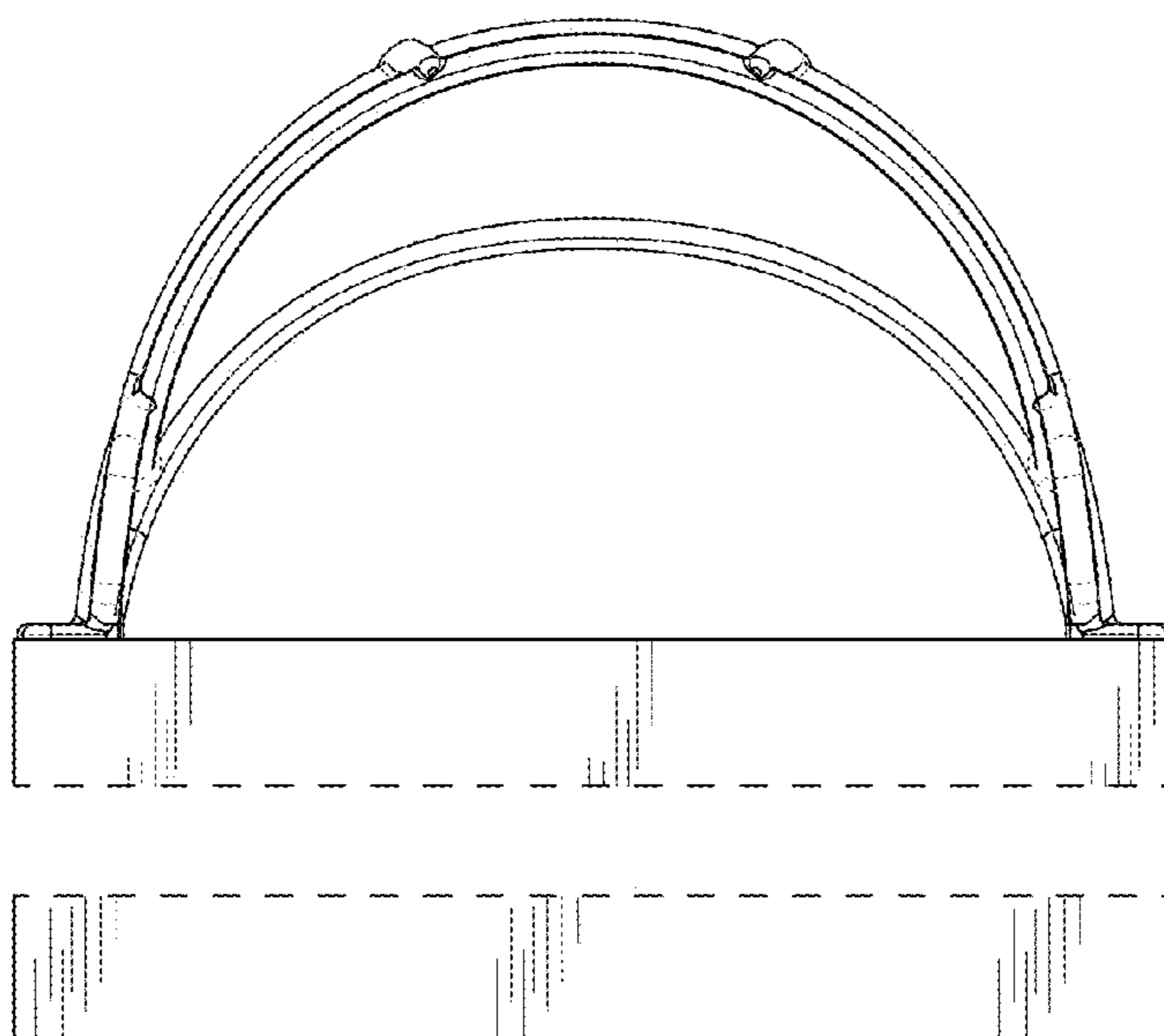


FIG. 6