



US00D725391S

(12) **United States Design Patent**
Valois

(10) **Patent No.:** **US D725,391 S**
(45) **Date of Patent:** **** Mar. 31, 2015**

(54) **PICTURE FRAMING STRUCTURE**

(71) Applicant: **Richard Valois**, Sandy, UT (US)
(72) Inventor: **Richard Valois**, Sandy, UT (US)
(73) Assignee: **Richard Valois**, Centennial, CO (US)

(**) Term: **14 Years**

(21) Appl. No.: **29/438,059**

(22) Filed: **Nov. 26, 2012**

(51) **LOC (10) Cl.** **06-07**

(52) **U.S. Cl.**
USPC **D6/300; D6/382**

(58) **Field of Classification Search**
CPC A47G 1/06; A47G 1/0638; A47G 1/065;
A47G 1/0688
USPC D6/300, 319, 320, 325, 328, 332, 567;
D8/37; D20/39; D25/8, 32, 38.2, 41,
D25/42, 61, 64, 68, 126, 133, 156; 40/508,
40/606.01, 606.08, 606.16, 685, 700, 715,
40/761

See application file for complete search history.

(56) **References Cited**

U.S. PATENT DOCUMENTS

224,973	A *	2/1880	Wallis	40/737
975,094	A *	11/1910	Williams	40/700
D47,112	S *	3/1915	Lachman	D25/42
1,506,215	A *	8/1924	Beshgetoor	40/760
D246,470	S *	11/1977	Sato	D25/118
4,115,938	A *	9/1978	Belmuth et al.	40/730
4,145,827	A *	3/1979	Katsufakis	40/729
D266,380	S *	10/1982	Ploeger	D6/300
4,385,459	A *	5/1983	McGrath et al.	40/730
D402,044	S *	12/1998	DeBlock et al.	D25/61
D435,351	S *	12/2000	Kuo et al.	D6/300

(Continued)

FOREIGN PATENT DOCUMENTS

CN	302757276	*	3/2014
GB	2066244	*	9/1997

OTHER PUBLICATIONS

Modern Wall Shelf: announced online [Oct. 1, 2011]. [site visited Nov. 4, 2014]. Available from Internet URL:<http://www.houzz.com/photos/modern/wall-shelves> <http://web.archive.org/web/20110215000000/http://www.houzz.com/photos/modern/wall-shelves>.*

Primary Examiner — Cathron Brooks
Assistant Examiner — Catherine Posthauer

(74) *Attorney, Agent, or Firm* — Neugeboren O'Dowd PC

(57) **CLAIM**

The ornamental design for a picture framing structure, as shown and described.

DESCRIPTION

FIG. 1 is an isometric front view of a picture framing structure.

FIG. 2 is a front view of the picture framing structure shown in FIG. 1.

FIG. 3 is a rear view of the picture framing structure shown in FIG. 1.

FIG. 4 is a side view of the picture framing structure shown in FIG. 1.

FIG. 5 is a side view of the picture framing structure shown in FIG. 1.

FIG. 6 is a top view of the picture framing structure shown in FIG. 1.

FIG. 7 is a bottom view of the picture framing structure shown in FIG. 1.

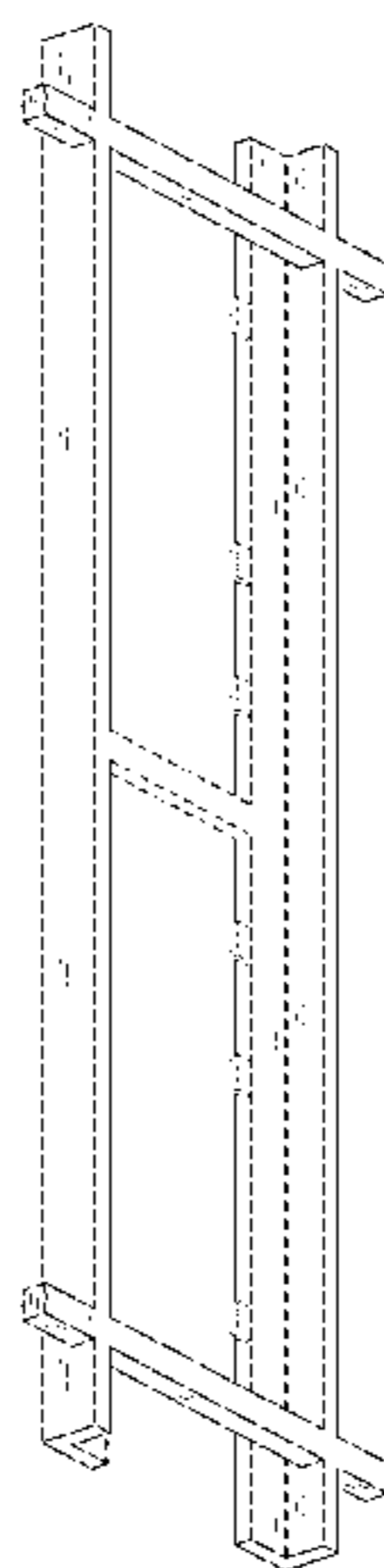
FIG. 8 is an isometric front view of a second embodiment of a picture framing structure.

FIG. 9 is a front view of the picture framing structure shown in FIG. 8; and,

FIG. 10 is a rear view of the picture framing structure shown in FIG. 8.

The broken lines showing portions of the picture framing structure form no part of the claimed design.

1 Claim, 6 Drawing Sheets



(56)

References Cited

U.S. PATENT DOCUMENTS

D514,822 S *	2/2006	Robertson	D6/300	7,934,331 B2 *	5/2011	Zlotocha	40/735
7,412,792 B2 *	8/2008	Hale	40/791	D714,464 S *	9/2014	Dunlap et al.	D25/64
D628,814 S *	12/2010	Dugas	D6/300	2014/0109450 A1 *	4/2014	Valois	40/711

* cited by examiner

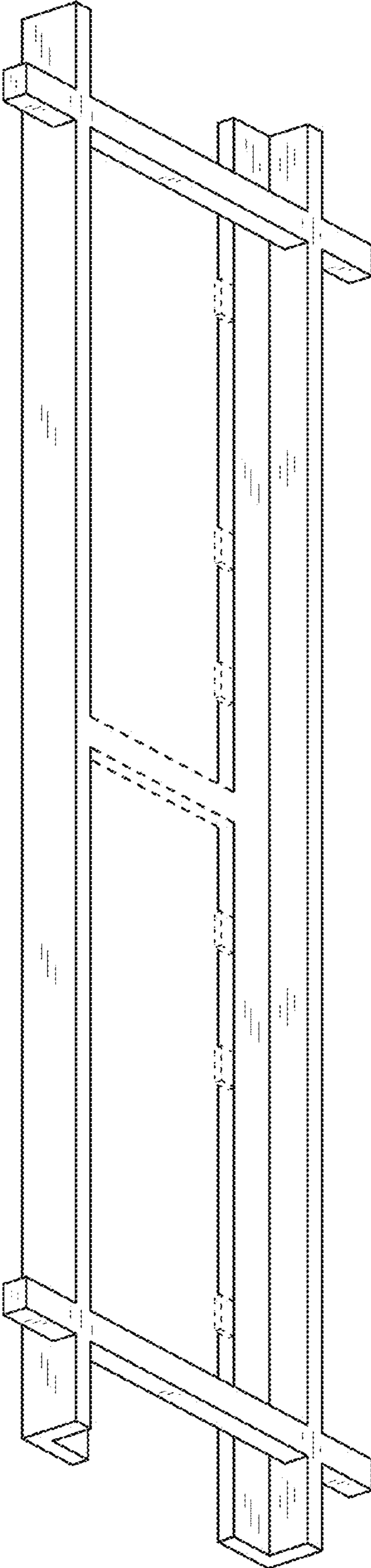


FIG.1

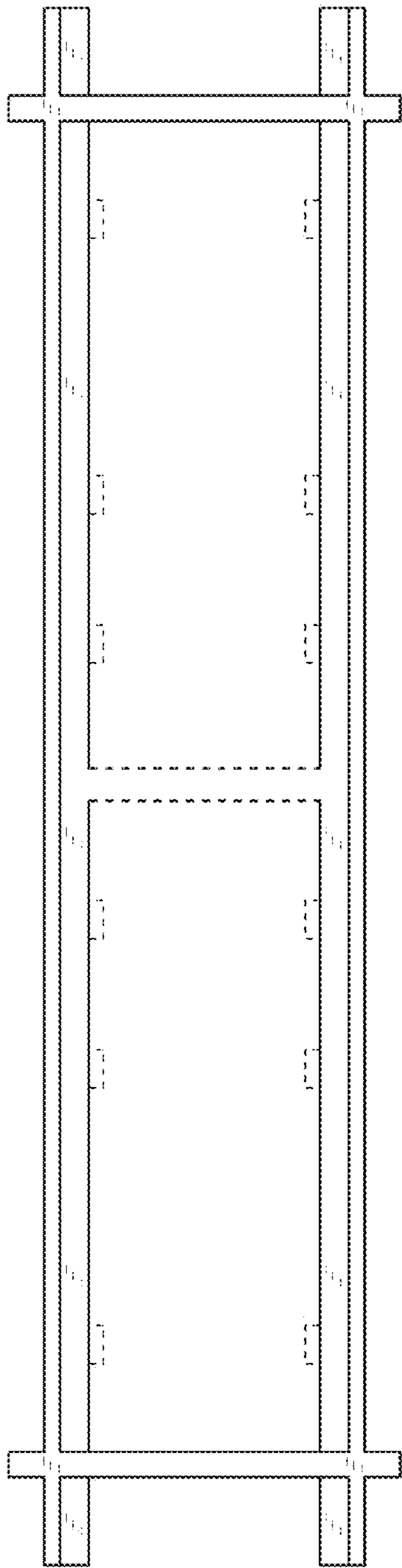


FIG. 2

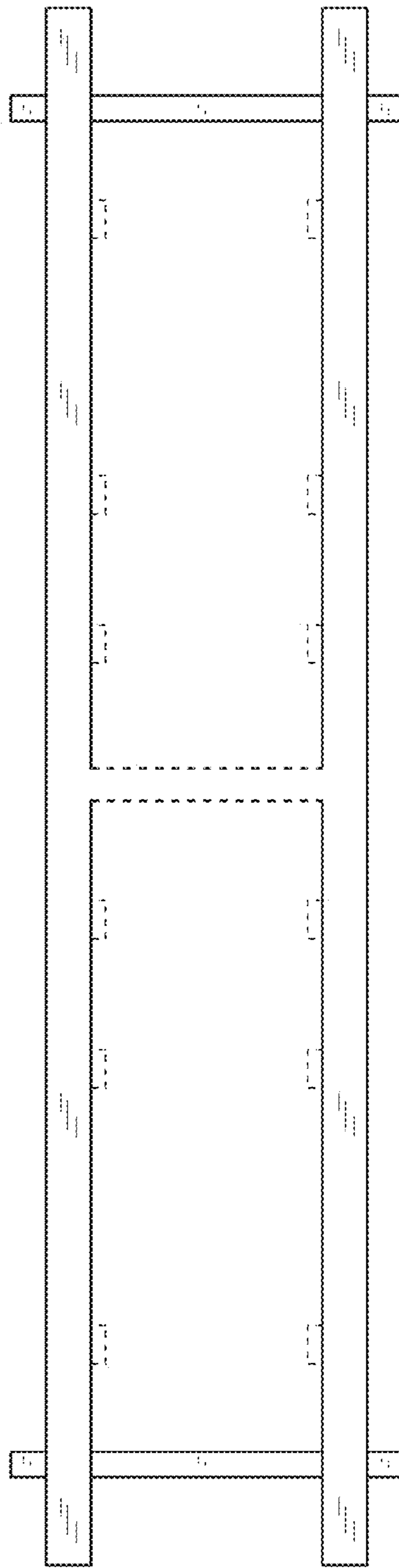


FIG. 3



FIG.4



FIG.5



FIG. 6



FIG. 7

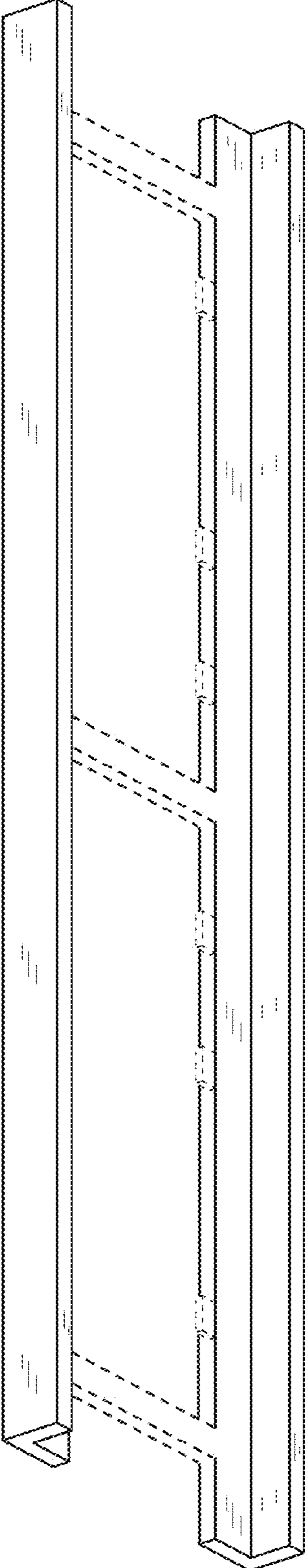


FIG.8

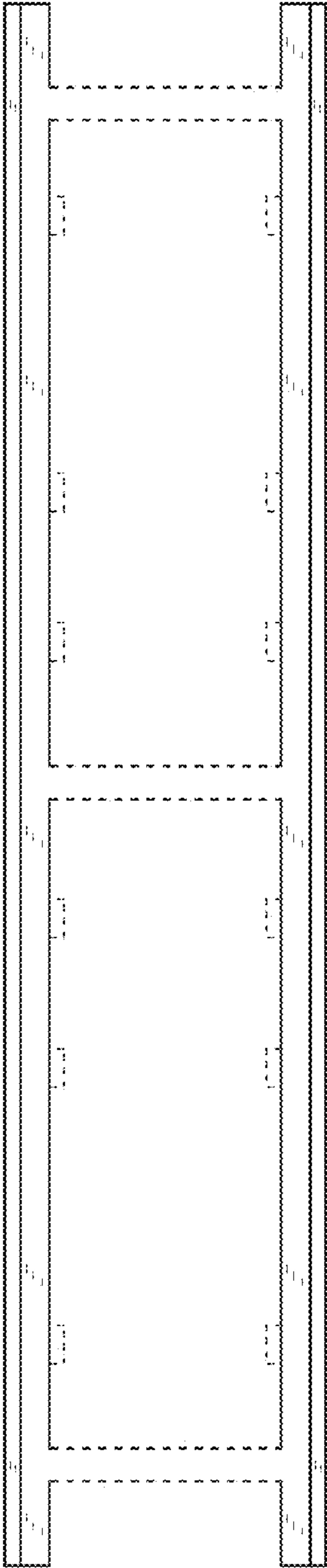


FIG. 9

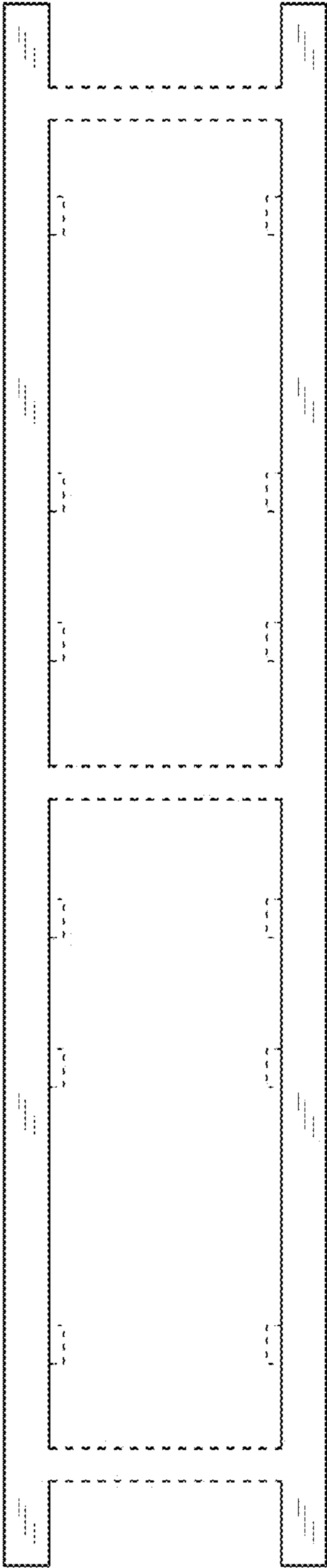


FIG. 10