



US00D725387S

(12) **United States Design Patent**
Masalin et al.

(10) **Patent No.:** **US D725,387 S**
(45) **Date of Patent:** **** Mar. 31, 2015**

(54) **BOX**
(71) Applicant: **Fiskars Brands Finland Oy AB**, Billnäs (FI)
(72) Inventors: **Petteri Masalin**, Helsinki (FI); **Vesa Korjus**, Lahti (FI); **Jouni Salojärvi**, Helsinki (FI); **Egon Missik**, Lahti (FI); **Pirkka Haimi**, Lahti (FI)
(73) Assignee: **Fiskars Brands Finland Oy AB**, Billnas (FI)

5,392,945 A * 2/1995 Syrek 220/608
5,862,935 A * 1/1999 Dubois et al. 220/281
6,065,626 A * 5/2000 Huang et al. 220/254.5
7,464,831 B2 * 12/2008 Aiken 220/801
D645,248 S * 9/2011 Osiecki et al. D3/276
D701,044 S * 3/2014 Kishimoto D3/272
8,714,394 B2 * 5/2014 Wulf 220/326
2008/0073367 A1 * 3/2008 Chuang 220/786
2011/0163099 A1 * 7/2011 DiPietro et al. 220/324
2012/0267369 A1 * 10/2012 Duvigneau 220/203.01
2013/0334229 A1 * 12/2013 McCanless 220/324

(**) Term: **14 Years**

* cited by examiner
Primary Examiner — Jennifer Rivard
(74) *Attorney, Agent, or Firm* — Foley & Lardner LLP

(21) Appl. No.: **29/440,360**

(22) Filed: **Dec. 20, 2012**

(30) **Foreign Application Priority Data**

Jul. 2, 2012 (EM) 002066605-0001

(51) **LOC (10) Cl.** **03-01**

(52) **U.S. Cl.**
USPC **D3/276; D3/302**

(58) **Field of Classification Search**
USPC D3/272, 273, 276, 302; 206/508;
220/684, 686, 212.5, 352, 305, 793,
220/318, 319, 324, 326
See application file for complete search history.

(56) **References Cited**

U.S. PATENT DOCUMENTS

5,377,858 A * 1/1995 Morris, Sr. 220/254.8
5,390,811 A * 2/1995 Ogino et al. 220/326

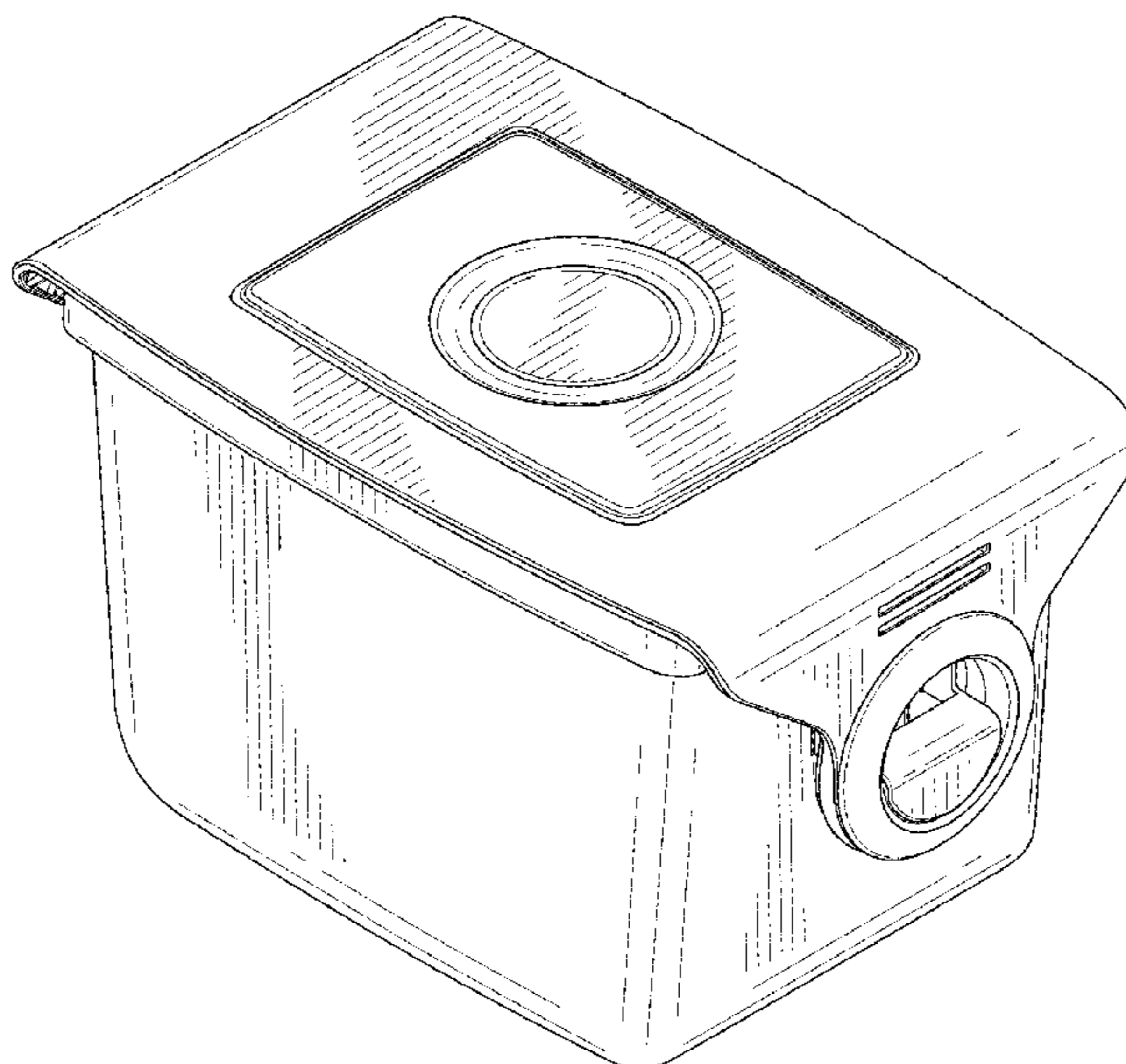
(57) **CLAIM**

We claim the ornamental design for a box, as shown and described.

DESCRIPTION

FIG. 1 is a top perspective view of the claimed design;
FIG. 2 is a bottom perspective view of the design of FIG. 1;
FIG. 3 is a front elevation view of the design of FIG. 1;
FIG. 4 is a rear elevation view of the design of FIG. 1;
FIG. 5 is a right side view of the design of FIG. 1, the left side view is a mirror image of the right side view;
FIG. 6 is a top view of the design of FIG. 1; and,
FIG. 7 is a bottom view of the design of FIG. 1.
The ornamental design which is claimed is shown in solid lines in the drawings.

1 Claim, 7 Drawing Sheets



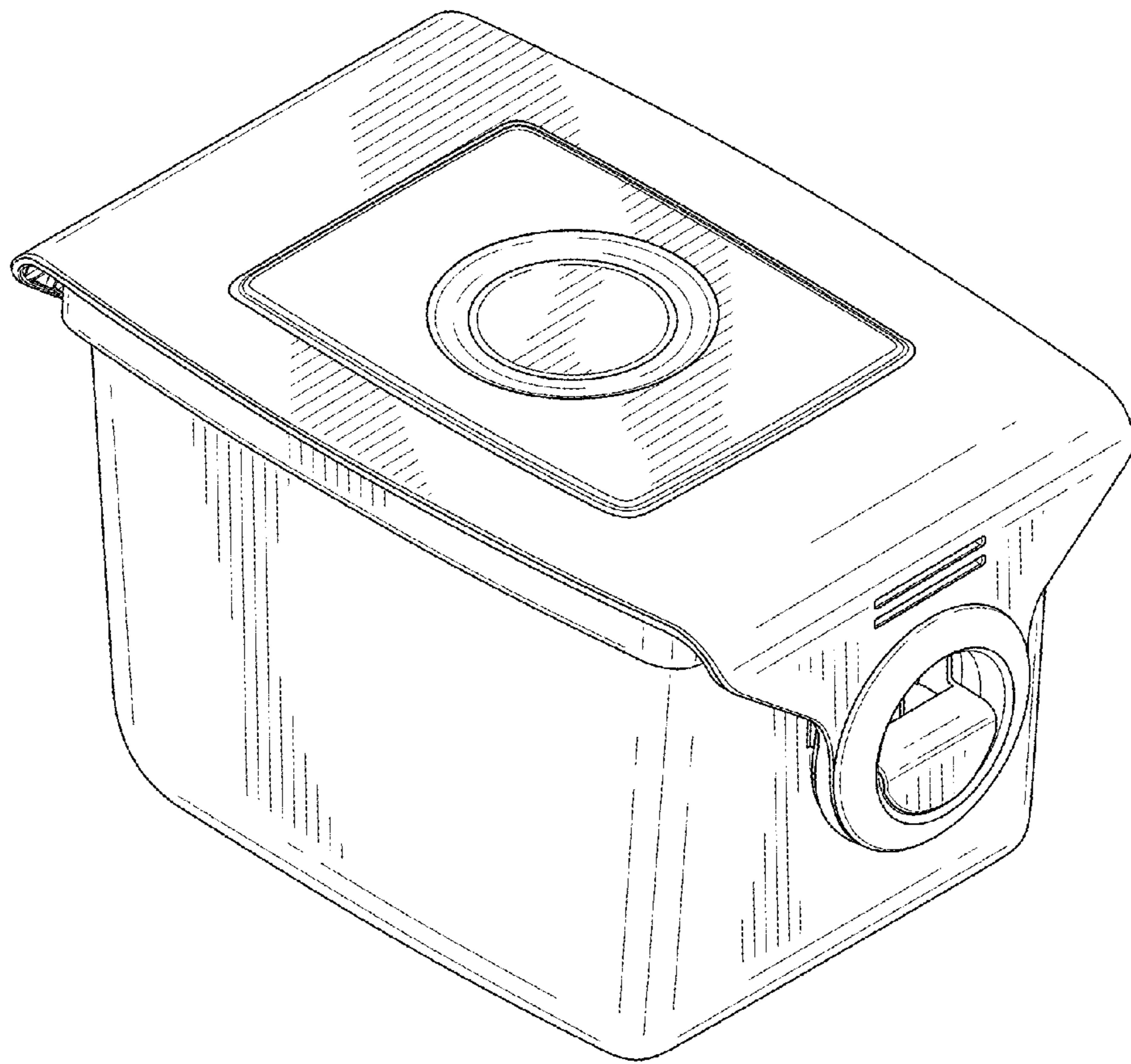


FIG. 1

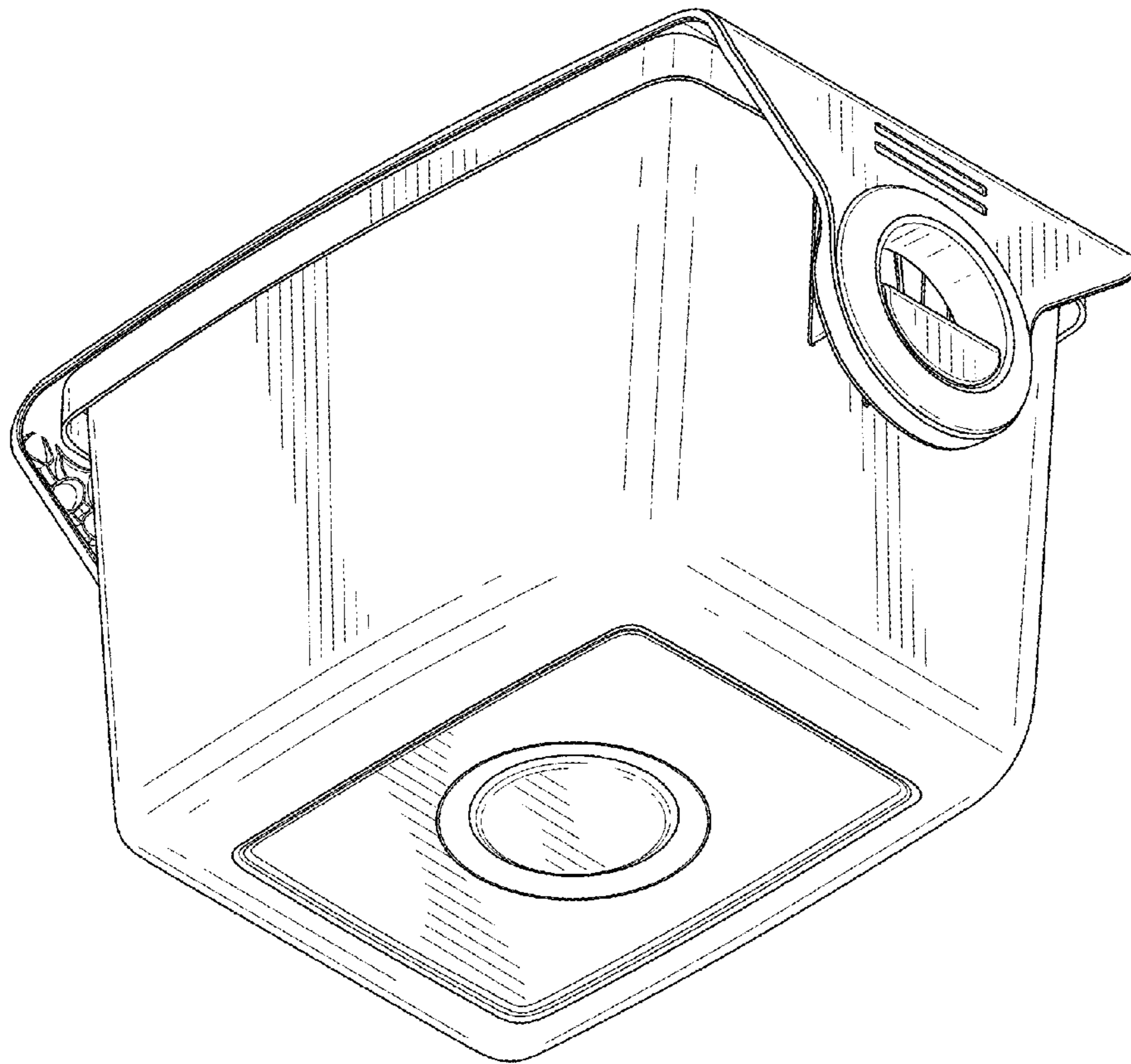


FIG. 2

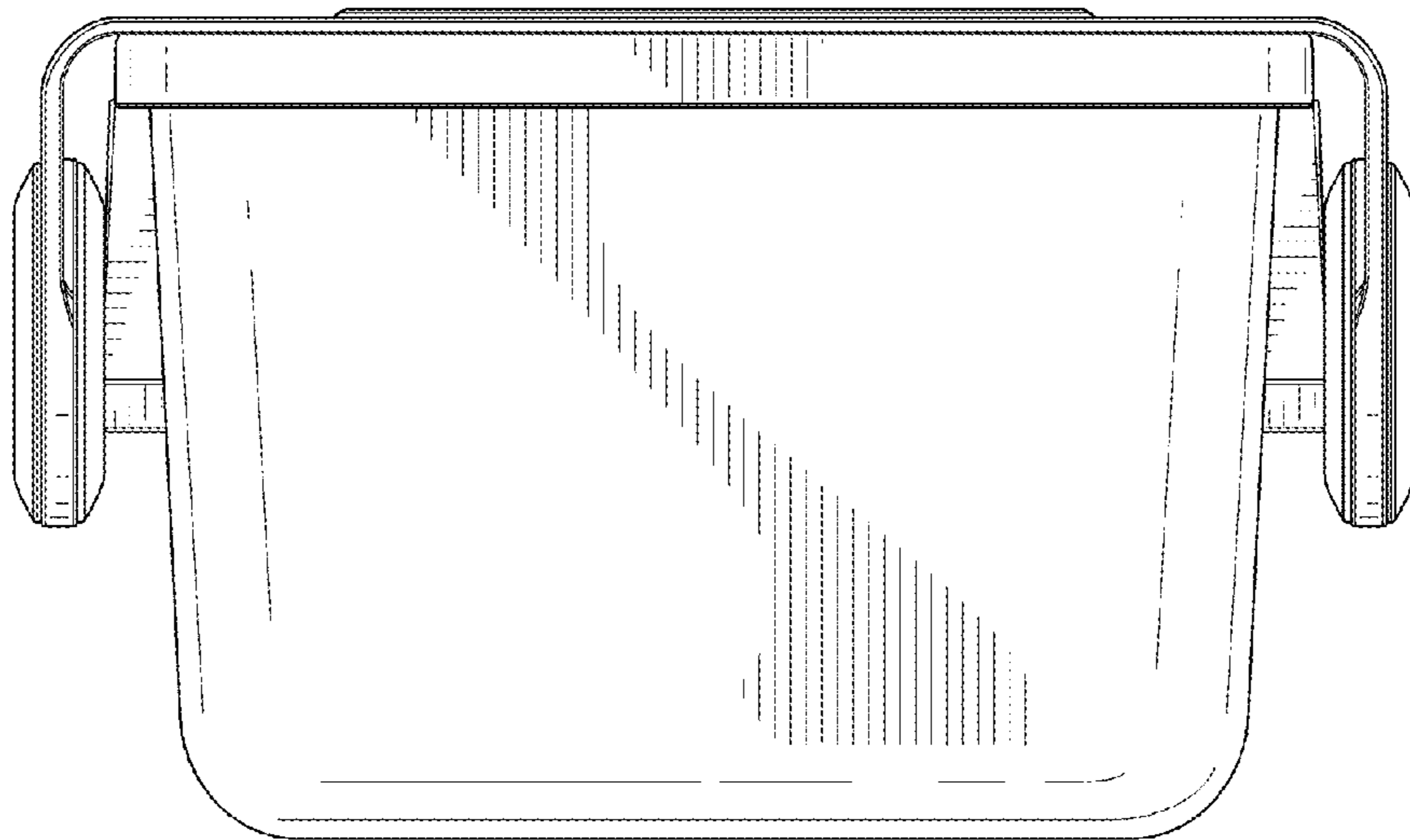


FIG. 3

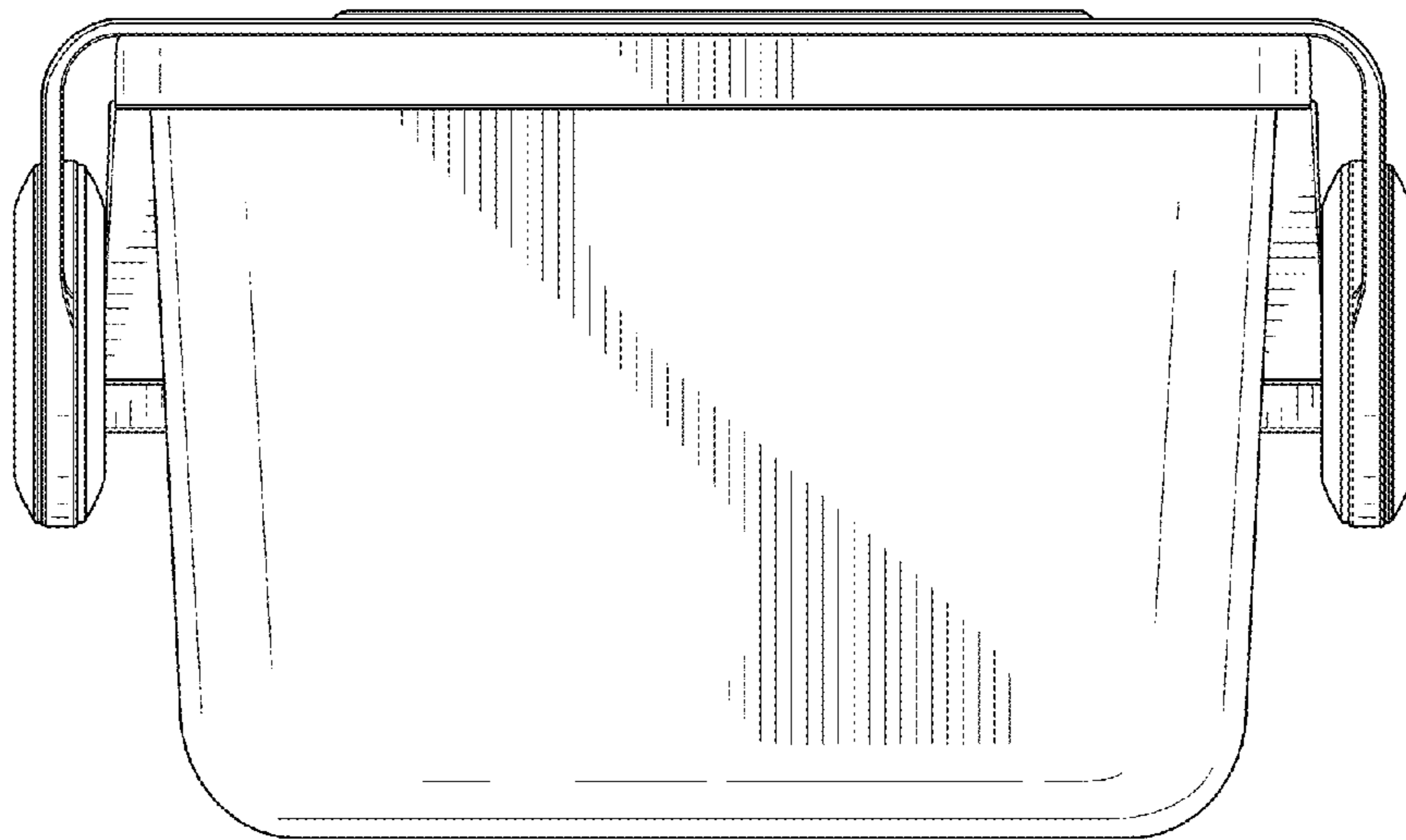


FIG. 4

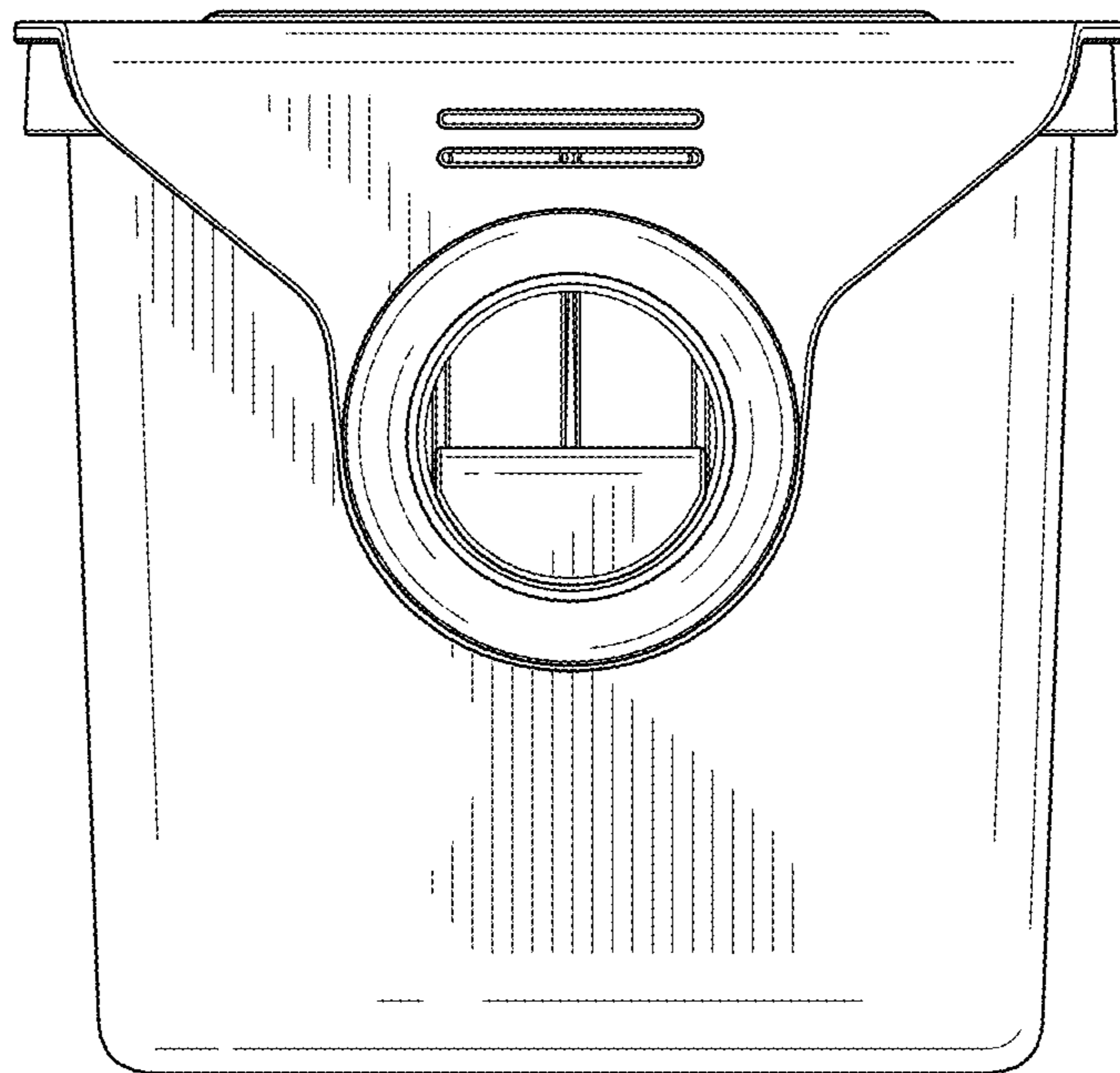


FIG. 5

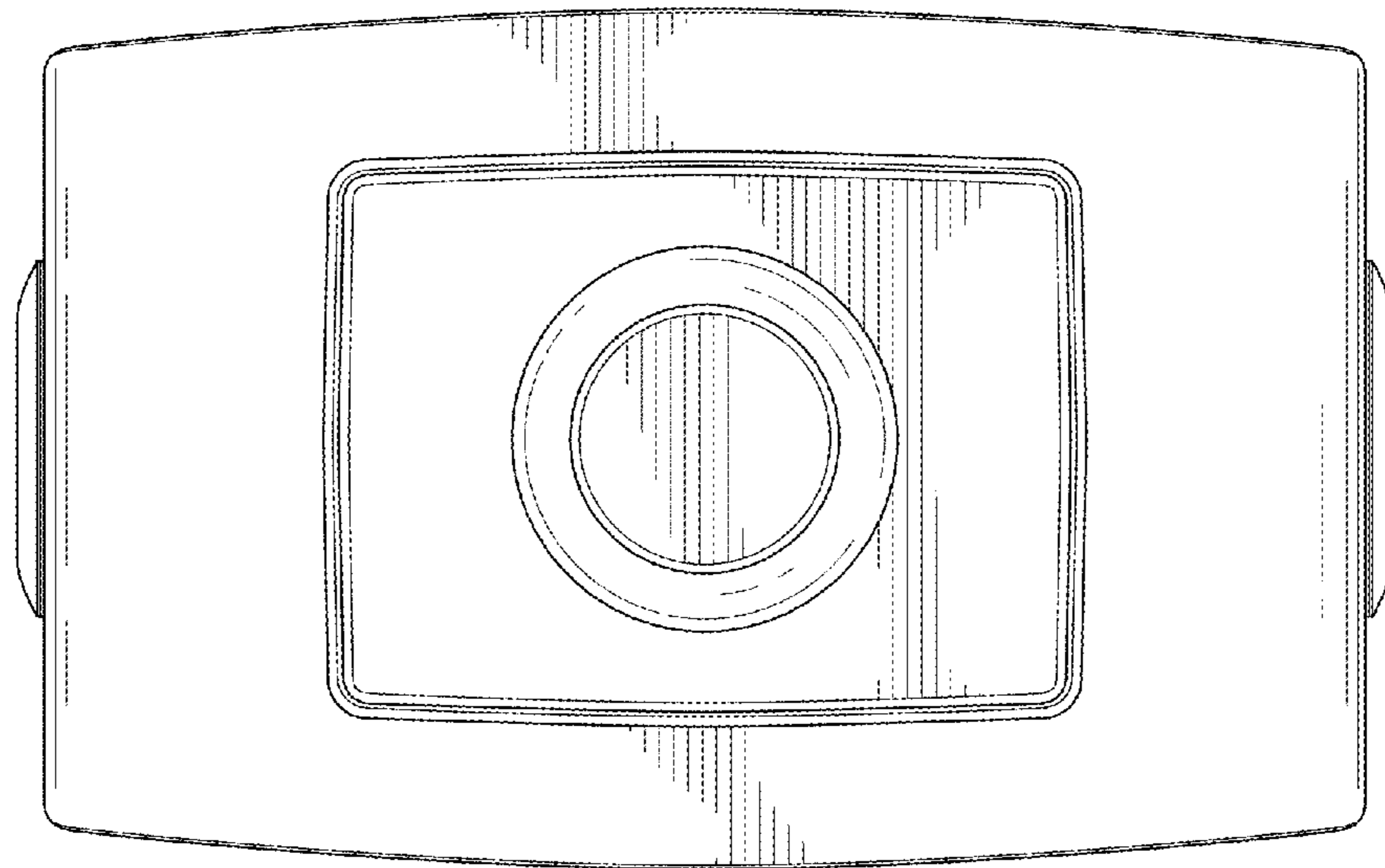


FIG. 6

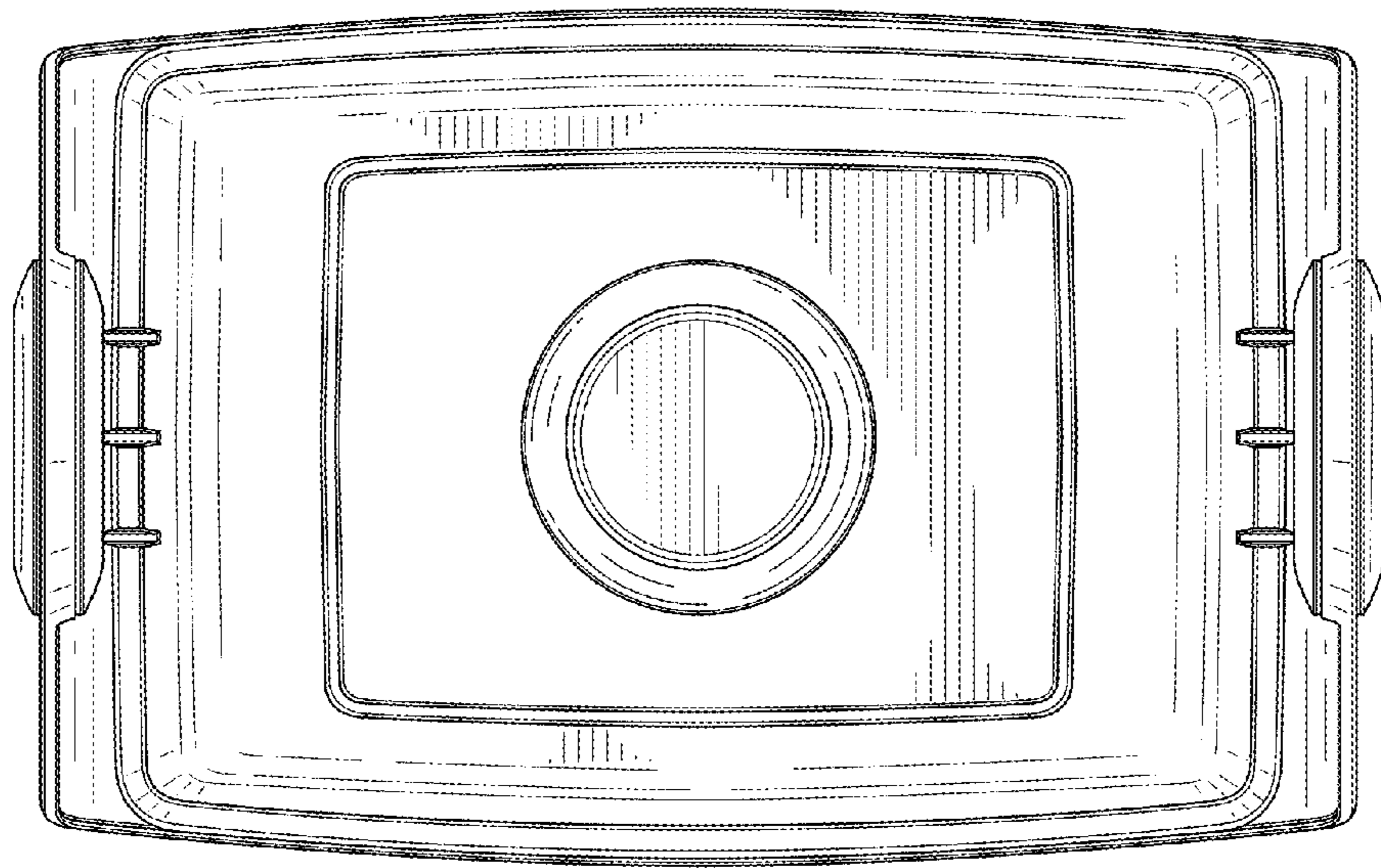


FIG. 7